



US00D359451S

United States Patent [19]

[11] Patent Number: **Des. 359,451**

Dees

[45] Date of Patent: **** Jun. 20, 1995**

[54] BEVERAGE CAN CAP WITH MAGNET

[76] Inventor: **Kent L. Dees**, 8385 Lake Ben Ave., San Diego, Calif. 92119

[**] Term: **14 Years**

[21] Appl. No.: **11,609**

[22] Filed: **Aug. 11, 1993**

[52] U.S. Cl. **D9/443; D9/444; D9/454**

[58] Field of Search **D9/434-435, D9/438-439, 443-444, 445-447, 452, 454; 215/100 A, 255, 298, 307, 317; 220/306, 375**

[56] **References Cited**

U.S. PATENT DOCUMENTS

D. 258,576	3/1981	Smith	D9/452
D. 268,394	3/1983	MacEwen	D9/454
D. 299,009	12/1988	Schneider	D9/454
D. 312,785	12/1990	Tucker	D9/447
D. 319,980	9/1991	Garner	D9/447
2,766,796	10/1956	Tupper	D9/452 X

3,044,610	7/1962	Tupper	D9/438 X
3,269,588	8/1966	Ruekberg	D9/445 X
3,465,906	9/1969	Wagner et al.	D9/443 X
3,473,681	10/1969	Hall, Jr.	D9/439
5,282,874	2/1994	Tsukagoshi	215/307

Primary Examiner—Alan P. Douglas

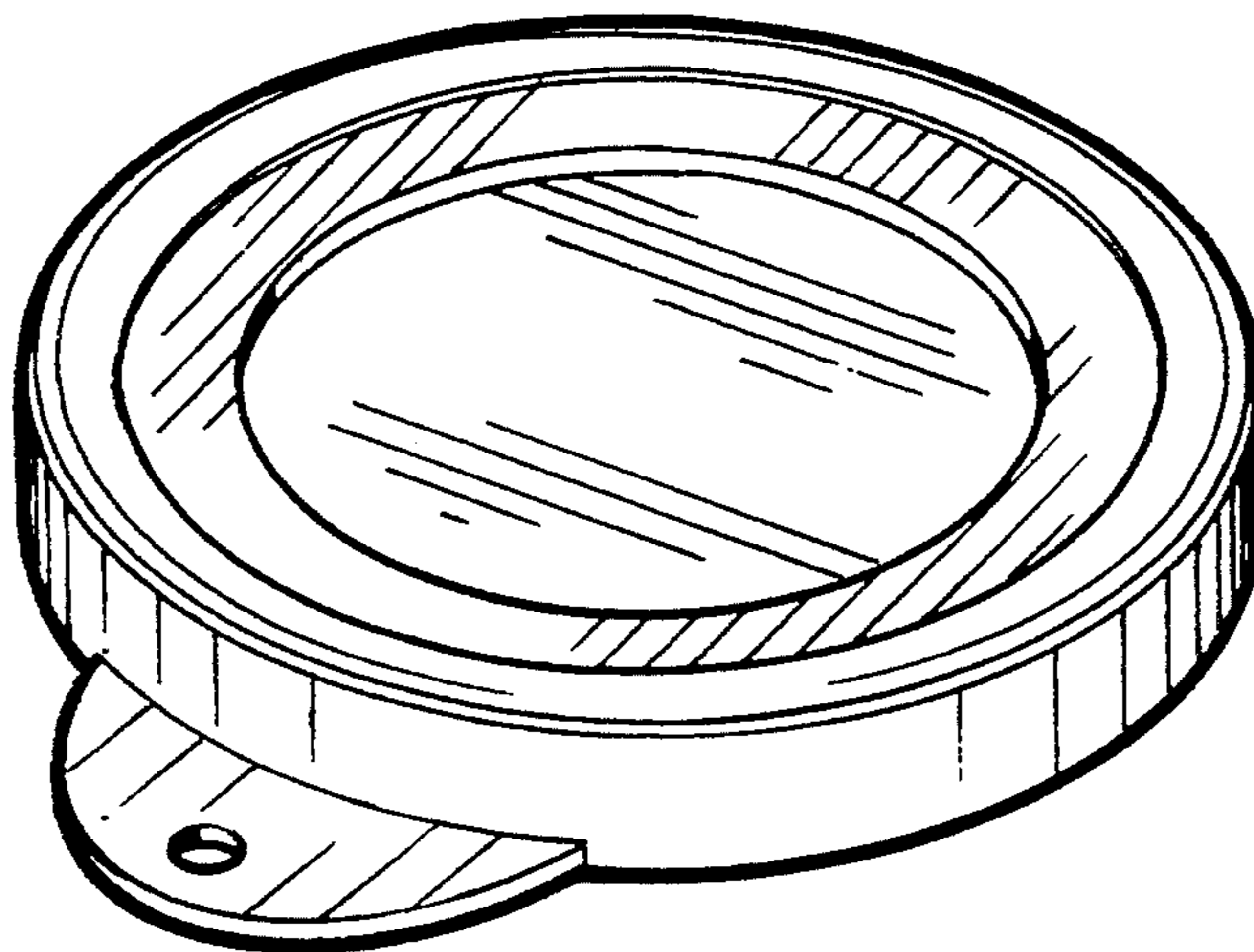
Assistant Examiner—R. Spear

[57] **CLAIM**

The ornamental design for a beverage can cap with magnet, as shown and described.

DESCRIPTION

FIG. 1 is a front perspective view of the novel beverage can cap with magnet showing my new design; FIG. 2 is a bottom perspective view thereof; FIG. 3 is a rear elevation view thereof; FIG. 4 is a top plan view thereof; FIG. 5 is a bottom plan view thereof; FIG. 6 is a left side elevation view thereof and the right side elevation view is identical but reversed; and, FIG. 7 is a vertical cross sectional view thereof, taken along line 7—7 of FIG. 4.



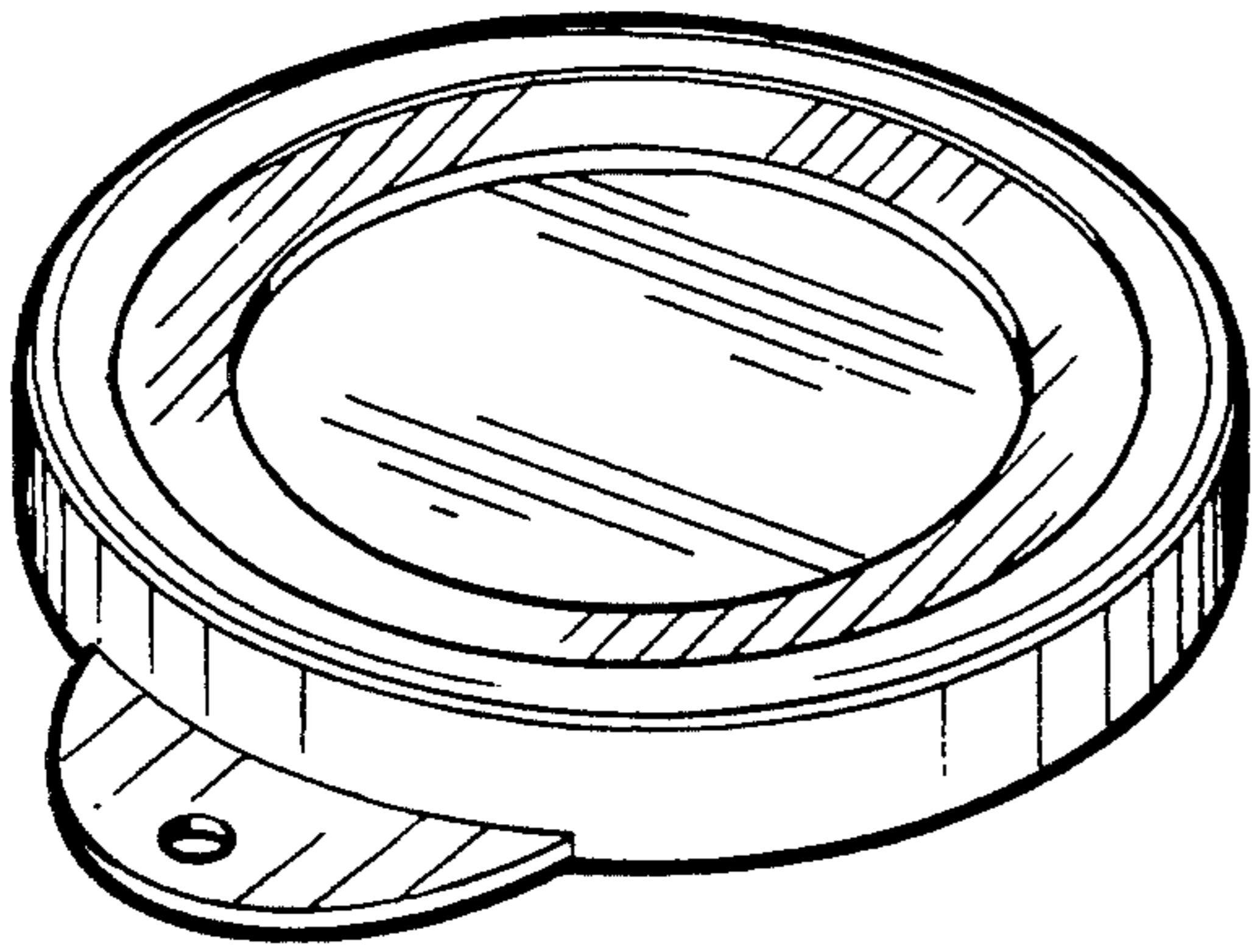


FIGURE 1

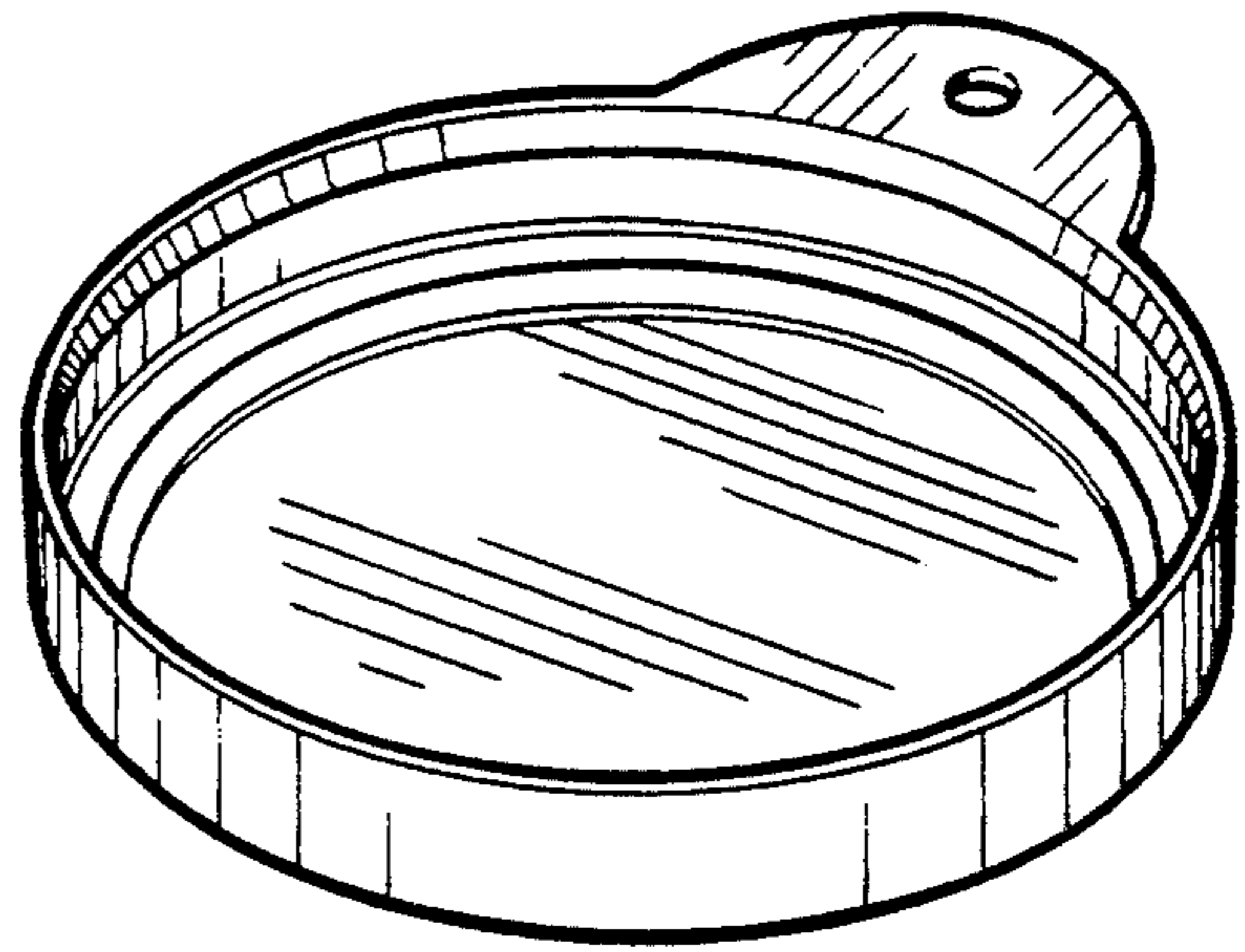


FIGURE 2

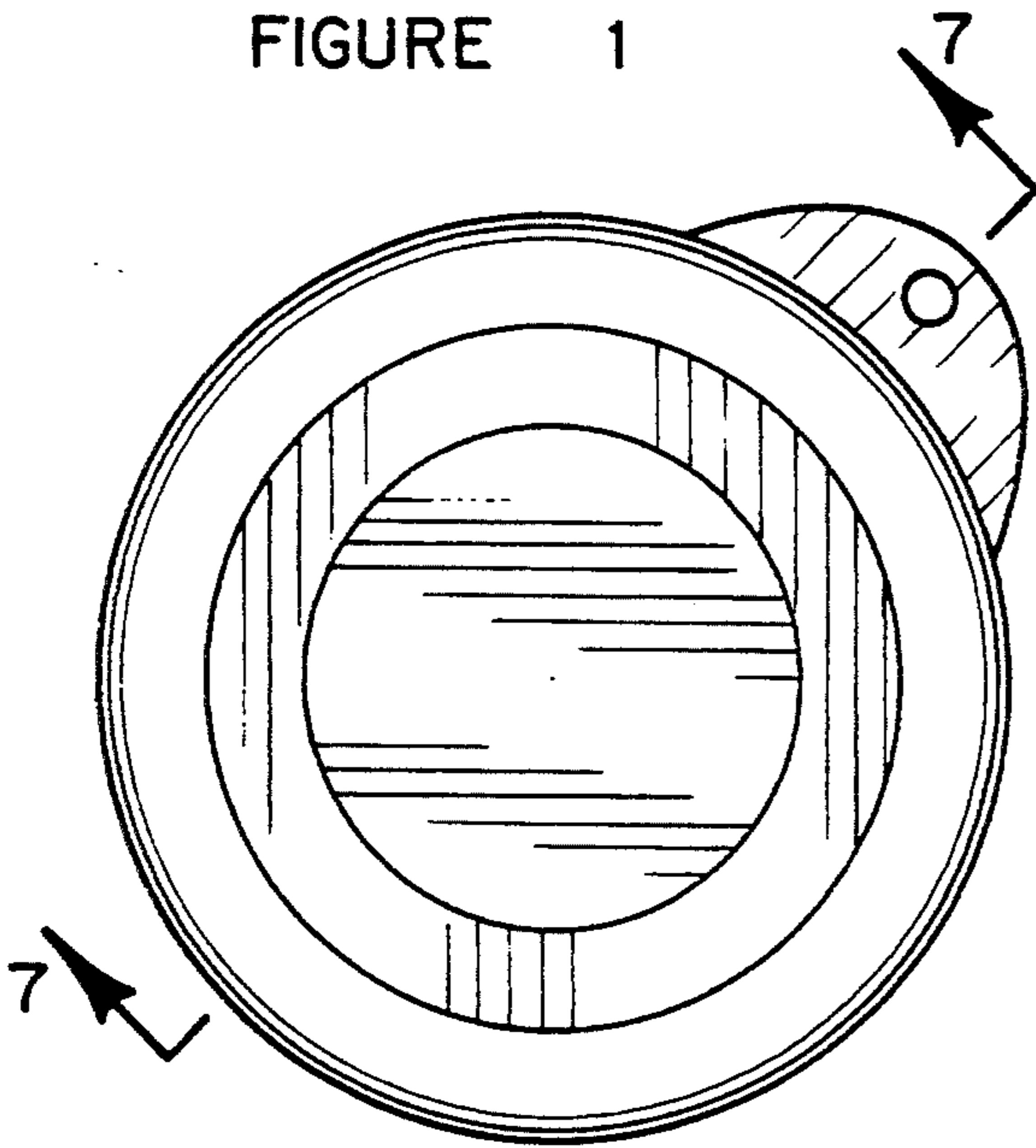


FIGURE 4

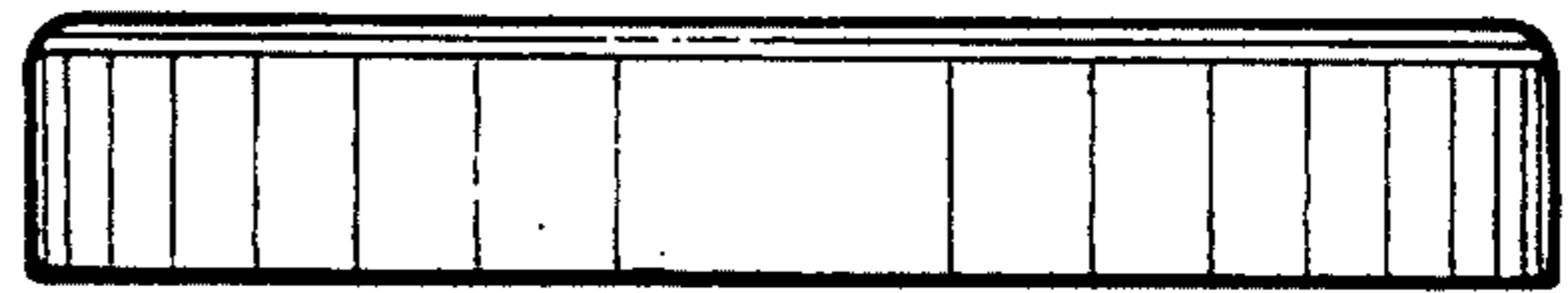


FIGURE 3

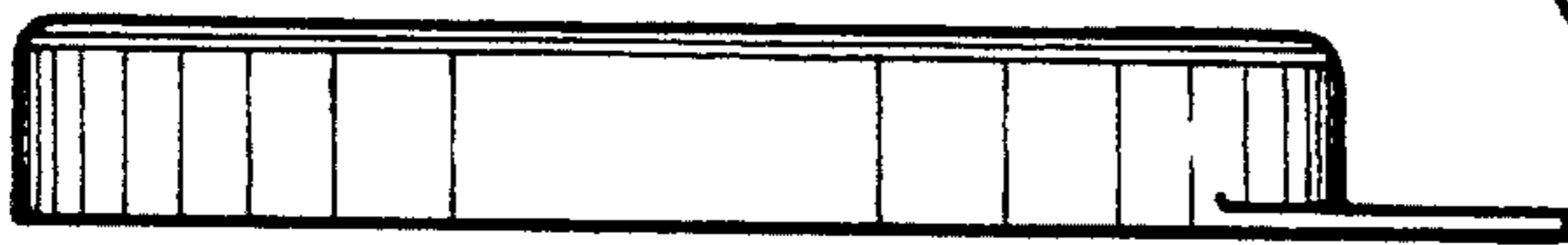


FIGURE 6

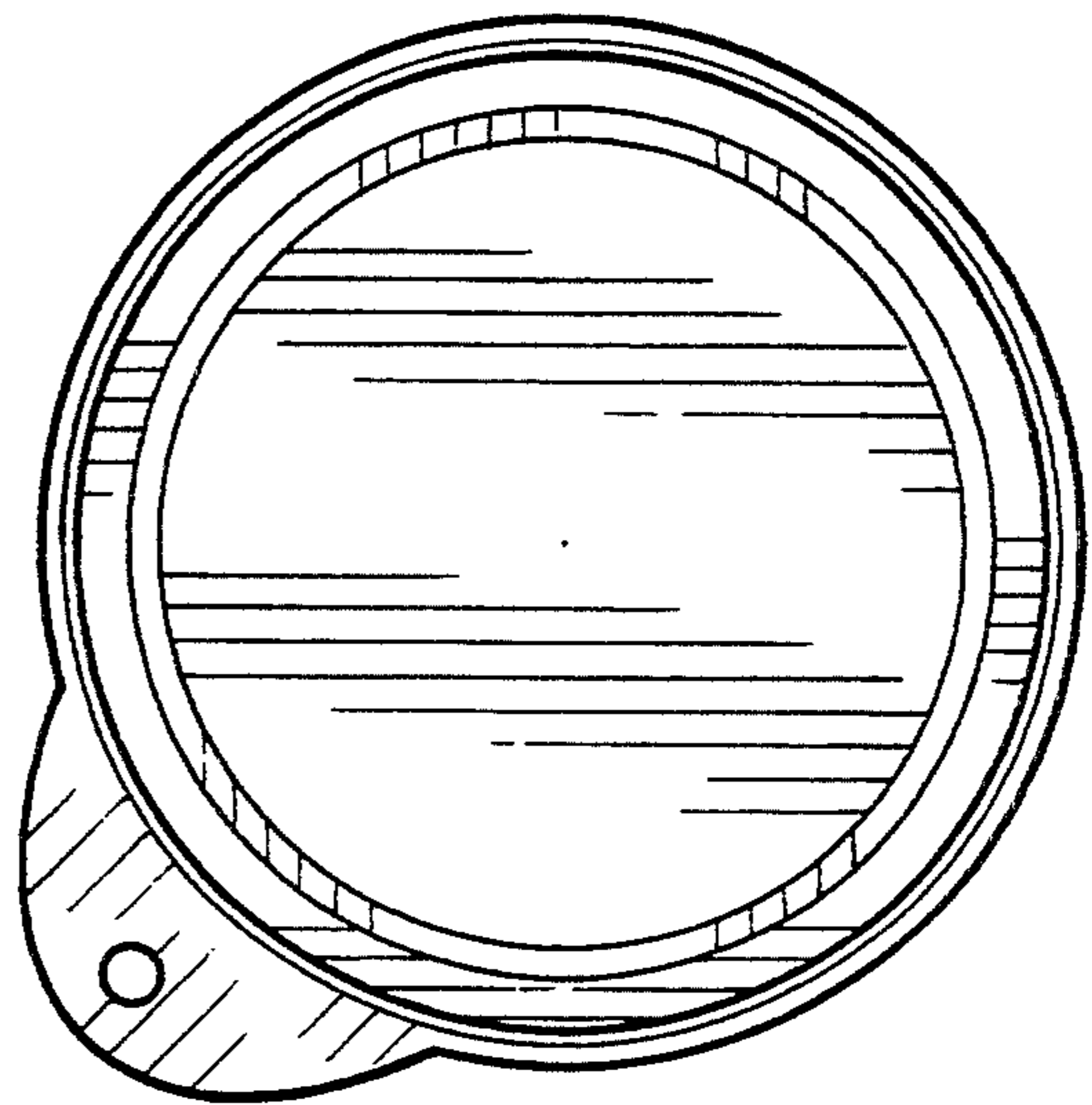


FIGURE 5

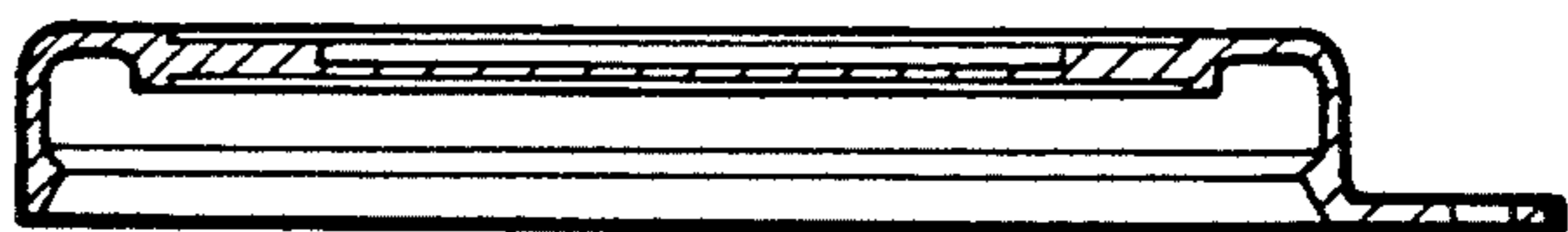


FIGURE 7