



US00D359448S

United States Patent [19]

Aronson

[11] Patent Number: **Des. 359,448**

[45] Date of Patent: **** Jun. 20, 1995**

[54] CONTAINER WITH OPENING LID

5,339,993 8/1994 Groya et al. 220/254 X

[76] Inventor: **Bruce E. Aronson**, 156 Fifth Ave.,
New York, N.Y. 10010

[**] Term: **14 Years**

[21] Appl. No.: **21,758**

[22] Filed: **Apr. 22, 1994**

[52] U.S. Cl. **D9/428; D9/423**

[58] Field of Search **D9/428, 424, 414, 420-423;**
220/254, 244, 334, 376; 206/303, 45.13, 45.15;
D3/901; D28/82

[56] **References Cited**

U.S. PATENT DOCUMENTS

D. 259,473	6/1981	Konya et al.	D9/420
D. 332,396	1/1993	Bell	D9/428 X
4,432,300	2/1984	Lyss	221/91 X
4,572,376	2/1986	Wrennall	206/524 X
4,693,399	9/1987	Hickman et al.	220/254 X
4,711,363	12/1987	Marino	220/254 X
4,982,882	1/1991	Gueret	220/254 X

OTHER PUBLICATIONS

Packaging cat 1959, p. 76, Item #99.

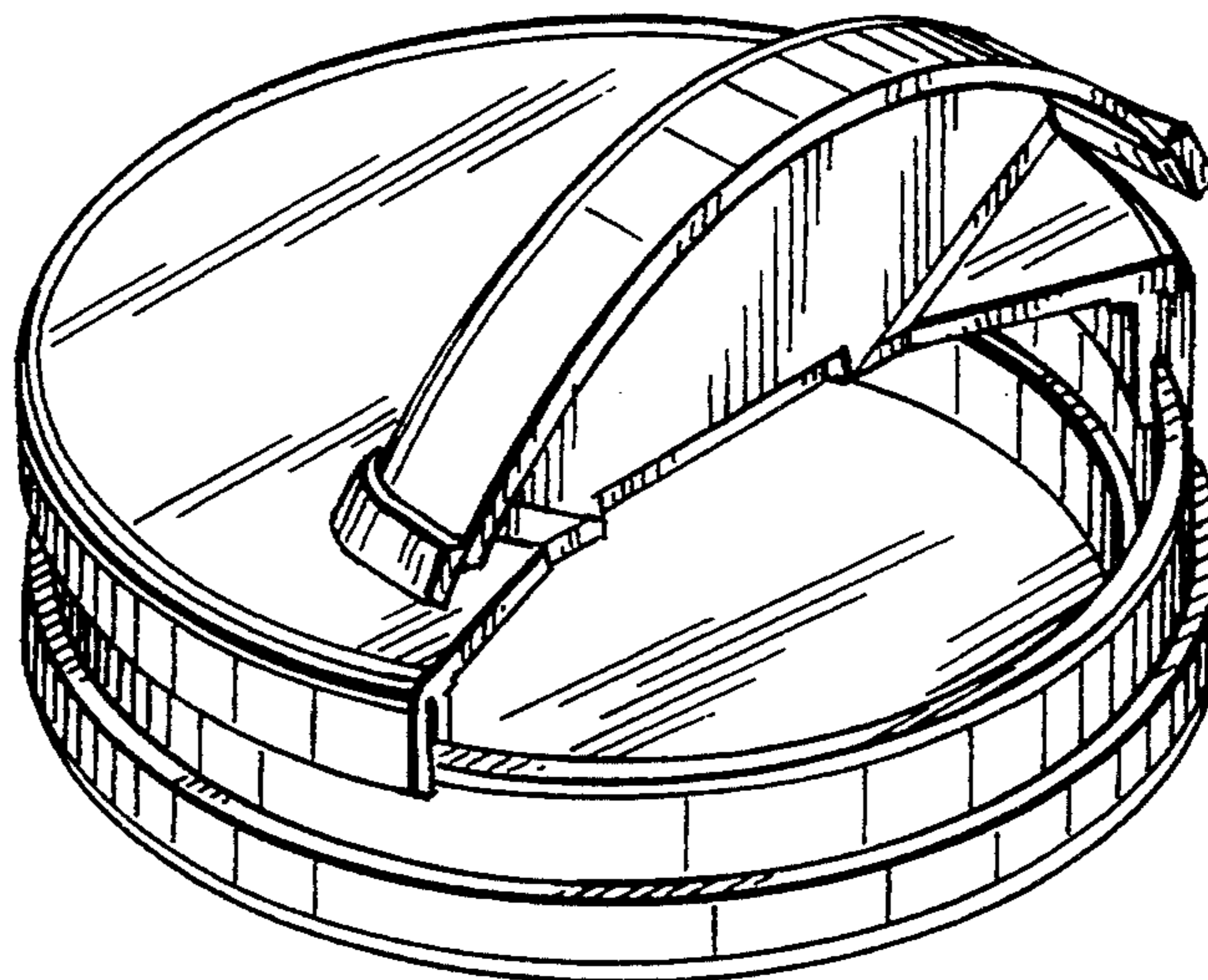
Primary Examiner—Prabhakar G. Deshmukh
Attorney, Agent, or Firm—Anthony J. Casella; Gerald
E. Hespos

[57] CLAIM

The ornamental design of a container with opening lid,
as shown and described.

DESCRIPTION

FIG. 1 is a perspective view a container with opening
lid showing my new design;
FIG. 2 is a front elevational view thereof;
FIG. 3 is a rear elevational view thereof;
FIG. 4 is a right side elevational view thereof; the left
side elevational view being a mirror image thereof;
FIG. 5 is a top plan view thereof;
FIG. 6 is a bottom plan view thereof; and,
FIG. 7 is a perspective view thereof; with the lid in an
open position.



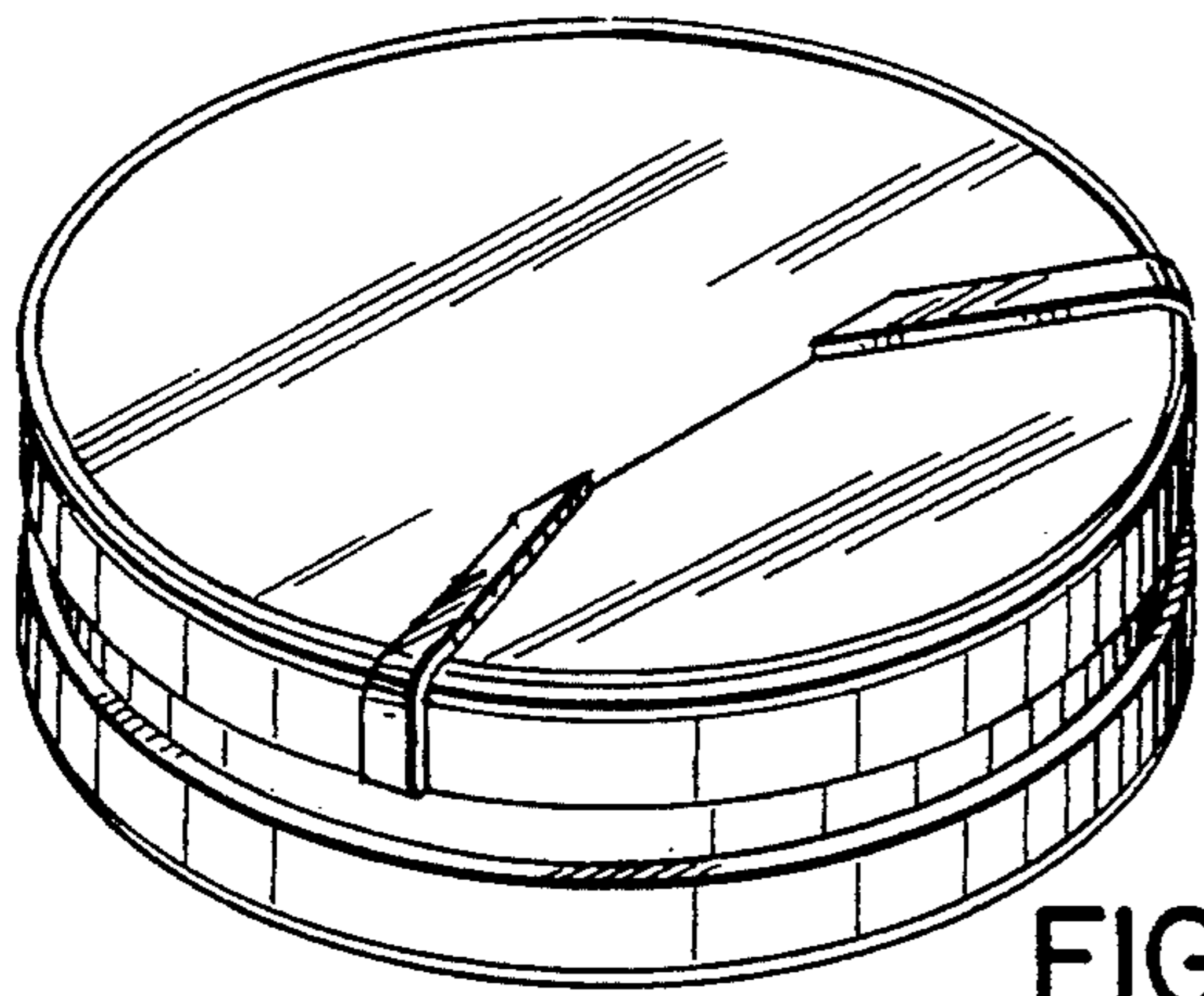


FIG. 1

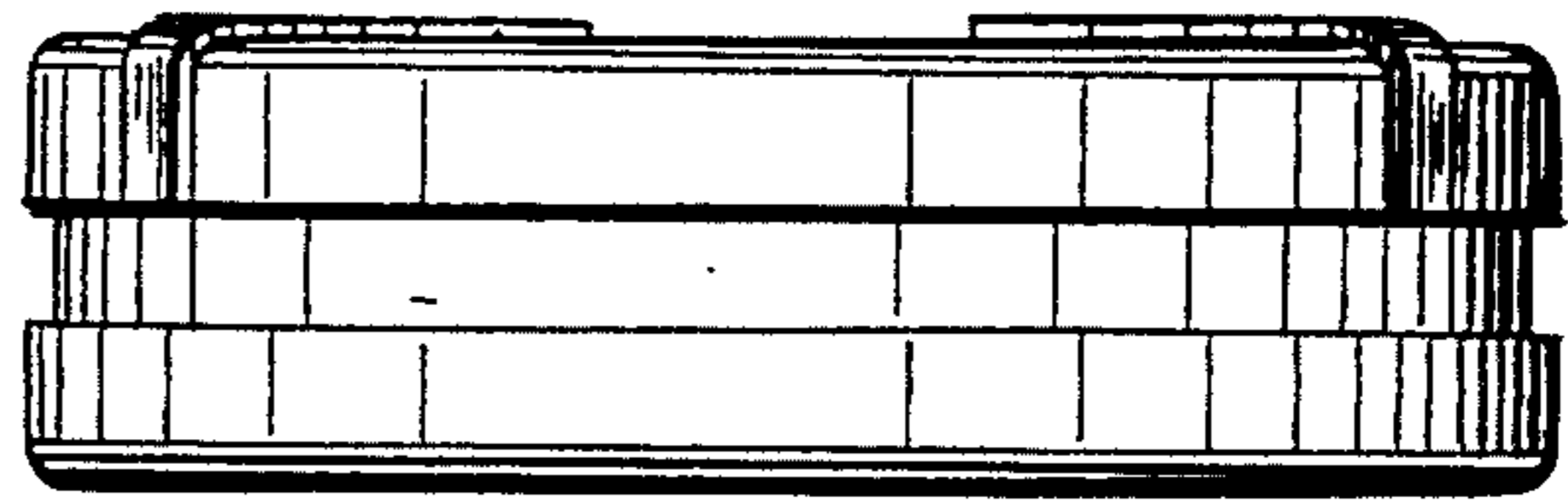


FIG. 2

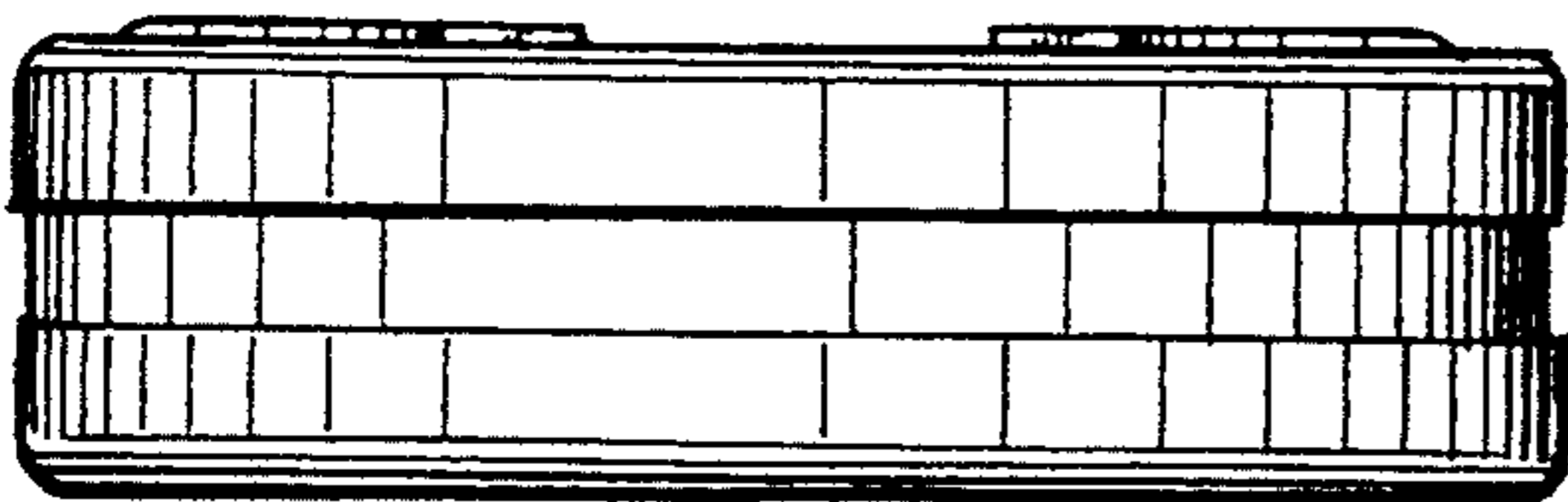


FIG. 3

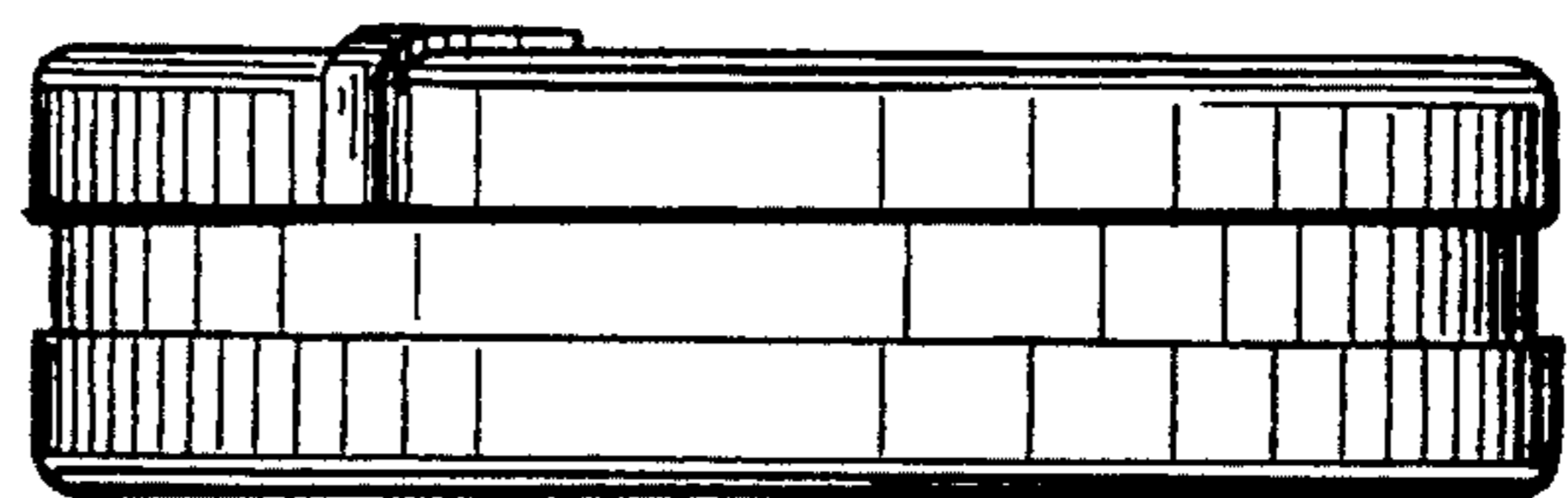


FIG. 4

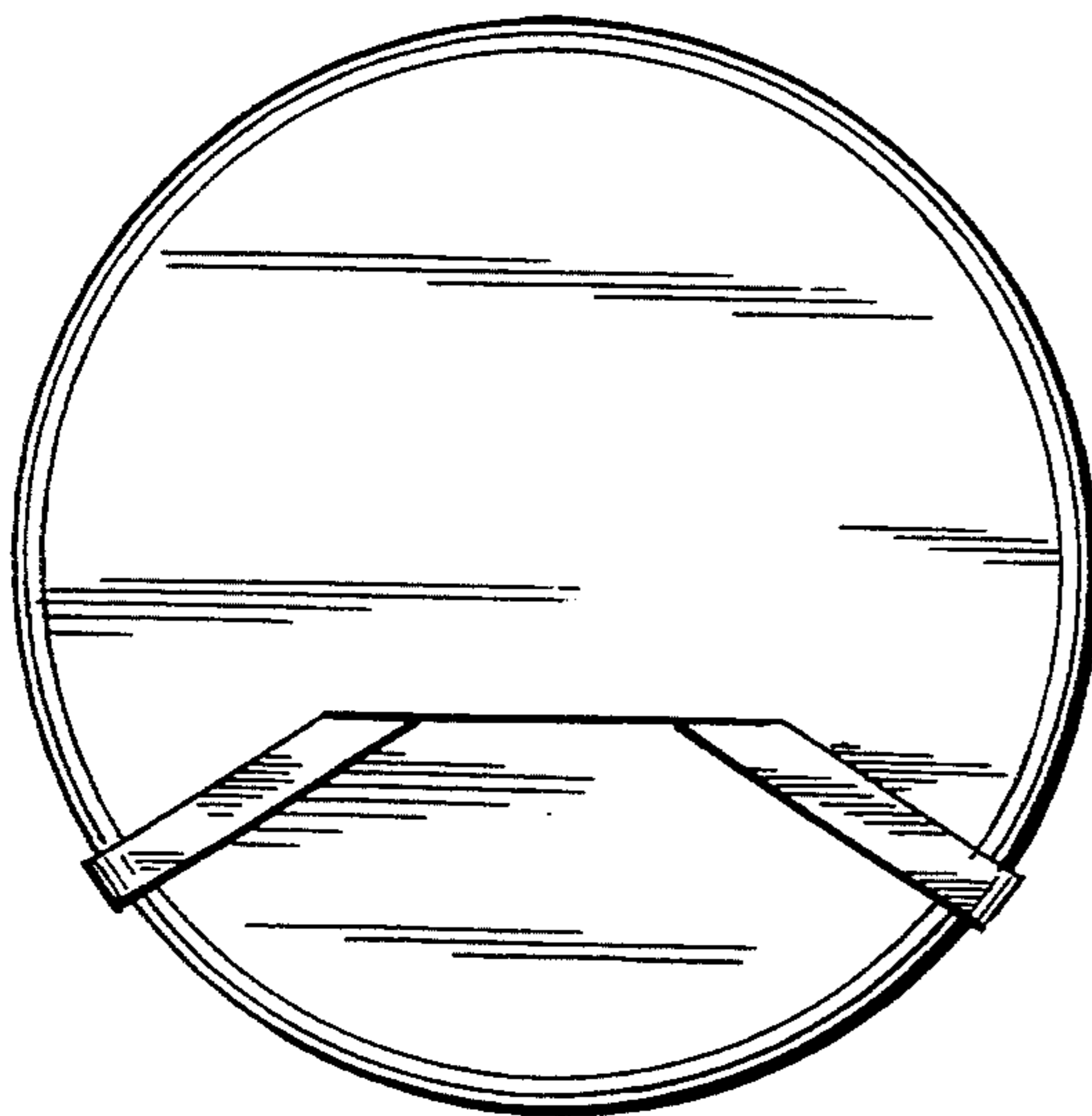


FIG. 5

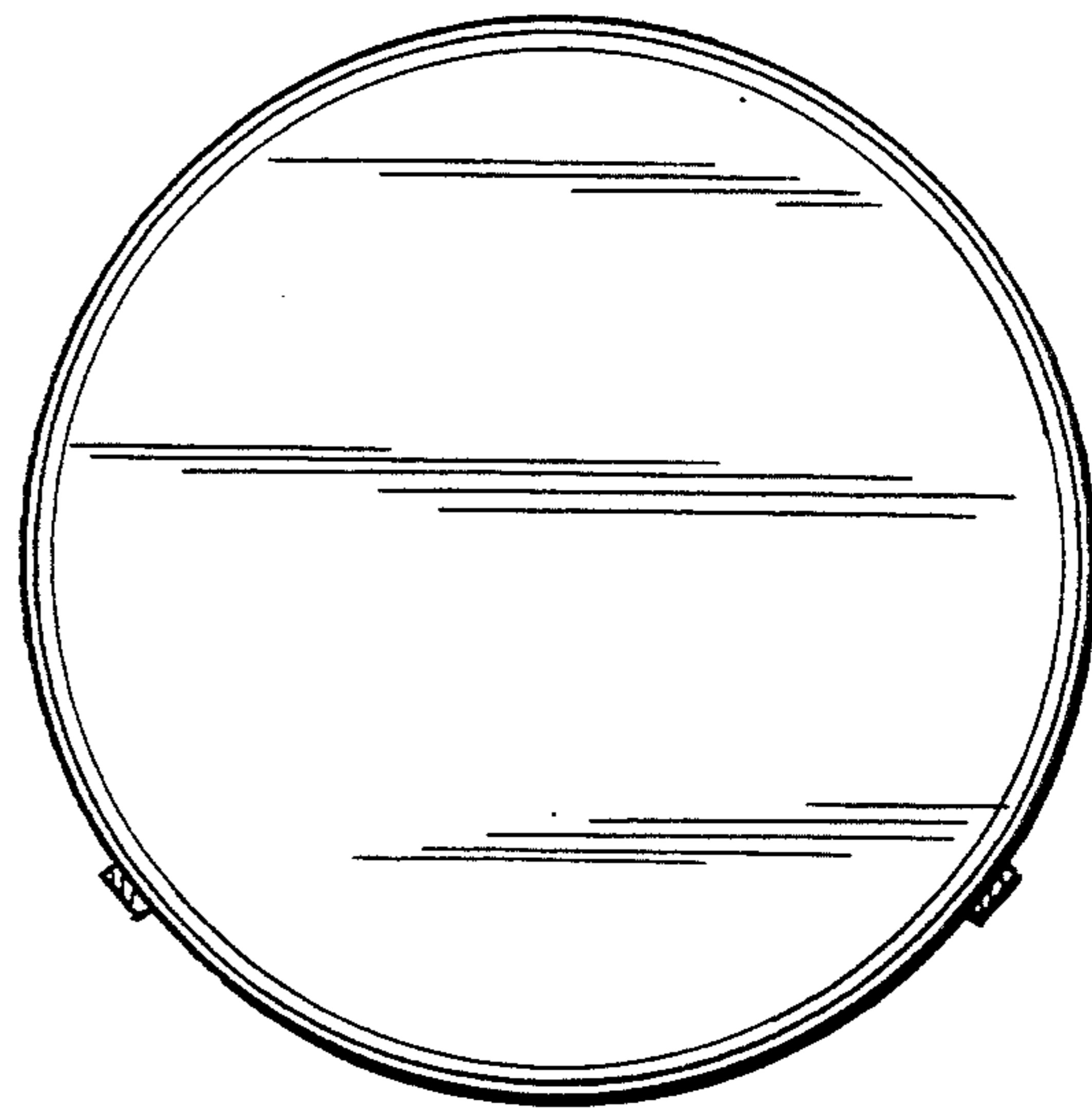


FIG. 6

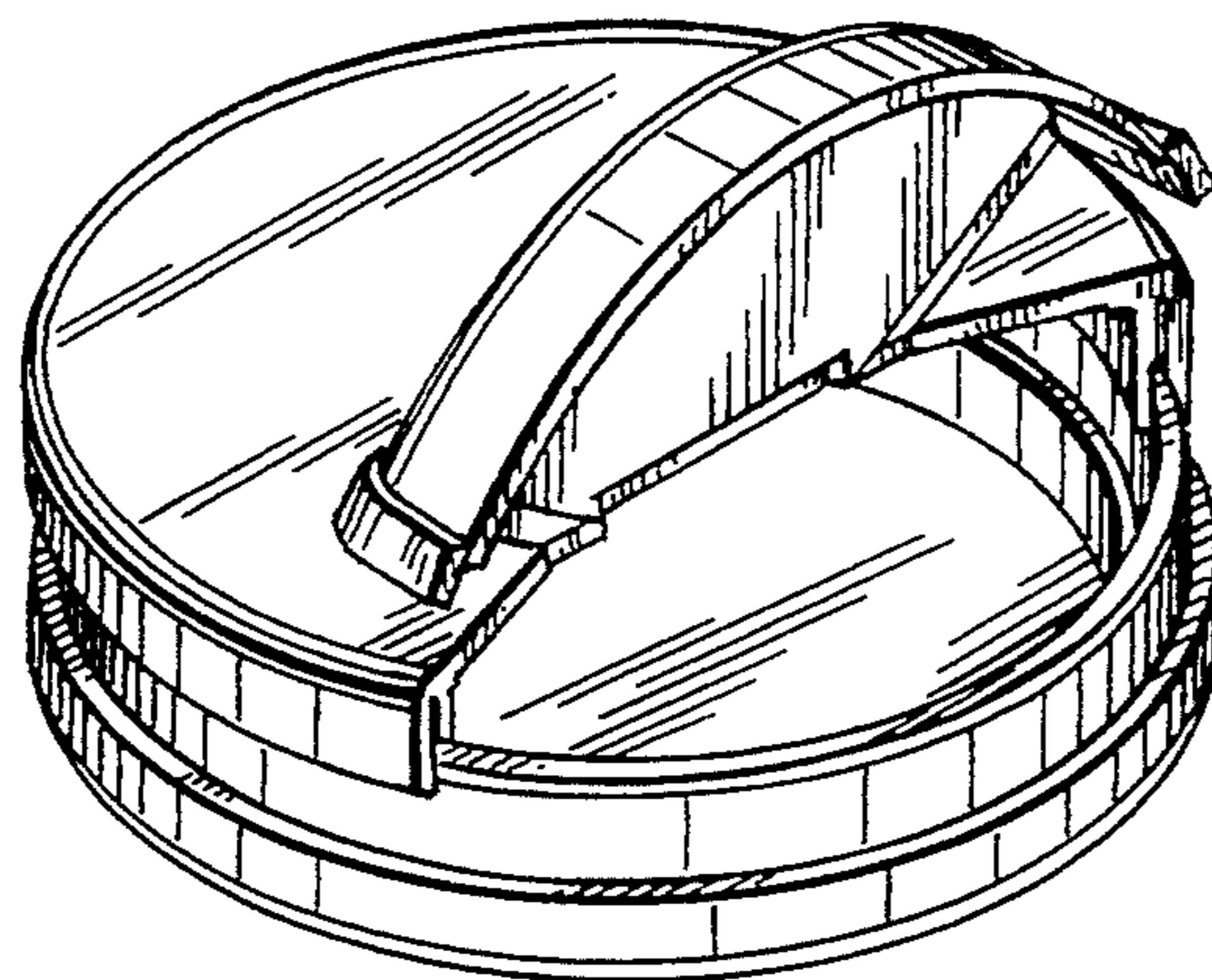


FIG. 7