



US00D359444S

# United States Patent [19]

[11] Patent Number: **Des. 359,444**

**Johansson**

[45] Date of Patent: **\*\* Jun. 20, 1995**

[54] **FASTENER FOR FRAMED ARTICLES**

2,622,357	12/1952	Sprung .....	40/607
4,864,757	9/1989	Lovett .....	40/605
5,058,300	10/1991	Ernest et al. ....	40/606

[76] Inventor: **Gert A. Johansson**, P.O. Box 158, 443  
23 Lerum, Sweden

*Primary Examiner*—B. J. Bullock  
*Attorney, Agent, or Firm*—Evenson, McKeown,  
Edwards & Lenahan

[\*\*] Term: **14 Years**

[21] Appl. No.: **838,083**

[57] **CLAIM**

[22] Filed: **Feb. 20, 1992**

The ornamental design for a fastener for framed articles,  
as shown and described.

[30] **Foreign Application Priority Data**

Aug. 20, 1991 [SE] Sweden ..... 91-1634

**DESCRIPTION**

[52] U.S. Cl. .... **D8/382; D6/300**

[58] Field of Search ..... D6/300; D8/382, 394;  
40/155, 605, 606, 607, 616; 403/286, 331, 405.1

FIG. 1A is a perspective view from the top side of one  
of the elements in the present invention;

FIG. 1B is a perspective view from the bottom side of  
the element shown in FIG. 1A;

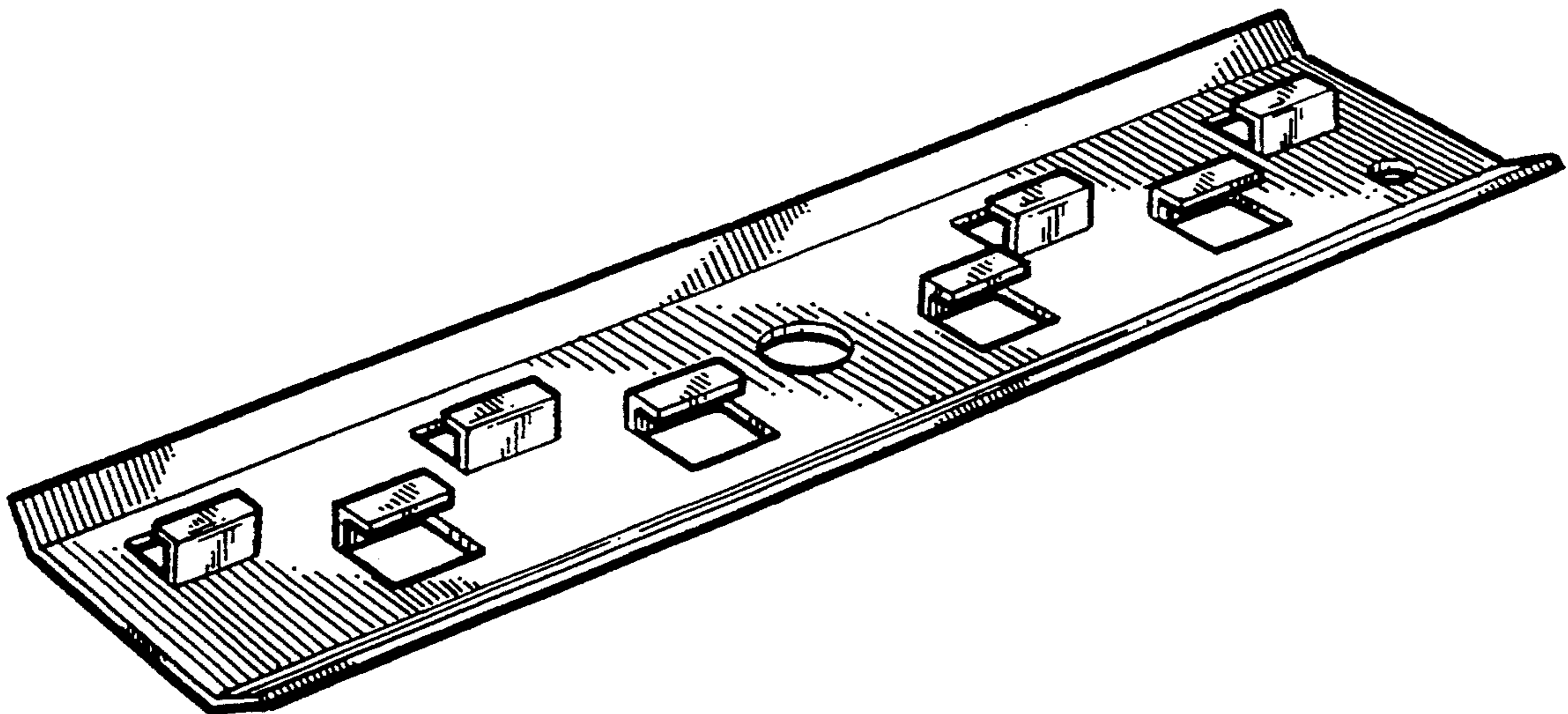
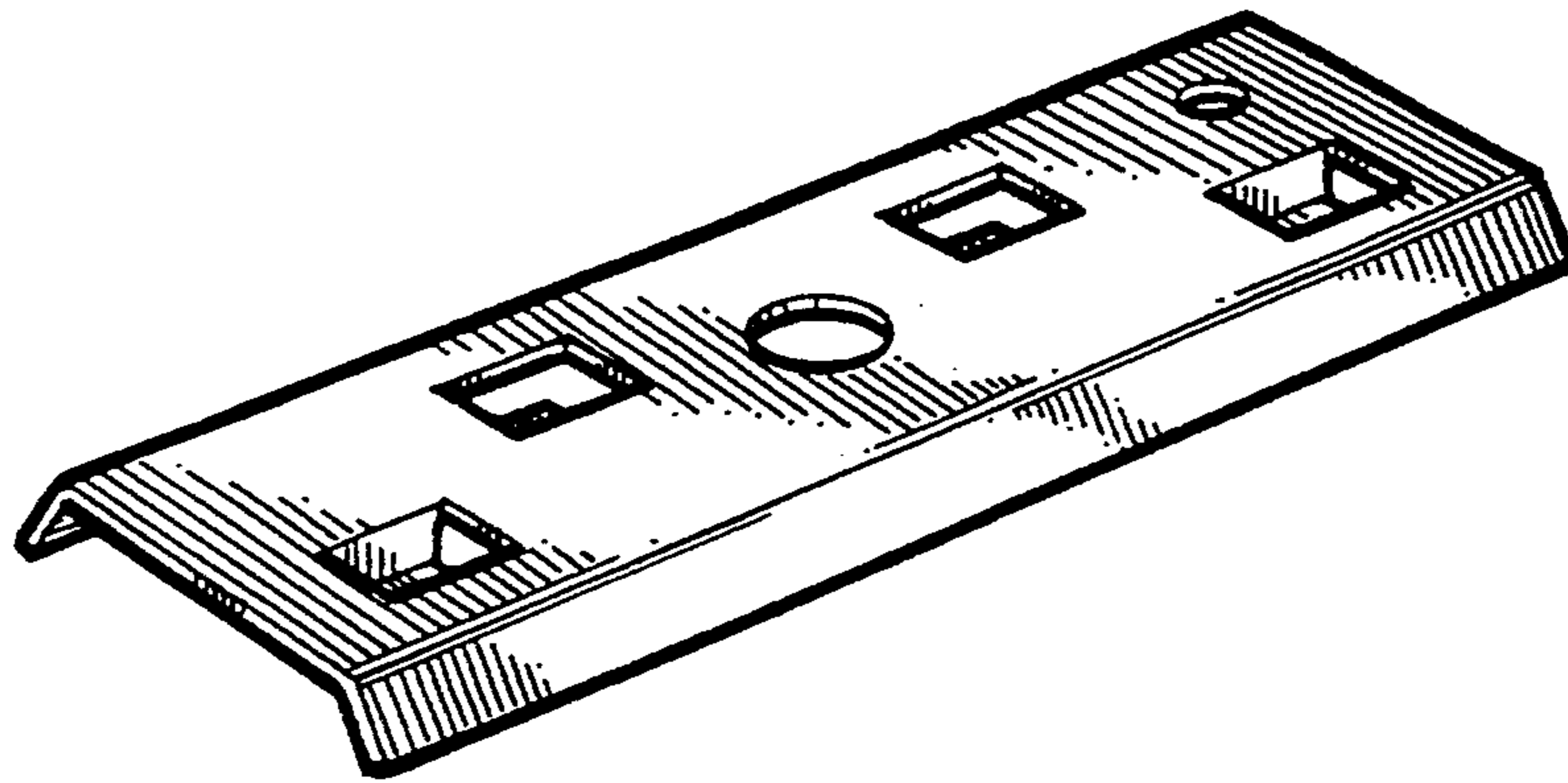
FIG. 2A is a perspective view from the top side of  
another element; and,

FIG. 2B is a perspective view from the bottom side of  
the element shown in FIG. 2A.

[56] **References Cited**

**U.S. PATENT DOCUMENTS**

1,902,511	3/1933	McDaniel .....	40/607
2,101,500	12/1937	Jagus .....	40/155



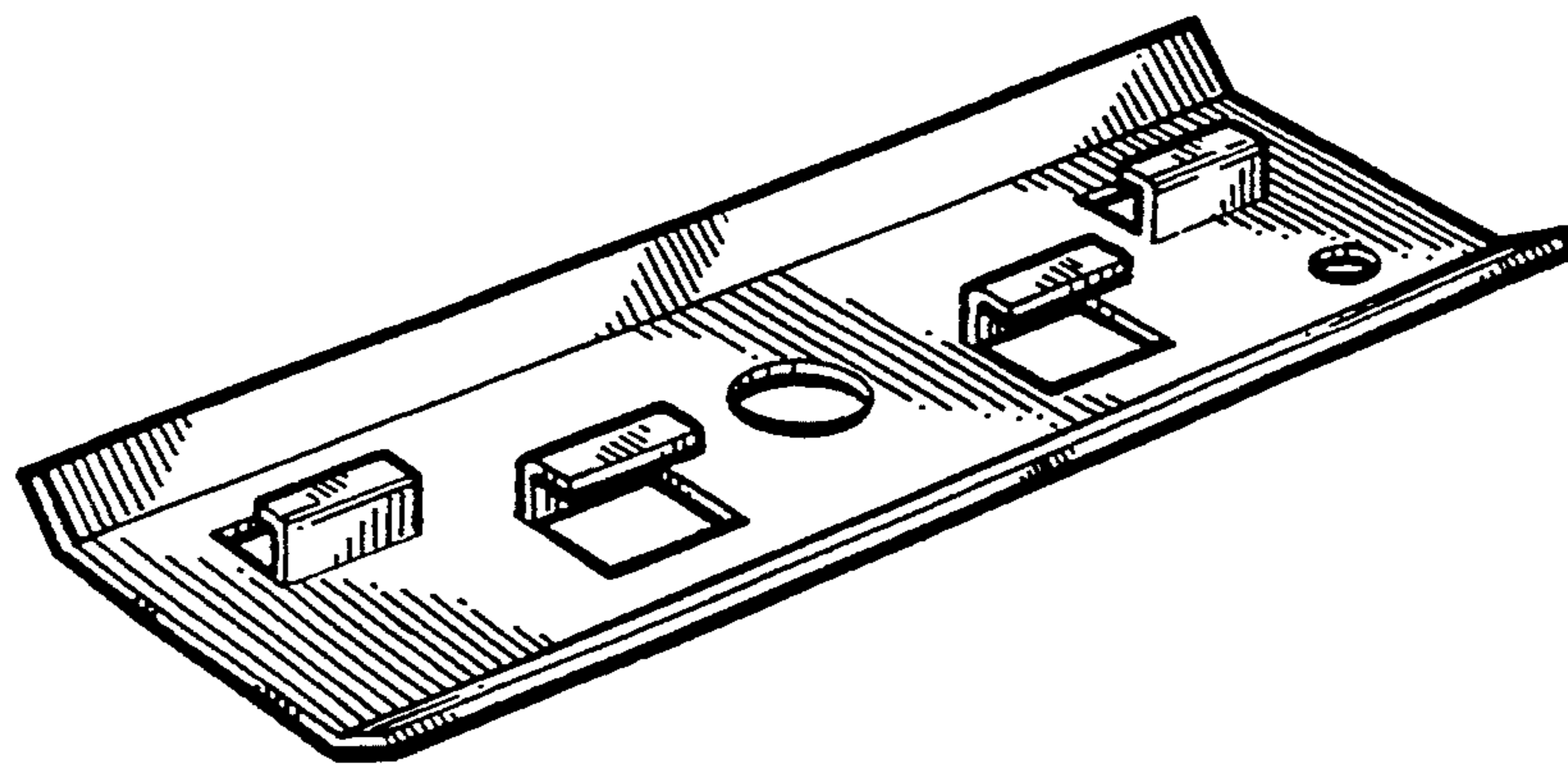


FIG. 1A

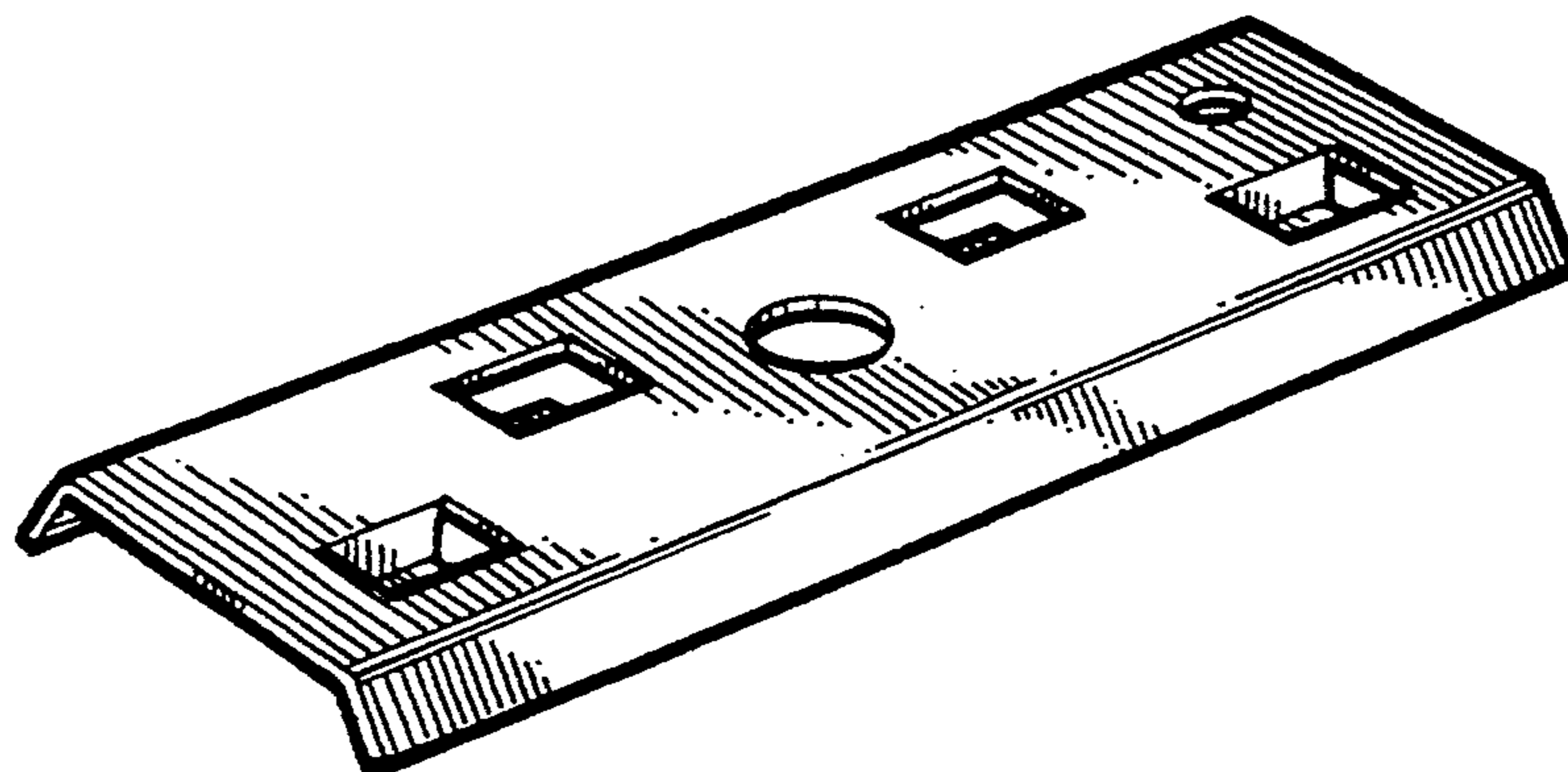


FIG. 1B

