



US00D359441S

United States Patent [19]

[11] Patent Number: **Des. 359,441**

Miller

[45] Date of Patent: **** Jun. 20, 1995**

[54] MAGNETIC CURTAIN HOOK

[76] Inventor: **Garnet J. Miller**, 4690 Sydenham St., Philadelphia, Pa. 19140

[**] Term: **14 Years**

[21] Appl. No.: **20,537**

[22] Filed: **Mar. 28, 1994**

2,765,998 10/1956 Engert .
3,309,052 3/1967 Borisof .

FOREIGN PATENT DOCUMENTS

2240241 2/1974 Germany 248/304

OTHER PUBLICATIONS

Hewi Catalog, Jul. 1987, back cover, circled item at right of page.

New Equipment Digest, Jan. 1992, p. 16.

Primary Examiner—Susan I. Lucas

Assistant Examiner—H. Baynham

Attorney, Agent, or Firm—Volpe and Koenig

Related U.S. Application Data

[62] Division of Ser. No. 750,552, Aug. 27, 1991, Pat. No. Des. 345,497.

[52] U.S. Cl. **D8/367**

[58] Field of Search D8/367, 373; D6/323, D6/325; 248/301, 304, 339, 215

[57] CLAIM

The ornamental design for a magnetic curtain hook, as shown and described.

[56] References Cited

U.S. PATENT DOCUMENTS

D. 70,688	3/1924	Jordan	D6/323
D. 144,010	2/1946	Van Doren	D6/323
D. 198,264	5/1964	Margulis	.	
D. 212,553	10/1968	Hekman	.	
D. 241,206	8/1976	Halsted et al.	D6/120
D. 251,124	2/1979	Takeuchi	.	
D. 289,009	3/1987	Salacuse	D8/373
D. 289,139	4/1987	Chasen	D8/367
D. 313,740	1/1991	Witt	D8/373
1,731,408	10/1929	Finnessy	248/304 X
2,679,998	6/1954	Keller	248/304 X

DESCRIPTION

FIG. 1 is a perspective view of a magnetic curtain hook, showing my new design;

FIG. 2 is a top plan view;

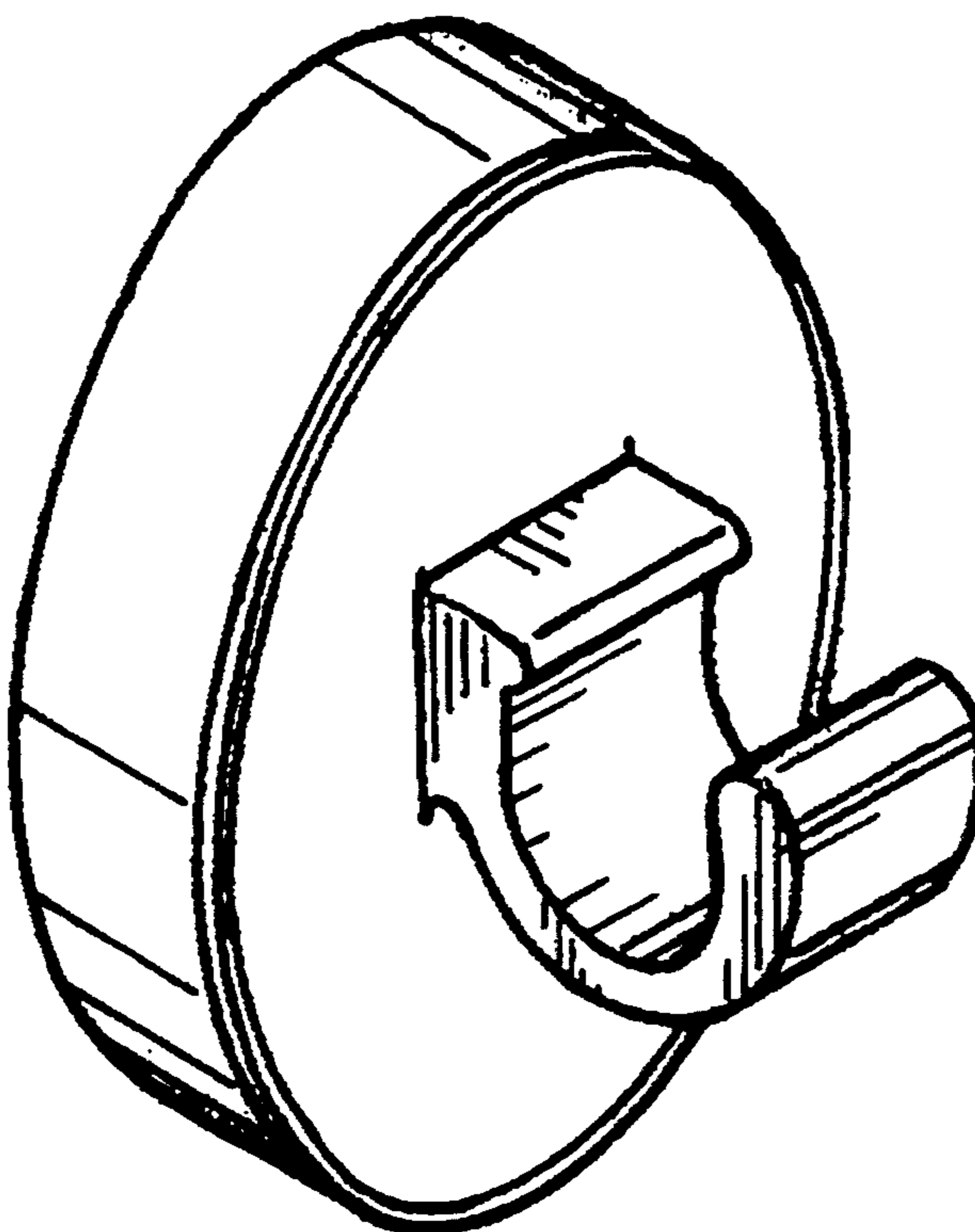
FIG. 3 is a left side elevation with the right side elevation being the mirror image thereof;

FIG. 4 is a front elevation;

FIG. 5 is a rear elevation; and,

FIG. 6 is a bottom plan view.

The cross-hatching shading shown on FIG. 5 represents a magnetic surface.



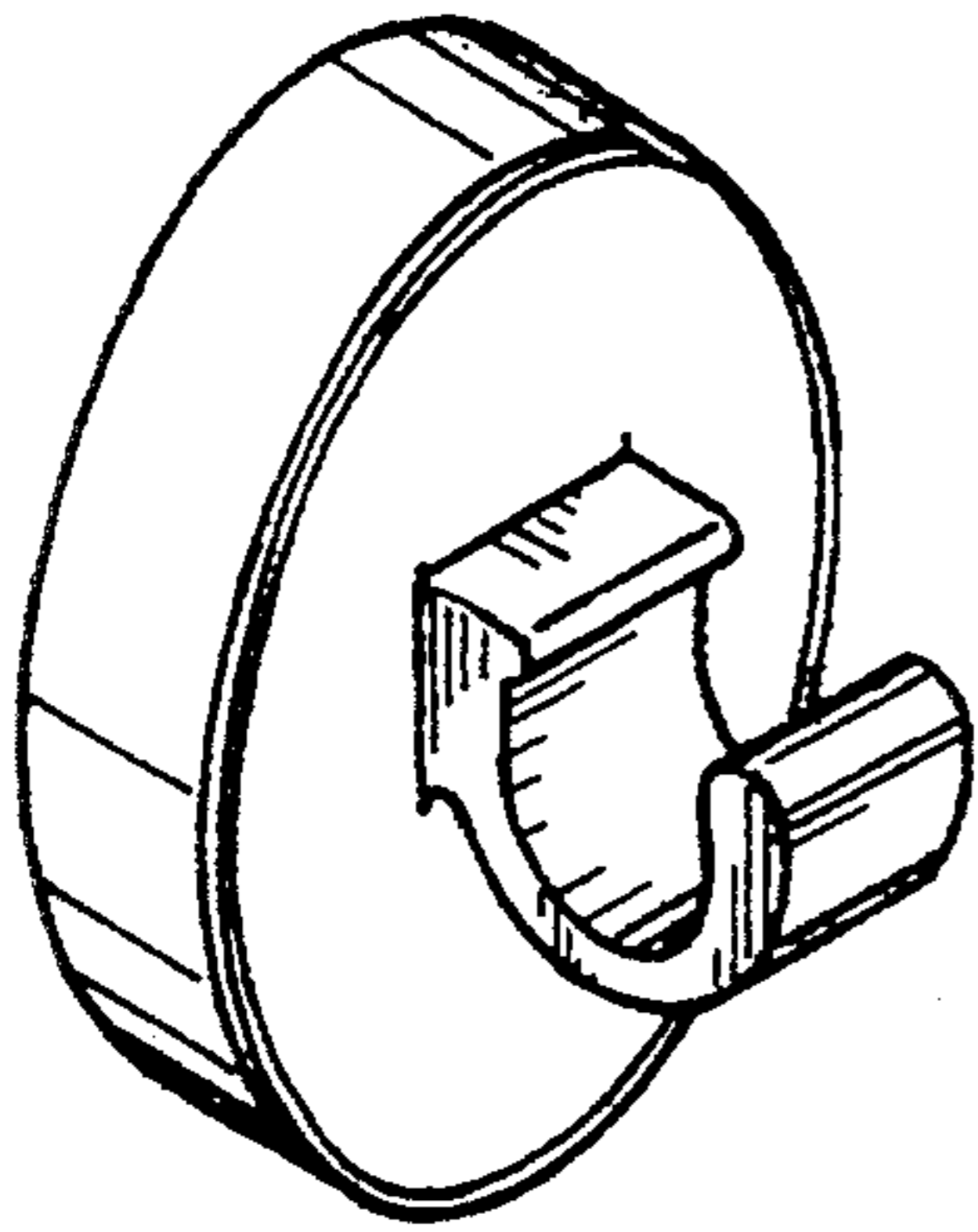


FIG. 1

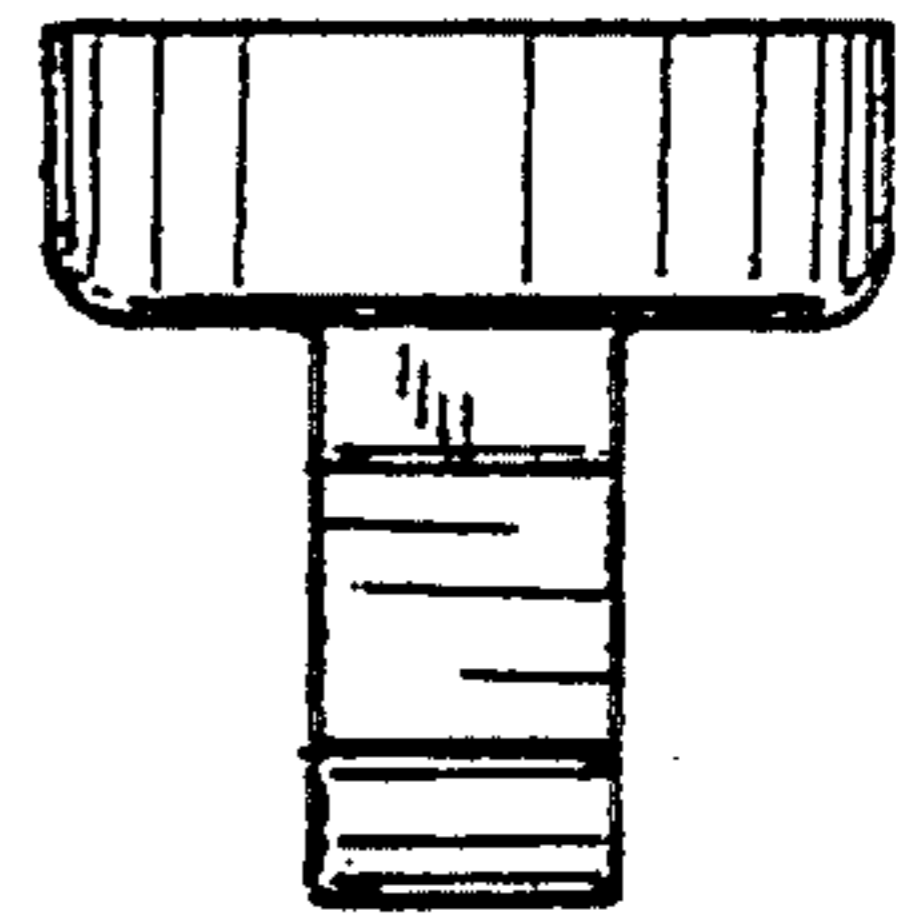


FIG. 2

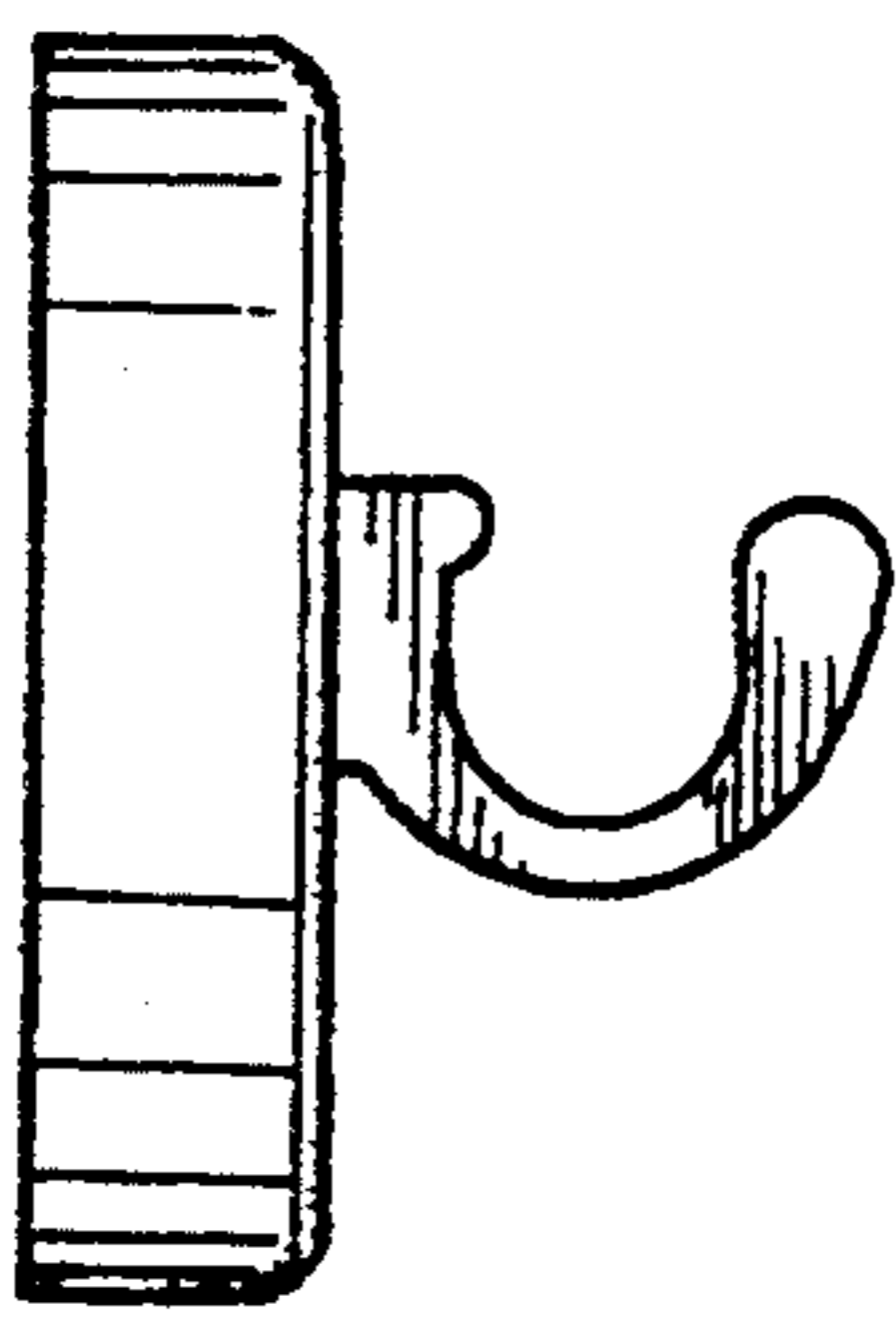


FIG. 3

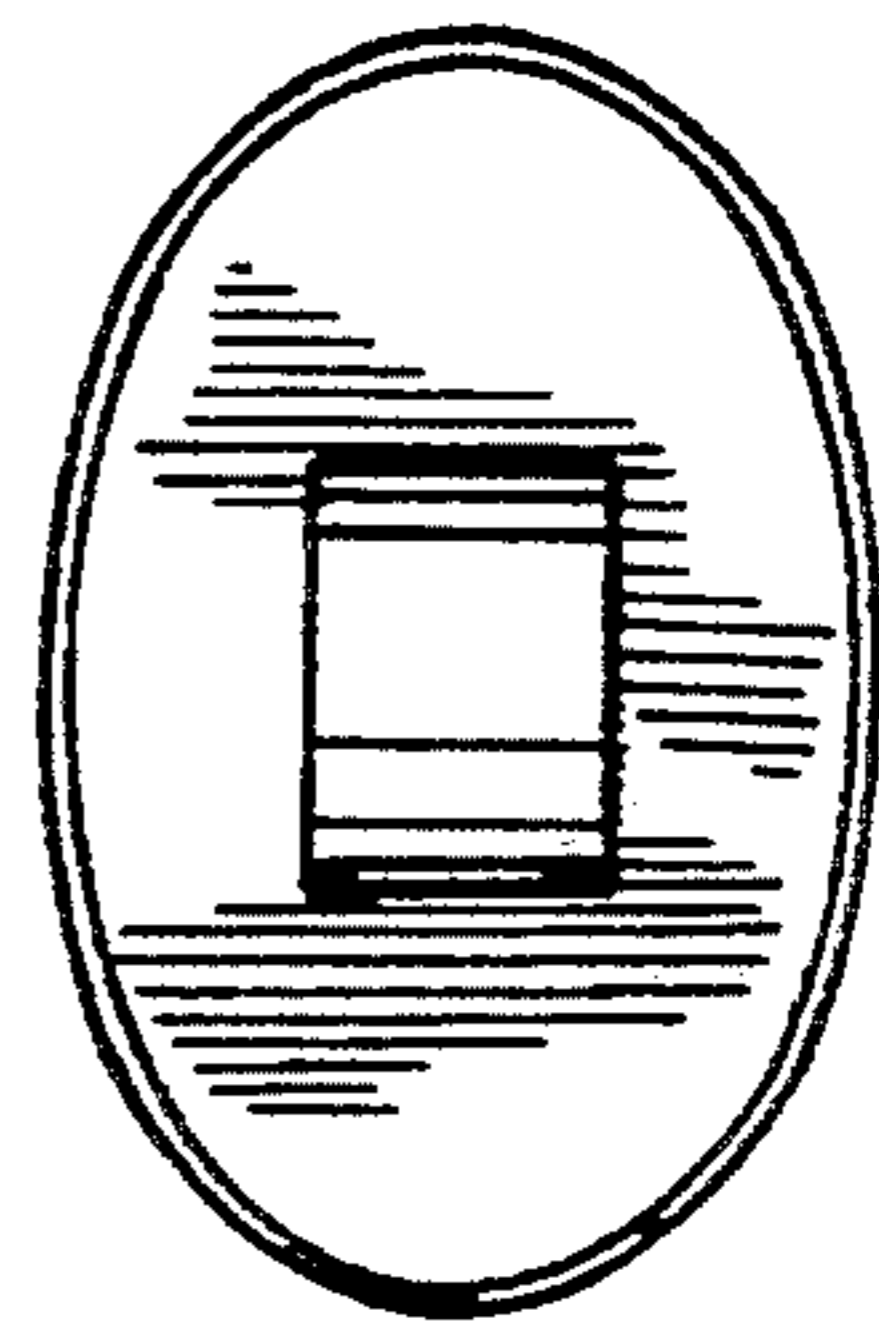


FIG. 4

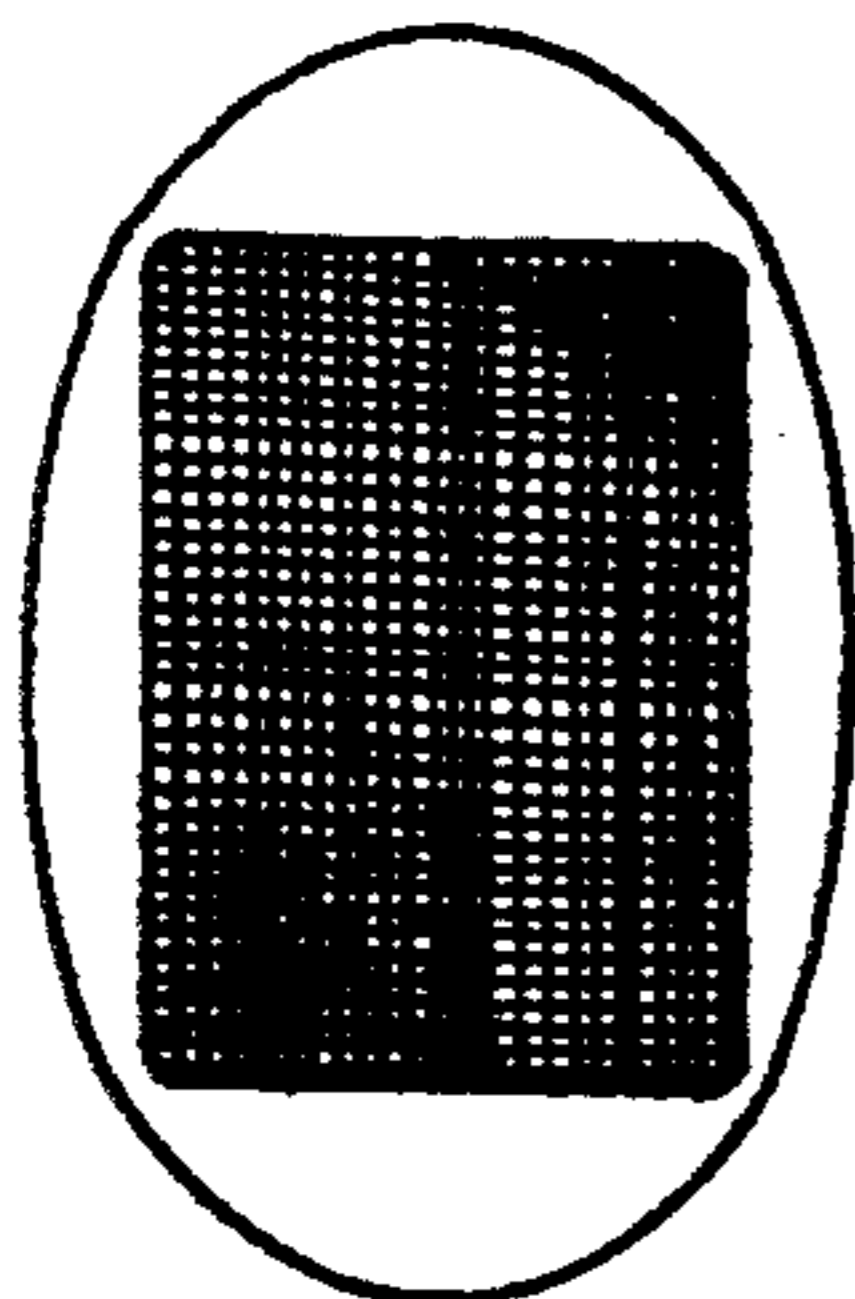


FIG. 5

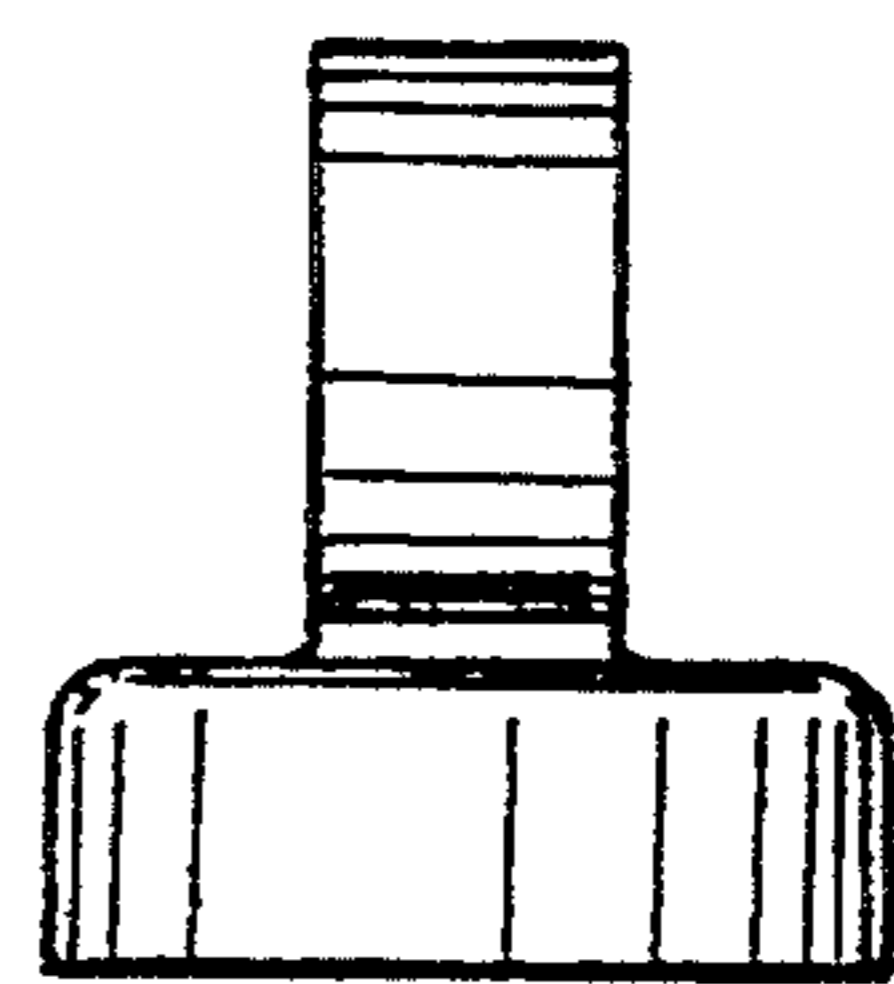


FIG. 6