



US00D359438S

United States Patent [19]

[11] Patent Number: **Des. 359,438**

Graham

[45] Date of Patent: **** Jun. 20, 1995**

[54] **BRACKET FOR MOUNTING A RECTANGULAR CONTAINER**

[76] Inventor: **Michael J. Graham**, 2635 23rd St. #A, Santa Monica, Calif. 90405

[**] Term: **14 Years**

[21] Appl. No.: **13,803**

[22] Filed: **Oct. 4, 1993**

[52] U.S. Cl. **D8/354**

[58] Field of Search **D8/370, 349, 354; D6/553, 512; 410/74-75; 248/229; D9/501, 517**

[56] **References Cited**

U.S. PATENT DOCUMENTS

1,621,176 3/1927 Sonin248/229

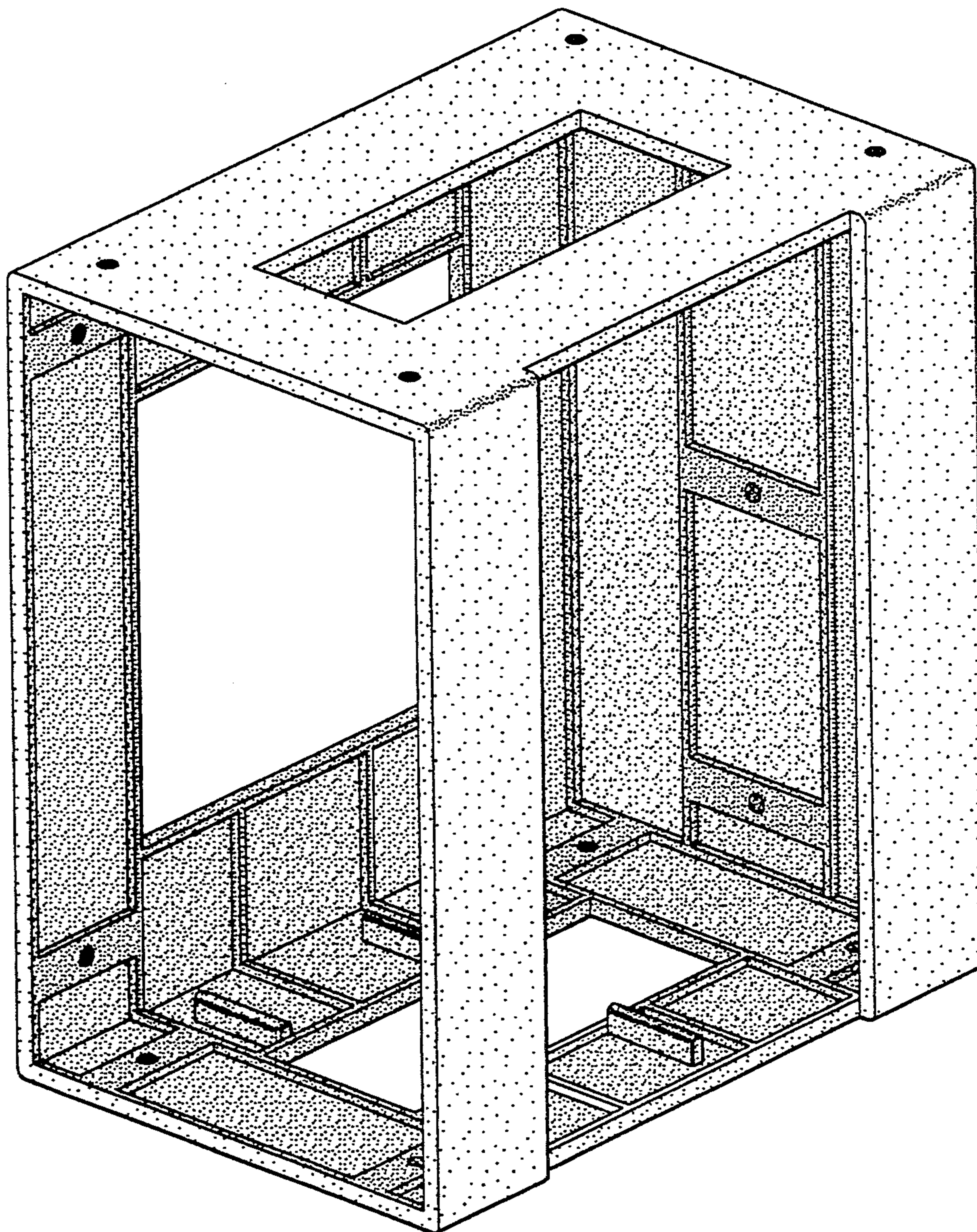
Primary Examiner—Susan J. Lucas
Assistant Examiner—Holly Baynham
Attorney, Agent, or Firm—Macro-Search Corp.; Gene Scott

[57] **CLAIM**

The ornamental design for a bracket for mounting a rectangular container, as shown and described.

DESCRIPTION

FIG. 1 is a perspective view of the invention, showing my new design;
FIG. 2 is a front elevational view thereof;
FIG. 3 is a right side elevation view thereof;
FIG. 4 is a rear elevational view thereof;
FIG. 5 is a left side elevation view thereof; and,
FIG. 6 is a top plan view thereof, the bottom plan view being a mirror image thereof.



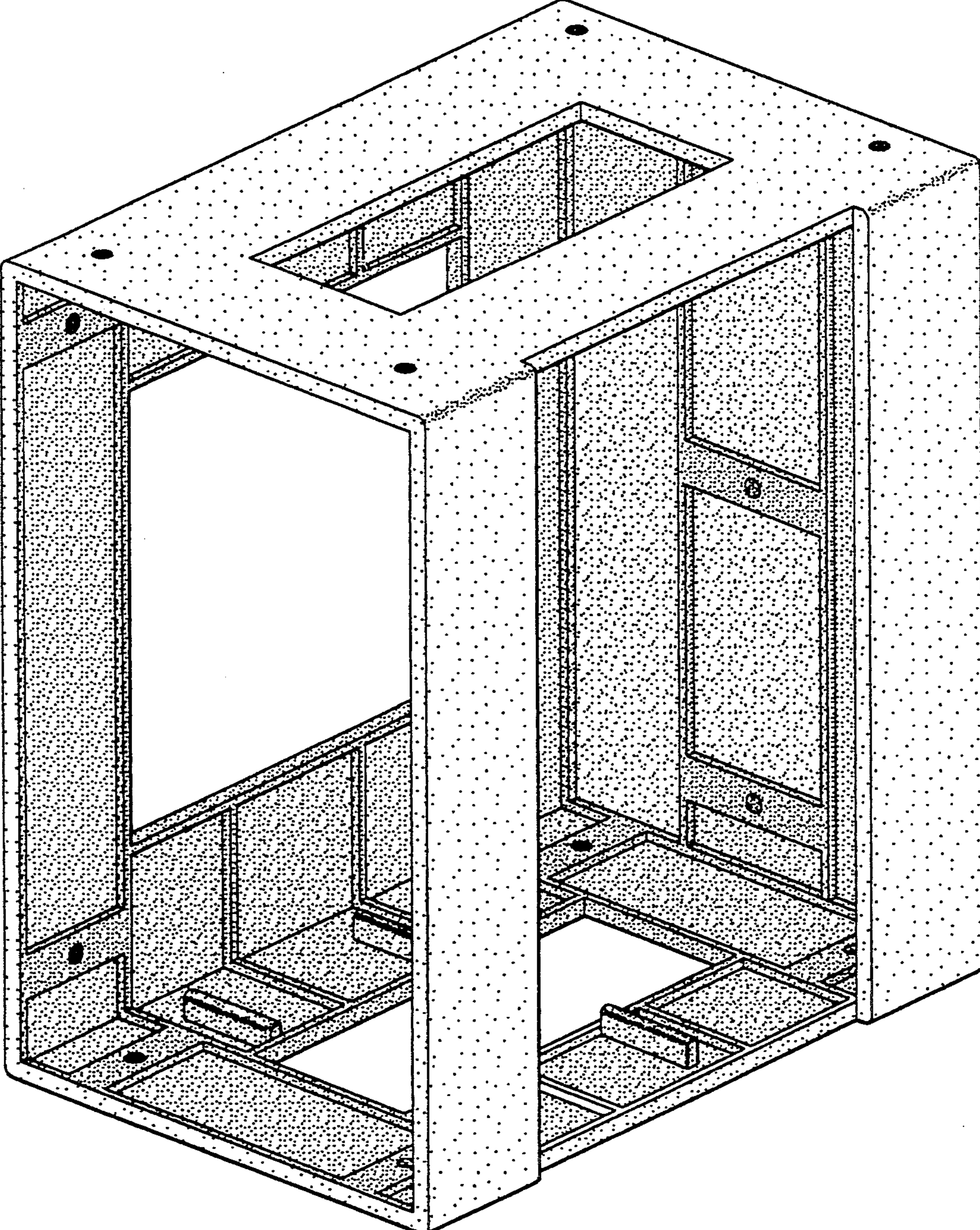


FIG 1

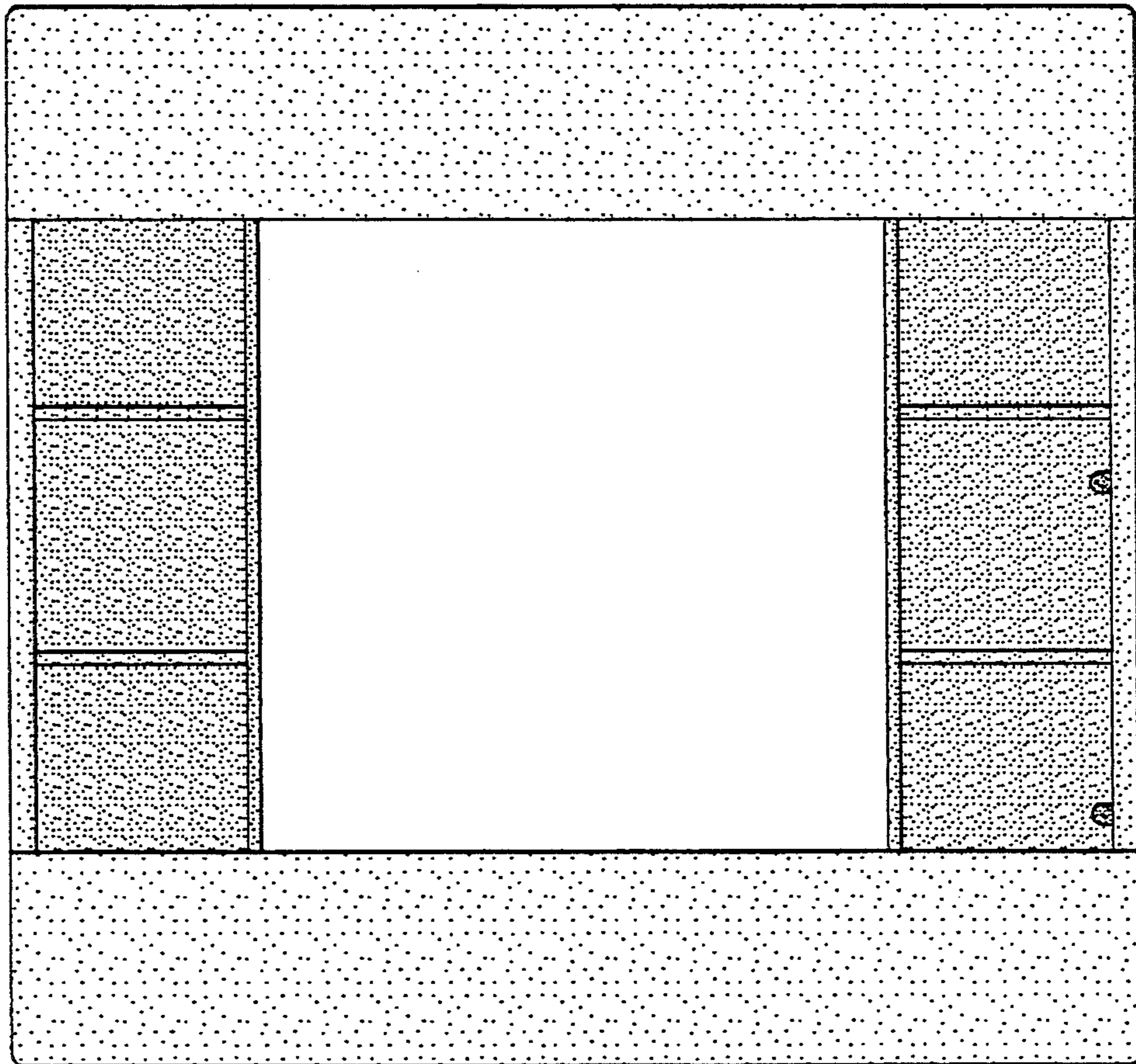


FIG 3

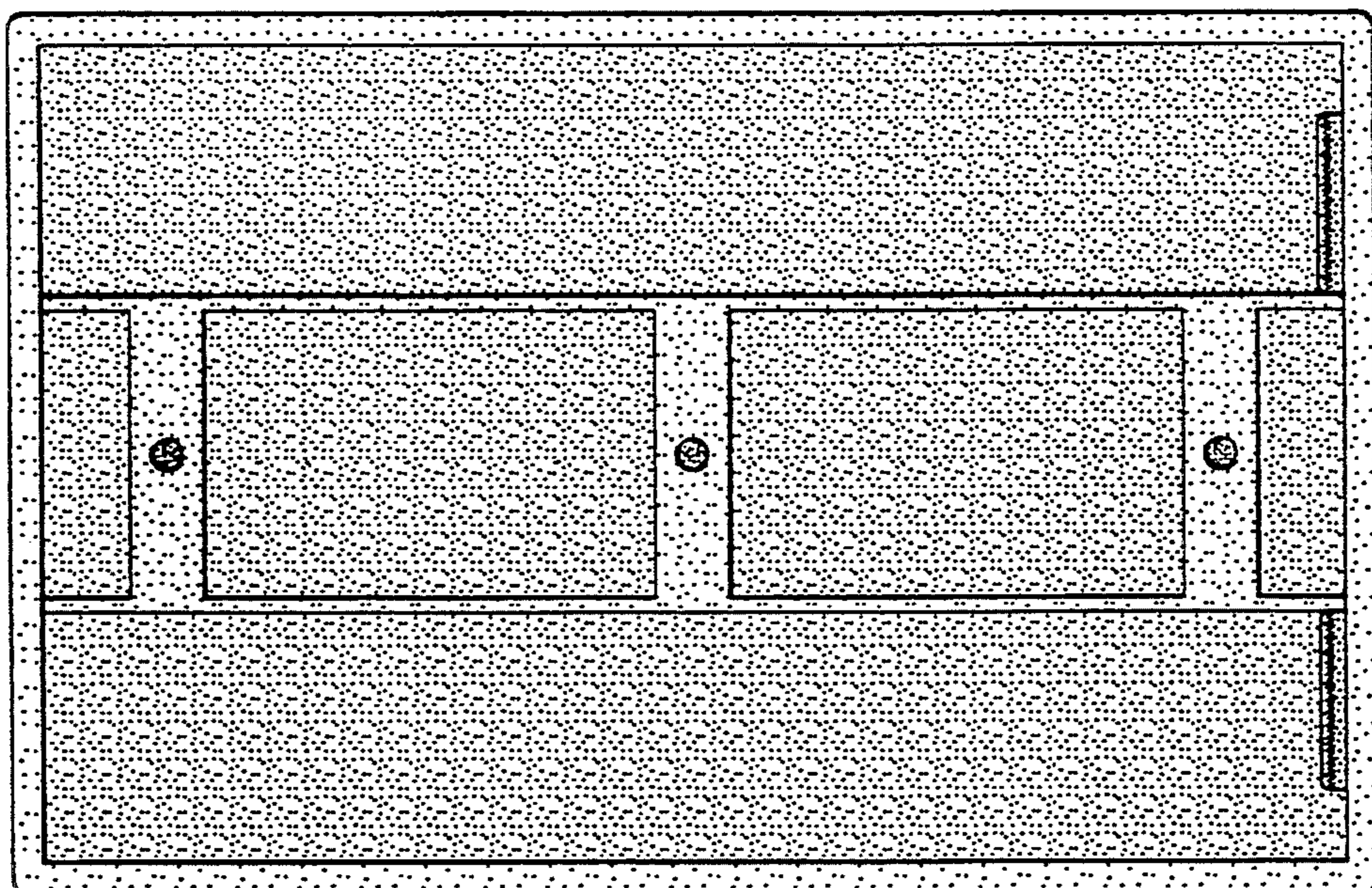


FIG 2

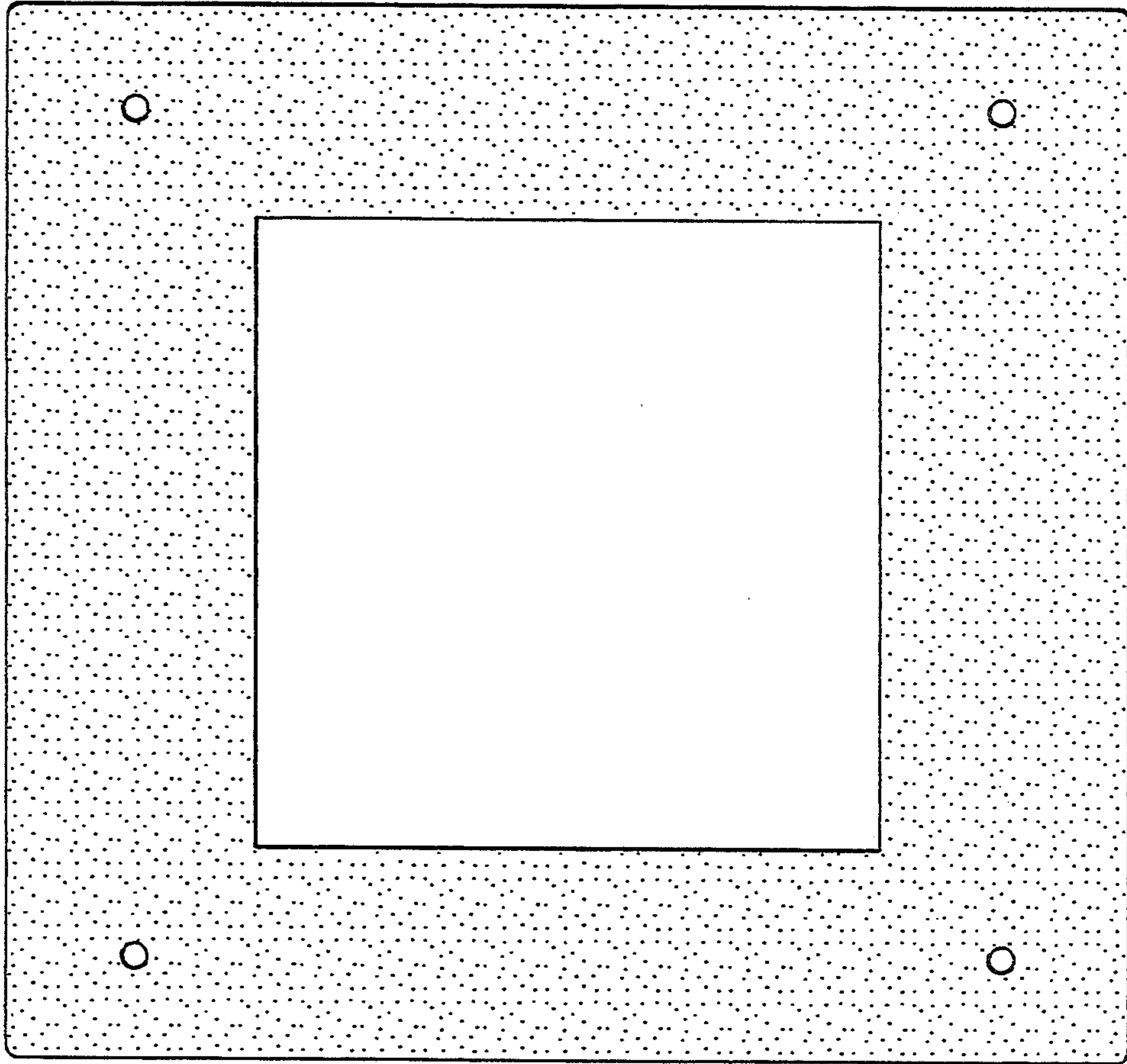


FIG 5

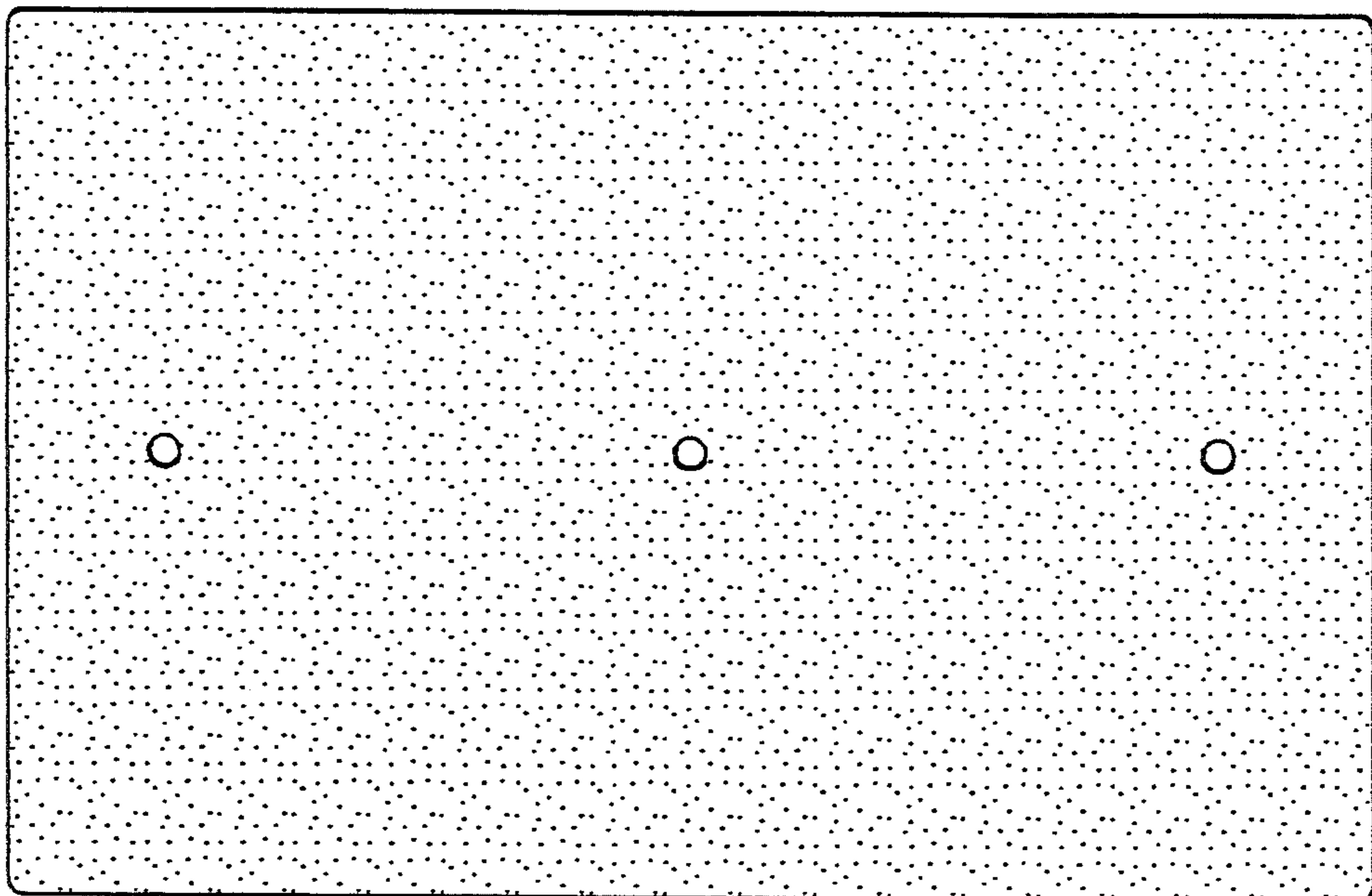


FIG 4

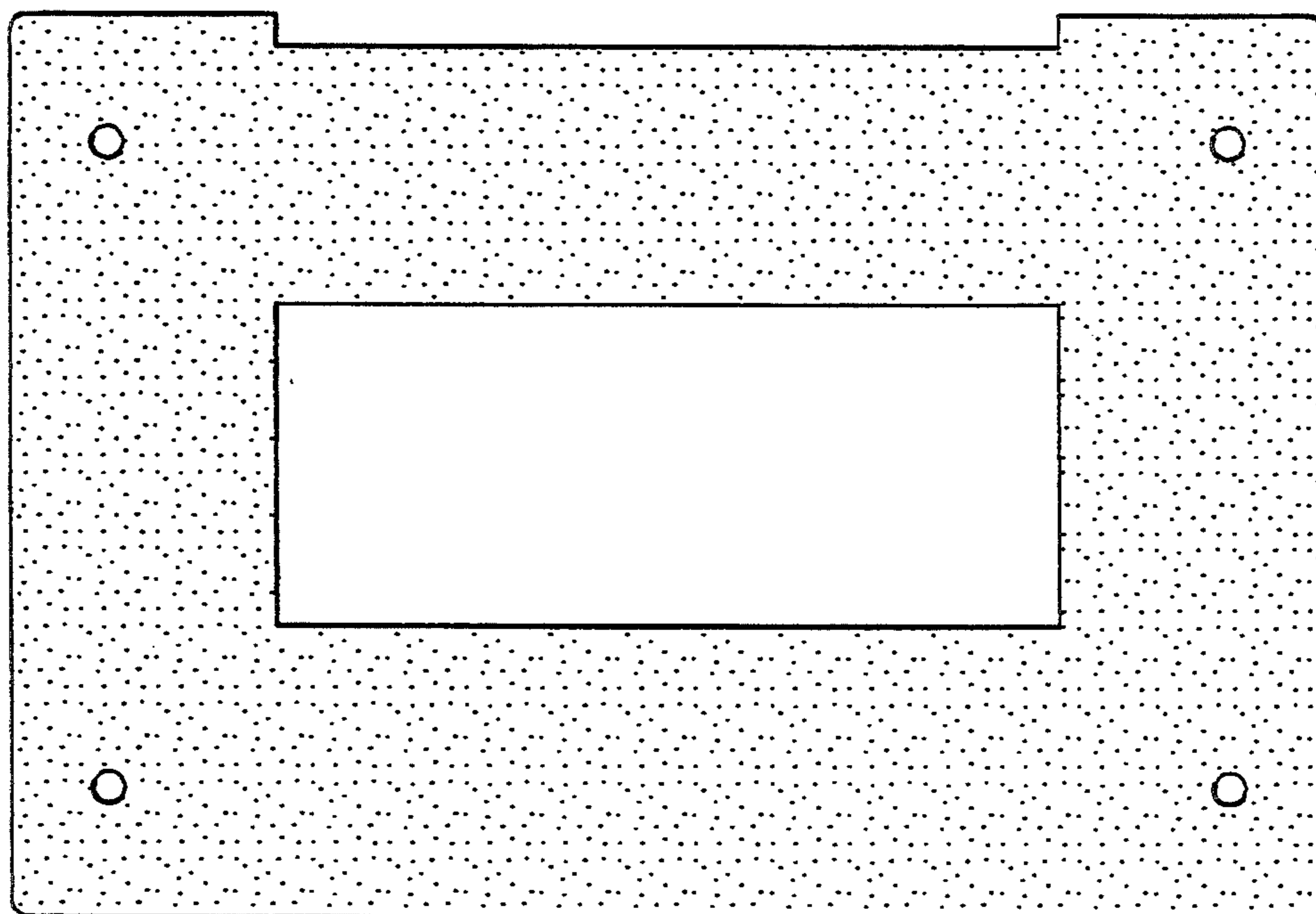


FIG 6