



US00D359436S

United States Patent [19]

[11] Patent Number: **Des. 359,436**

Weimann

[45] Date of Patent: **** Jun. 20, 1995**

[54] **HACKSAW FRAME**

[75] Inventor: **George F. Weimann, Avon, Conn.**

[73] Assignee: **The Stanley Works, New Britain, Conn.**

[**] Term: **14 Years**

[21] Appl. No.: **19,660**

[22] Filed: **Mar. 8, 1994**

[52] U.S. Cl. **D8/97**

[58] Field of Search **D8/95, 96, 97; 30/506, 30/514, 517, 539, 335**

[56] **References Cited**

U.S. PATENT DOCUMENTS

D. 228,225	8/1973	West	D8/97
D. 291,962	9/1987	Johnson et al.	D8/95
D. 307,536	5/1990	Alm	D8/97
D. 325,506	4/1992	Michas et al.	D8/96
3,447,580	6/1969	Keymer	30/517
3,480,055	11/1969	La Pointe	30/517
3,756,298	9/1973	West	30/517

OTHER PUBLICATIONS

Stanley Ad, 1982, D8-95, Mini-Hack Hacksaw.

Primary Examiner—Terry A. Wallace

Assistant Examiner—Philip Hyder

[57] **CLAIM**

The ornamental design for a hacksaw frame, as shown and described.

DESCRIPTION

FIG. 1 is a perspective view of a hacksaw frame showing my new design, the broken line showing of the hacksaw blade being for illustrative purposes only and forming no part of the claimed design;

FIG. 2 is a front end elevational view thereof;

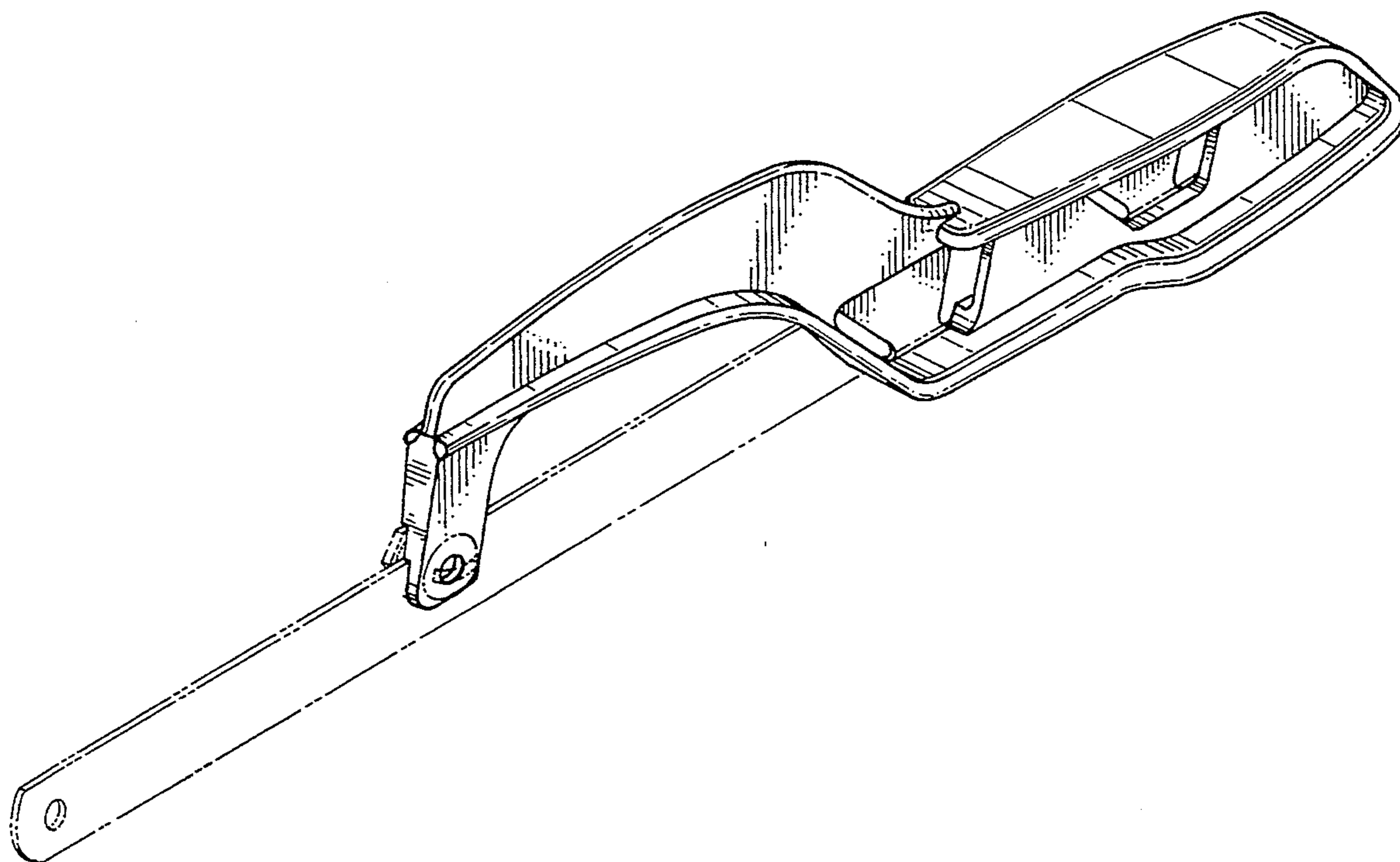
FIG. 3 is a rear end elevational view thereof;

FIG. 4 is a side elevational view thereof;

FIG. 5 is a top view thereof;

FIG. 6 is an elevational view of the side opposite that seen in FIG. 4; and,

FIG. 7 is a bottom view thereof.



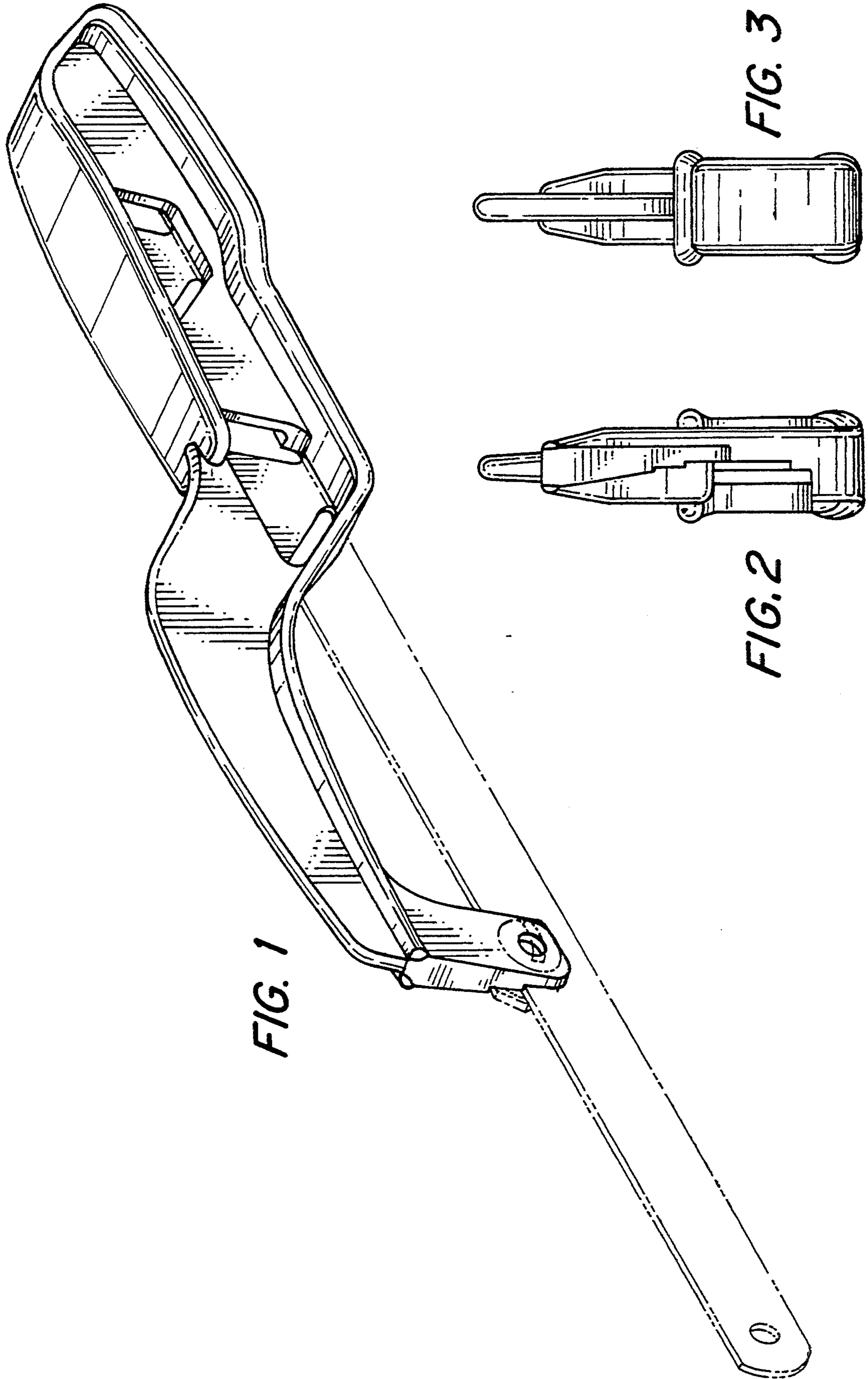


FIG. 1

FIG. 2

FIG. 3

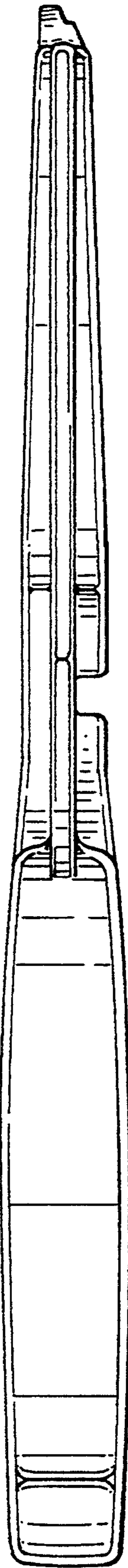


FIG. 5

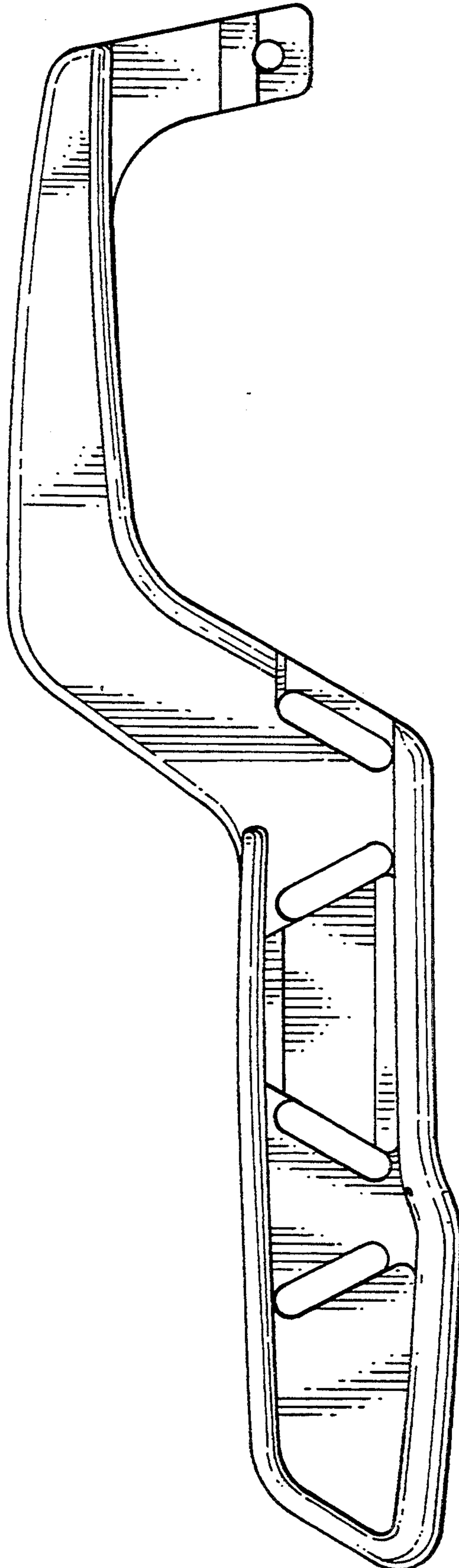


FIG. 4

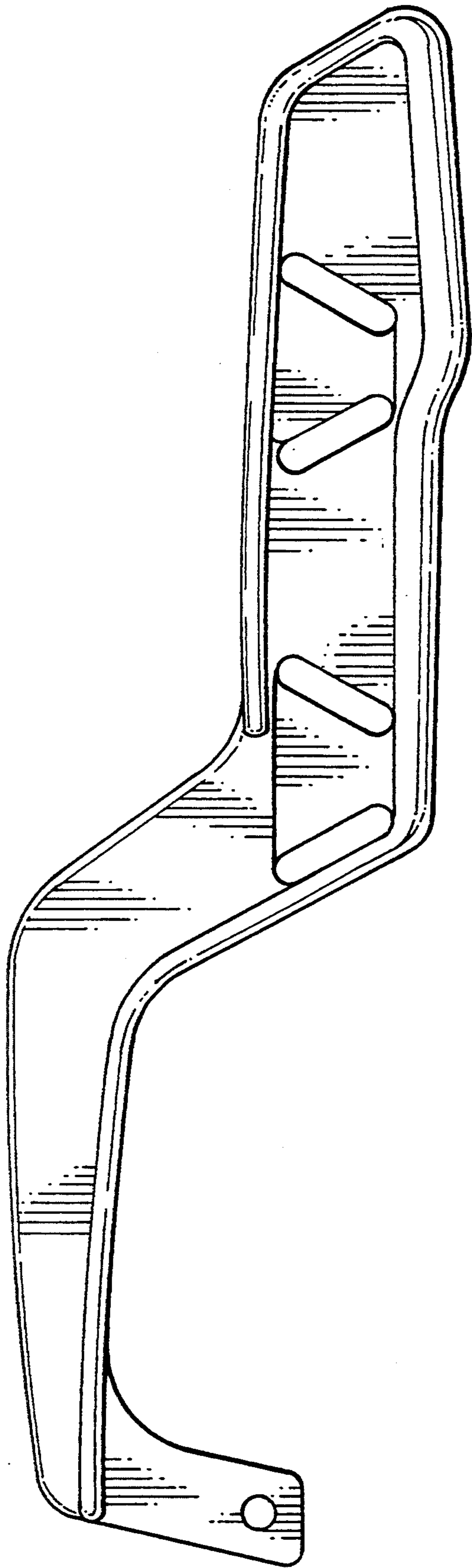


FIG. 6

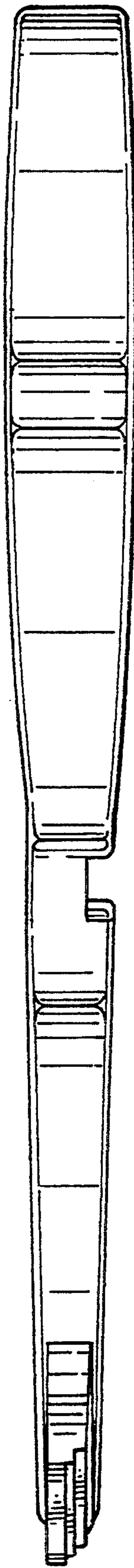


FIG. 7