



US00D359435S

United States Patent [19]

[11] Patent Number: **Des. 359,435**

Joecker, Jr.

[45] Date of Patent: **** Jun. 20, 1995**

[54] **TILE CUTTER**

[75] Inventor: **Eduard Joecker, Jr.,** Wuppertal, Germany

[73] Assignee: **Edvard Joecker GmbH,** Wuppertal, Germany

[**] Term: **14 Years**

[21] Appl. No.: **19,058**

[22] Filed: **Feb. 22, 1994**

[30] **Foreign Application Priority Data**

Aug. 23, 1993 [DE] Germany DM/027066

[52] U.S. Cl. **D8/98**

[58] Field of Search D8/51, 52, 98, 14;
83/614, 745; 30/293, 276, 292, 314, 315, 346,
351

[56] **References Cited**

U.S. PATENT DOCUMENTS

D. 172,910 8/1954 Vennell D8/98
D. 303,074 8/1989 Agee D8/98

2,327,223	8/1943	Silver	83/614
3,527,131	9/1970	Ellerin	83/614
3,903,767	9/1975	Kupersmith	83/614
4,224,854	9/1980	Malacheski et al.	83/614
4,646,439	3/1987	Squires	30/293
4,928,391	5/1990	Higgins et al.	30/293
5,322,001	6/1994	Boda	83/614

Primary Examiner—Terry A. Wallace
Assistant Examiner—Philip Hyder
Attorney, Agent, or Firm—Antonelli, Terry, Stout & Kraus

[57] **CLAIM**

The ornamental design of for tile cutter, as shown and described.

DESCRIPTION

FIG. 1 is a perspective view of a tile cutter;
FIG. 2 is a front view thereof;
FIG. 3 is a rear view thereof;
FIG. 4 is a top plan view thereof, the bottom plan view is plain and unornameted;
FIG. 5 is a right side view thereof; and,
FIG. 6 is a left side view thereof.

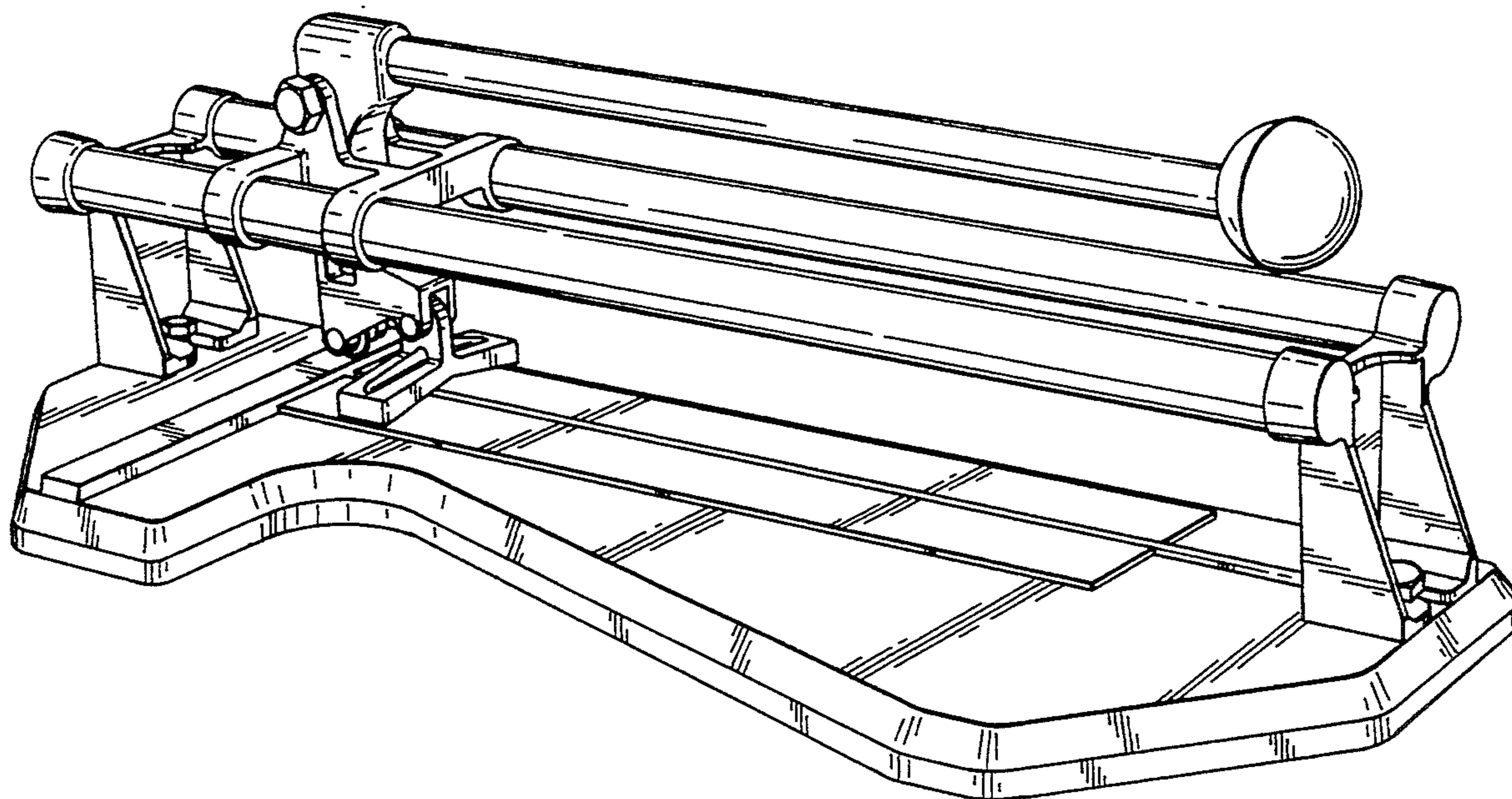


FIG. 1

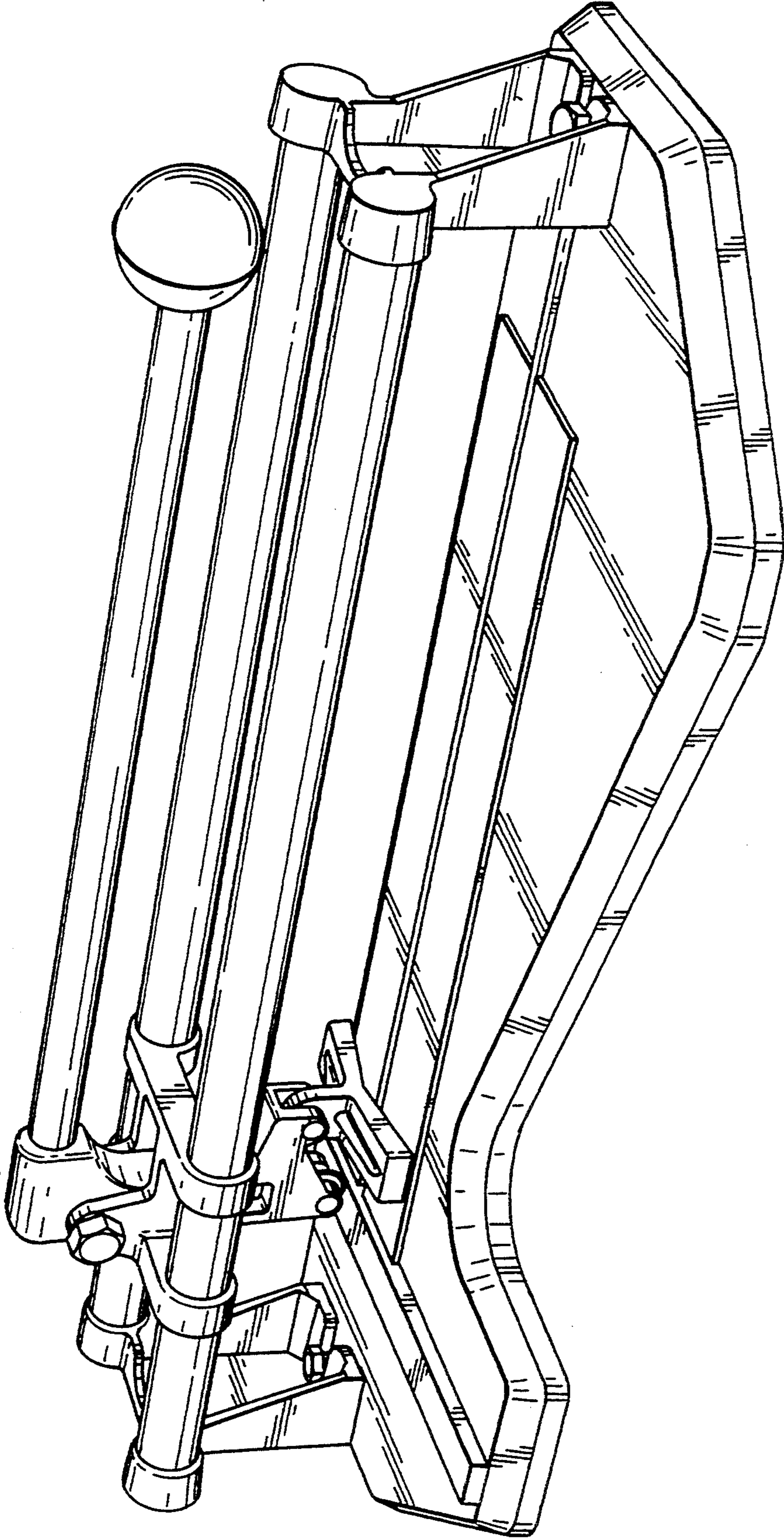


FIG. 2

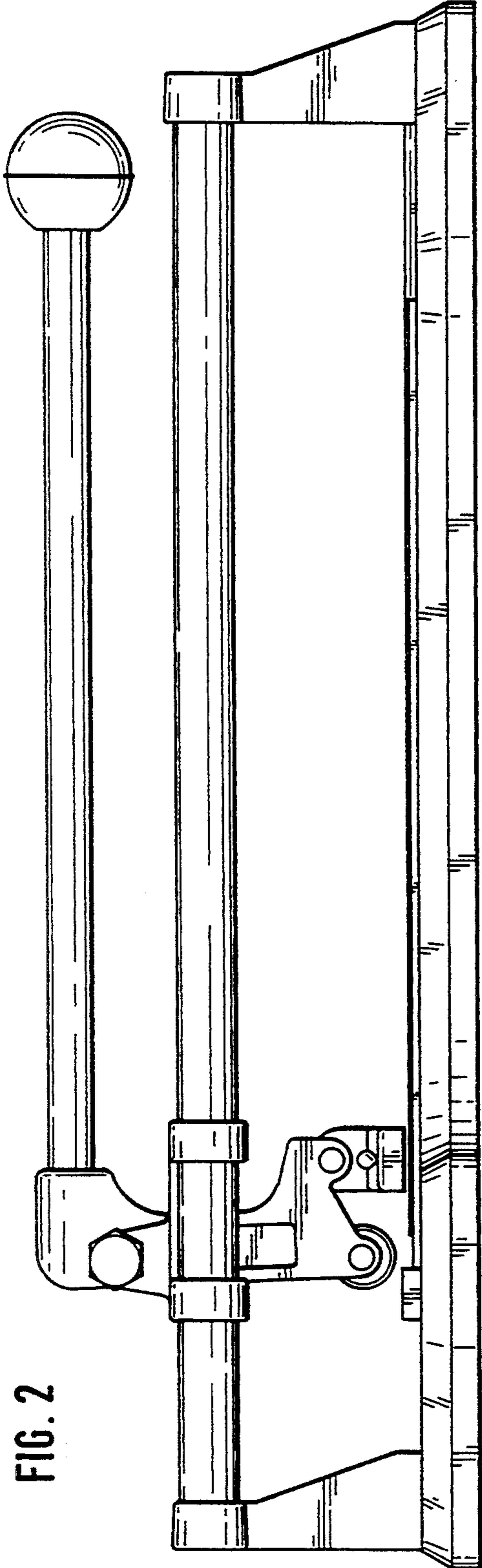


FIG. 3

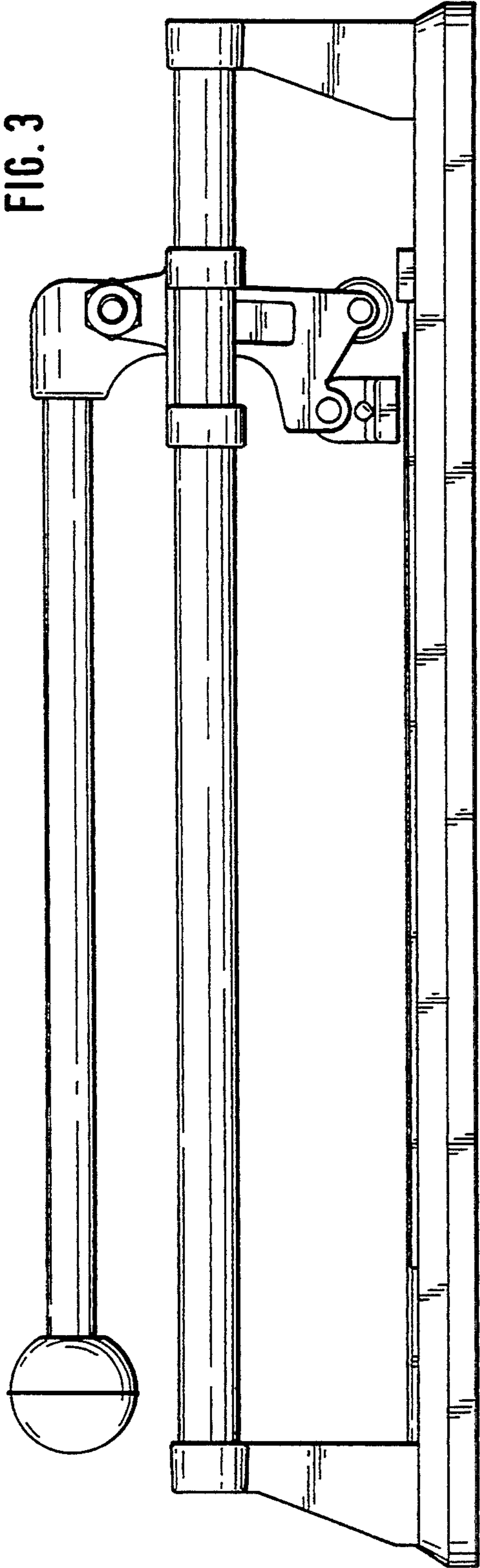


FIG. 4

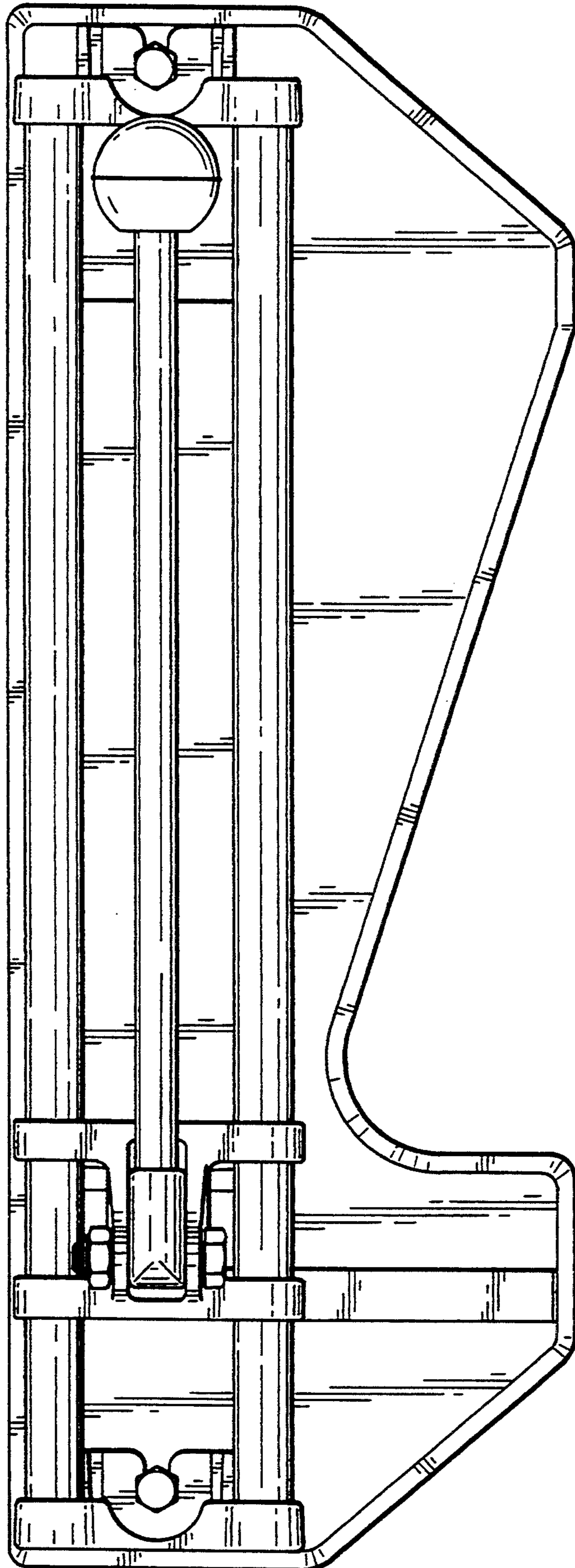


FIG. 5

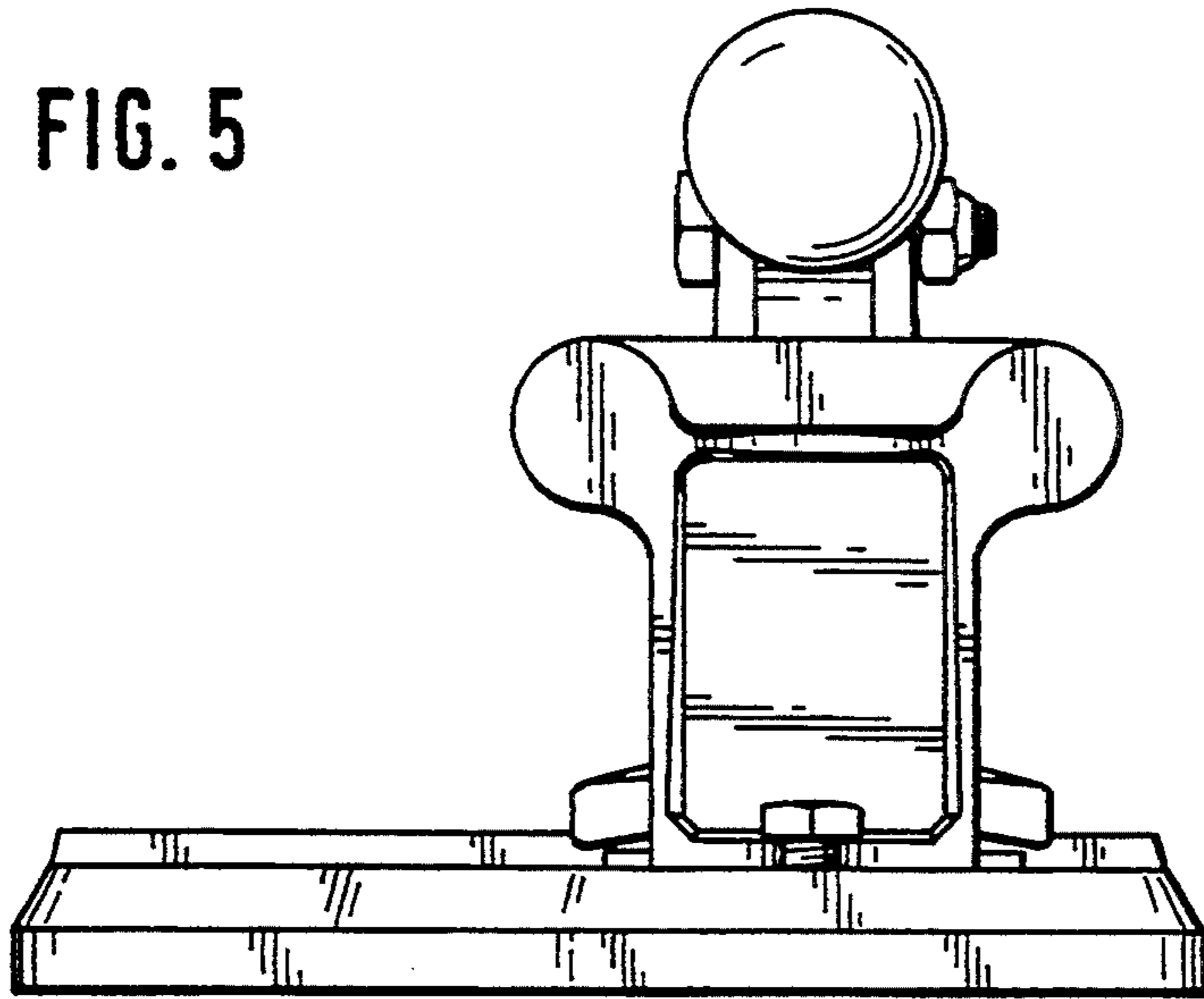


FIG. 6

