



US00D359431S

United States Patent [19]
Motley

[11] **Patent Number: Des. 359,431**
[45] **Date of Patent: ** Jun. 20, 1995**

[54] **WIRE FENCE TIGHTENER**

[76] **Inventor: Marvin D. Motley, 28818 SE. 216th Way, Maple Valley, Wash. 98038**

[**] **Term: 14 Years**

[21] **Appl. No.: 11,718**

[22] **Filed: Aug. 12, 1993**

[52] **U.S. Cl. D8/44**

[58] **Field of Search D8/14, 44; 140/93.2, 140/93.4, 93.6; 24/69 WT, 131 R; 294/26**

[56] **References Cited**

U.S. PATENT DOCUMENTS

D. 34,630	6/1901	Elder	D8/44
D. 234,903	4/1975	Berg et al.	D8/44
D. 303,342	9/1989	Katz	D8/29
494,945	4/1893	Wallace	294/26
1,663,183	3/1928	Emmler	D8/44 X
2,450,358	9/1948	Romano	D8/44 X

OTHER PUBLICATIONS

Wire Tightener (Item No. 4): Farm Equipment Magazine Fall '93.

Reel-Tite Fence Tightener (Item No. 5): Farm Equipment Mag. Fall '93.

Use Wire Tites (Item No. 6): Farm Equip Mag. Fall '93. Twist Tight—Photo #2; photocopy.

Primary Examiner—Terry A. Wallace

Assistant Examiner—Richelle Shelton

Attorney, Agent, or Firm—Dean A. Craine

[57] **CLAIM**

The ornamental design for a wire fence tightener, as shown and described.

DESCRIPTION

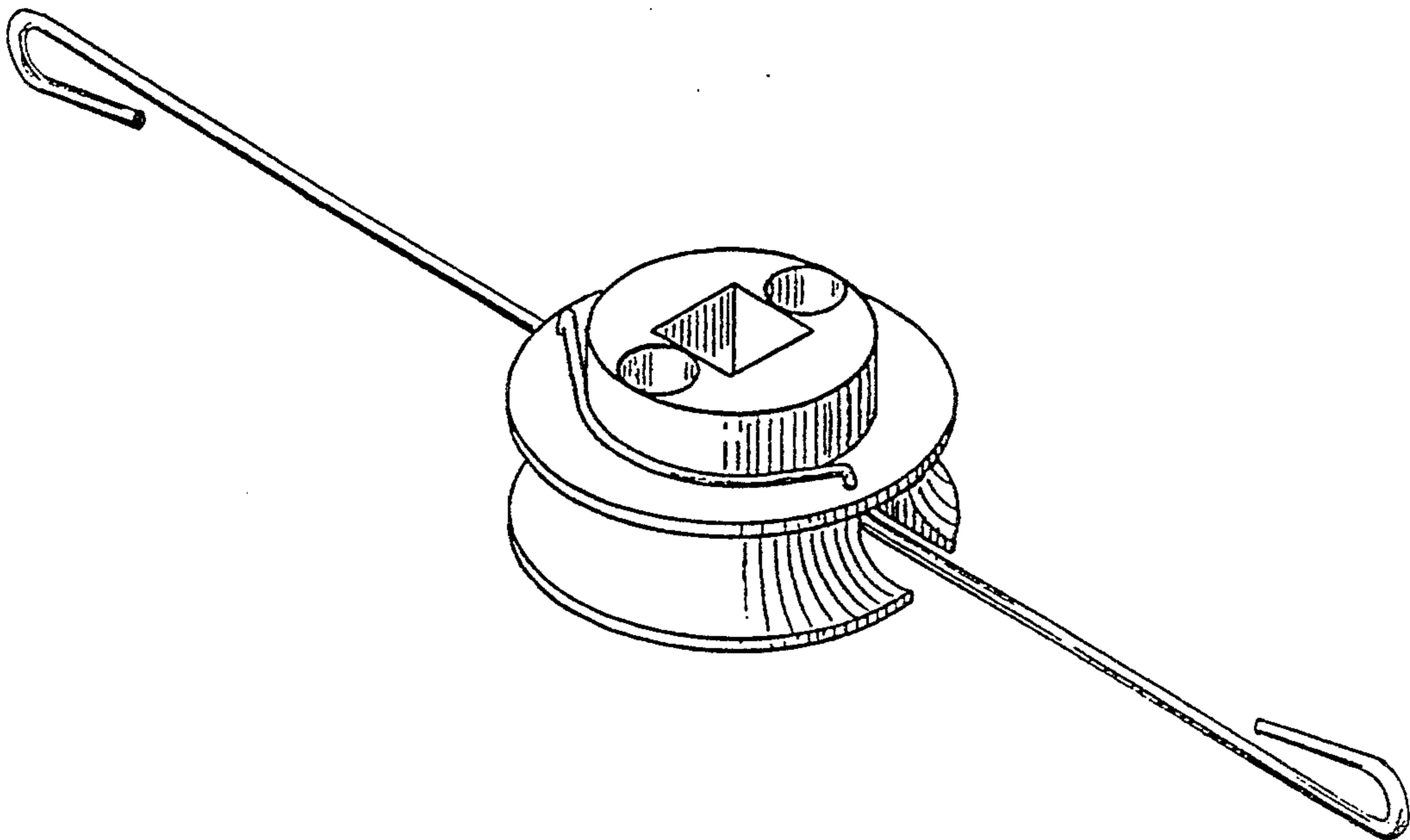
FIG. 1 is a top perspective view of a wire fence tightener showing my new design;

FIG. 2 is a top plan view thereof;

FIG. 3 is a bottom plan view thereof;

FIG. 4 is a front elevation view thereof, the rear elevation view being identical with the exception of the central wire section not shown; and,

FIG. 5 is a left side elevation view thereof, the right side elevation view being a mirror image.



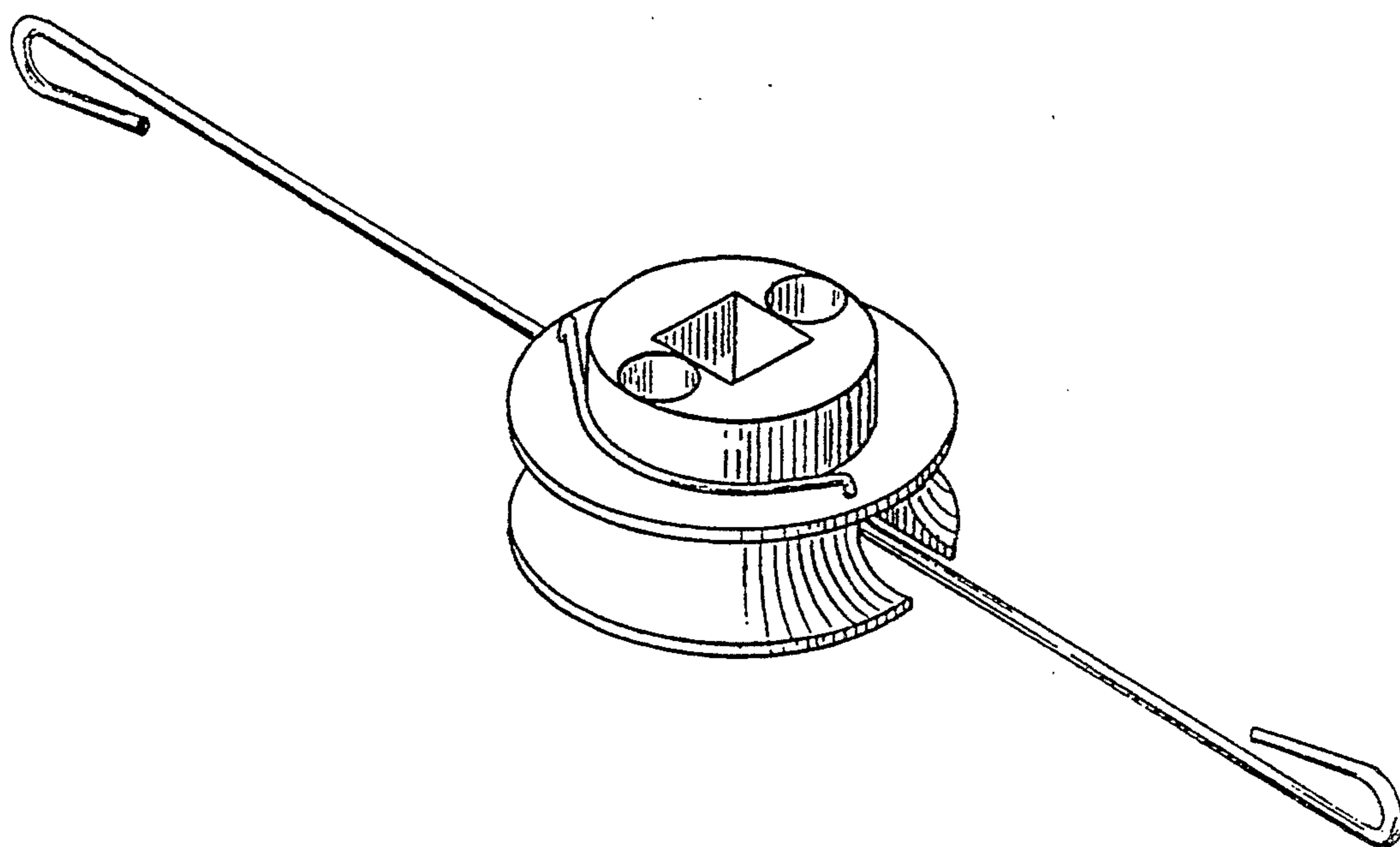


FIG. 1.

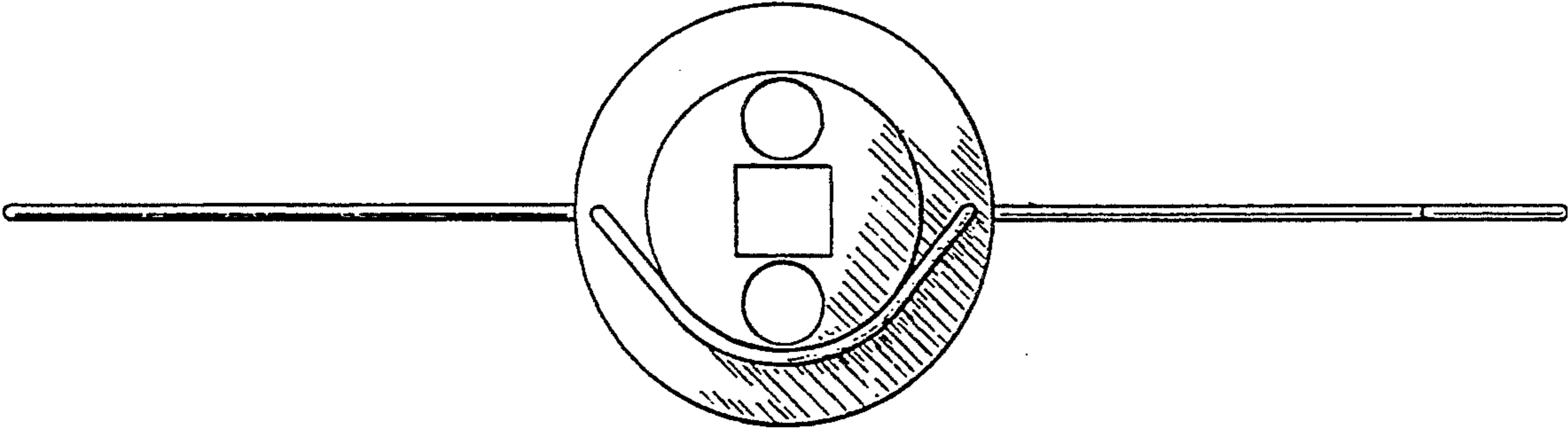


FIG. 2.

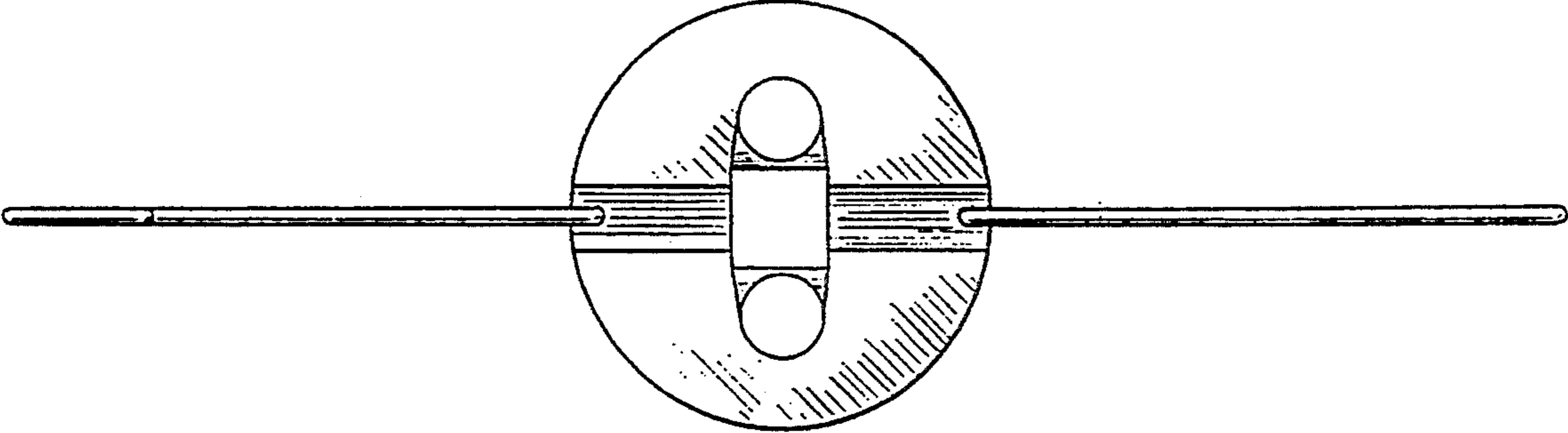


FIG. 3.

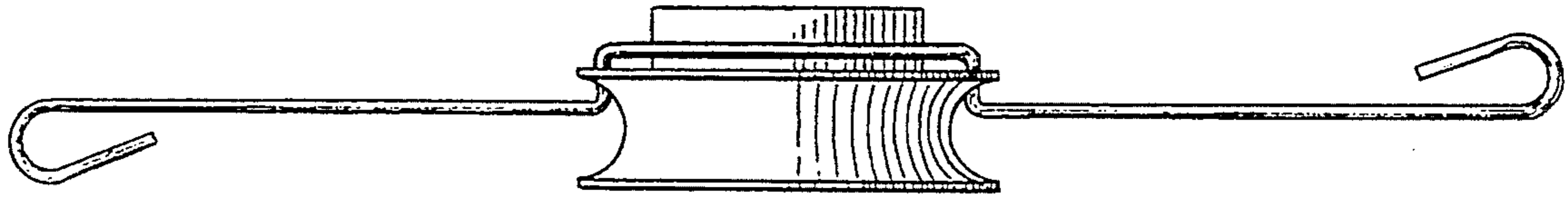


FIG. 4.

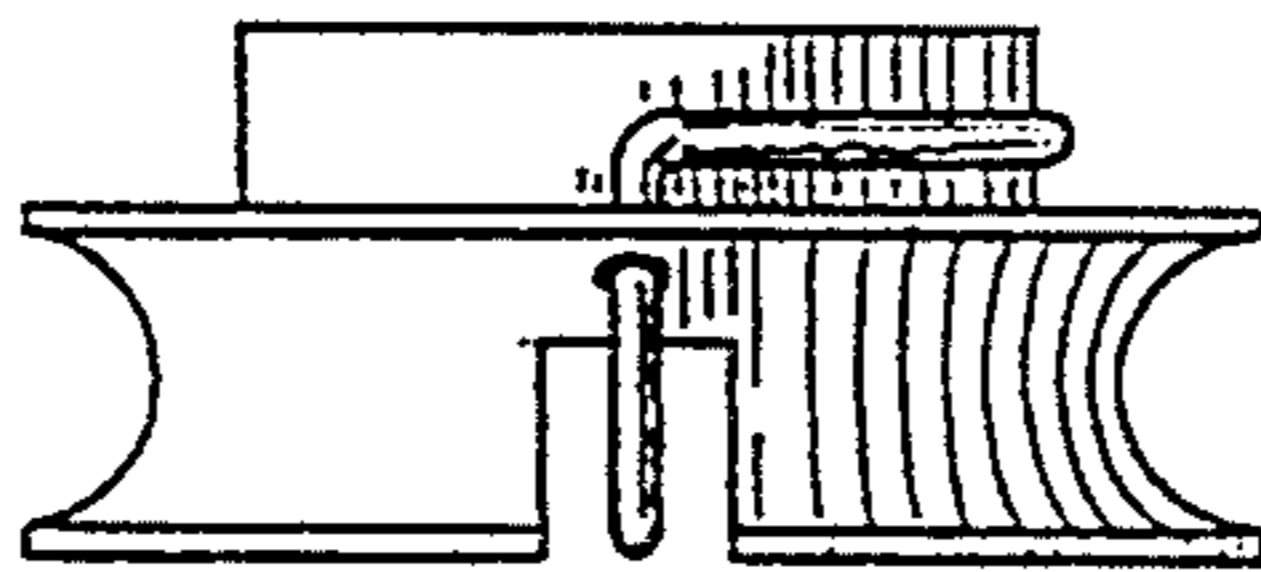


FIG. 5.