



US00D359427S

United States Patent [19]

[11] Patent Number: **Des. 359,427**

Birkholz

[45] Date of Patent: **** Jun. 20, 1995**

[54] **PIVOTED HAND TOOL HANDLE**

[57] **CLAIM**

[75] Inventor: **Douglas J. Birkholz**, Deforest, Wis.

The ornamental design for a pivoted hand tool handle, as shown and described.

[73] Assignee: **Fiskars Inc.**, Madison, Wis.

DESCRIPTION

[**] Term: **14 Years**

FIG. 1 is a perspective view of a pivoted hand tool handle showing my new design;

[21] Appl. No.: **26,148**

FIG. 2 is a side elevational view thereof;

[22] Filed: **Jul. 20, 1994**

FIG. 3 is a top plan view thereof;

[52] U.S. Cl. **D8/5; D8/51; D8/107**

FIG. 4 is an opposite side elevational view thereof;

[58] Field of Search **D8/5, 107, 49, 51; 81/177.1, 177.7, 489; 30/251-252, 254, 260, 261-262; 7/167-168**

FIG. 5 is a front elevational view thereof;

FIG. 6 is a rear elevational view thereof;

FIG. 7 is a bottom plan view thereof;

FIG. 8 is a perspective view of a second embodiment of my new design; and,

[56] **References Cited**

FIG. 9 is a top plan view of the second embodiment shown in FIG. 8.

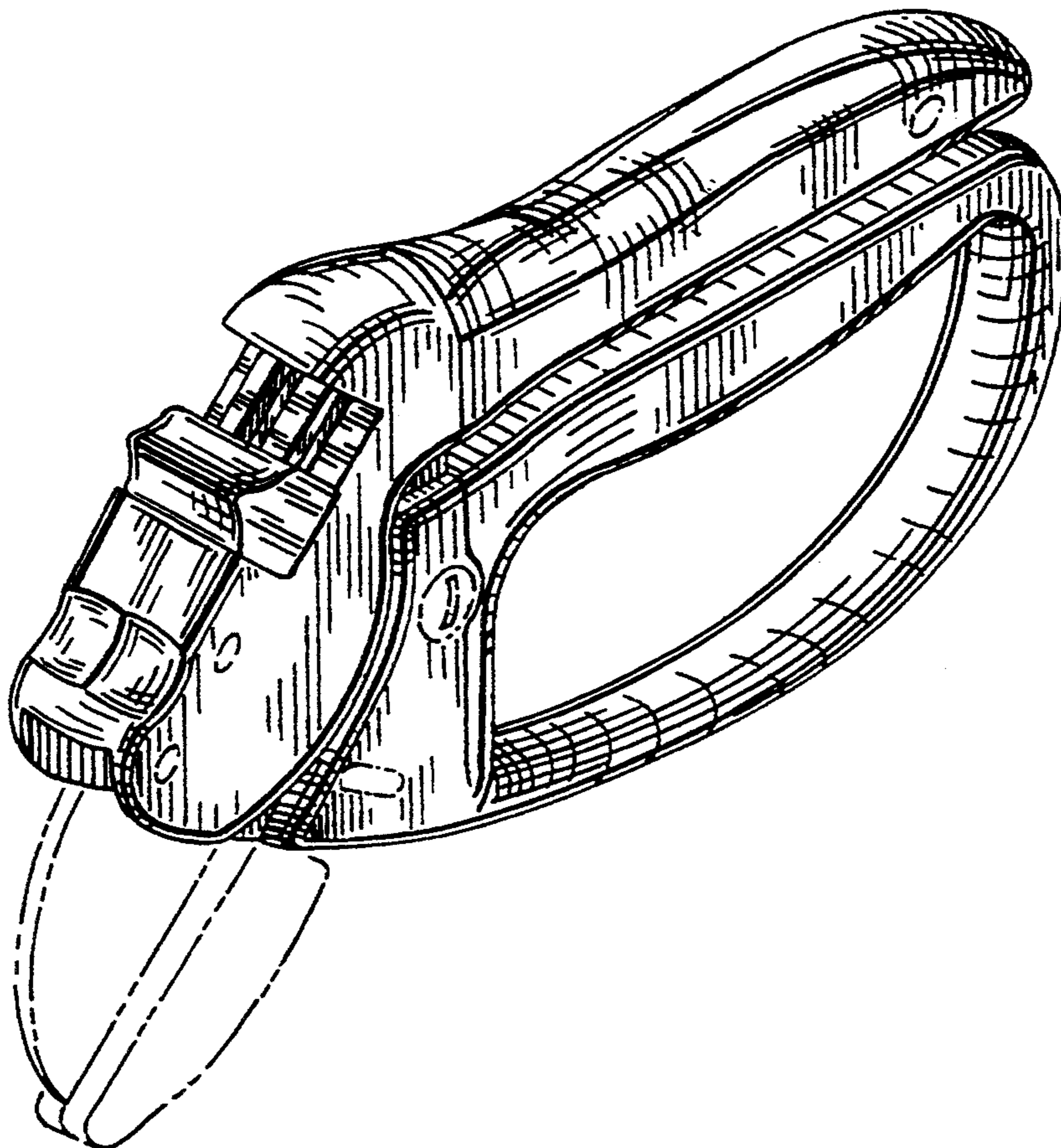
U.S. PATENT DOCUMENTS

The undisclosed opposite side view, front, rear, and bottom views of the second embodiment are identical in appearance to FIGS. 4-7, respectively, of the first embodiment, except for the presence of the ridging at the top.

- D. 210,001 1/1968 Rogers D8/5
- D. 254,243 2/1980 Florian et al. D8/107 X
- D. 305,495 1/1990 Carter D8/107 X

Primary Examiner—A. Hugo Word
Assistant Examiner—Holly Baynham
Attorney, Agent, or Firm—Foley & Lardner

The broken line illustration in the drawing disclosure is for illustrative purposes only and forms no part of the claimed design.



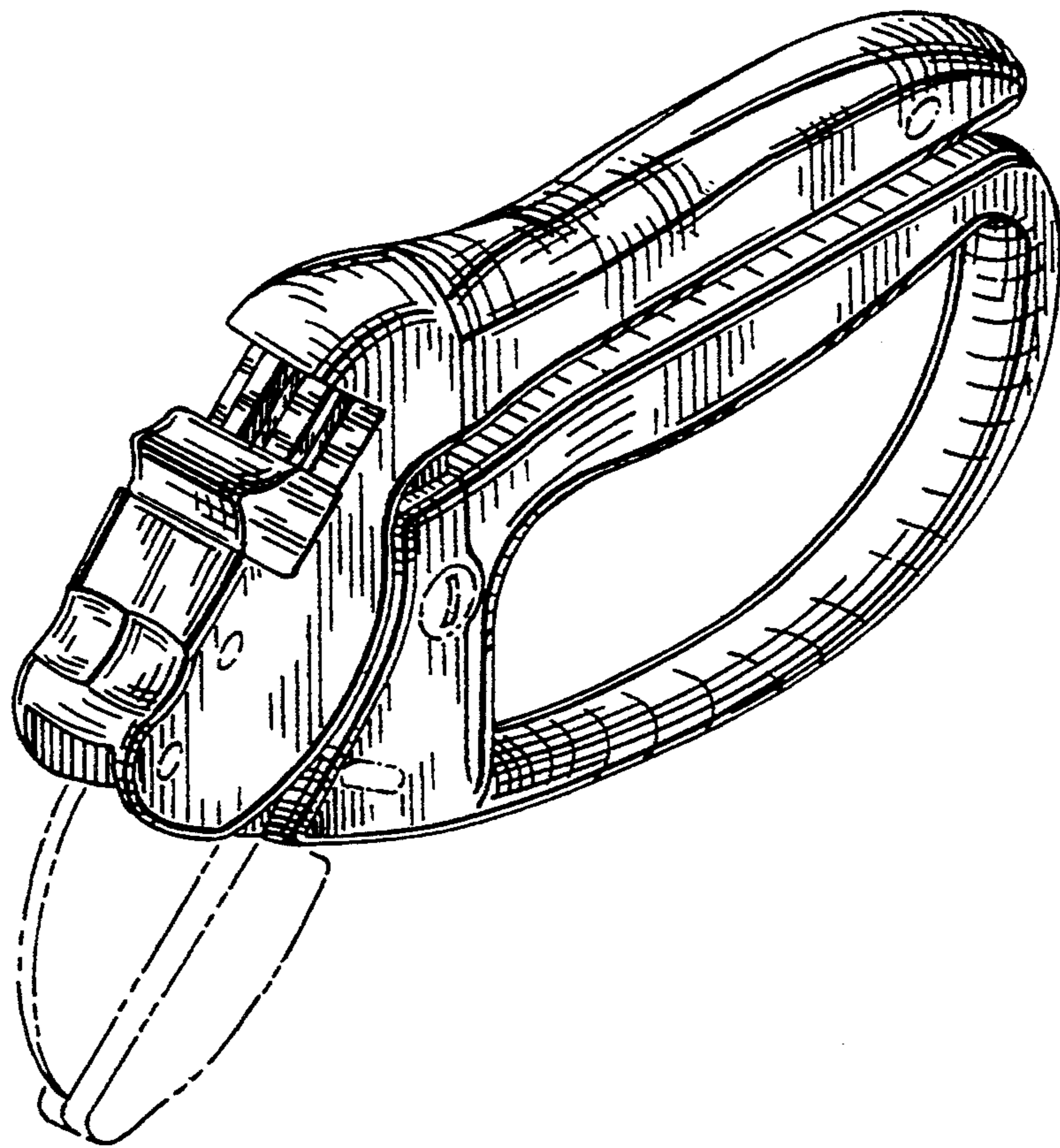


FIG.1

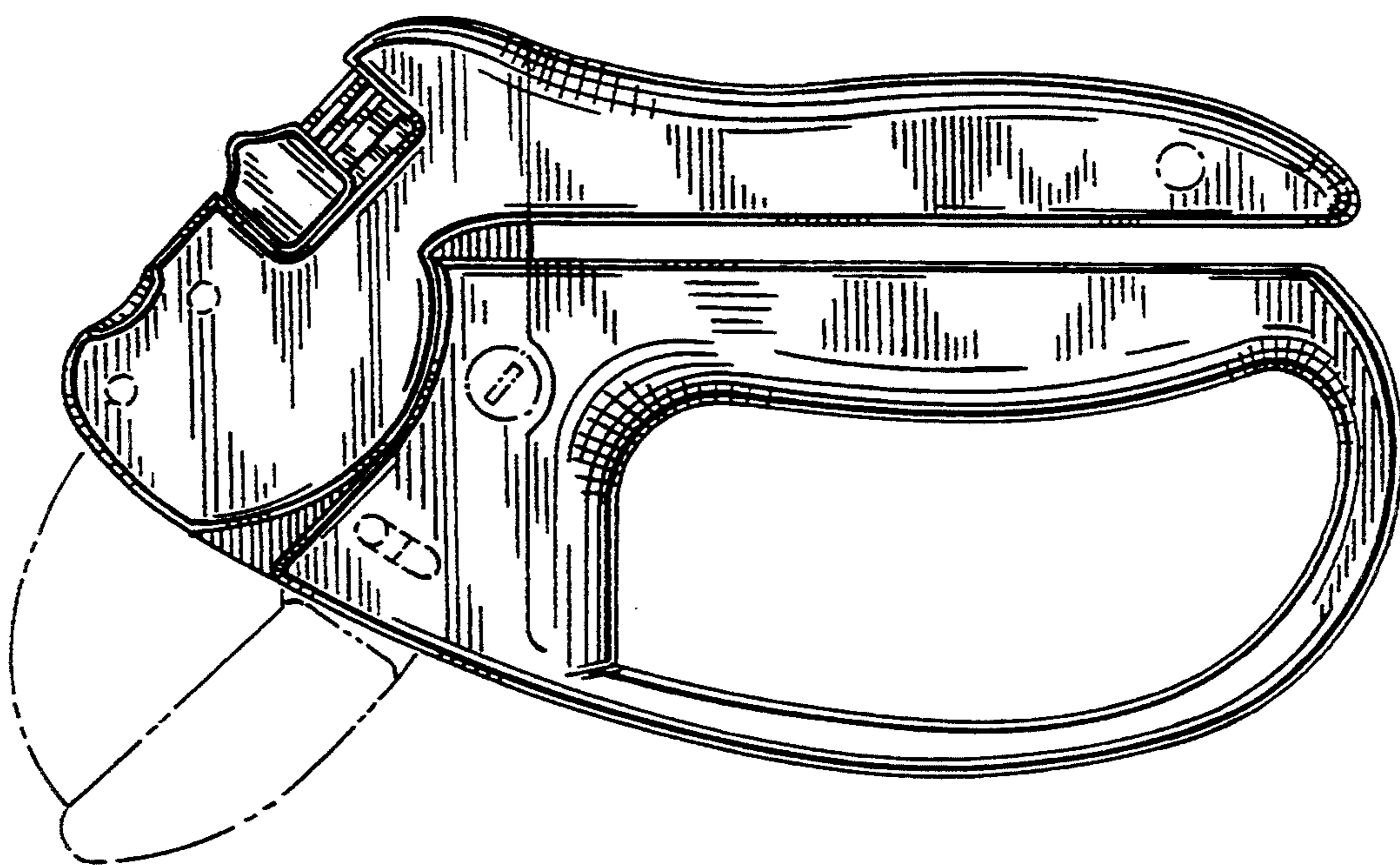


FIG.2

FIG. 3

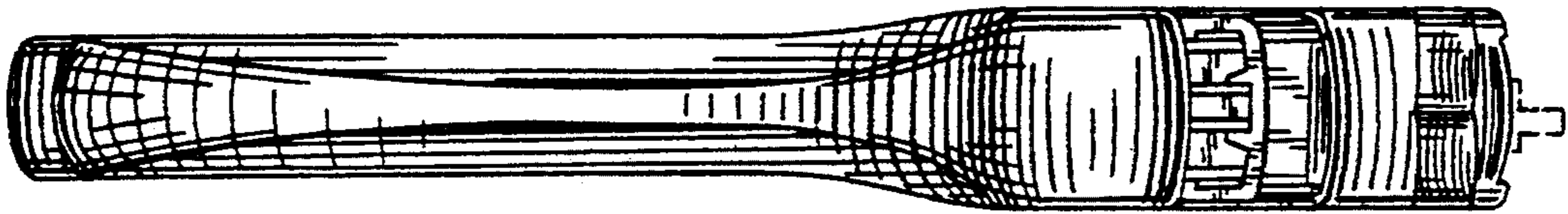


FIG. 4

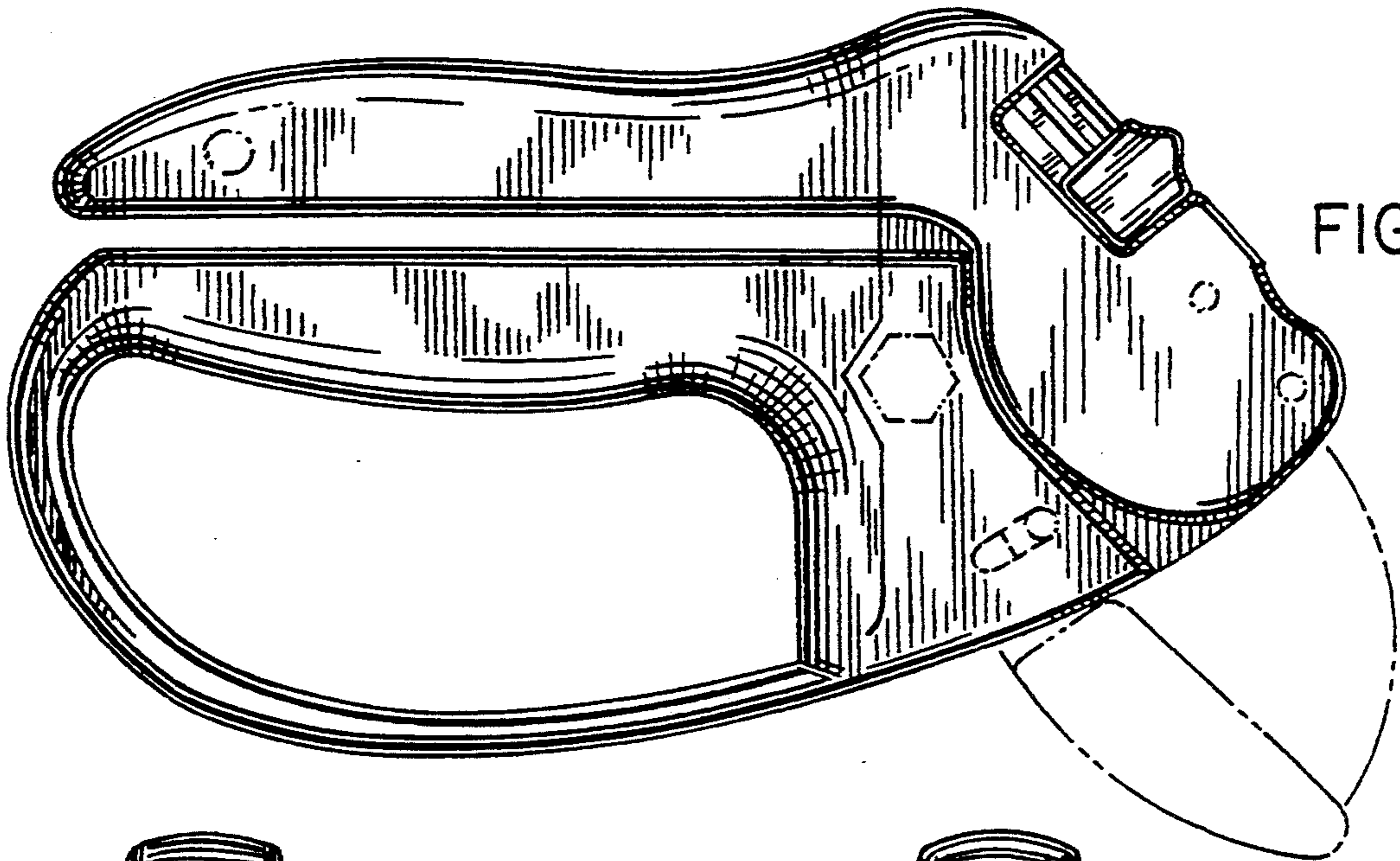


FIG. 5

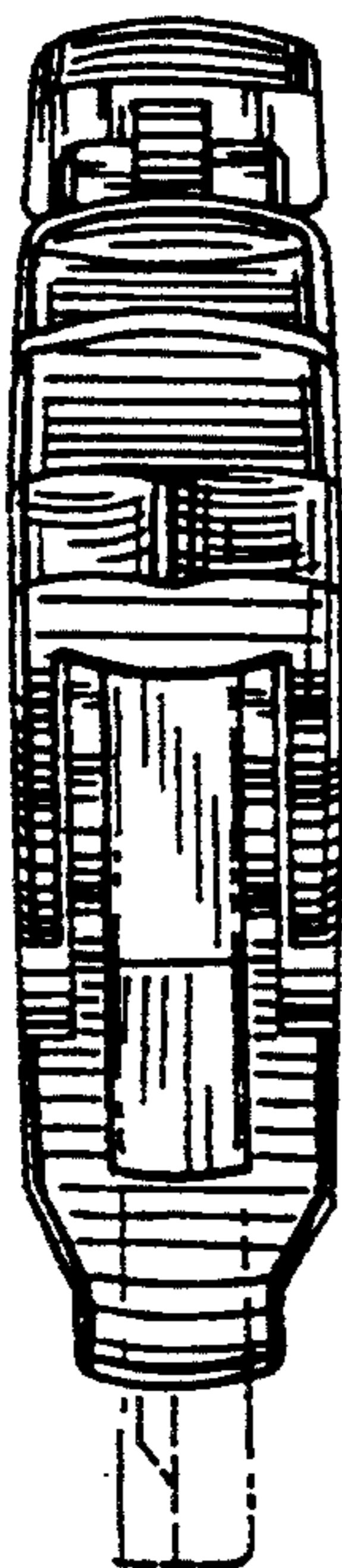


FIG. 6



FIG. 7

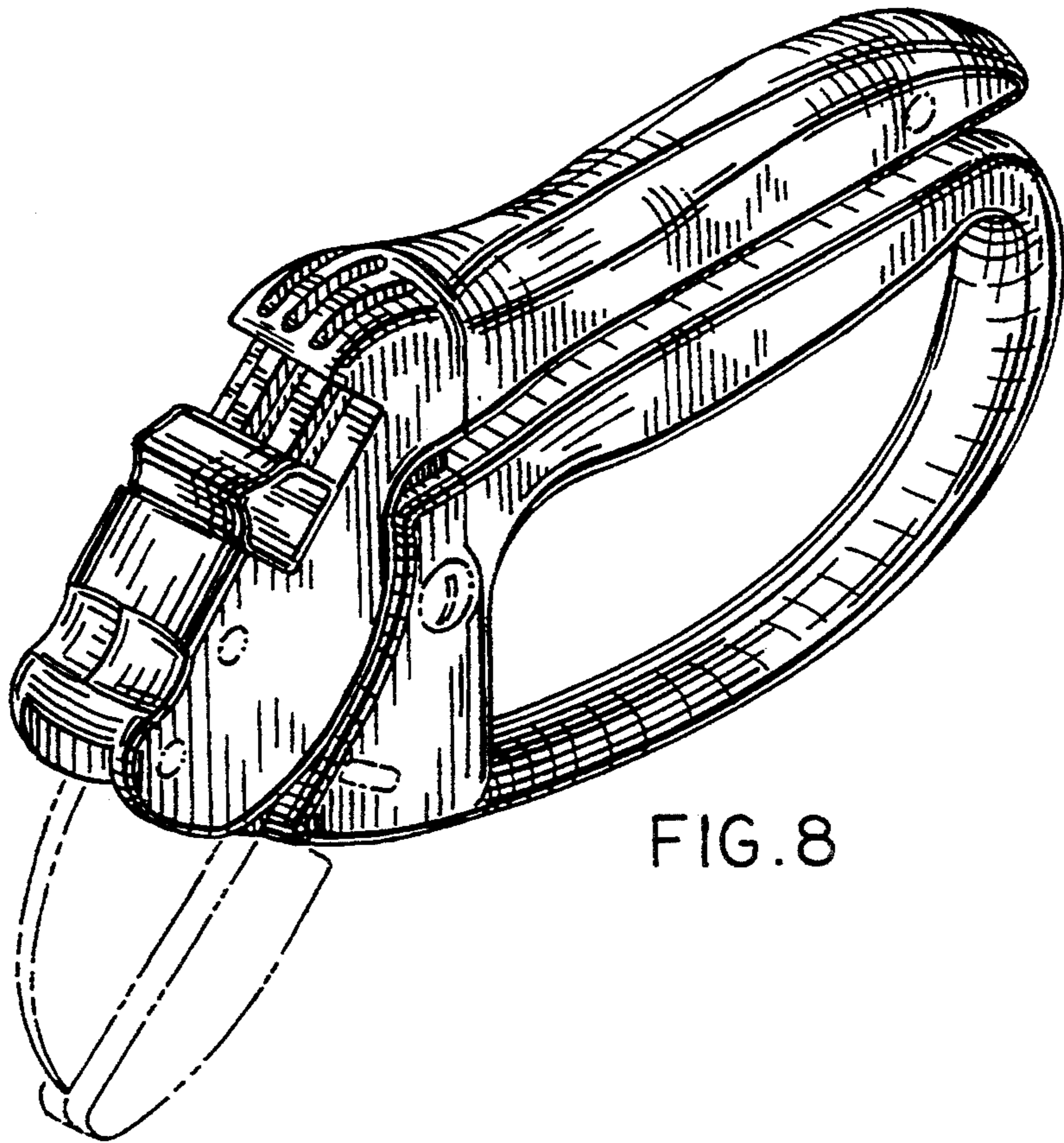
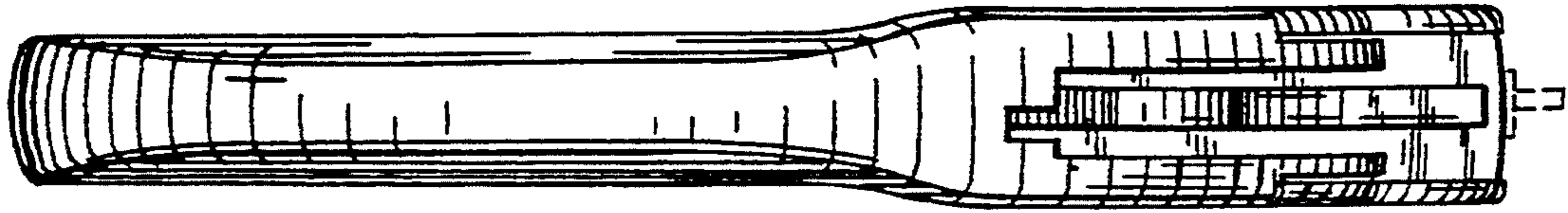


FIG. 8

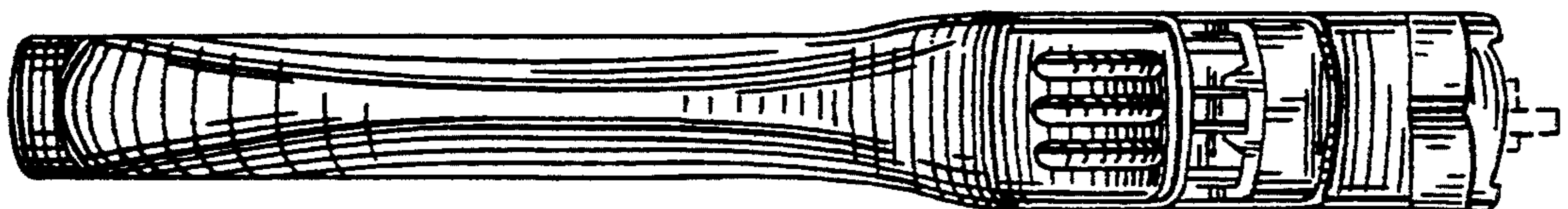


FIG. 9