



US00D359425S

United States Patent [19]

[11] Patent Number: **Des. 359,425**

Meeker et al.

[45] Date of Patent: **** Jun. 20, 1995**

[54] CUP HOLDER

2,185,907	1/1940	Alexander	108/26
2,677,520	5/1954	Marcy .	
3,270,694	9/1966	Wallace et al. .	
4,088,081	5/1978	D'Arca .	
5,118,063	6/1992	Young, Sr. .	

[75] Inventors: **Paul K. Meeker, Hiram; William R. Gibson, Canton, both of Ohio**

[73] Assignee: **Cosco, Inc., Columbus, Ind.**

[**] Term: **14 Years**

Primary Examiner—Terry A. Wallace
Attorney, Agent, or Firm—Barnes & Thornburg

[21] Appl. No.: **17,527**

[57] CLAIM

[22] Filed: **Jan. 14, 1994**

The ornamental design for a cup holder, as shown and described.

[52] U.S. Cl. **D7/708**

[58] Field of Search **D7/701-708, D7/555, 557; 108/26; 206/562-563; 211/71, 74, 75, 88; 248/311.2, 220.1; 297/194**

DESCRIPTION

[56] References Cited

U.S. PATENT DOCUMENTS

1,315,852	9/1919	Mitchell .
1,527,042	2/1925	Gaut .
1,715,715	6/1929	McVey .
1,872,491	8/1932	Noetzel .
2,147,539	2/1939	Marchant .

FIG. 1 is a perspective view of a cup holder showing our new design, the table top shown in broken lines for illustrative purposes only and forming no part of the claimed design;

FIG. 2 is a front elevational view thereof;

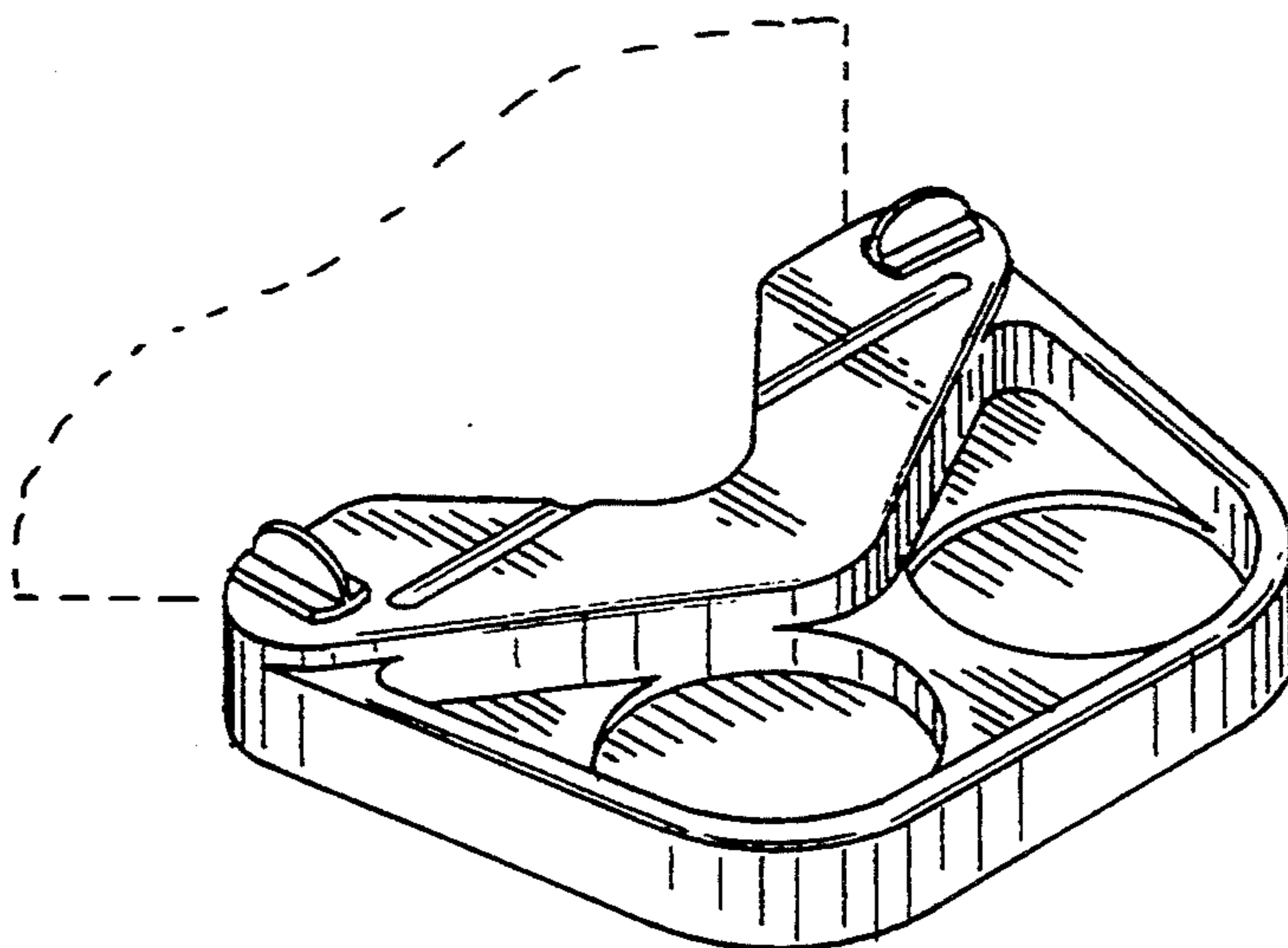
FIG. 3 is a top plan view thereof;

FIG. 4 is a left side elevational view thereof;

FIG. 5 is a right side elevational view thereof;

FIG. 6 is a rear elevational view thereof; and,

FIG. 7 is a bottom plan view thereof.



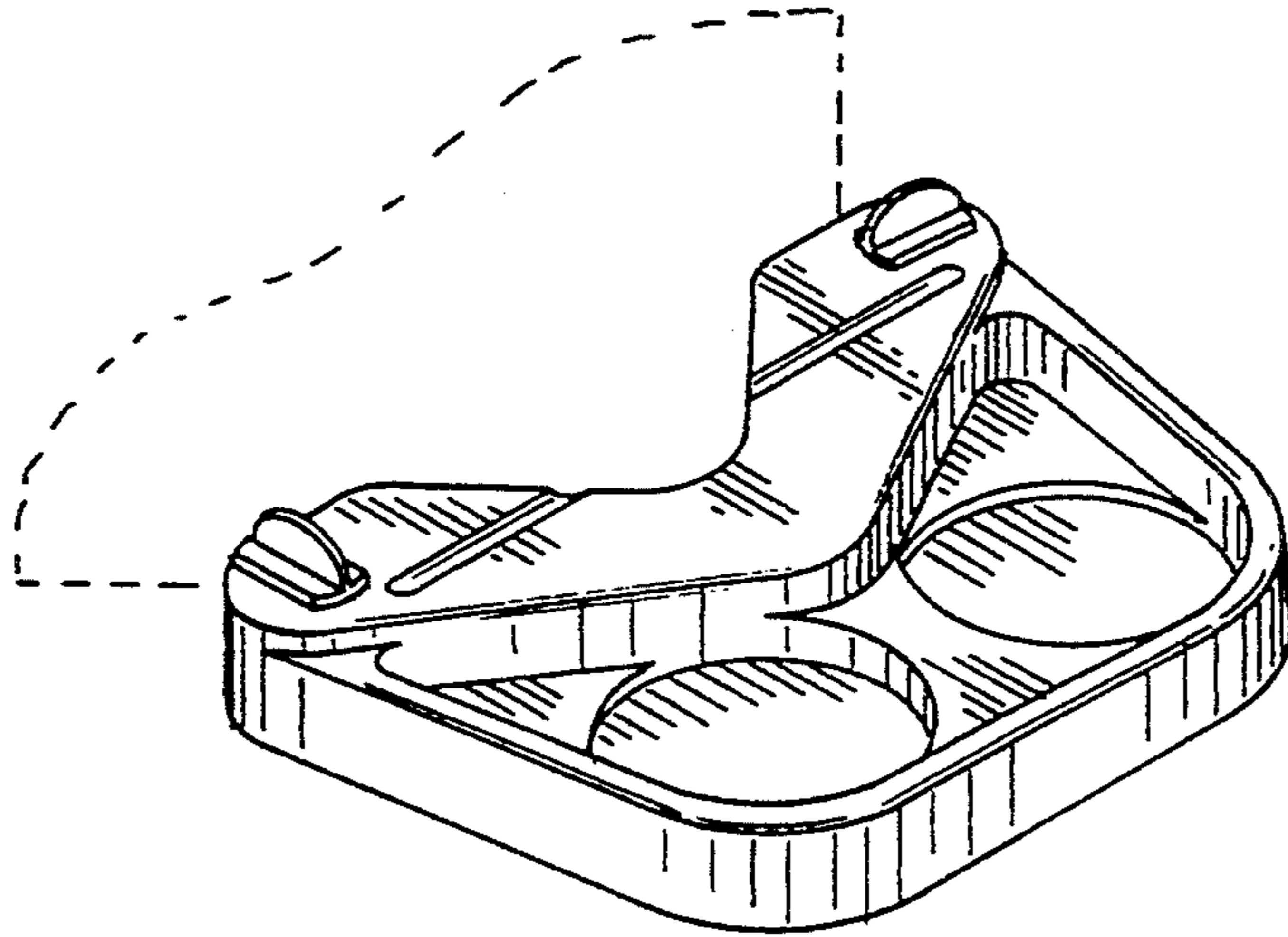


FIG. 1

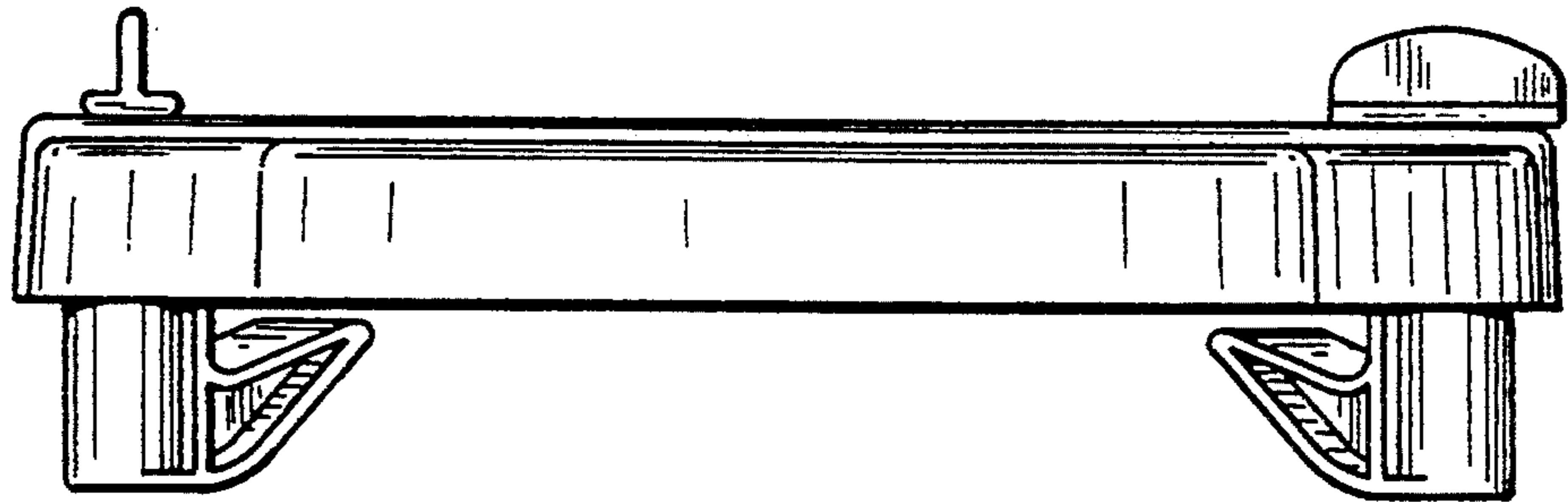


FIG. 2

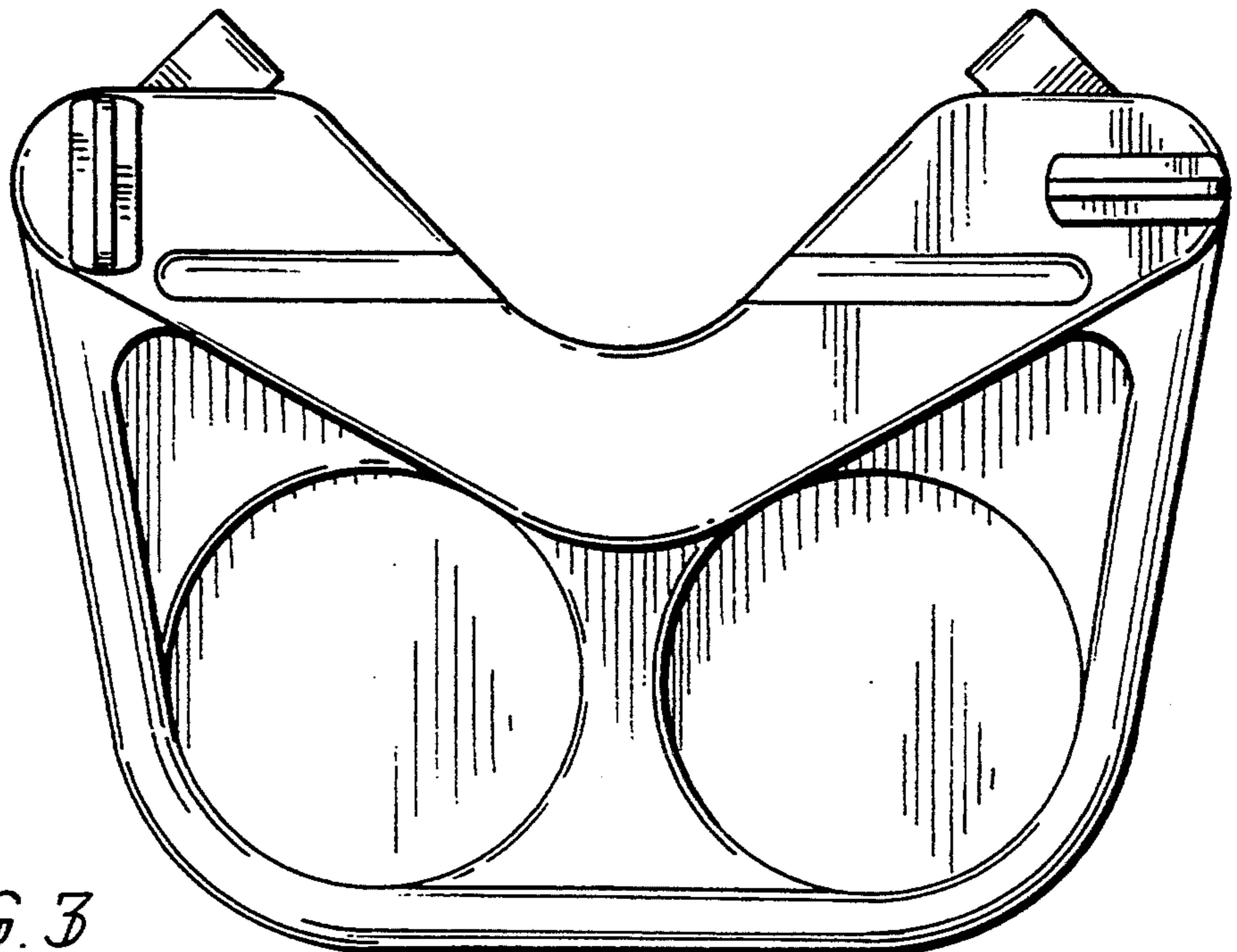


FIG. 3

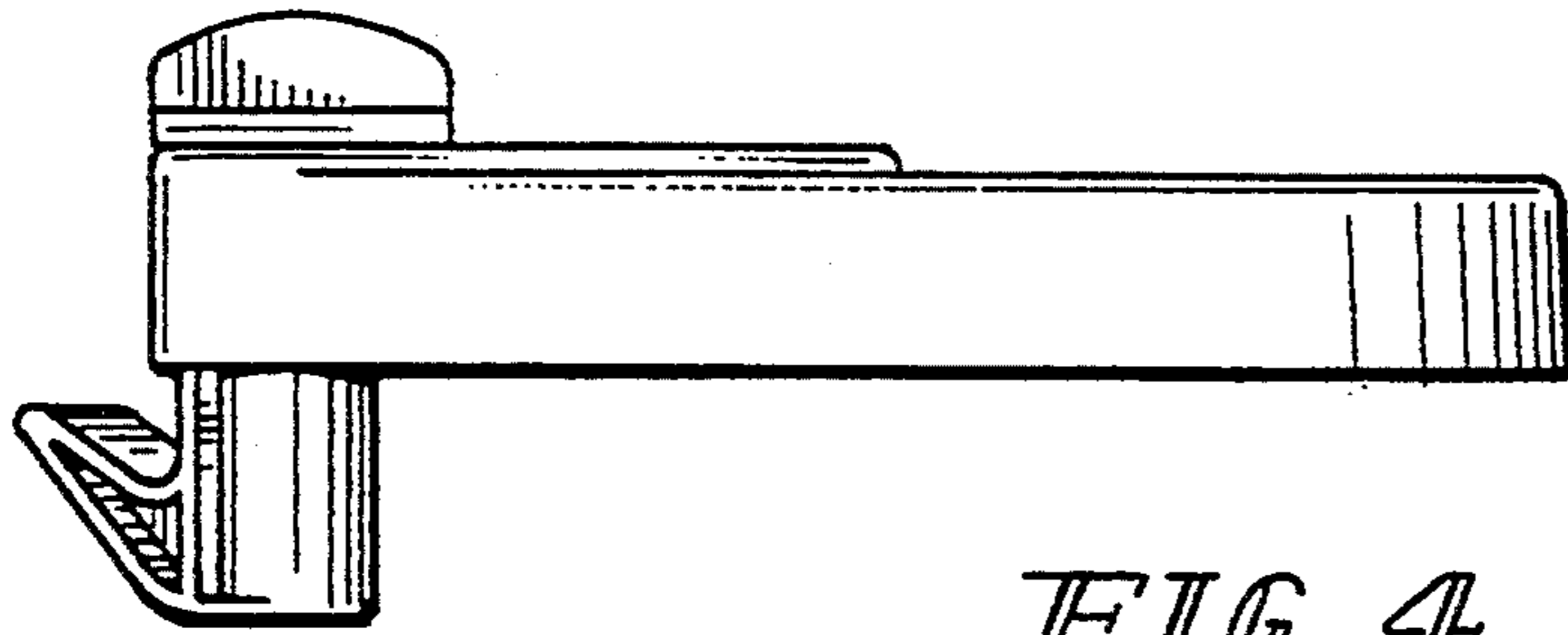


FIG. 4

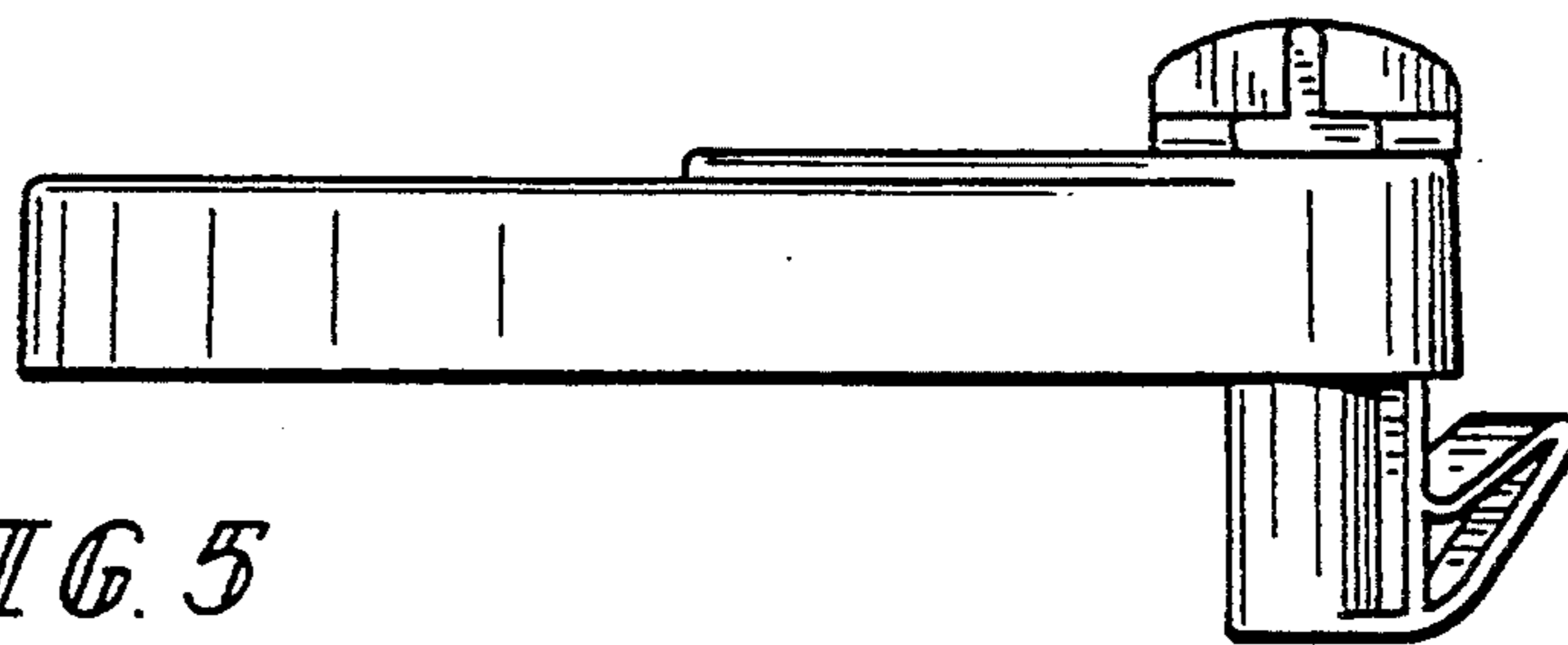


FIG. 5

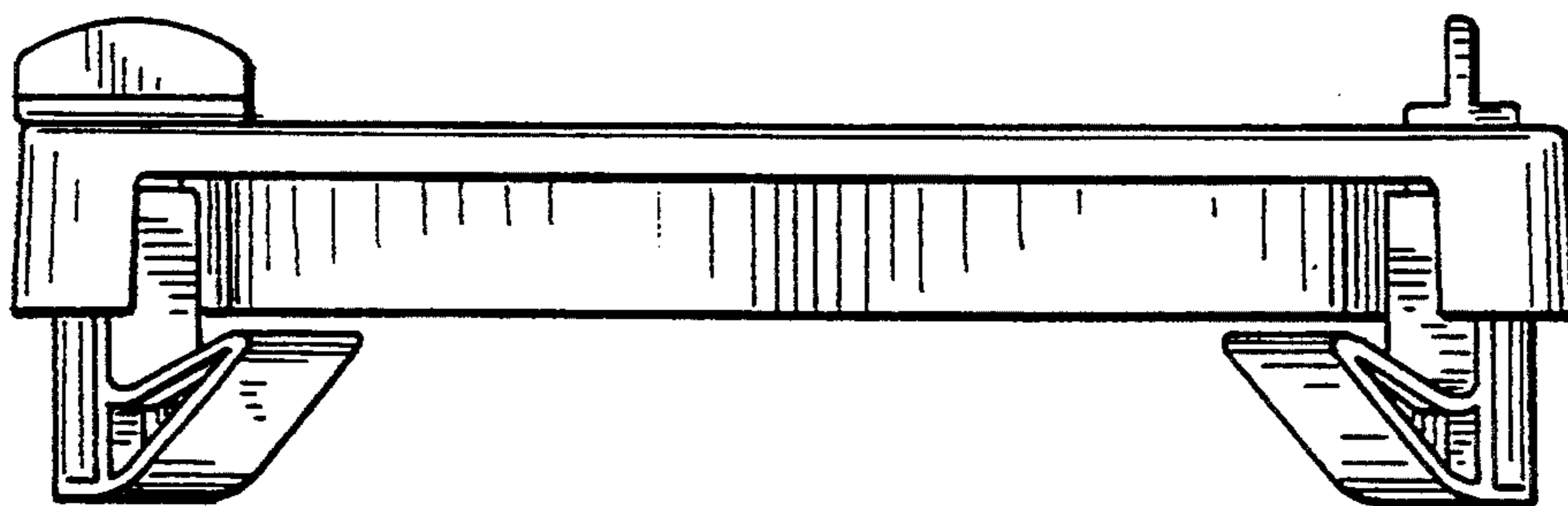


FIG. 6

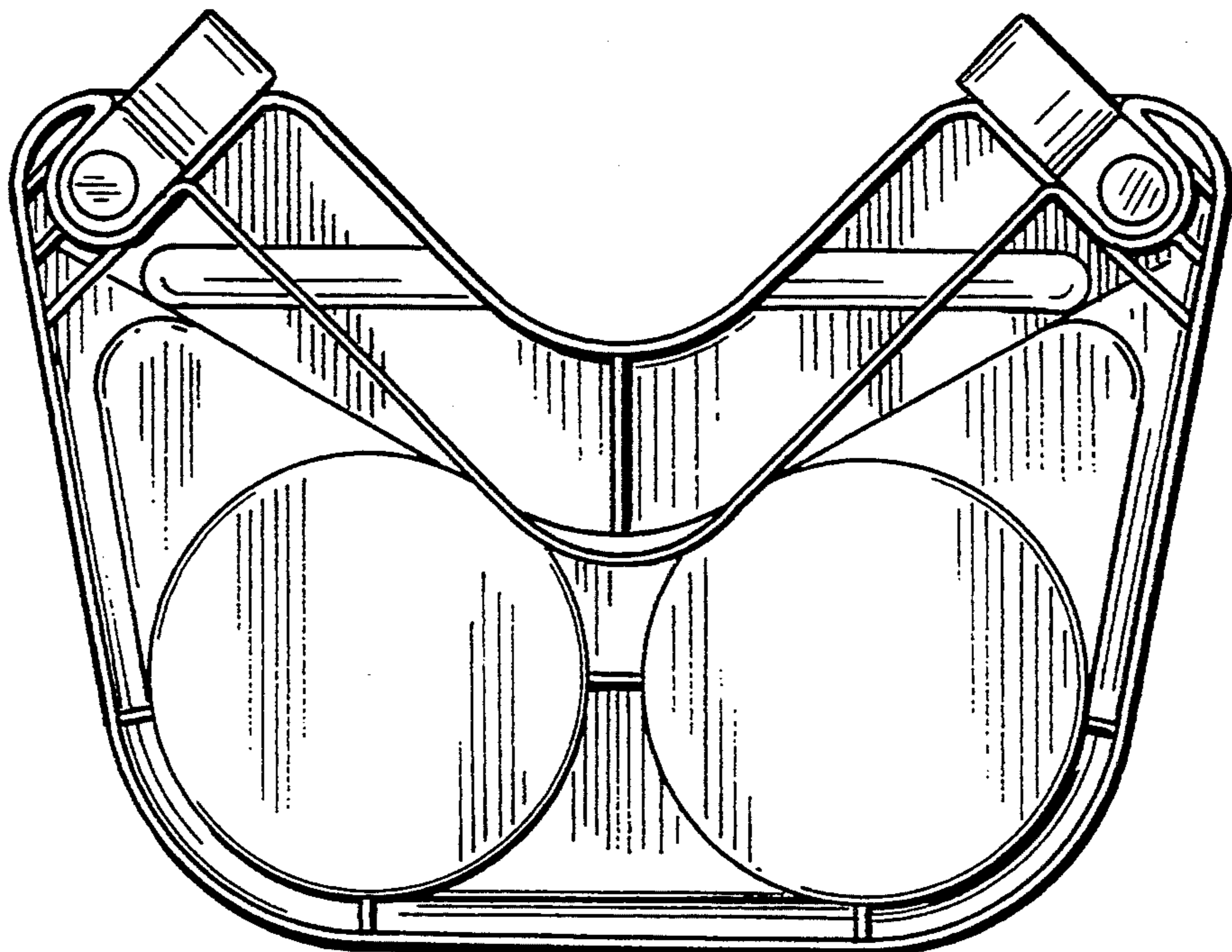


FIG. 7