



US00D359414S

United States Patent [19]

[11] Patent Number: **Des. 359,414**

Kahlcke

[45] Date of Patent: **** Jun. 20, 1995**

[54] **HOUSEHOLD ELECTRIC COFFEEMAKER**

[75] Inventor: **Hartwig Kahlcke**, Kronberg, Germany

[73] Assignee: **Robert Krups GmbH & Co. KG**, Solingen, Germany

[*] Notice: The portion of the term of this patent subsequent to May 30, 2009 has been disclaimed.

[**] Term: **14 Years**

[21] Appl. No.: **9,336**

[22] Filed: **Jun. 11, 1993**

[30] **Foreign Application Priority Data**

Dec. 11, 1992 [FR] France 92 7518

[52] U.S. Cl. **D7/309; D7/310; D7/311**

[58] Field of Search **D7/300, 304, 213, 305, D7/306, 307, 308, 309, 310, 311, 312; 99/275, 279, 295**

[56] **References Cited**

U.S. PATENT DOCUMENTS

D. 288,517 3/1987 Kahlcke D7/309

D. 316,004	4/1991	Eugster	D7/310 X
D. 328,217	7/1992	Beeren	D7/309
D. 336,207	7/1993	Brookshire	D7/309
D. 339,711	9/1993	Precht et al.	D7/310 X
D. 339,953	10/1993	Bunn et al.	D7/310 X
D. 339,954	10/1993	Bunn et al.	D7/311 X
D. 345,882	4/1994	Maass	D7/309
D. 345,883	4/1994	Maass	D7/309
D. 346,298	4/1994	Brady et al.	D7/311
D. 347,961	6/1994	Beeren	D7/309

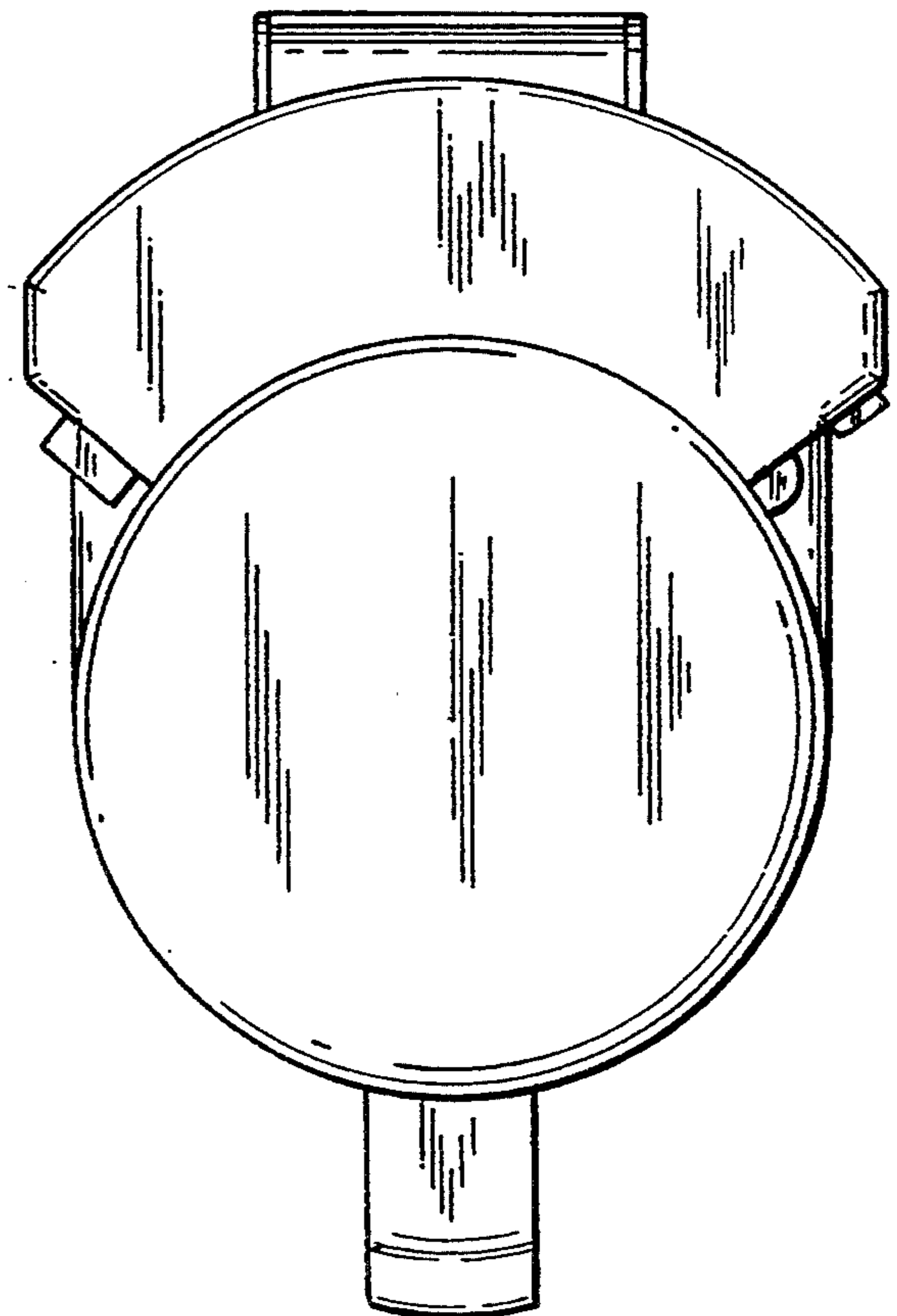
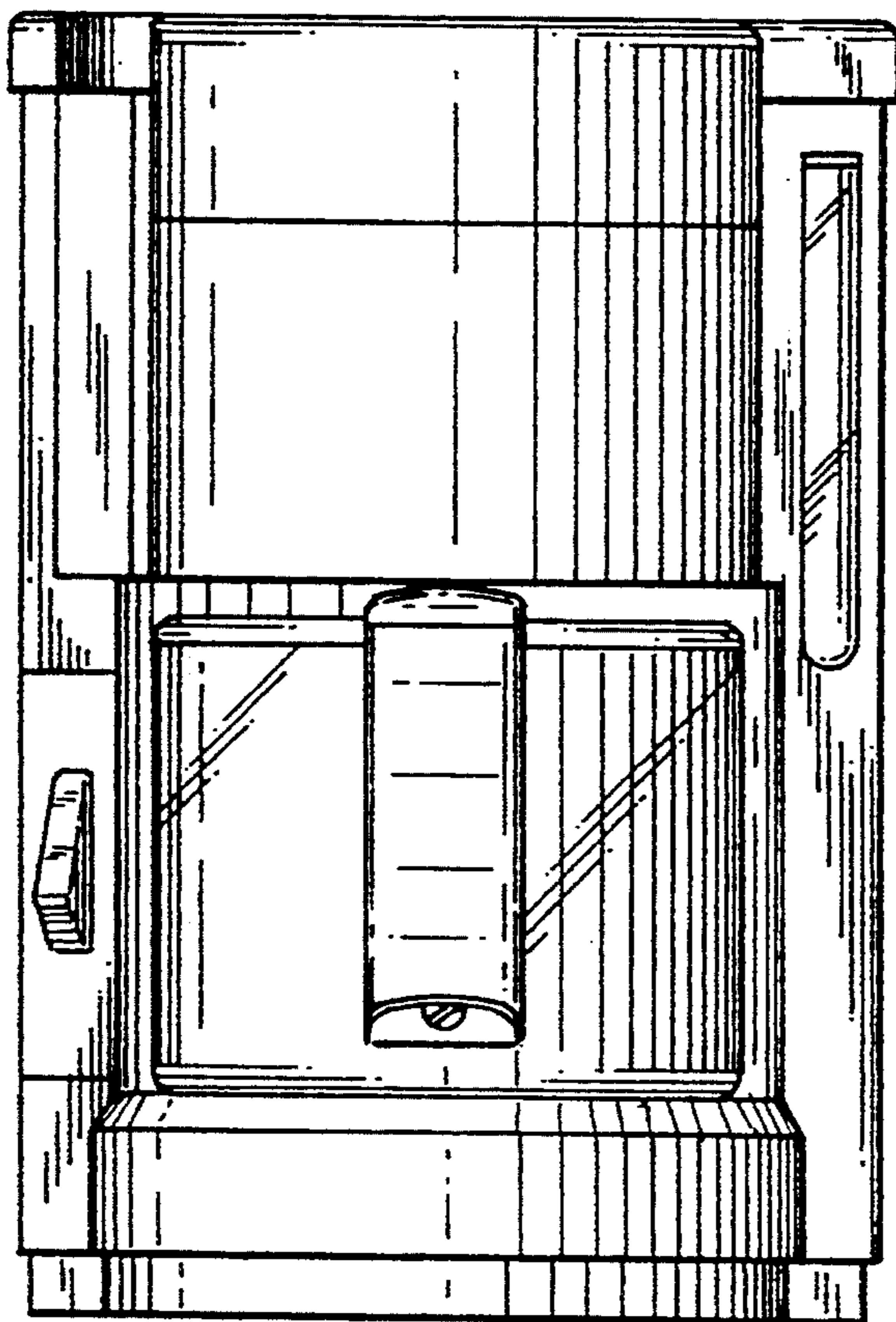
Primary Examiner—Alan P. Douglas
Assistant Examiner—M. N. Pandozzi
Attorney, Agent, or Firm—Young & Thompson

[57] **CLAIM**

The ornamental design for a household electric coffee-maker, as shown.

DESCRIPTION

FIG. 1 is a front elevational view of a household electric coffeemaker showing my new design;
FIG. 2 is a side elevational view thereof from the left of FIG. 1;
FIG. 3 is a side elevational view thereof from the right of FIG. 1;
FIG. 4 is a rear elevational view thereof;
FIG. 5 is a top plan view thereof; and,
FIG. 6 is a bottom plan view thereof.



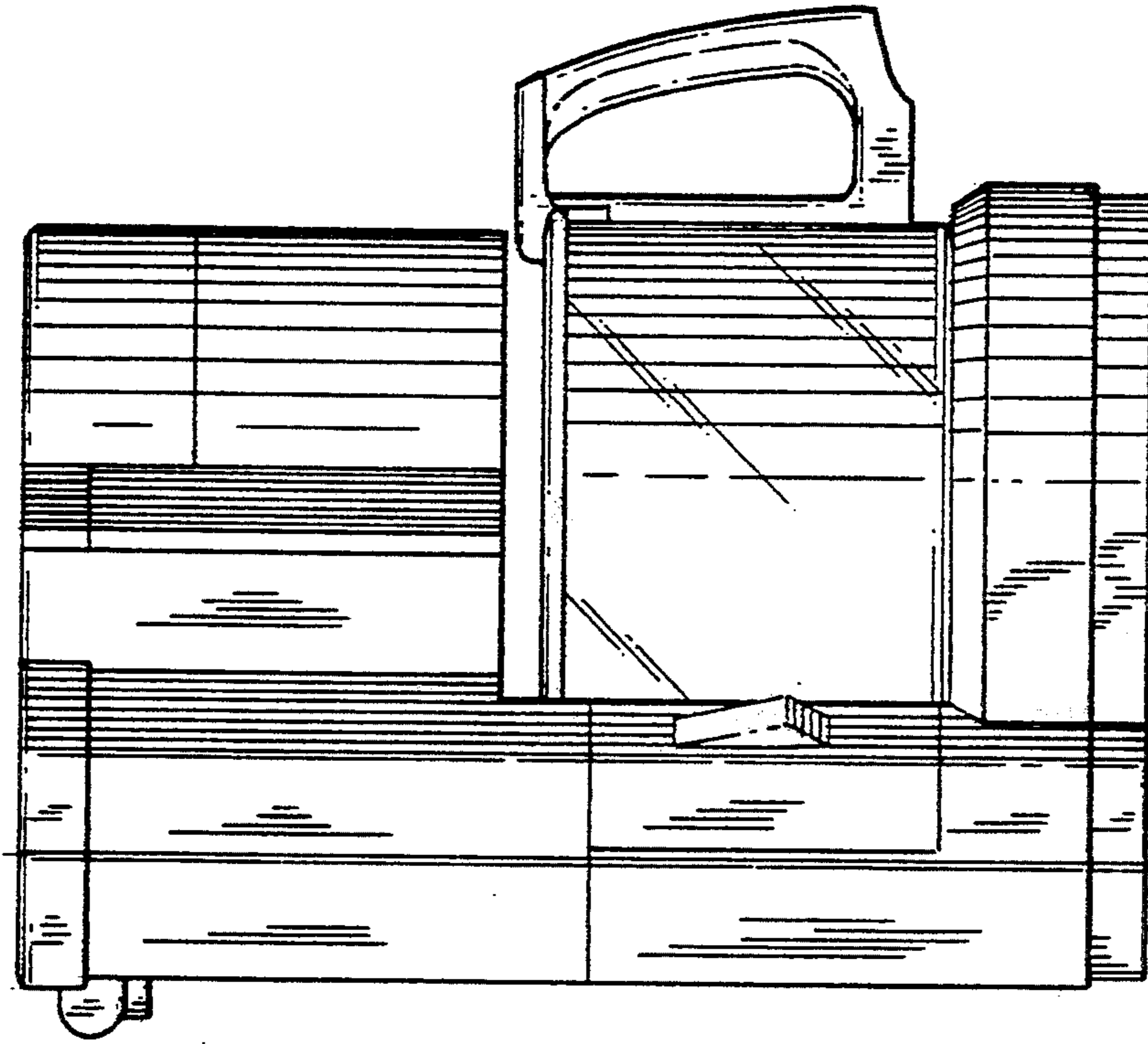


FIG. 2

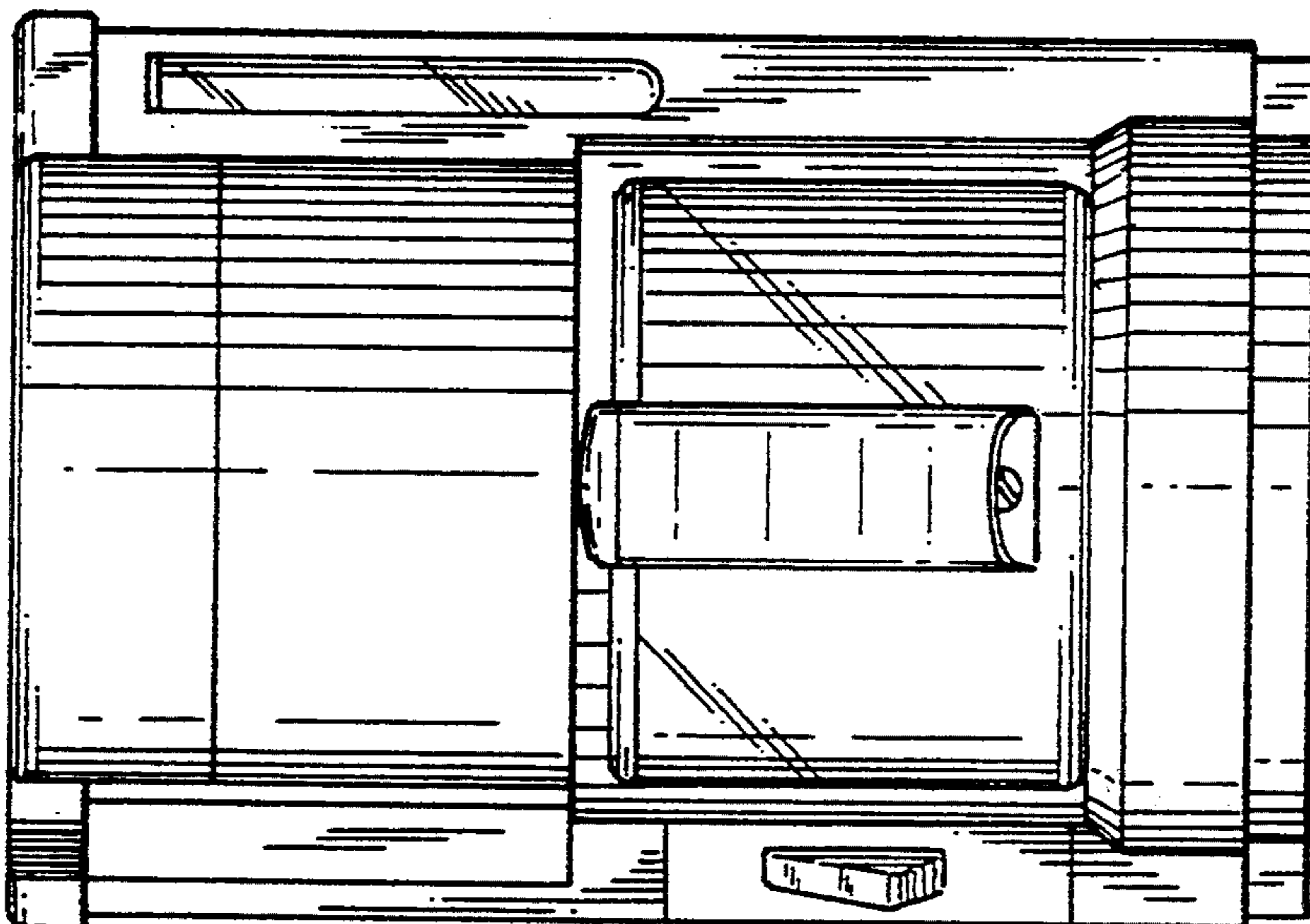


FIG. 1

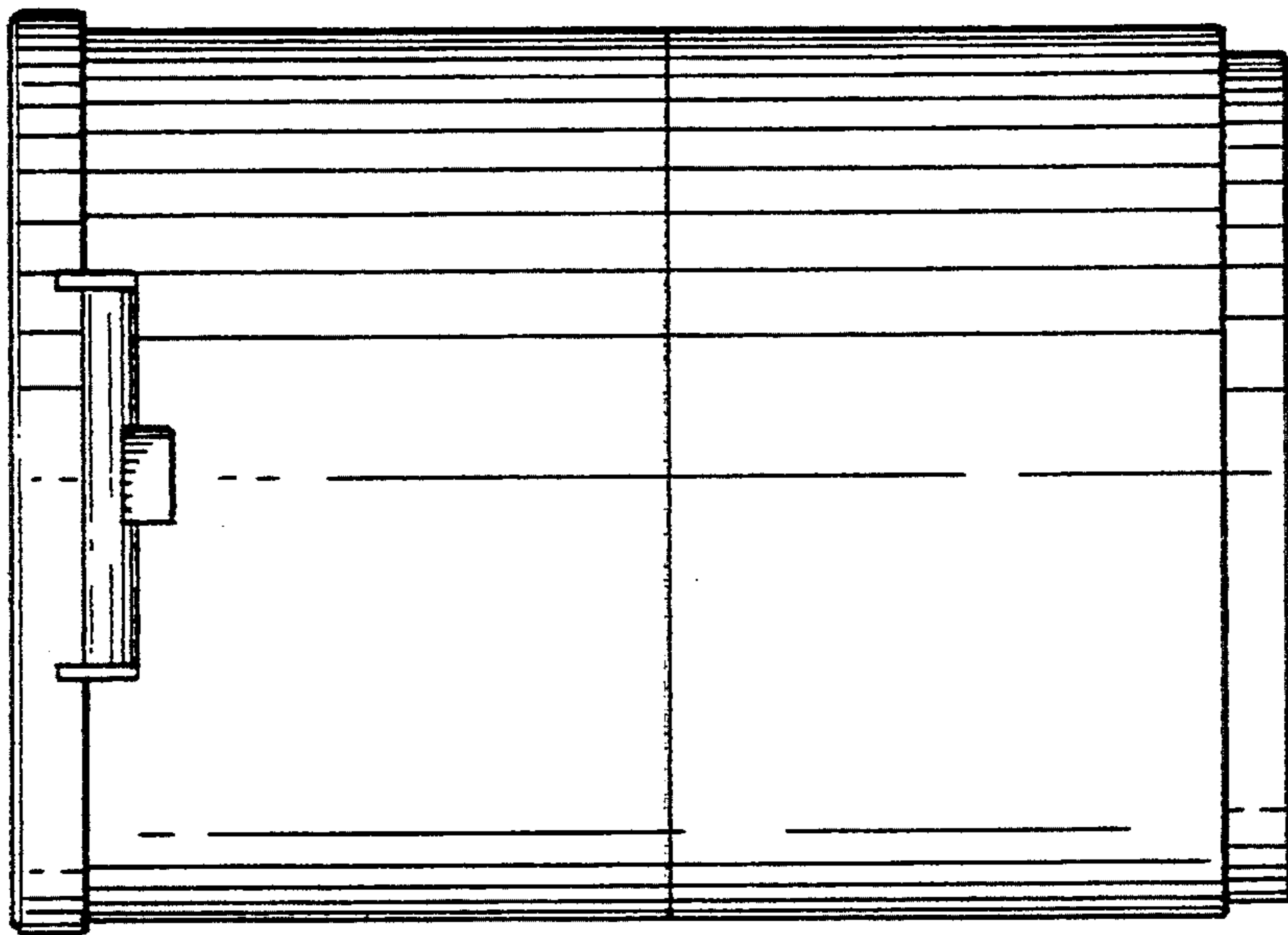


FIG. 4

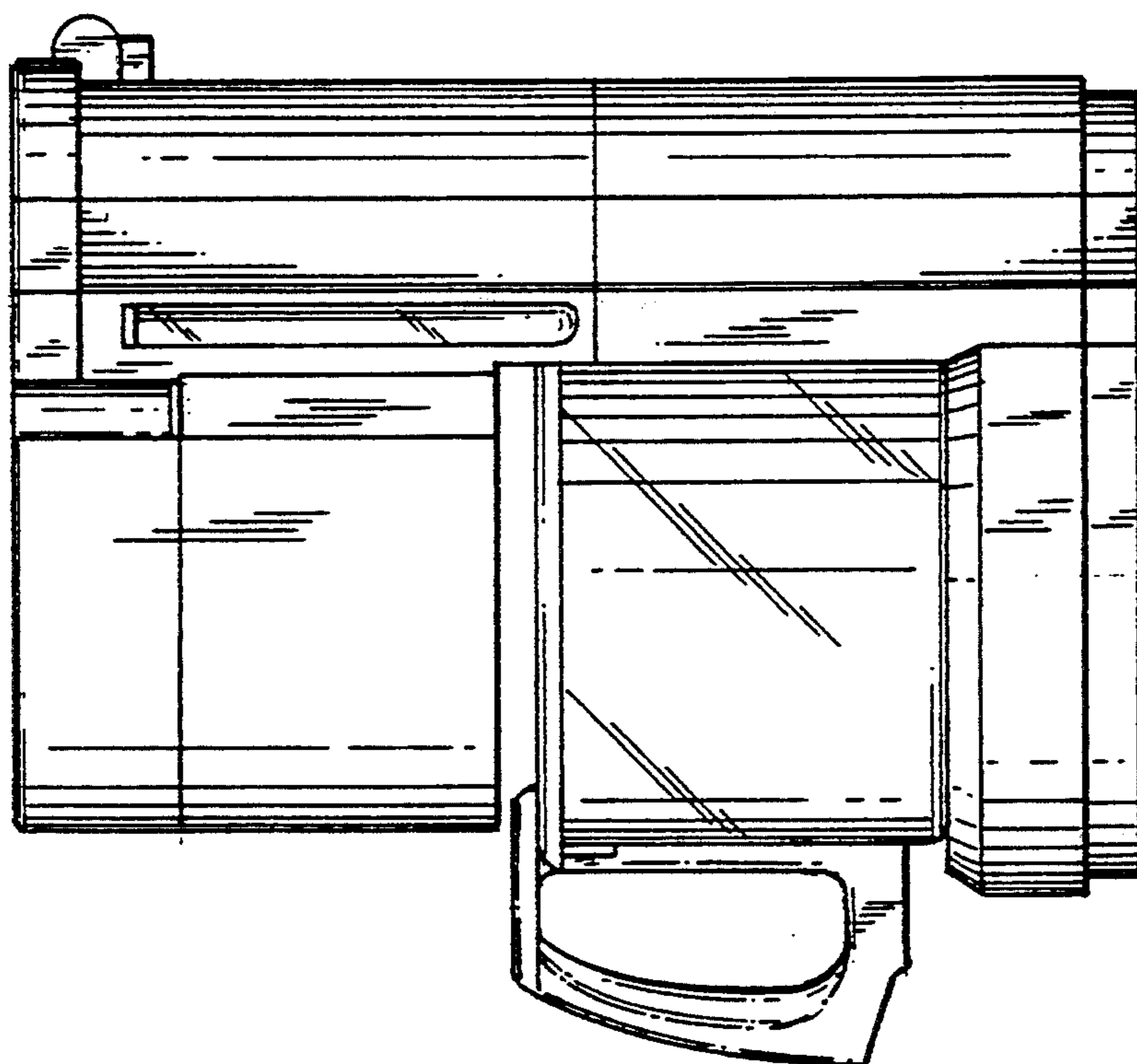


FIG. 3

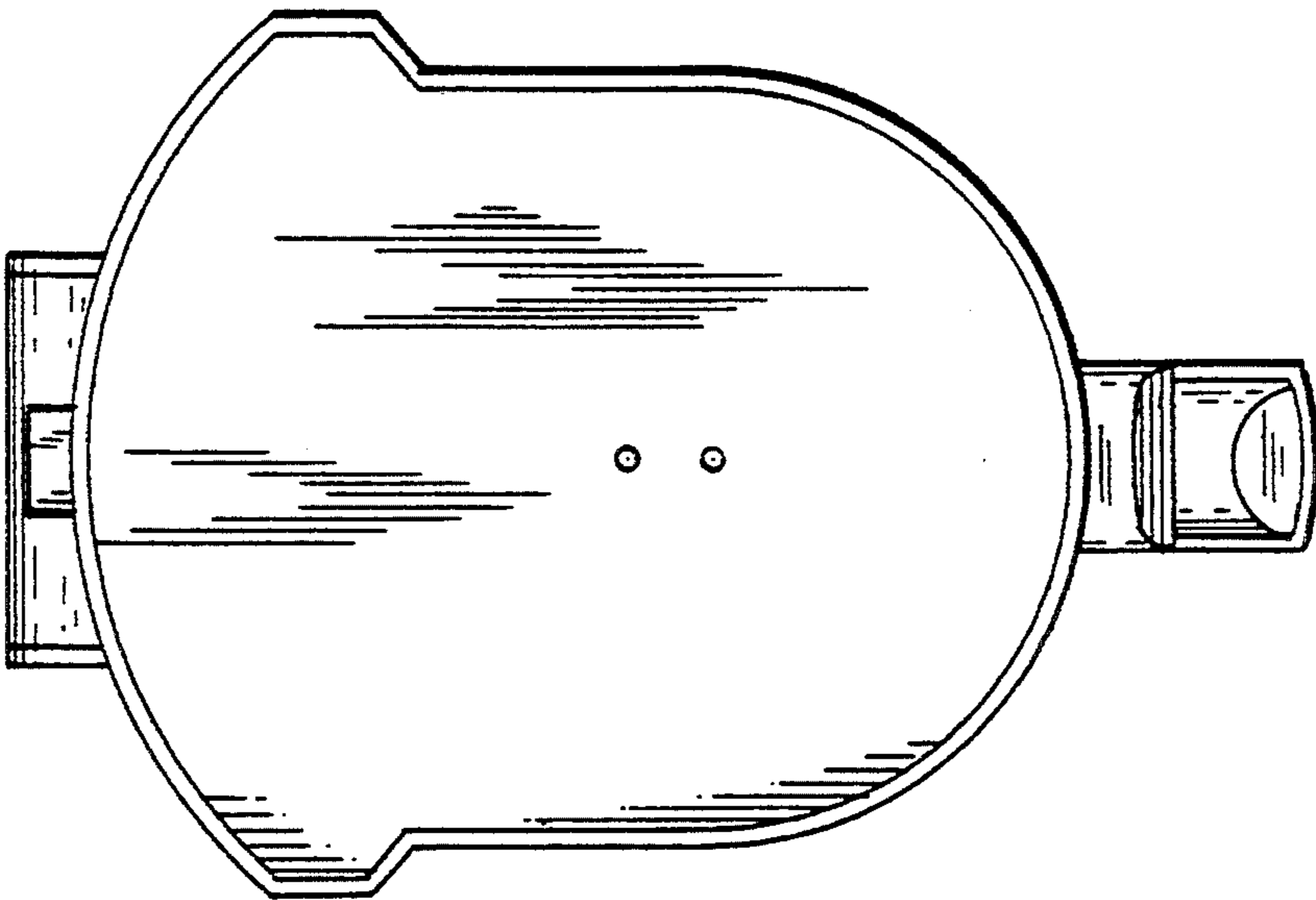


FIG. 6

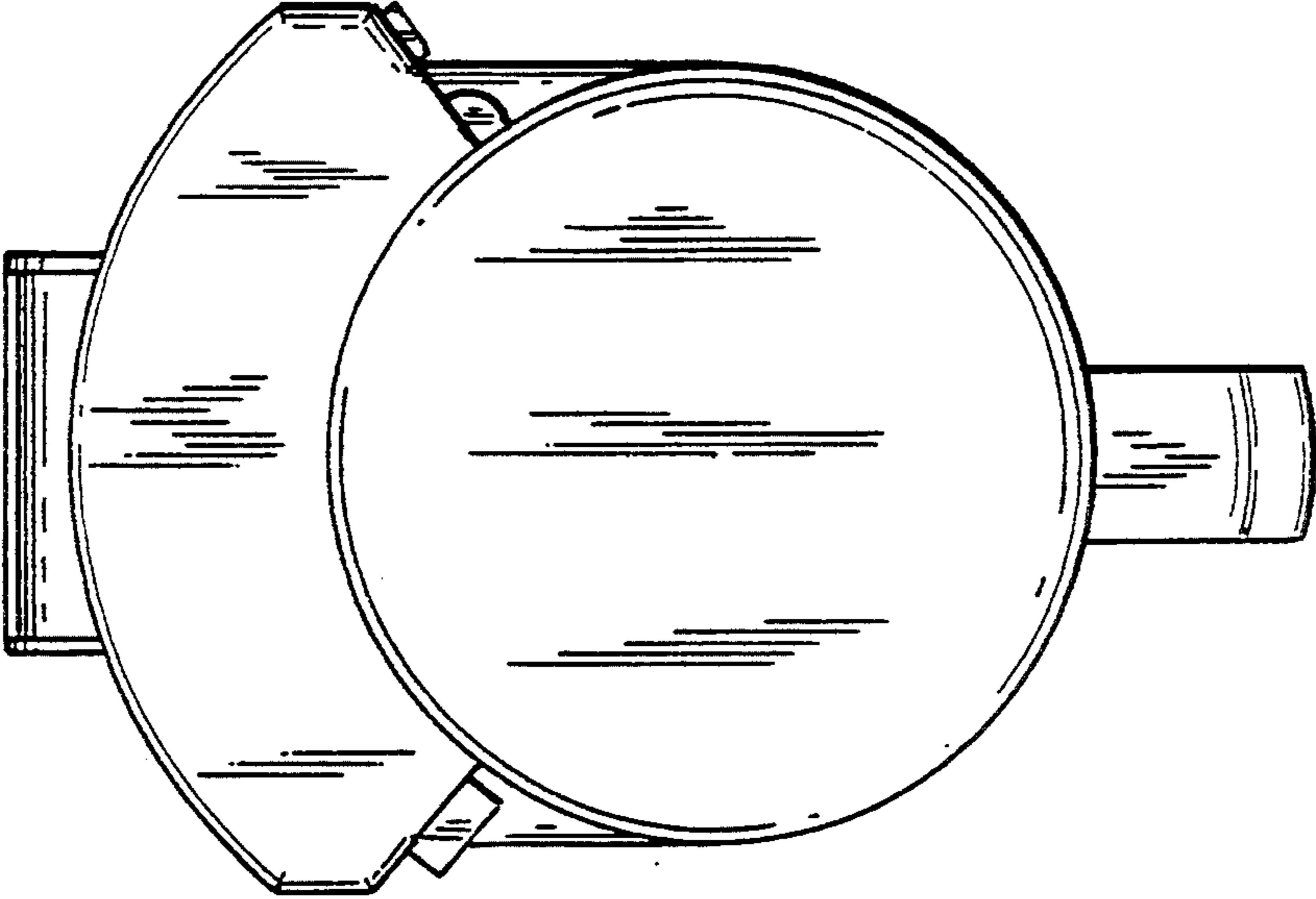


FIG. 5