



US00D359406S

United States Patent [19]

[11] Patent Number: **Des. 359,406**

Crawford et al.

[45] Date of Patent: **** Jun. 20, 1995**

[54] **TABLE WITH REMOVABLE TRAY AND/OR INSERT**

[75] Inventors: **Edward F. Crawford**, Waite Hill;
Felix J. Tarorick, Independence;
Terry M. Philips, Willoughby, all of Ohio

[73] Assignee: **Park Ohio Industries Inc.**, Cleveland, Ohio

[**] Term: **14 Years**

[21] Appl. No.: **8,198**

[22] Filed: **May 11, 1993**

[52] U.S. Cl. **D6/484; D6/349; D6/397**

[58] Field of Search **D6/480-489, D6/495-499, 429, 397, 349, 511; 108/153, 161, 25, 90, 159**

[56] **References Cited**

U.S. PATENT DOCUMENTS

- D. 215,858 11/1969 Hamilton D6/485
- D. 217,261 4/1970 Gianfagna D6/485
- D. 224,494 8/1972 Kerman D6/484
- D. 240,186 6/1976 Rosen D6/484
- D. 250,313 11/1978 Miller D6/484
- D. 346,704 5/1994 Grosfillex D6/349
- 1,738,429 12/1929 Heynan 108/90 X
- 3,688,707 9/1972 White .
- 3,742,869 7/1973 Polsky et al. .
- 4,467,730 8/1984 Borichevsky .
- 4,779,541 10/1988 Milward .
- 4,841,877 6/1989 Virtue .

OTHER PUBLICATIONS

- Interiors*-Oct. '86, p. 51 table top, top left.
- Official Gazette Abstract for U.S. Pat. No. 4,974,526 (Dec. 4, 1990).
- Official Gazette Abstract For U.S. Pat. No. 4,107,897 (Aug. 27, 1978).
- Best Catalog, Spring 1993, p. 38.
- Exhibit A, Stacking Table, Manufacturer Unknown-undated.

- Exhibit B, Stacking Table, Syroco undated.
- Exhibit C, Stacking Table, Syroco-undated.
- Exhibit D, Left, Stacking Table Backyard Products, Inc. Erie, Pa.-undated.
- Exhibit D, Right, Stacking Table, Grosfillex, Copyright 1990.
- Exhibit E, Table and Tray Combination, Rubbermaid, Wooster, Ohio, "Jan. 1993" Mold Marking.

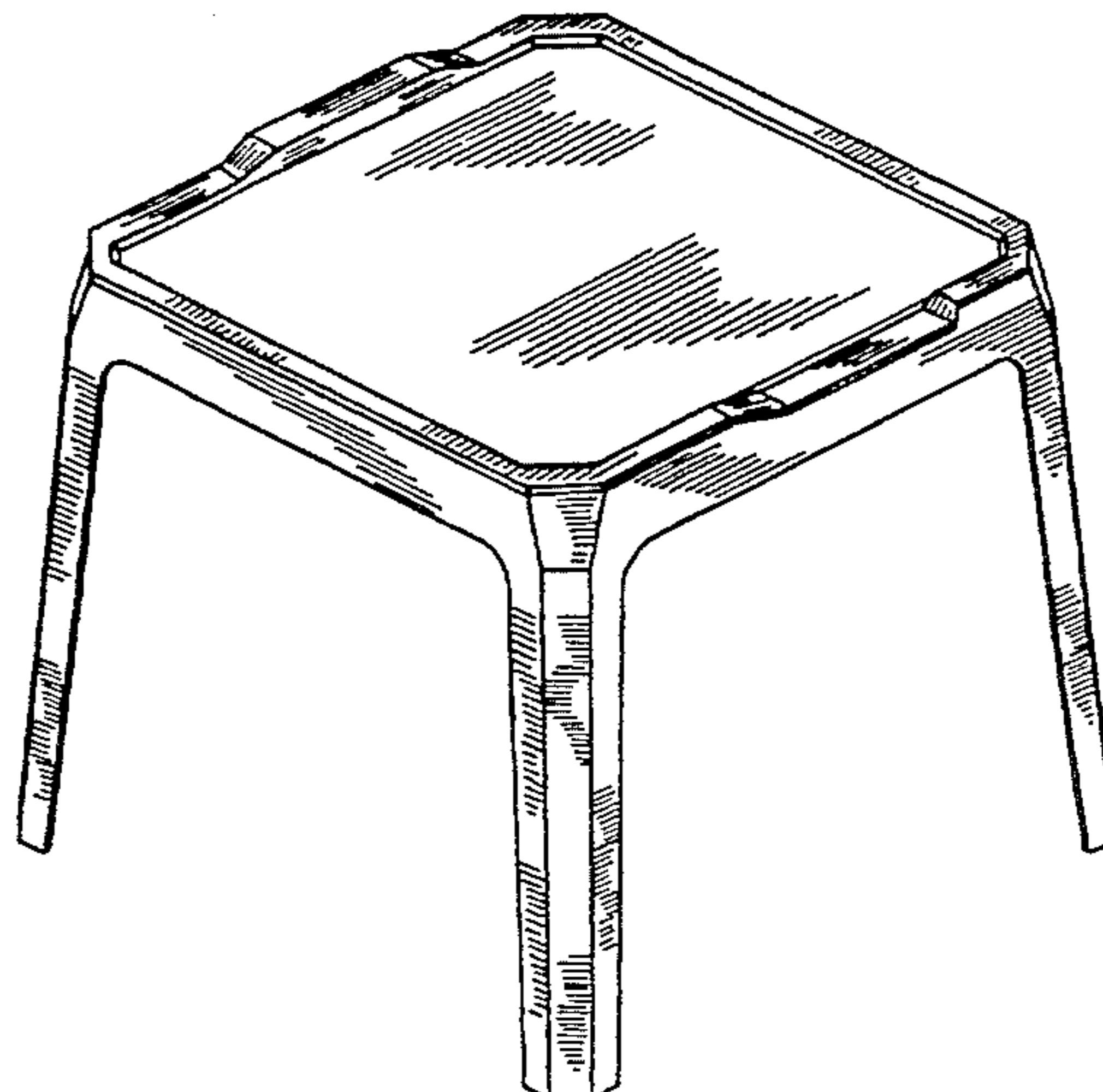
Primary Examiner—Janice E. Seeger
Attorney, Agent, or Firm—Renner, Otto, Boisselle & Sklar

[57] **CLAIM**

The ornamental design for a table with removable tray and/or insert, as shown and described.

DESCRIPTION

FIG. 1 is a perspective view of a table with a removable tray according to an embodiment of our design; FIG. 2 is a top plan view of the table and removable tray of FIG. 1; FIG. 3 is a front elevational view of the table and removable tray of FIG. 1, the rear elevational view being identical; FIG. 4 is a side elevational view of the table and removable tray of FIG. 1, the other side elevational view being identical; FIG. 5 is a top plan view of the table of FIG. 1 with another form of removable tray according to another embodiment of our design; FIG. 6 is a fragmentary cross-section of the tray and table assembly shown in FIG. 5 along the line 6—6; FIG. 7 is a front elevational view of the table and removable tray of FIG. 5, the rear and both side elevational views being identical; FIG. 8-10 are top plan views of the table of FIG. 1 with different inserts in the top thereof having different patterns according to still further embodiments of our design; and, FIG. 11 is a fragmentary cross-section of the insert and table assembly shown in FIG. 8 along the line 11—11, the cross sections of FIGS. 9 and 10 are identical. The bottom views of the tables illustrated in FIGS. 1-11 are not ornamental and are therefore not shown.



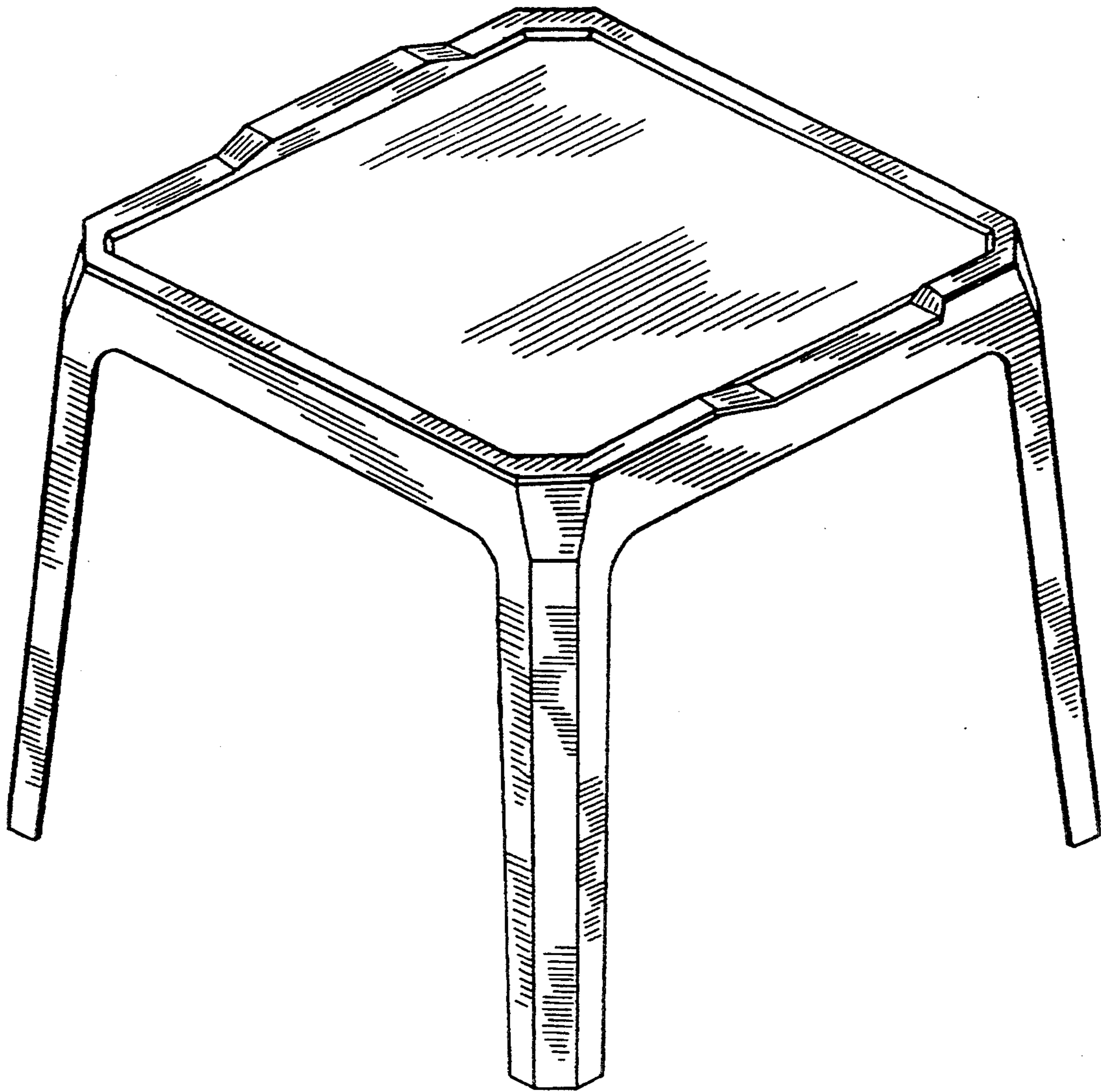


FIG. 1

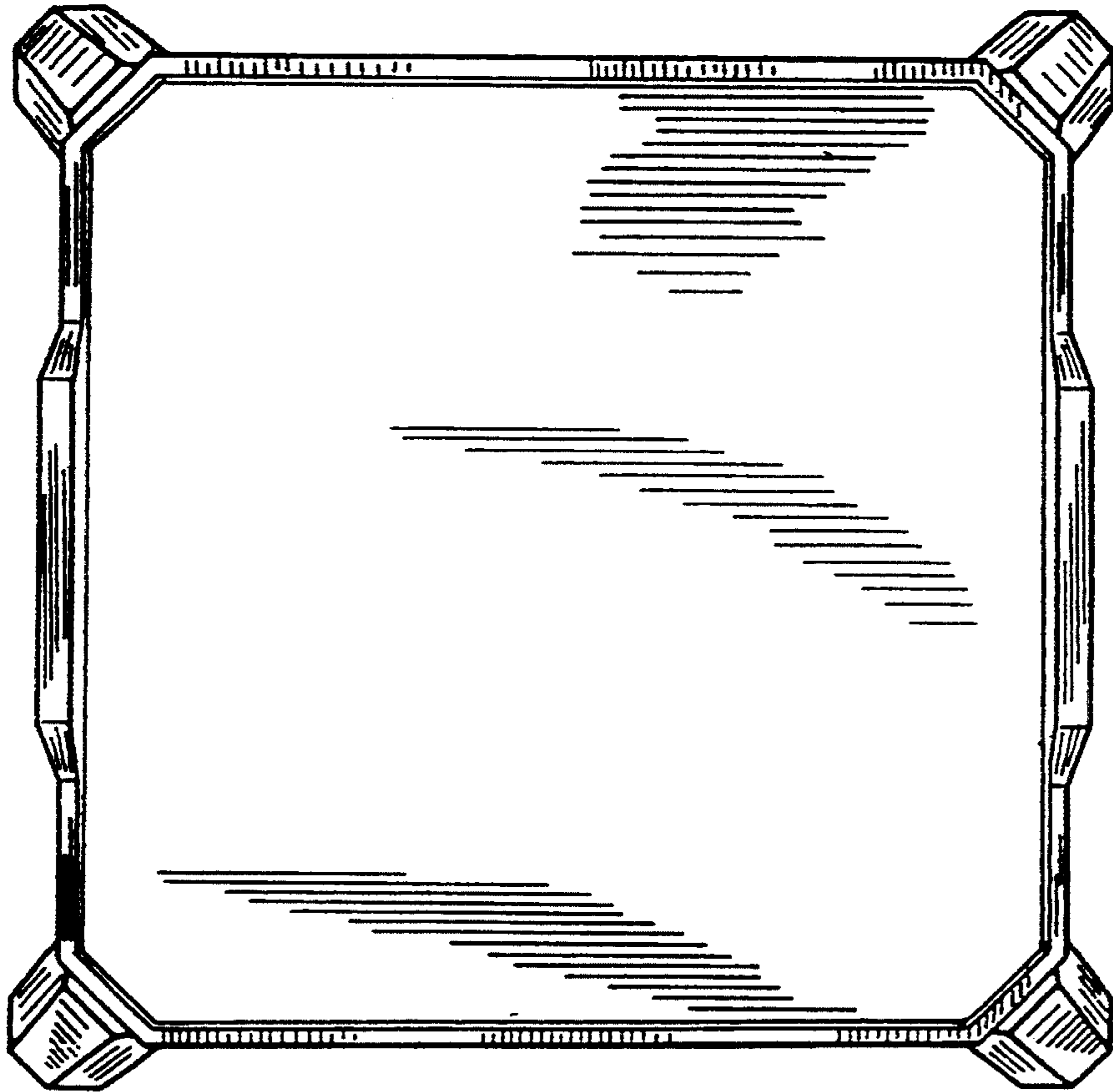


FIG. 2

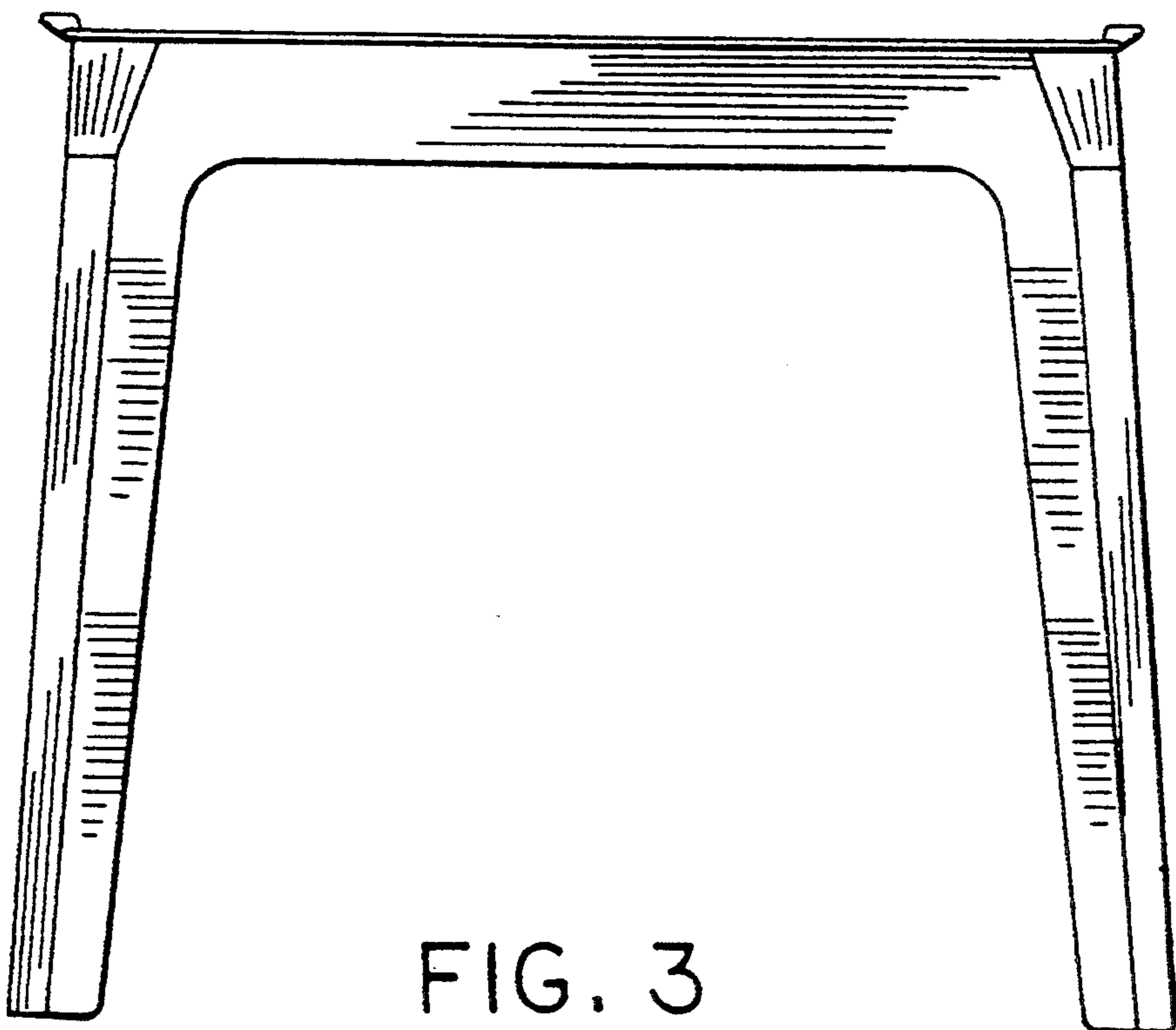
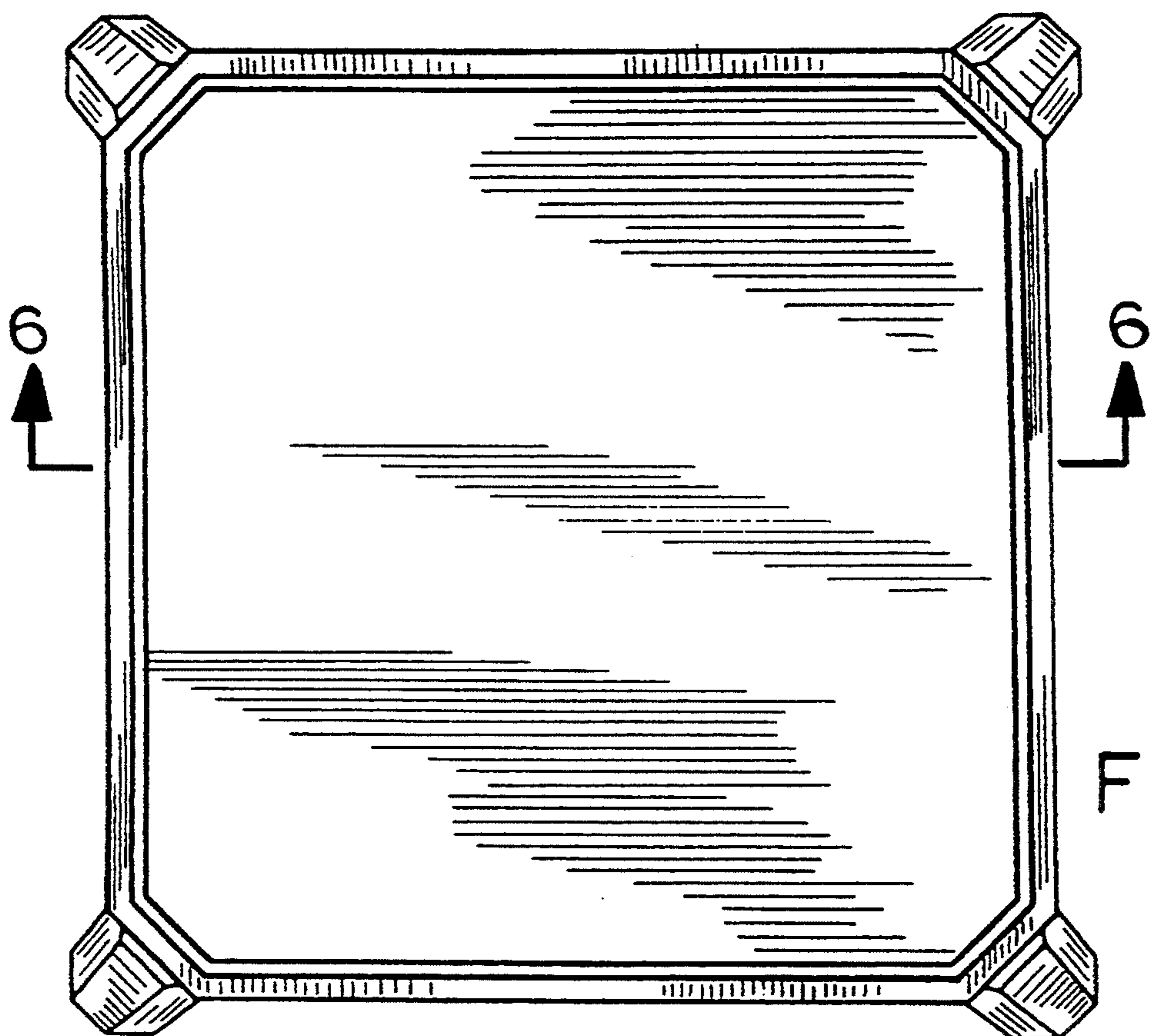
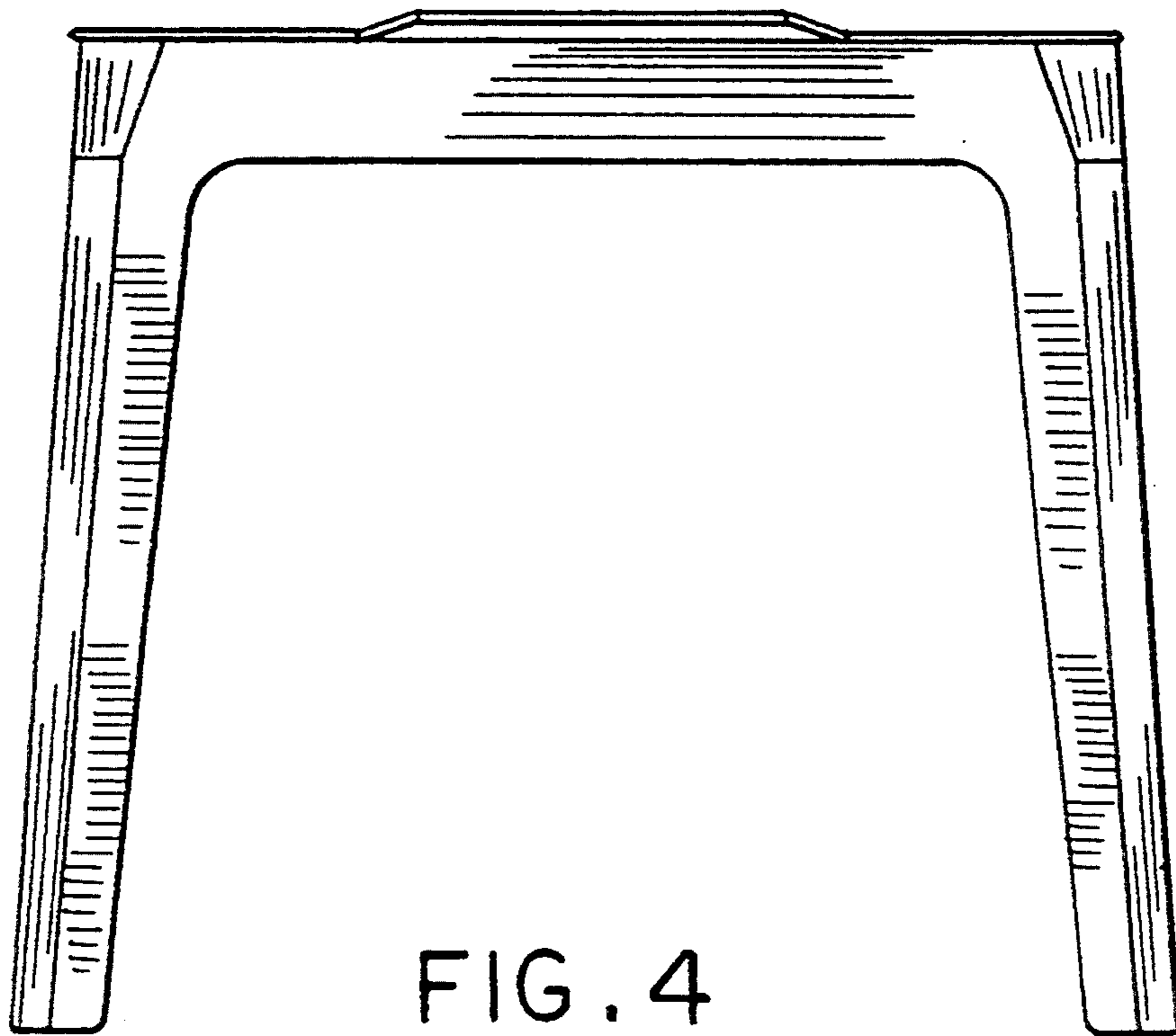


FIG. 3



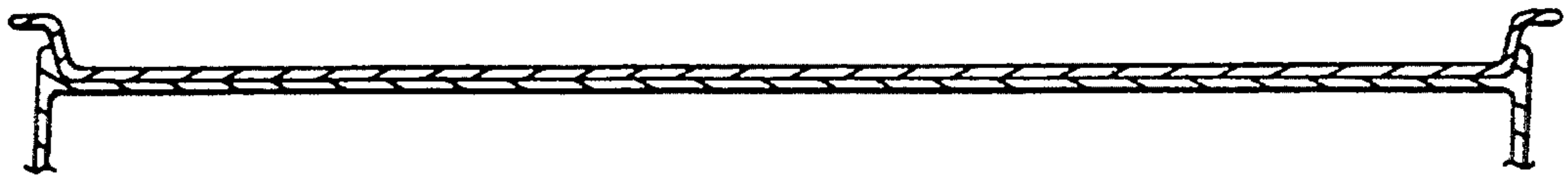


FIG. 6

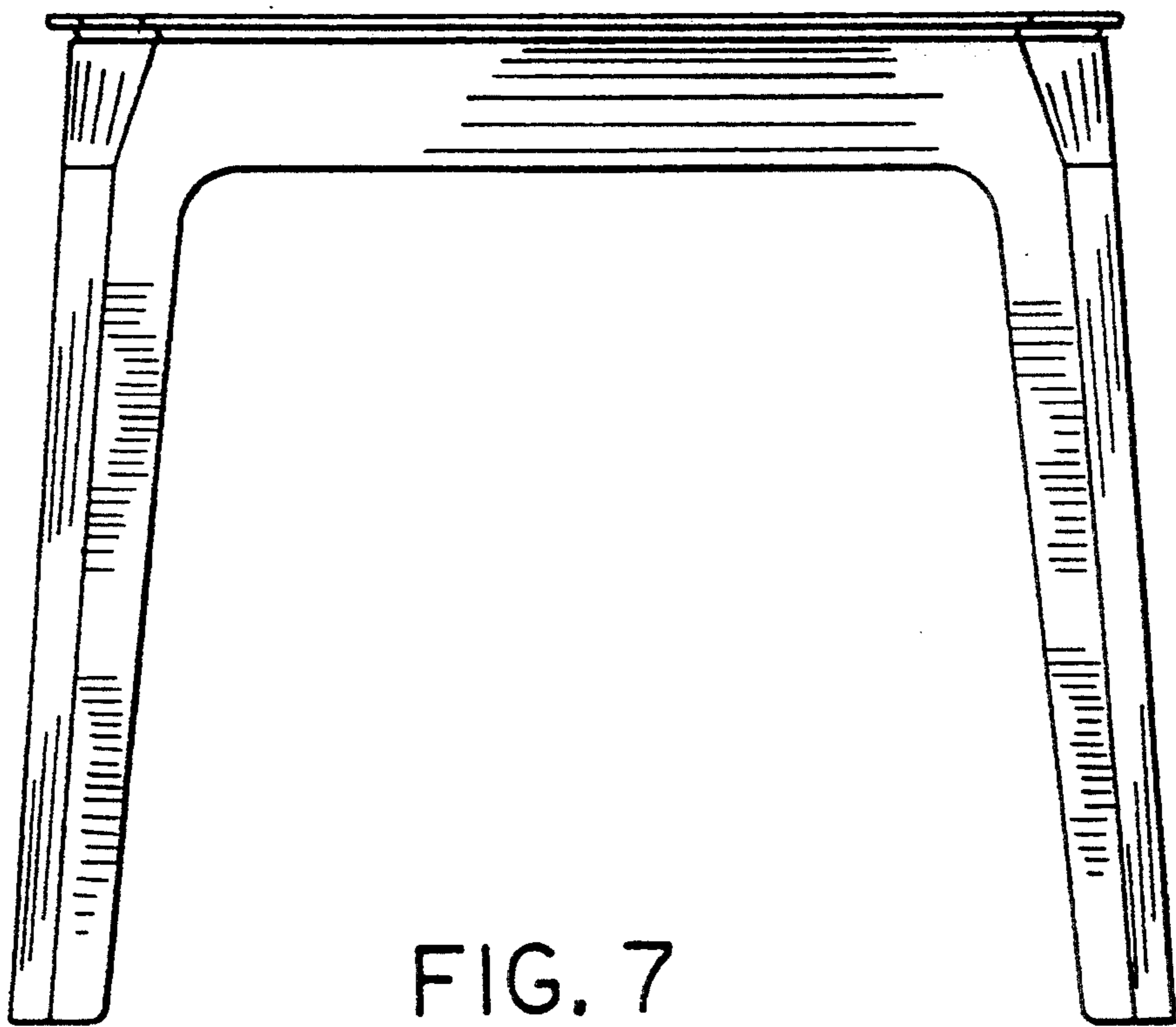


FIG. 7

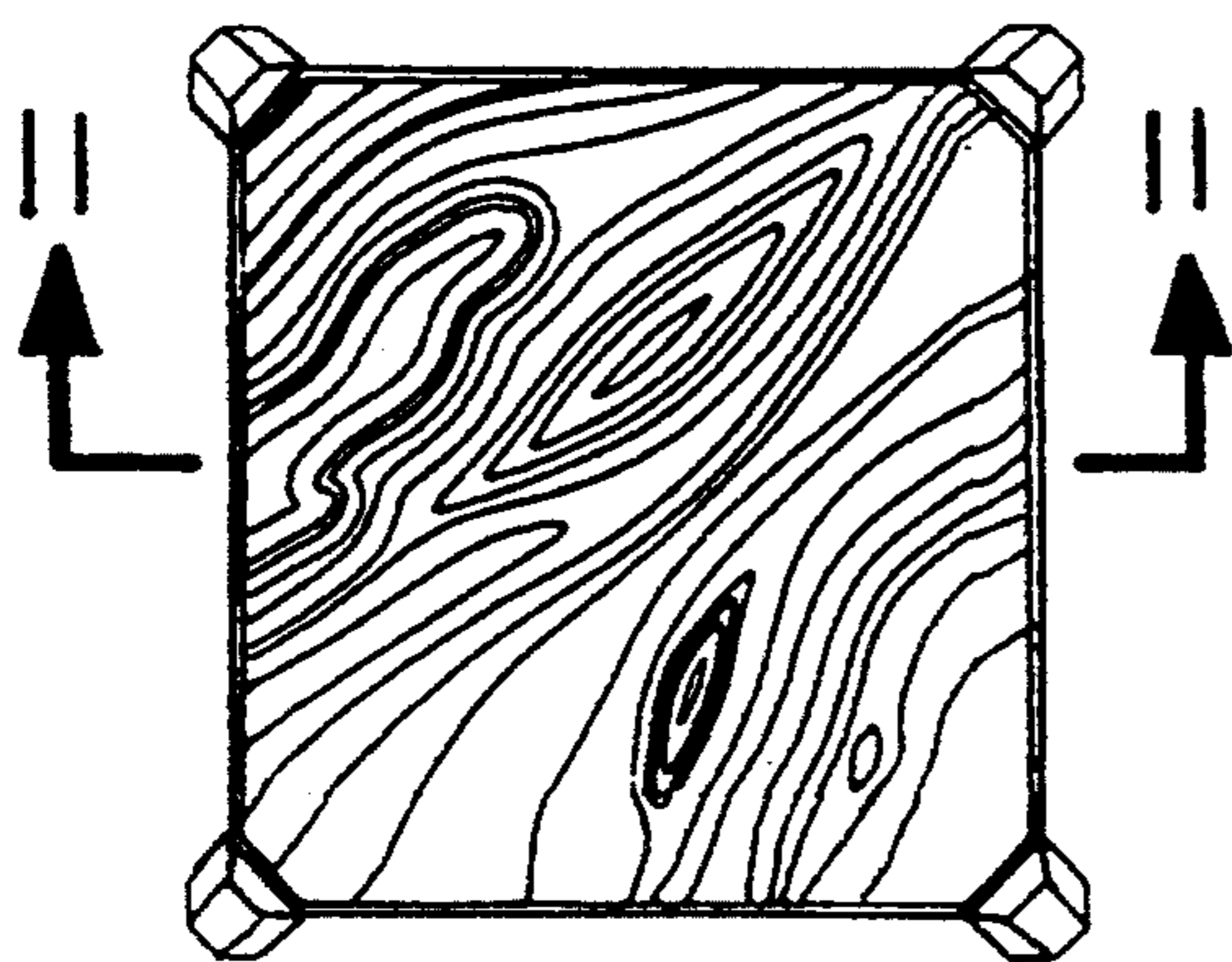


FIG. 8

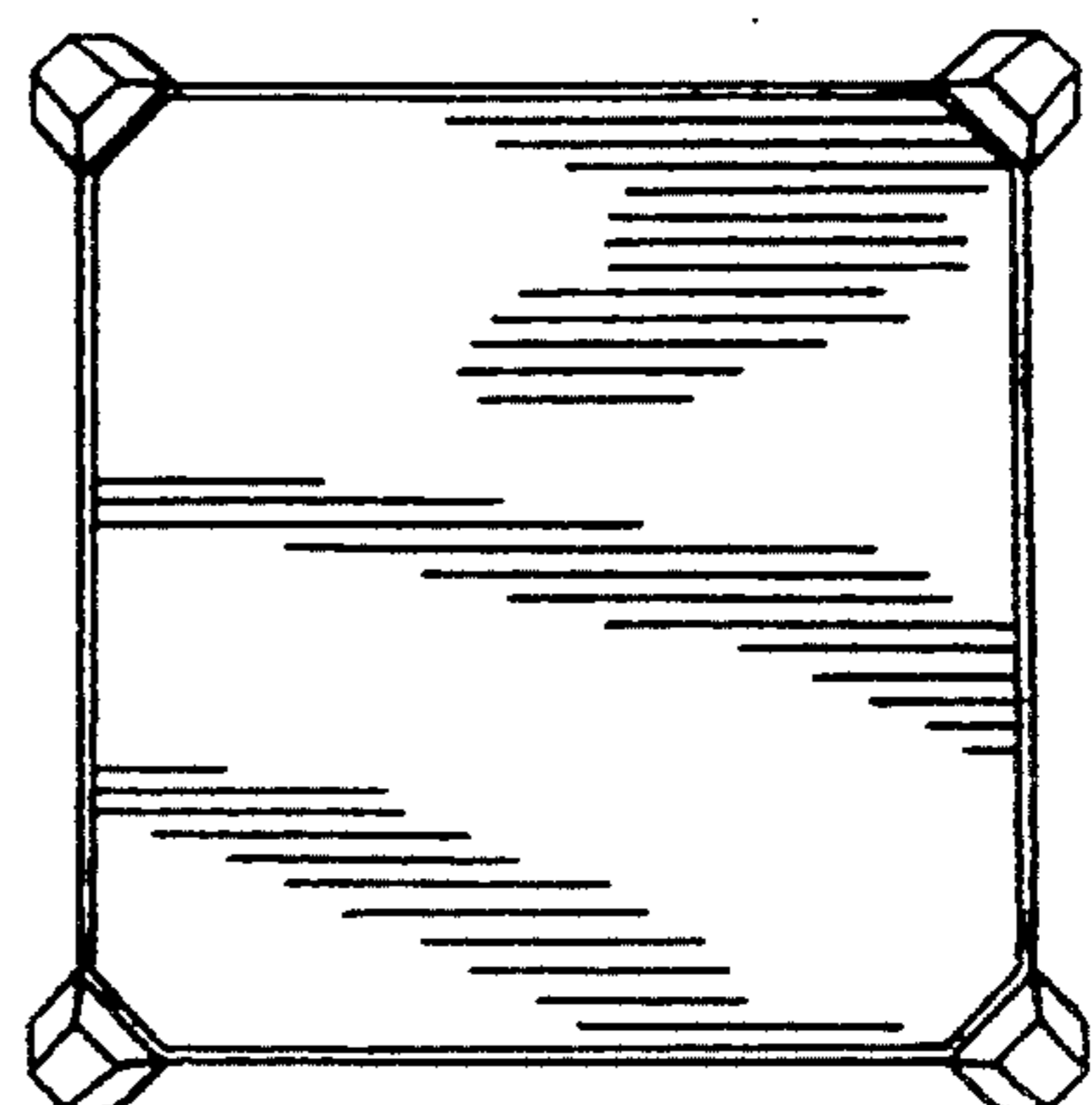


FIG. 9

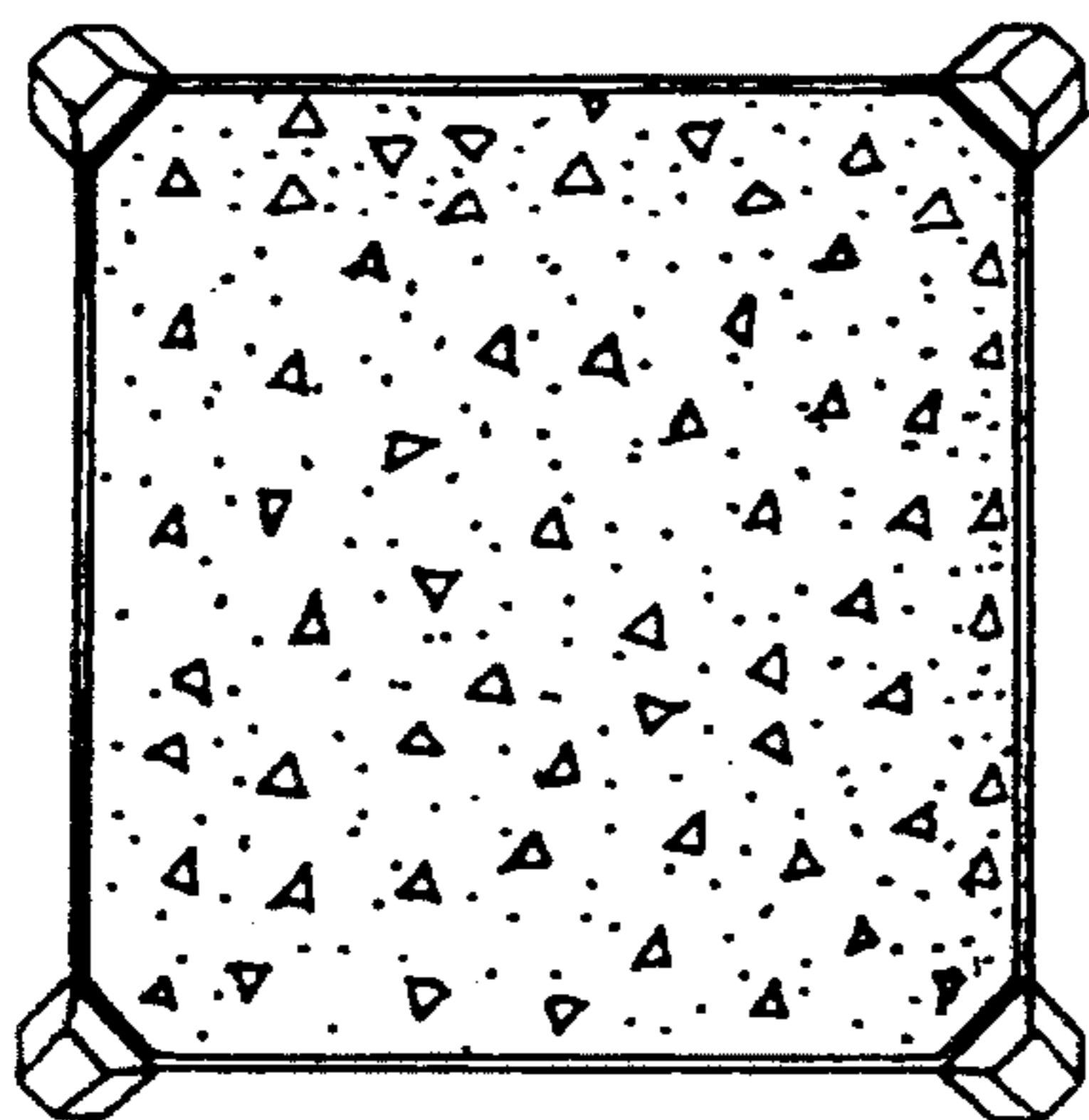


FIG. 10

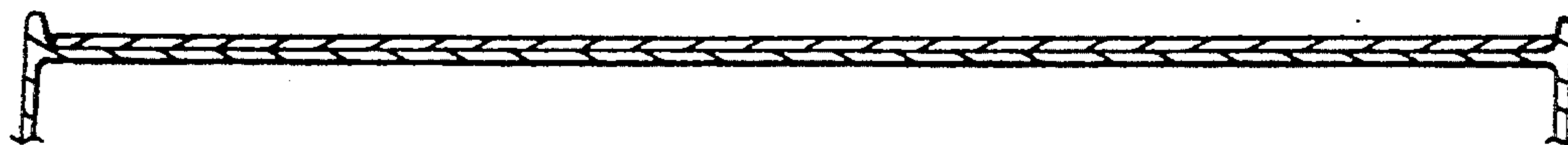


FIG. 11