



US00D359405S

# United States Patent [19] Ball

[11] Patent Number: **Des. 359,405**  
[45] Date of Patent: **\*\* Jun. 20, 1995**

[54] **MOBILE TABLE**

[75] Inventor: **Douglas C. Ball, Senneville, Canada**

[73] Assignee: **Steelcase Inc., Grand Rapids, Mich.**

[\*] Notice: The portion of the term of this patent subsequent to Aug. 23, 2008 has been disclaimed.

[\*\*] Term: **14 Years**

[21] Appl. No.: **14,612**

[22] Filed: **Oct. 26, 1993**

[52] U.S. Cl. .... **D6/482**

[58] Field of Search ..... **D6/480-489, D6/495, 498, 499, 511, 451, 422, 427, 429; 108/144, 153, 156, 161; 312/194, 196; 248/188, 188.1, 188.7, 188.8**

[56] **References Cited**

**U.S. PATENT DOCUMENTS**

D. 140,501	3/1945	Fletcher	.....	D6/422
D. 148,776	2/1948	Fay	.....	D33/7
D. 251,946	5/1979	Schneider	.....	D6/177
D. 252,432	7/1979	Brelsford	.....	D6/177
D. 260,712	9/1981	Potucek	.....	D6/483
D. 268,715	4/1983	Curry	.....	D6/29
D. 282,096	1/1986	Levand	.....	D21/232
D. 282,775	2/1986	Floyd, Sr.	.....	D24/3
D. 288,756	3/1987	McCarty	.....	D6/482
D. 289,117	4/1987	Schmid	.....	D6/487 X
D. 291,851	9/1987	Salvato	.....	D6/482
D. 322,729	12/1991	Different	.....	D6/487
D. 331,164	11/1992	Deimen et al.	.....	D6/484
D. 332,192	1/1993	Lewis	.....	D6/487 X
D. 332,535	1/1993	Hosoe	.....	D6/482

D. 332,536	1/1993	Hosoe	.....	D6/482
D. 332,537	1/1993	Hosoe	.....	D6/482
D. 332,538	1/1993	Hosoe	.....	D5/482
D. 333,053	2/1993	Hosoe	.....	D6/482
D. 342,396	12/1993	Lechman et al.	.....	D6/422
D. 349,824	8/1994	Ball	.....	D6/482
4,408,543	10/1983	Griffin	.....	108/24
4,559,877	12/1985	Waibel	.....	108/64
4,665,836	5/1987	Burr	.....	108/64
4,922,835	5/1990	Van Vliet et al.	.....	108/114
5,016,405	5/1991	Lee	.....	52/36
5,065,832	11/1991	Mark	.....	108/60

**OTHER PUBLICATIONS**

"Technics Topics" by Progressive Architecture (1 pg.) dated Nov. 1989.

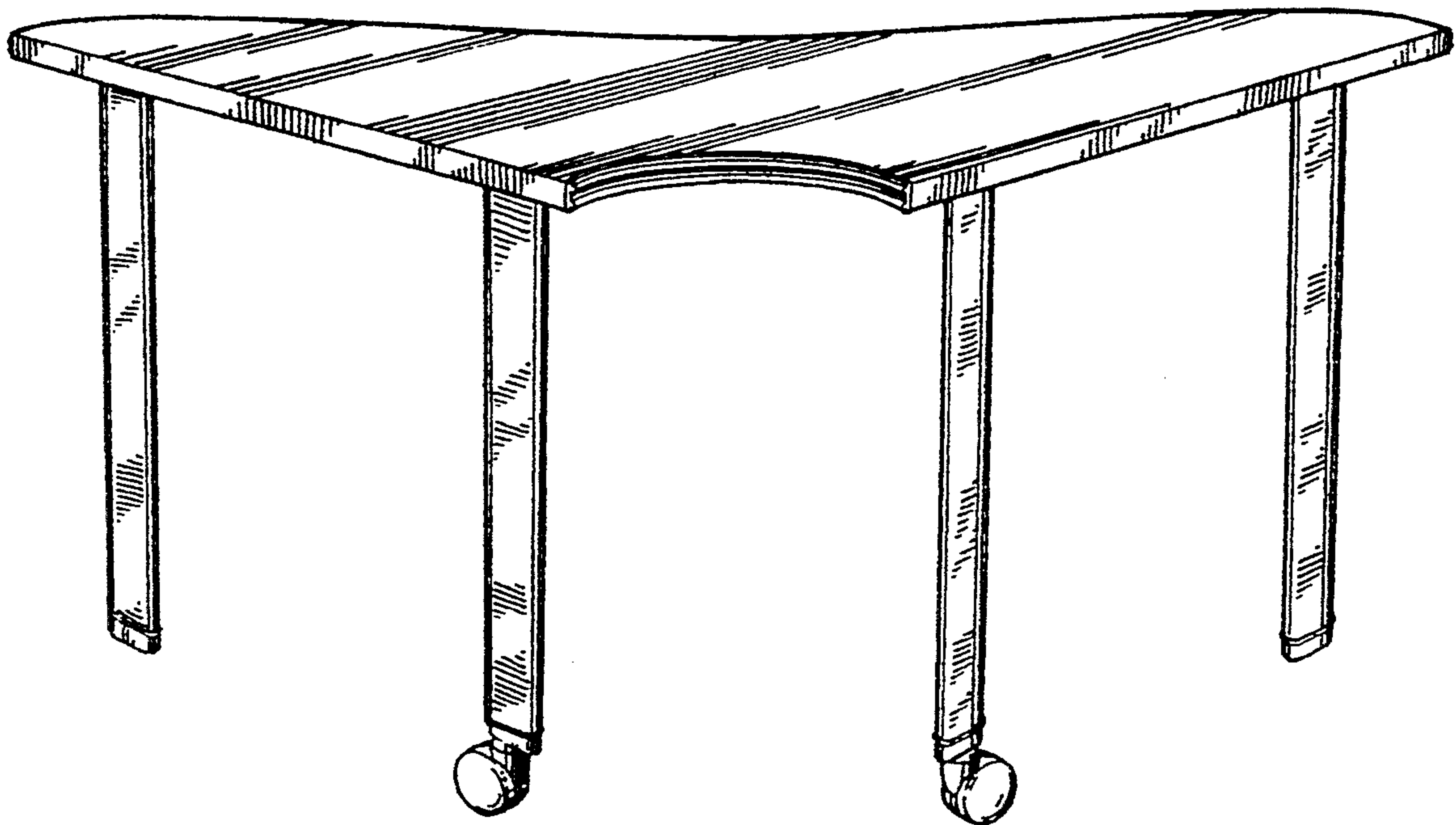
*Primary Examiner*—Janice E. Seeger  
*Attorney, Agent, or Firm*—Price, Heneveld, Cooper, DeWitt & Litton

[57] **CLAIM**

The ornamental design for a mobile table, as shown and described.

**DESCRIPTION**

FIG. 1 is a rear perspective view of a mobile table, showing my new design;  
FIG. 2 is a front perspective view;  
FIG. 3 is a side elevational view taken from an exterior side thereof;  
FIG. 4 is a top plan view;  
FIG. 5 is a side elevational view taken from an interior side thereof; and,  
FIG. 6 is an enlarged, fragmentary perspective view of an edge portion thereof.



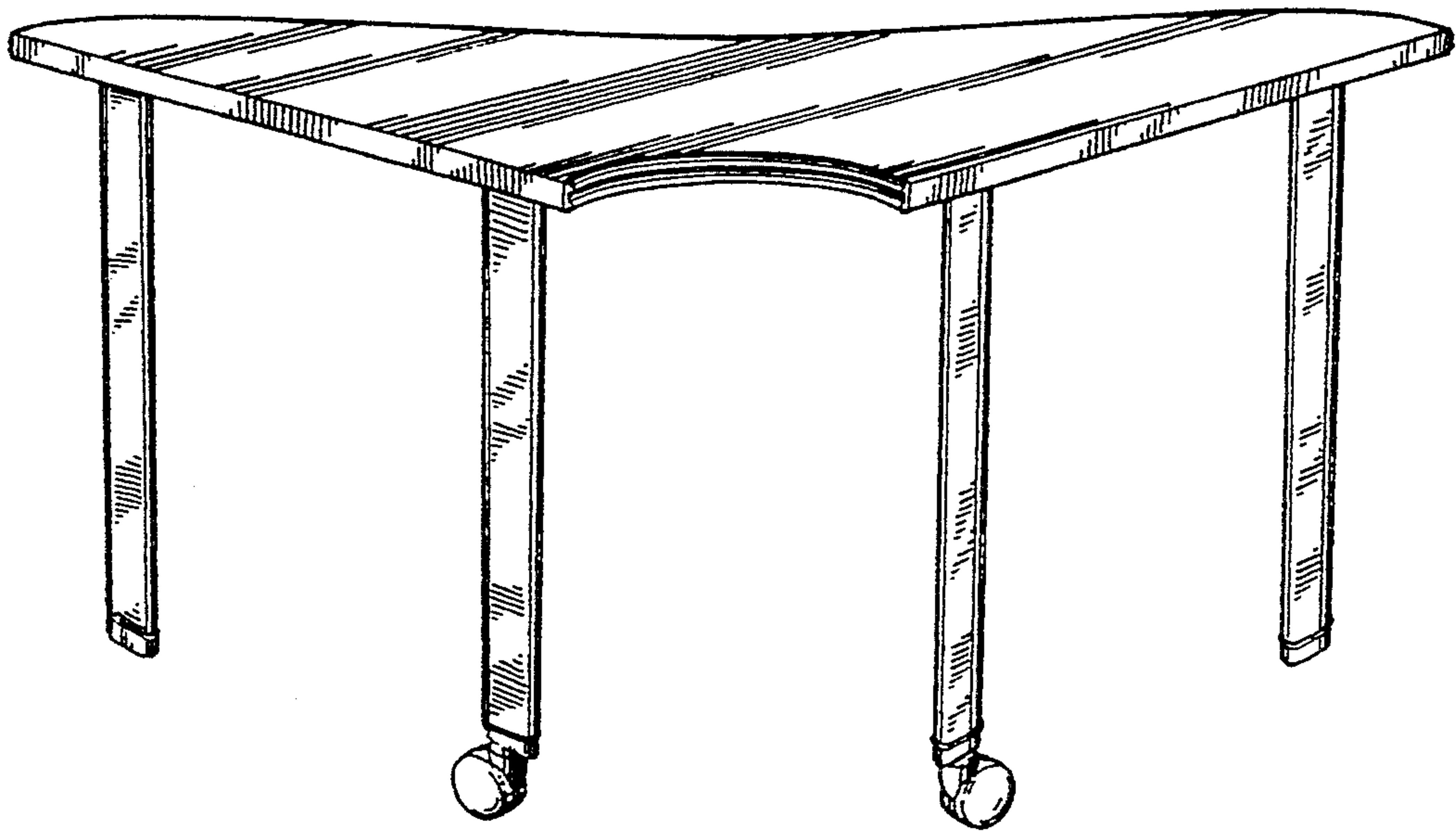


FIG. 1

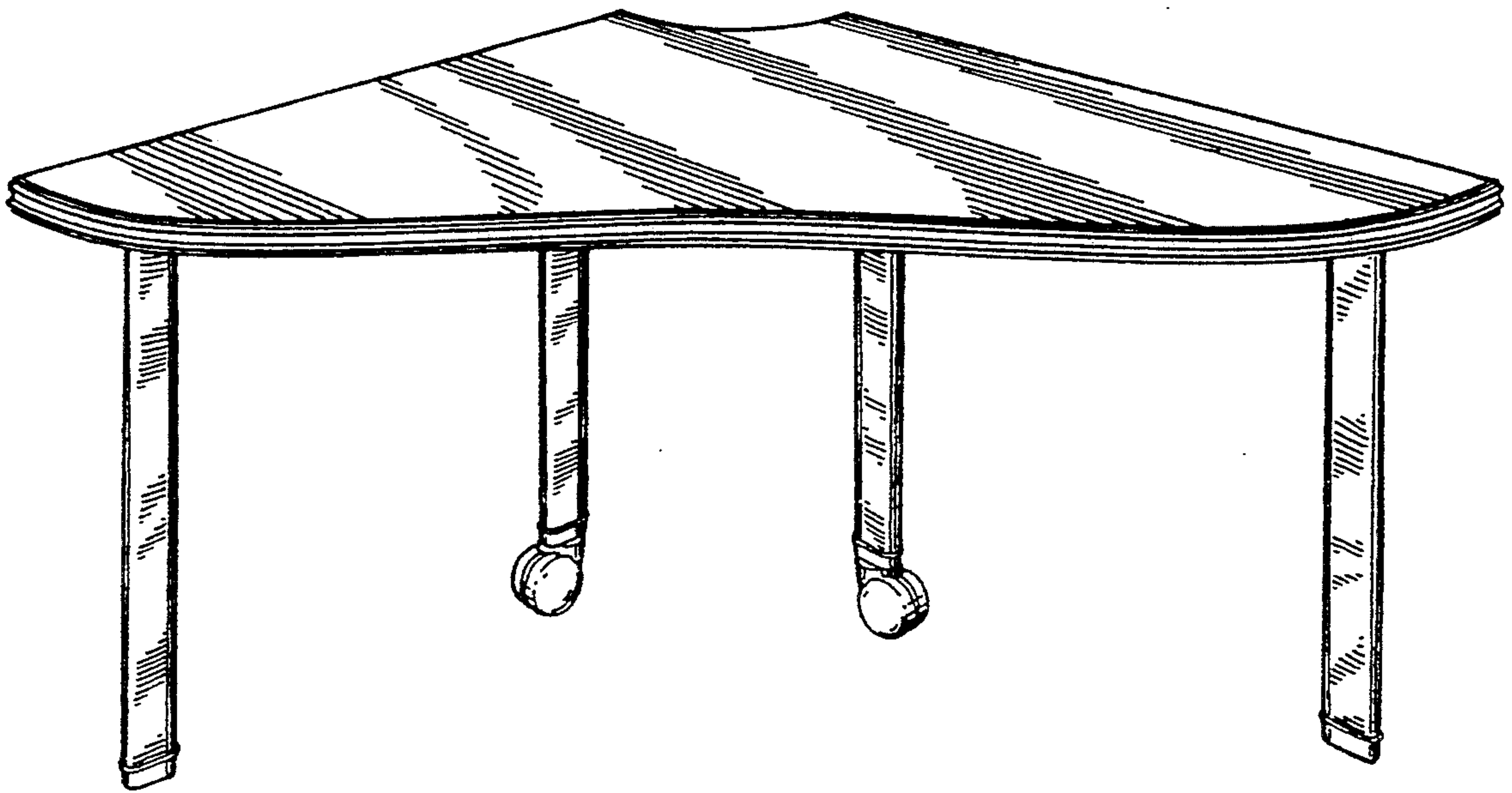


FIG. 2

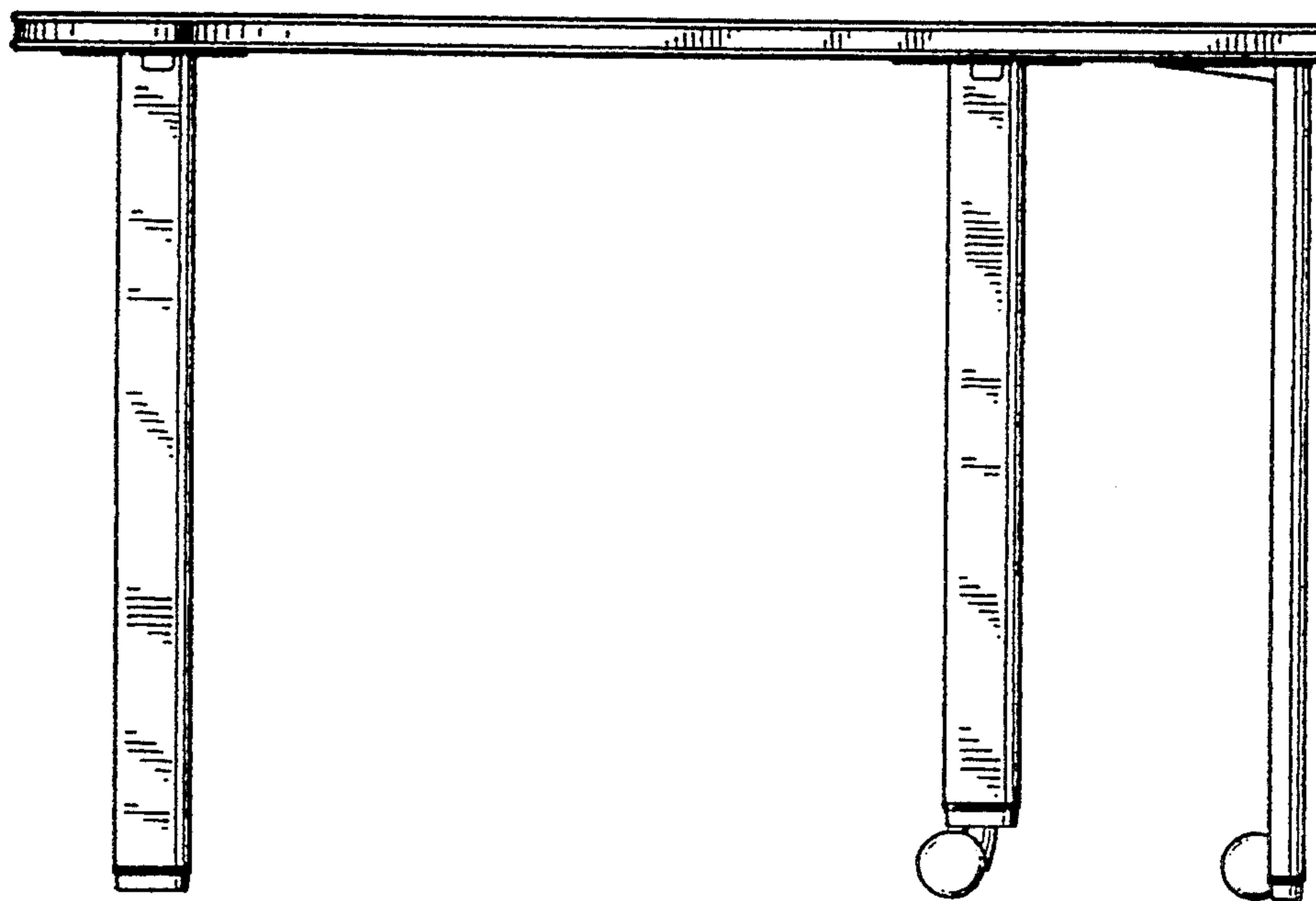


FIG. 3

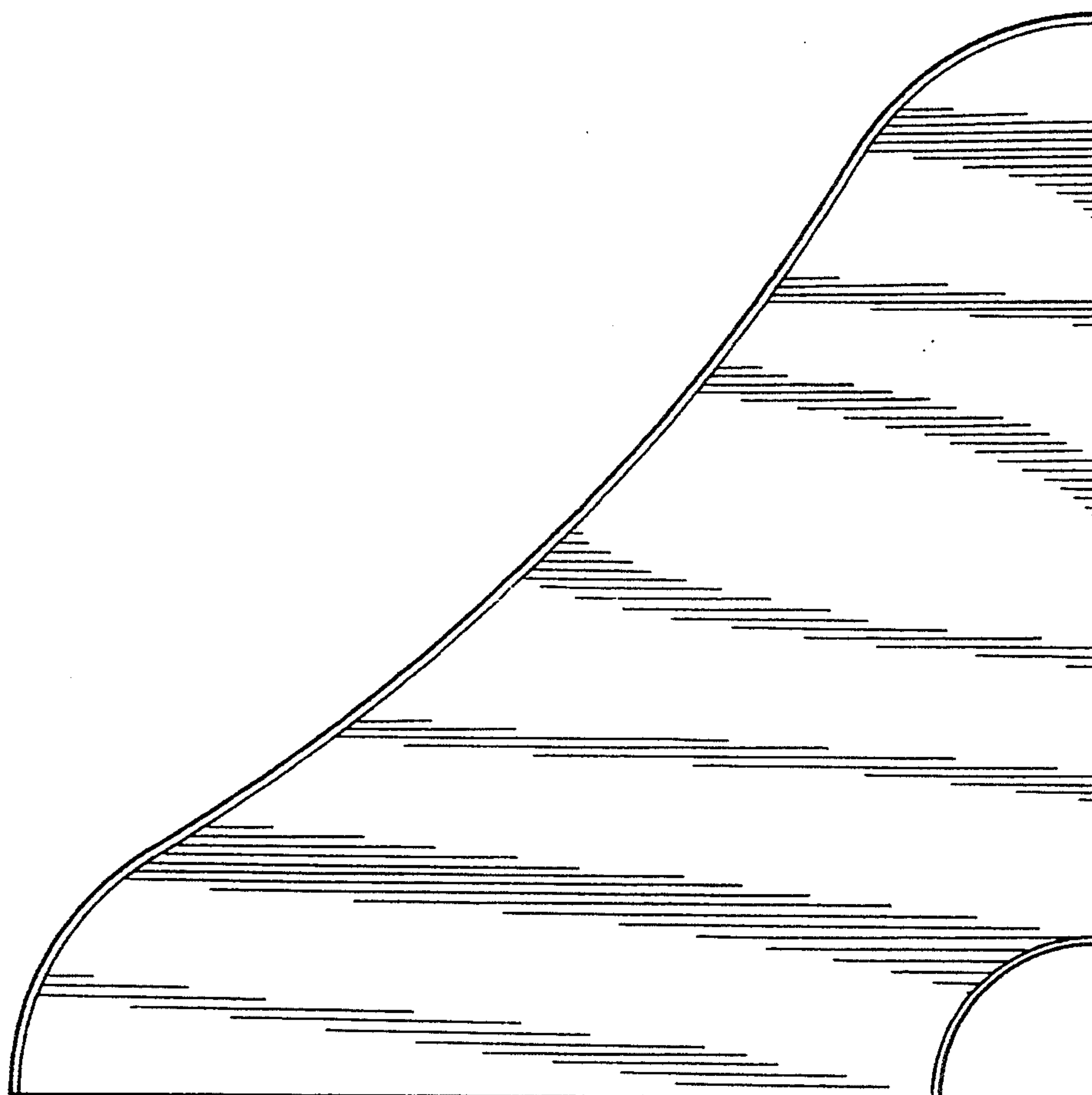


FIG. 4



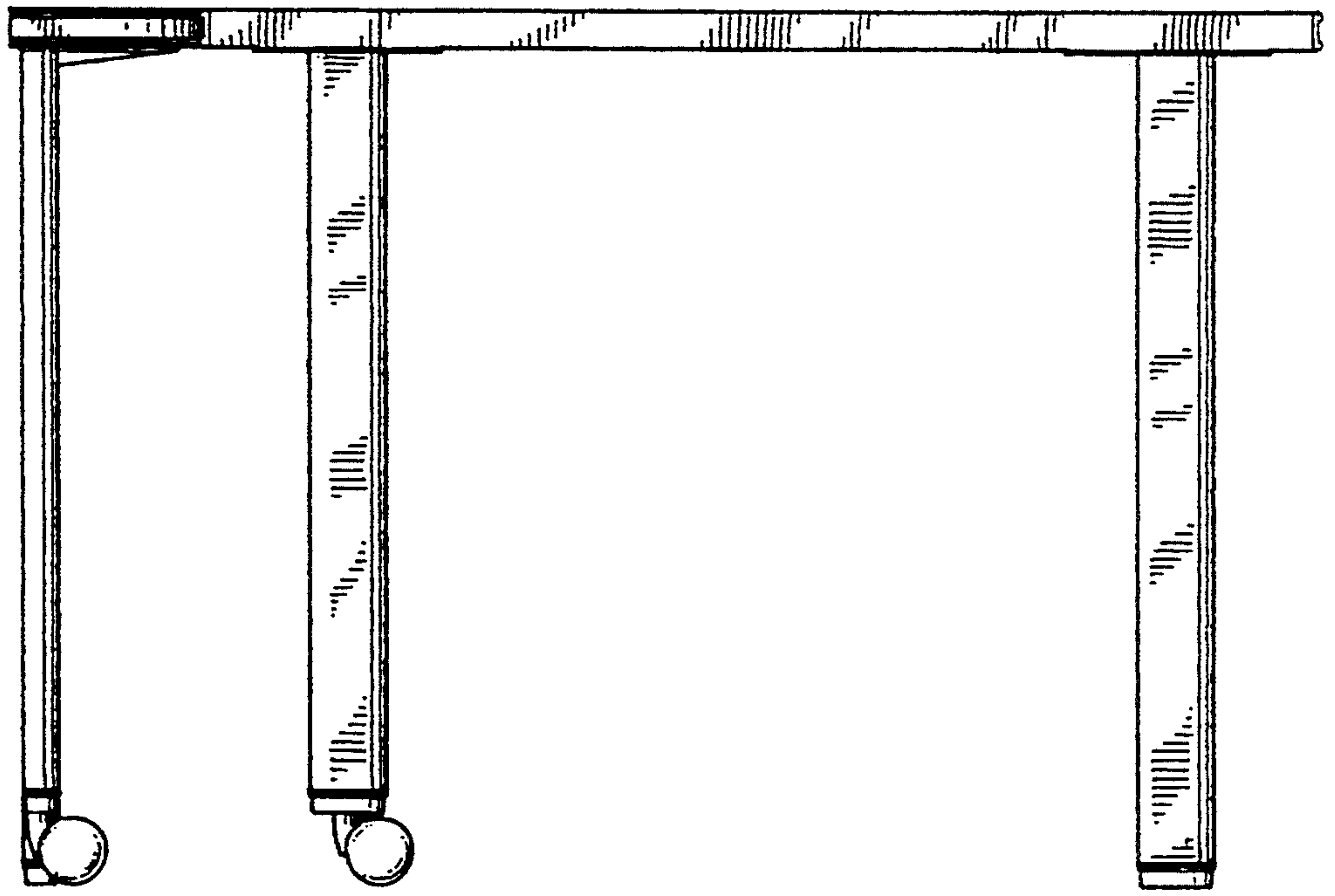


FIG. 5

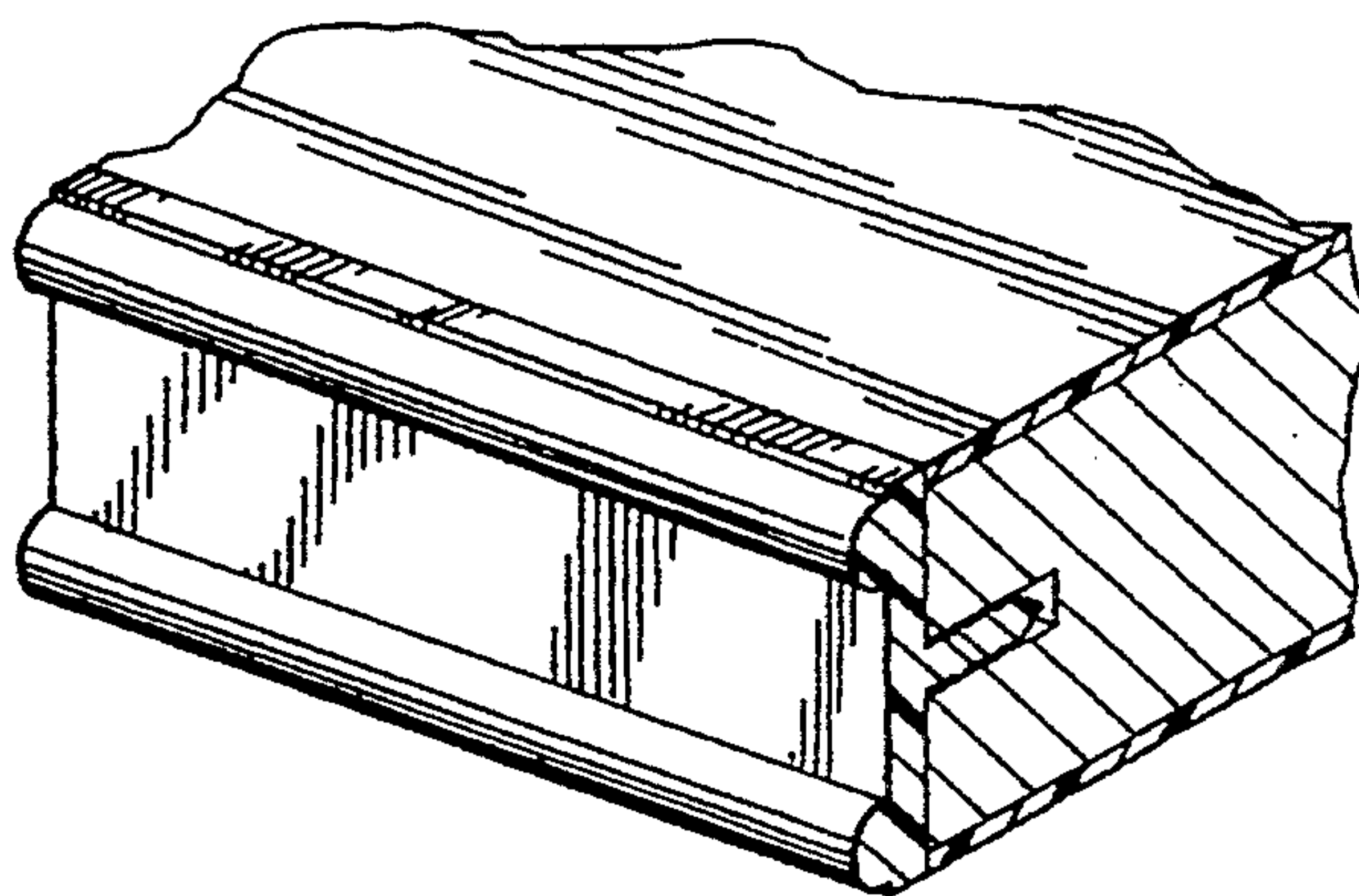


FIG. 6