



US00D359404S

United States Patent [19]

[11] Patent Number: **Des. 359,404**

Svee

[45] Date of Patent: **** Jun. 20, 1995**

[54] **HOLDER FOR PERSONAL ITEMS**

[75] Inventor: **Roy M. Svee**, Bloomington, Minn.

[73] Assignee: **Minnesota American, Inc.**,
Minnetonka, Minn.

[**] Term: **14 Years**

[21] Appl. No.: **284,484**

[22] Filed: **Dec. 15, 1988**

[52] U.S. Cl. **D6/476; D6/573**

[58] Field of Search **D6/476, 475, 449, 467,
D6/464, 468, 470, 461, 455, 563, 573; 211/50;
D19/86, 90, 91**

2,876,980	3/1959	Salter .	
2,911,275	11/1959	Wise .	
2,923,972	2/1960	Saunders .	
2,964,275	12/1960	Atkinson .	
2,965,427	12/1960	Sessions .	
3,185,537	5/1965	Wright .	
3,665,790	5/1972	Jones .	
3,986,649	10/1976	Heimstra	211/42 X
3,997,220	12/1976	Mayer .	
4,100,684	7/1978	Berger .	
4,408,811	10/1983	Richardson et al. .	
4,605,292	8/1986	McIntosh .	

OTHER PUBLICATIONS

Elfa publication.
 Designworks publication.
 Business & Institutional Furniture Co. (B.I.), p. 37; item E.
 Eldon Office Products, ©1986, p. 15, item 1630.
 Beacon Acrylics, p. 2, item AC-20 ©1979.

Primary Examiner—Jeffrey Asch
Attorney, Agent, or Firm—Burd Bartz & Gutenkauf

[56] **References Cited**

U.S. PATENT DOCUMENTS

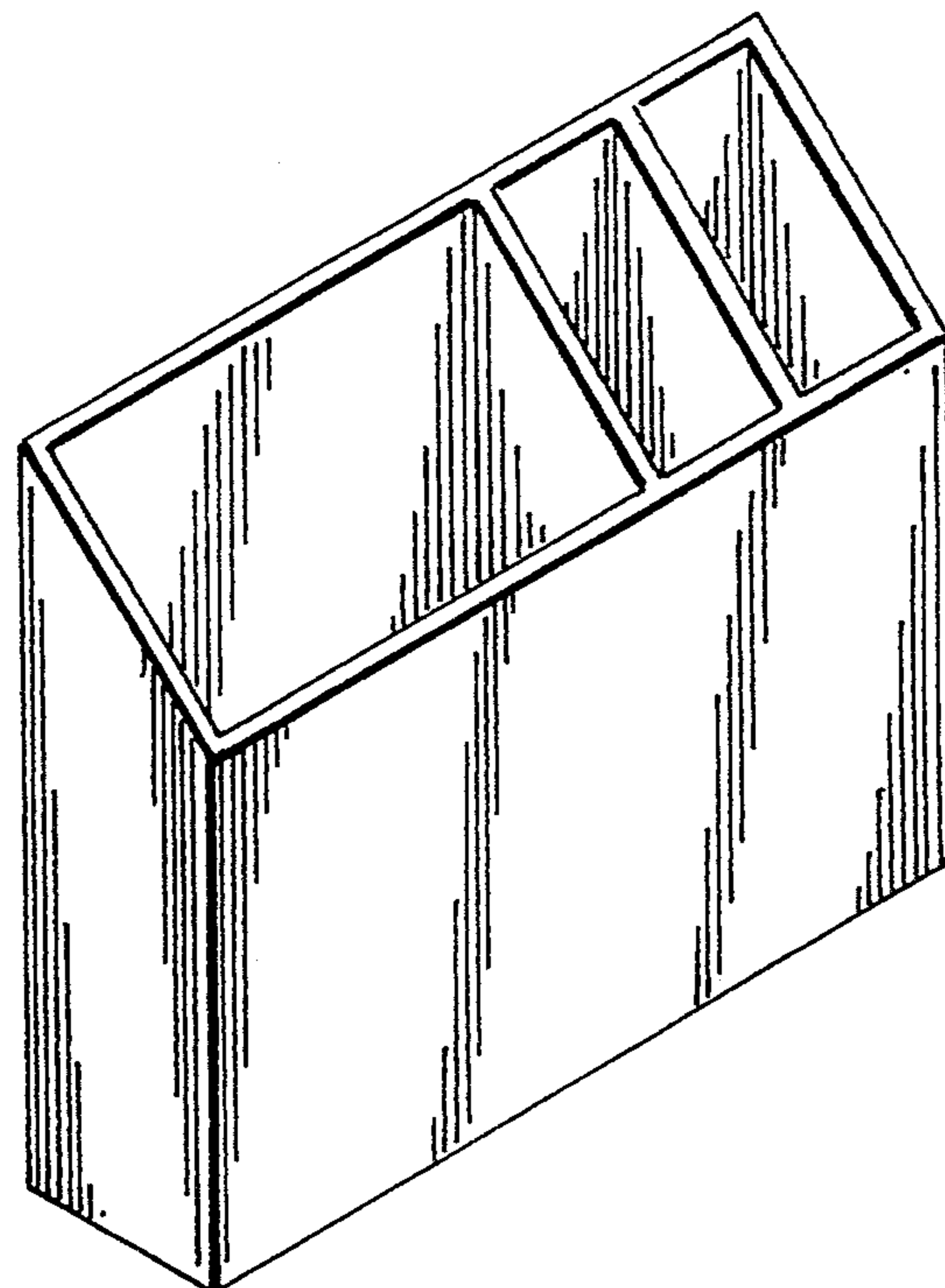
D. 34,100	2/1901	Long	D6/471 X
D. 104,956	6/1937	Baker	D6/470
D. 162,153	2/1951	Gilfert	D19/90 X
D. 173,896	1/1955	Creg	D19/85
176,341	4/1876	Osbourn	211/50 X
D. 219,957	2/1971	Spahr .	
D. 267,808	2/1983	Russo	D19/78
D. 271,942	12/1983	Goldman .	
D. 298,639	11/1988	Wolff	D19/85
D. 308,076	5/1990	Gecchelin	D19/85
D. 316,111	4/1991	Hawes, Jr. et al.	D19/85
423,025	3/1890	Carver .	
821,350	5/1906	Ferris .	
1,350,118	8/1920	Spelling .	
1,585,032	5/1926	Hess .	
1,645,229	10/1927	Churmusi .	
1,697,654	1/1929	Jantzen .	
2,702,225	2/1955	Hawkins .	
2,823,972	2/1958	Saunders .	

[57] **CLAIM**

The ornamental design of a holder for personal items, as shown and described.

DESCRIPTION

FIG. 1 is a perspective view of a holder for personal items my new design;
 FIG. 2 is a front elevational view thereof;
 FIG. 3 is a rear elevational view thereof;
 FIG. 4 is a side view thereof, the opposite side being a mirror image thereof;
 FIG. 5 is a top plan view thereof; and,
 FIG. 6 is a bottom plan view thereof.



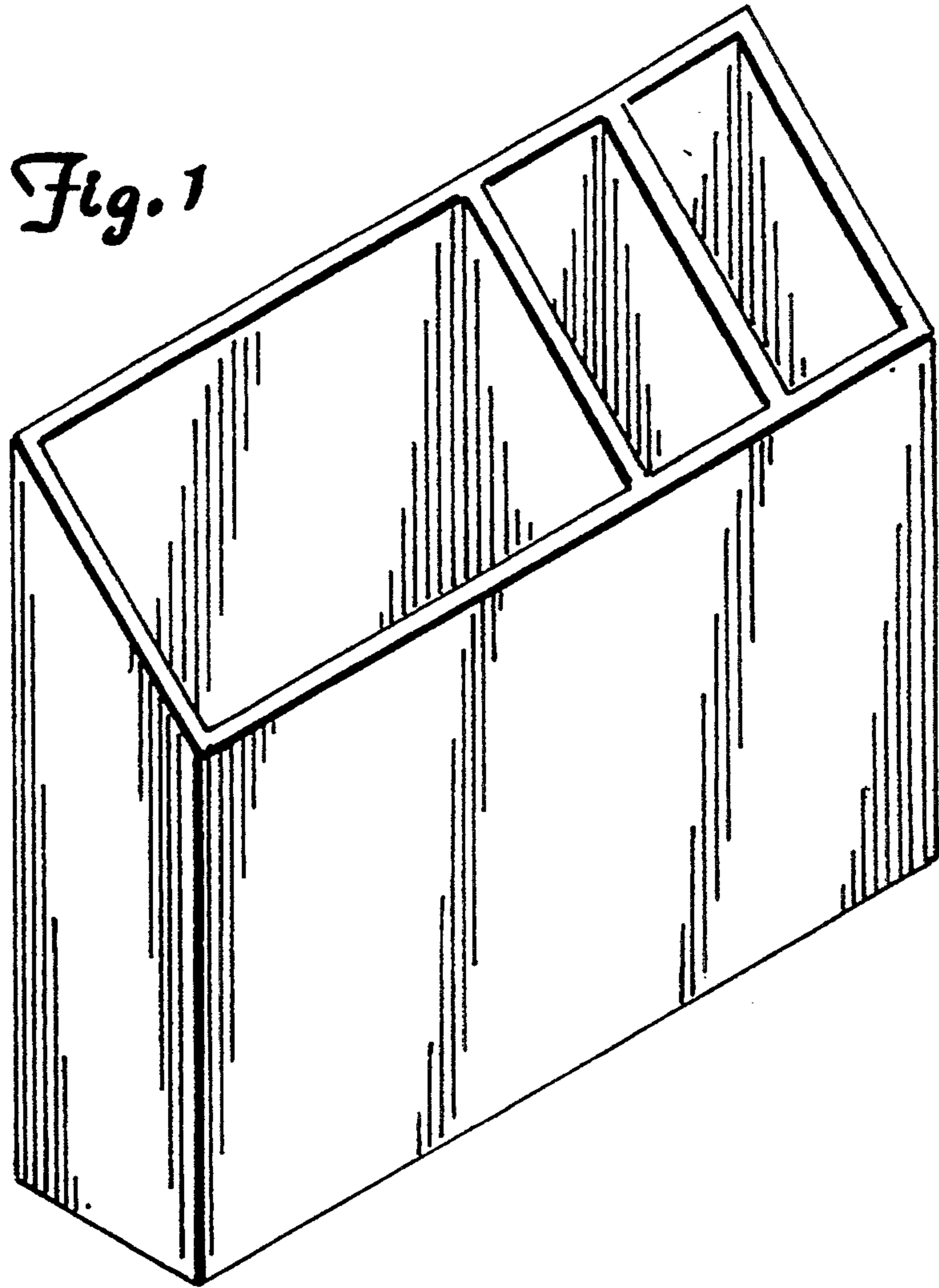


Fig. 3

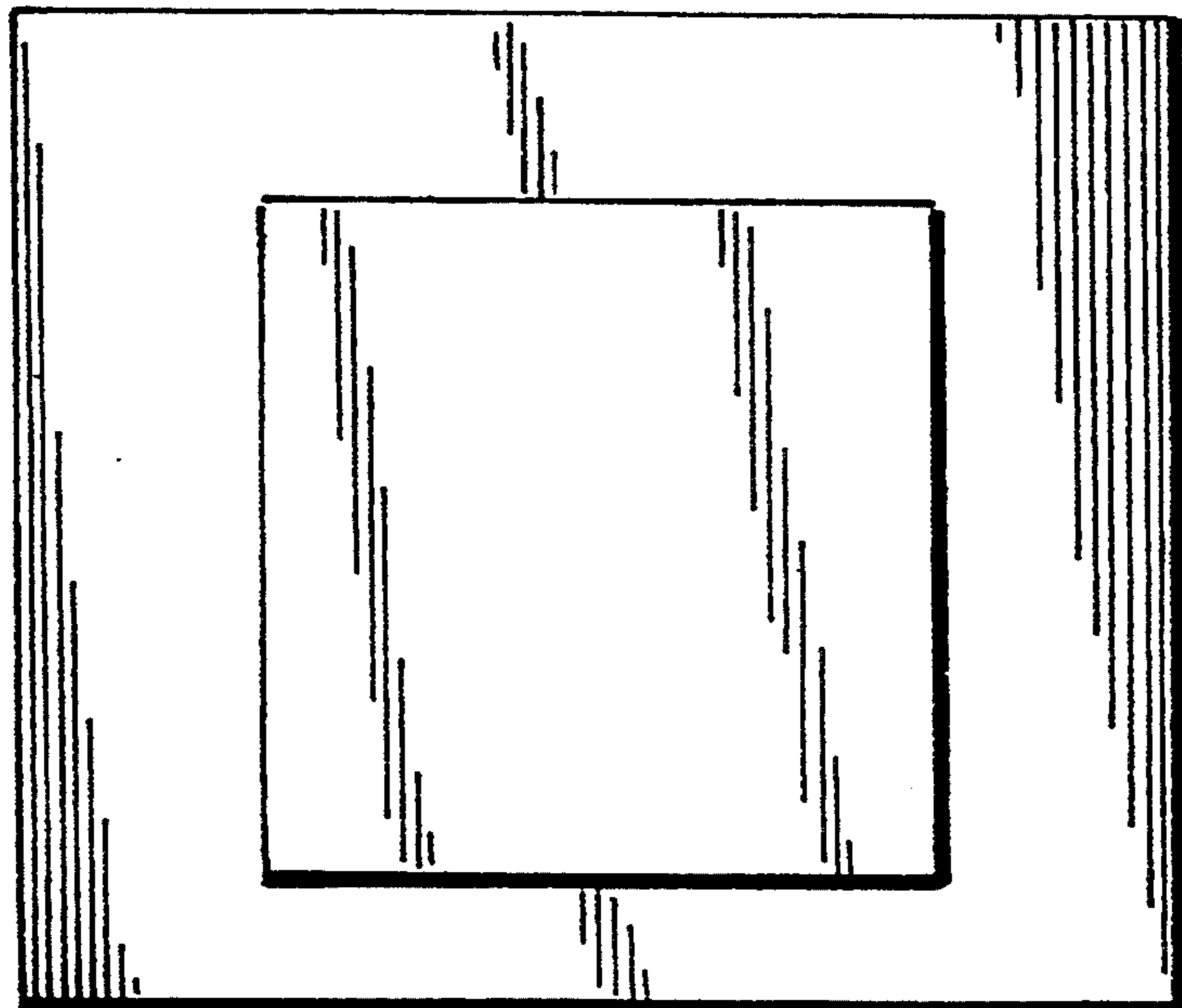


Fig. 2

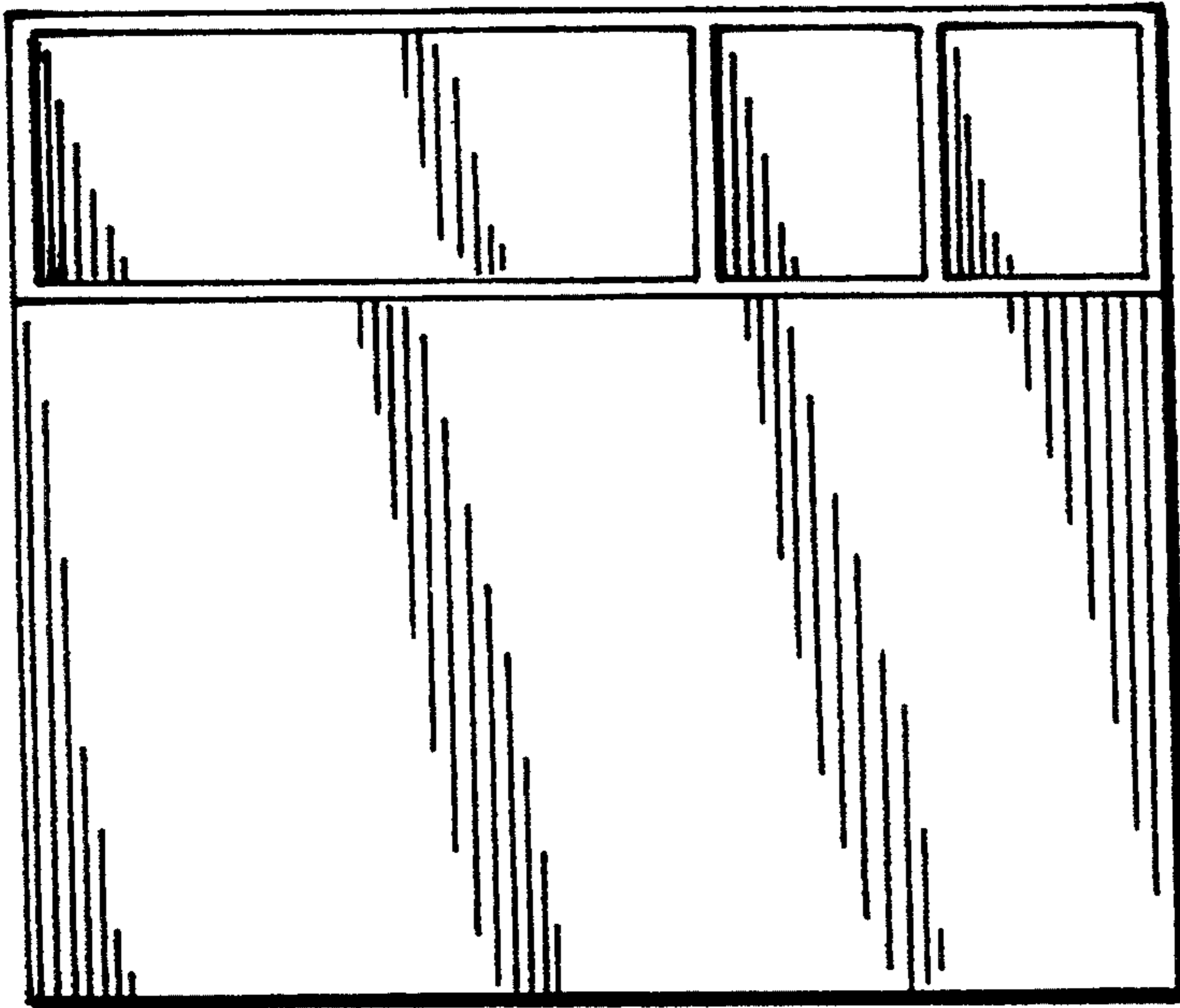


Fig. 4

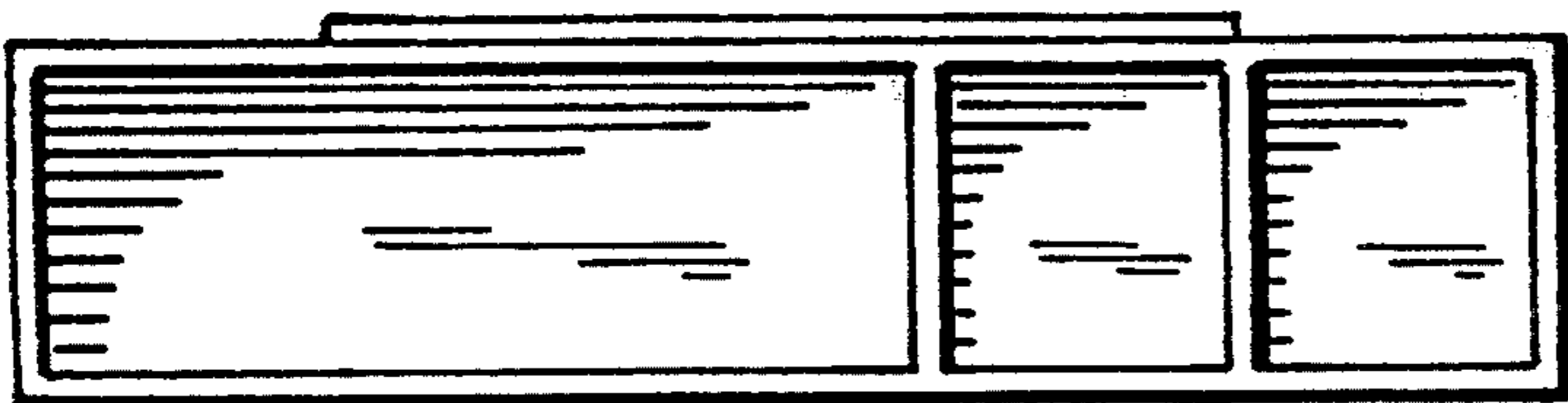
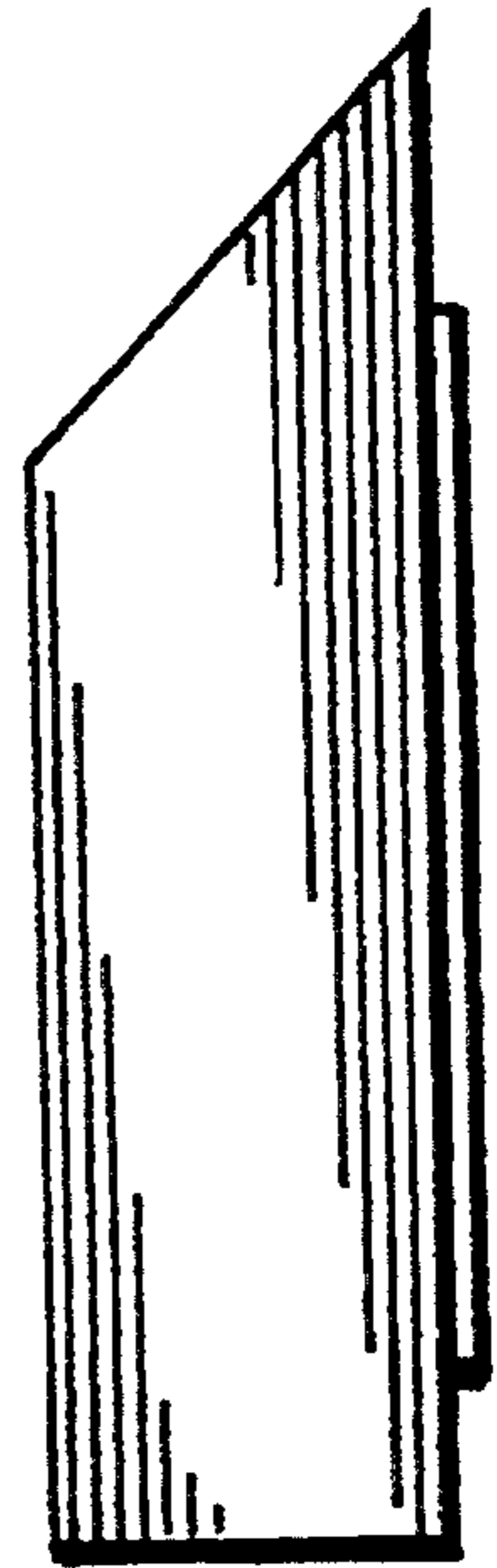


Fig. 5

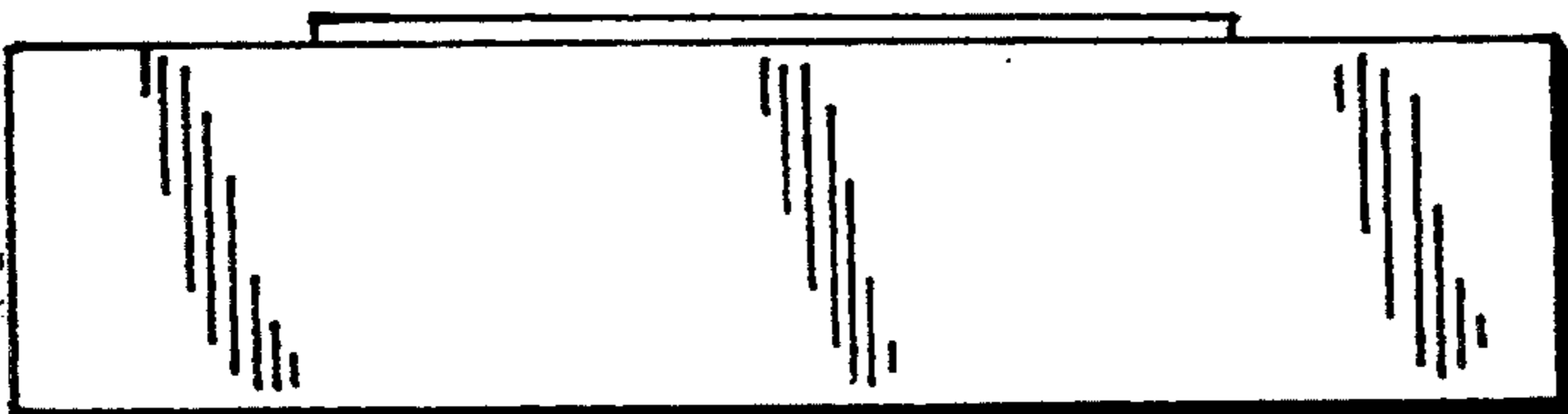


Fig. 6