



US00D359399S

United States Patent [19]

[11] Patent Number: **Des. 359,399**

Rath

[45] Date of Patent: **** Jun. 20, 1995**

[54] **FLOCKED READING AND WRITING DESK**

5,052,650 10/1991 Beile et al. 248/451

[76] Inventor: **Michael Rath**, Bannewerthstrasse 18,
D-5970 Plettenberg, Germany

OTHER PUBLICATIONS

Office Appliances Jan. 1960 p. 56; "vision-aid" copy center left on page.

[**] Term: **14 Years**

Primary Examiner—Carmen H. Vales-Lado
Attorney, Agent, or Firm—Antonelli, Terry, Stout & Kraus

[21] Appl. No.: **7,590**

[22] Filed: **Apr. 28, 1993**

[30] Foreign Application Priority Data

Oct. 28, 1992 [DE] Germany M 92 07 797.8

[52] U.S. Cl. **D6/419**; D19/88;
D19/91

[58] Field of Search D6/406, 419, 420, 310,
D6/313; D19/88, 91, 90; 211/42, 43;
248/441.1, 448, 449, 454-457, 451

[57] CLAIM

The ornamental design for a flocked reading and writing desk, as shown.

[56] References Cited

U.S. PATENT DOCUMENTS

D. 287,914	1/1987	Woolf	D6/419
D. 308,227	5/1990	Evenson	D19/88
2,563,671	8/1951	Basinger	248/456
4,044,980	8/1977	Cummins	248/456

DESCRIPTION

FIG. 1 is a front, top and left side perspective view of a flocked reading and writing desk showing my new design;
FIG. 2 is a left side elevational view thereof;
FIG. 3 is a rear perspective view thereof;
FIG. 4 is a bottom plan view thereof; and,
FIG. 5 is a front, top and left side perspective view of another flocked reading and writing desk showing my new design.

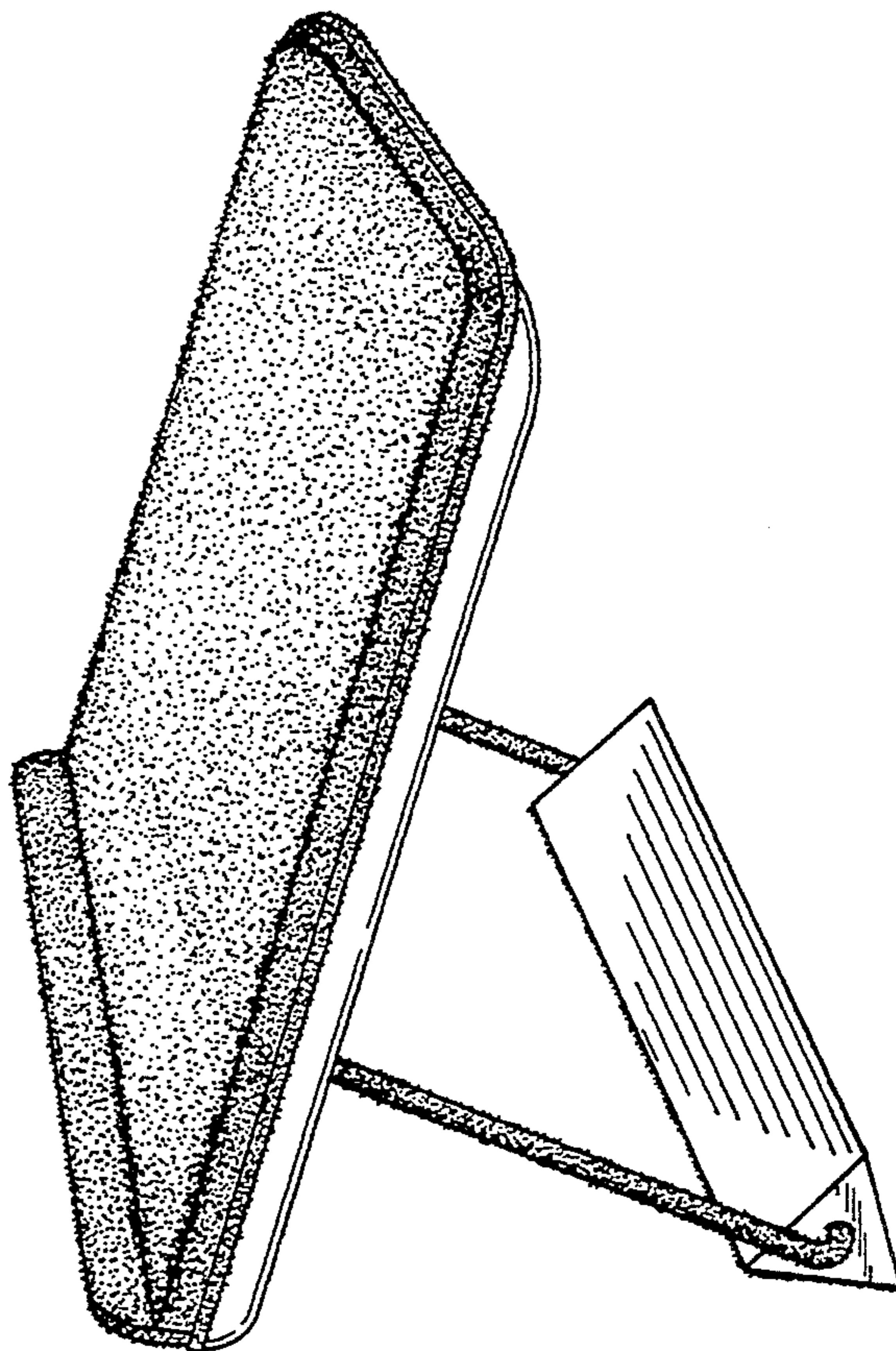
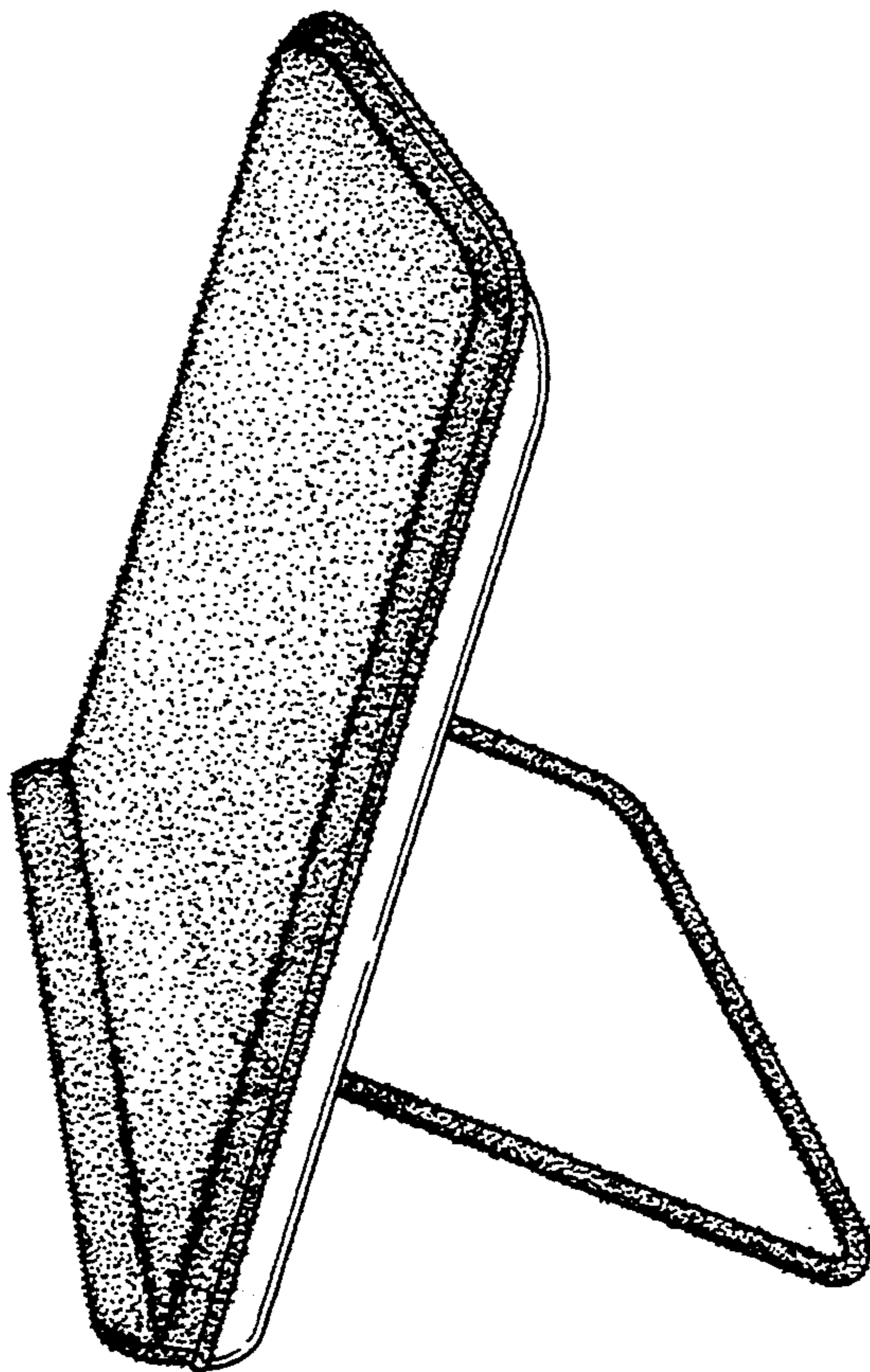


FIG. 1

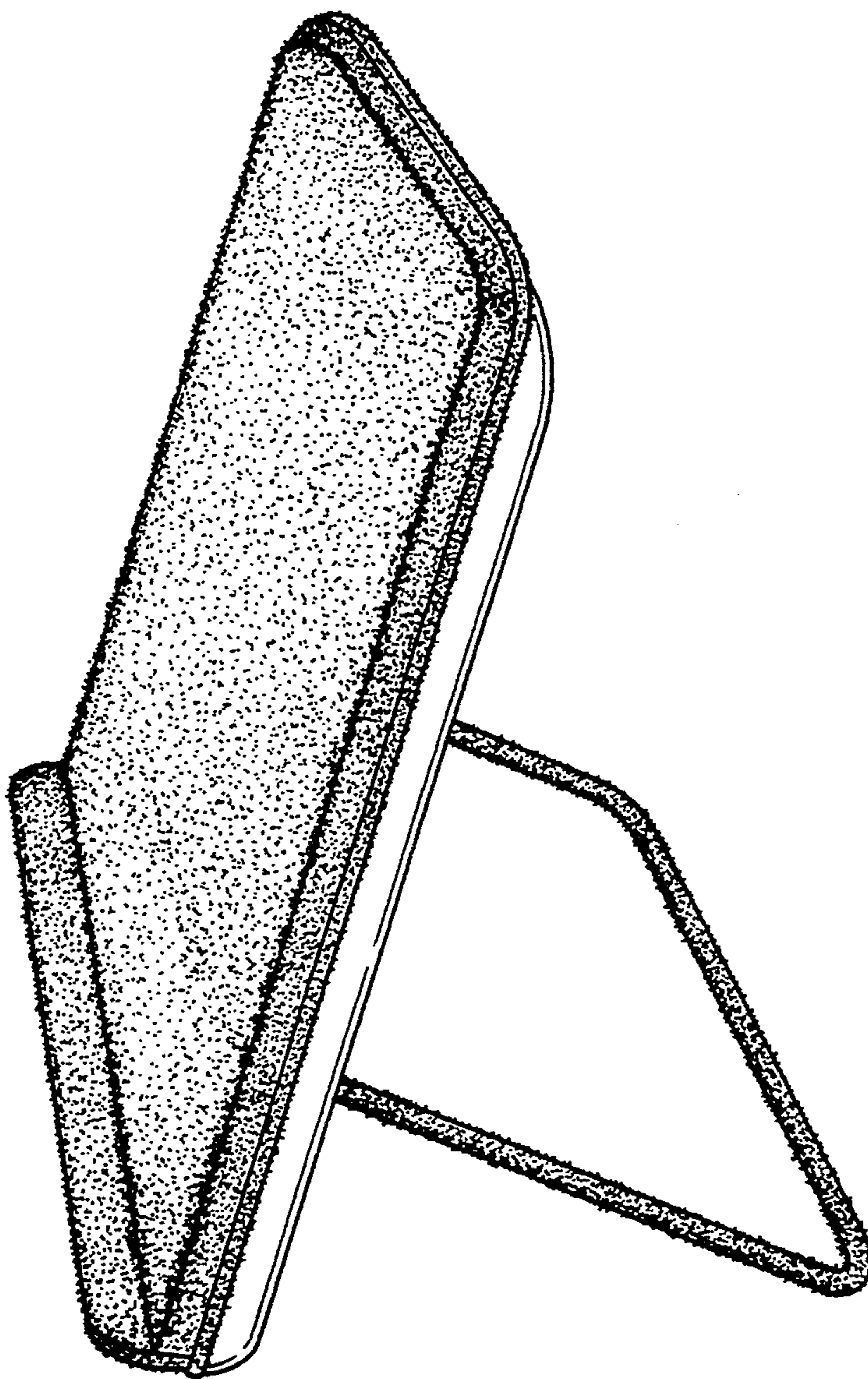
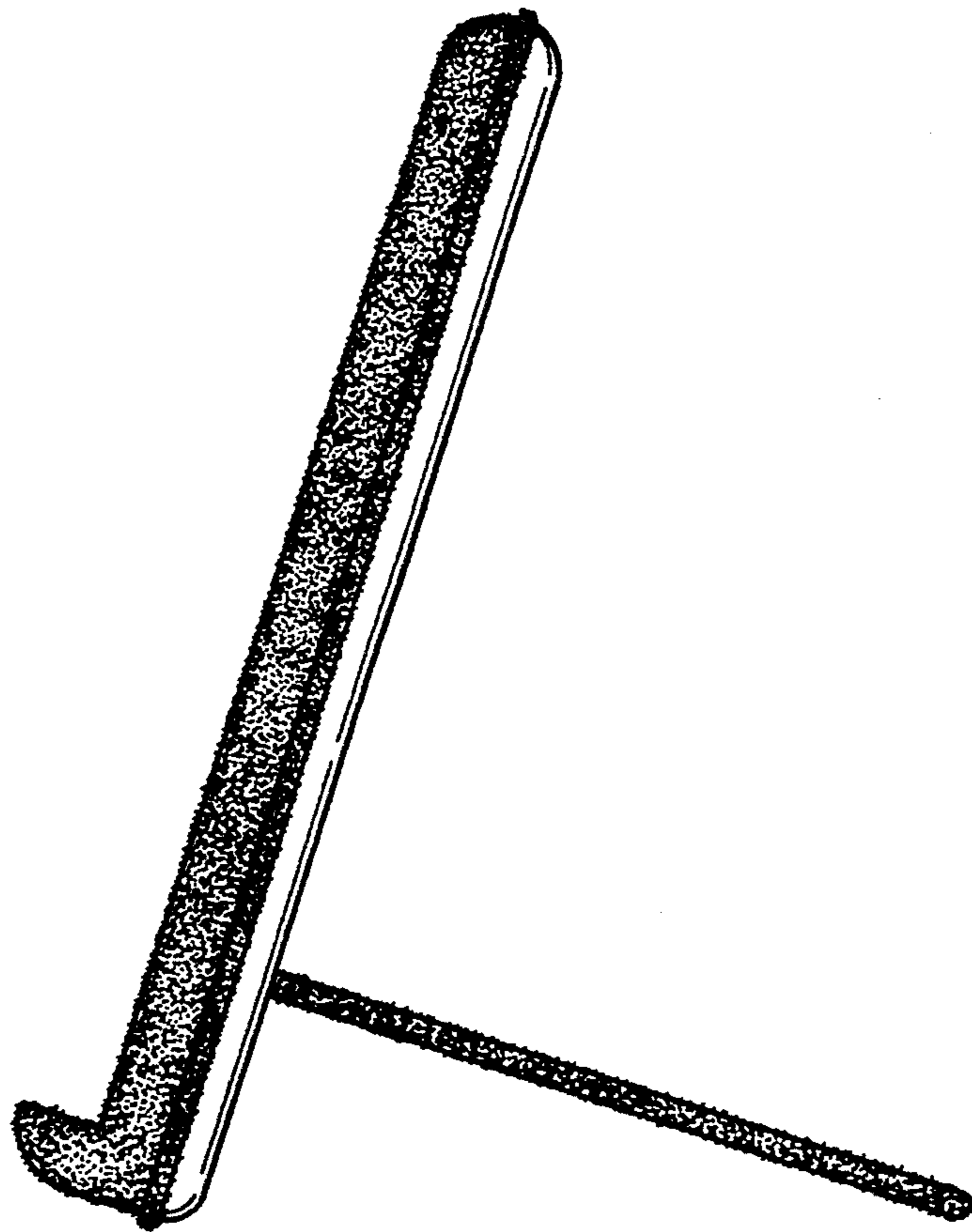


FIG. 2



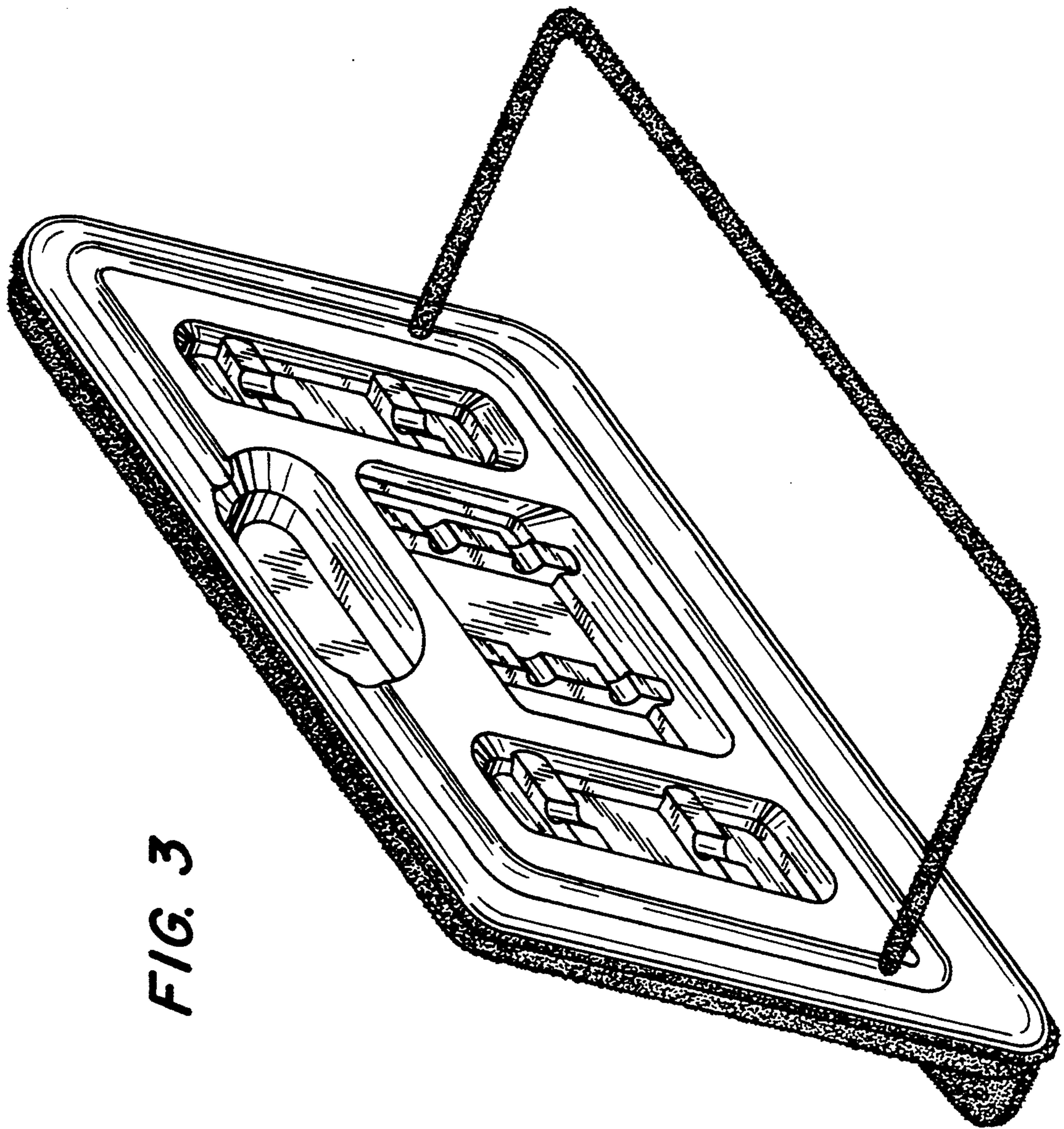


FIG. 3

FIG. 4

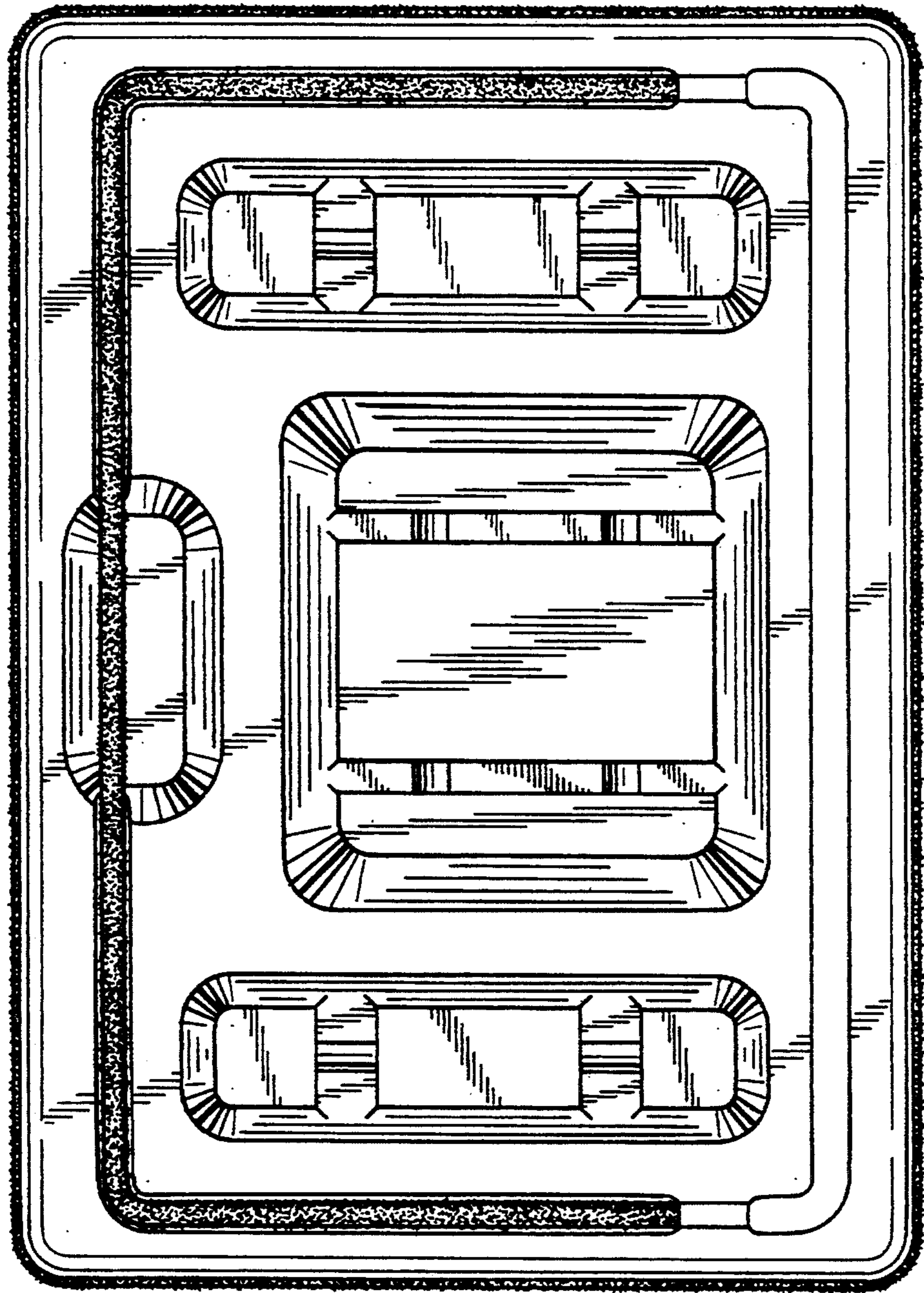


FIG. 5

