



US00D359398S

**United States Patent** [19]  
**Jaykus**

[11] **Patent Number: Des. 359,398**  
[45] **Date of Patent: \*\* Jun. 20, 1995**

[54] **TABLE FOR USE IN A MOTOR VEHICLE**

[76] **Inventor: George M. Jaykus, 9655 F Navarre Pkwy., Navarre, Fla. 32566**

[\*\*] **Term: 14 Years**

[21] **Appl. No.: 13,354**

[22] **Filed: Sep. 23, 1993**

[52] **U.S. Cl. .... D6/406**

[58] **Field of Search ..... D6/406, 419, 420, 510-511, D6/338, 339, 429; D19/88; 108/42-46, 49; 248/441.1, 444, 463**

[56] **References Cited**

**U.S. PATENT DOCUMENTS**

297,219	4/1884	Anthony .....	108/43
D. 335,227	5/1993	Lapsker et al. ....	D6/406 X
563,668	7/1896	Lesser .....	108/32
2,719,066	9/1955	Budzinski .....	108/45 X
3,309,133	3/1967	Butler .....	296/51
3,643,606	2/1972	Vise .....	108/44
4,283,083	8/1981	Johnson .....	296/50

**FOREIGN PATENT DOCUMENTS**

1550899 8/1979 United Kingdom ..... 108/44

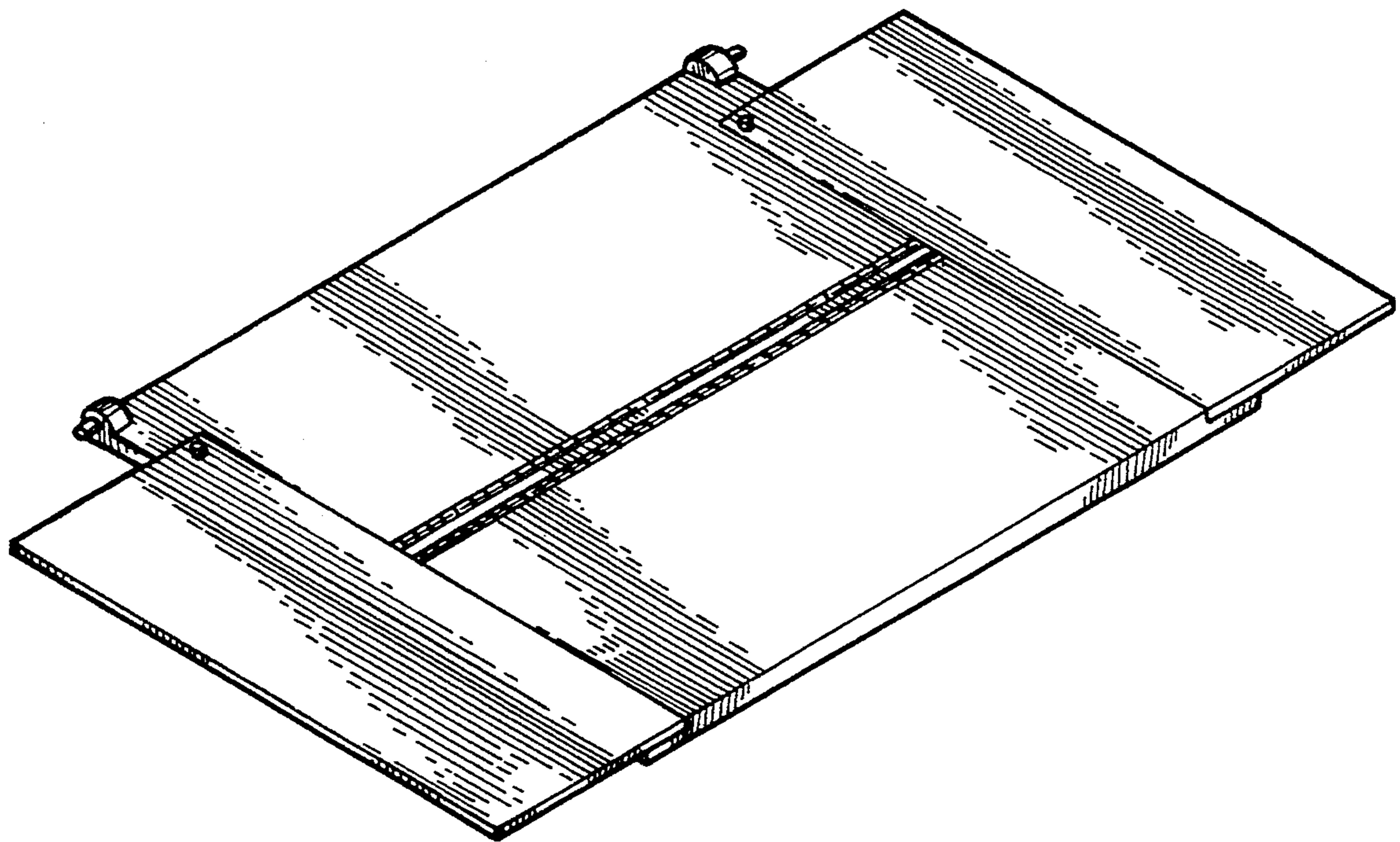
*Primary Examiner*—Janice E. Seeger  
*Attorney, Agent, or Firm*—Terry M. Gernstein

[57] **CLAIM**

The ornamental design for a table for use in a motor vehicle, as shown and described.

**DESCRIPTION**

FIG. 1 is a front, top and side perspective view of the table for use in a motor vehicle showing my new design in the folded configuration;  
FIG. 2 is a front elevational view thereof;  
FIG. 3 is a rear elevational view thereof;  
FIG. 4 is a side elevational view thereof, the side opposite being a mirror image of the side shown in FIG. 4;  
FIG. 5 is a top plan view thereof, the bottom view being plain and unornamented;  
FIG. 6 is a perspective view thereof in the open configuration; and,  
FIG. 7 is a perspective view of the article in the open condition showing the side opposite that shown in FIG. 6.



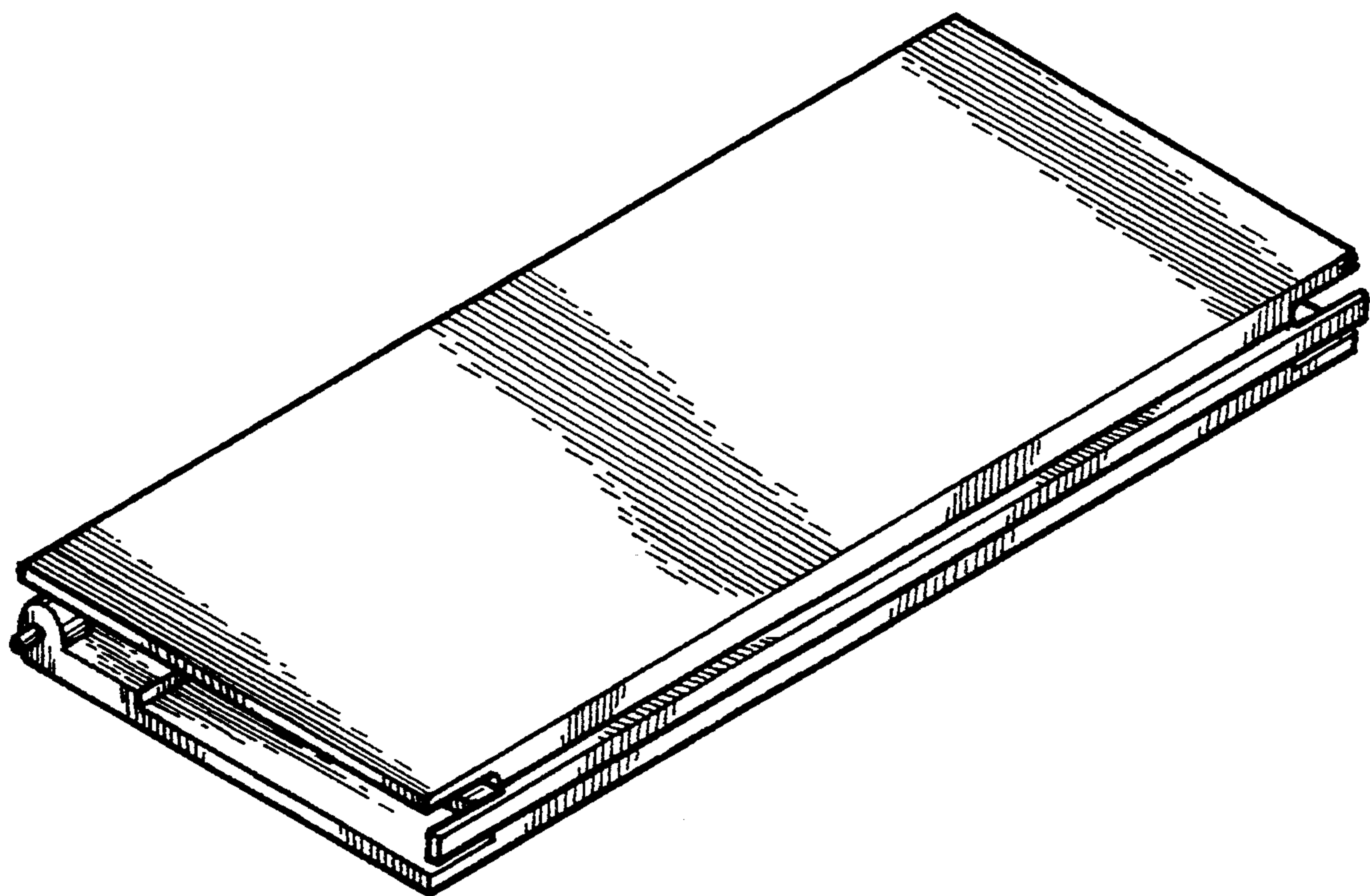


FIG. 1



FIG. 2

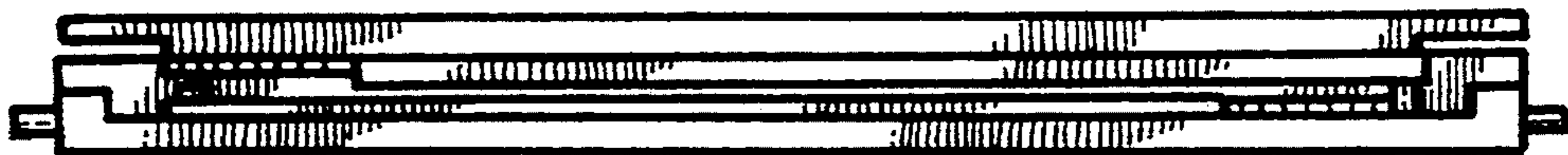


FIG. 3

FIG. 4

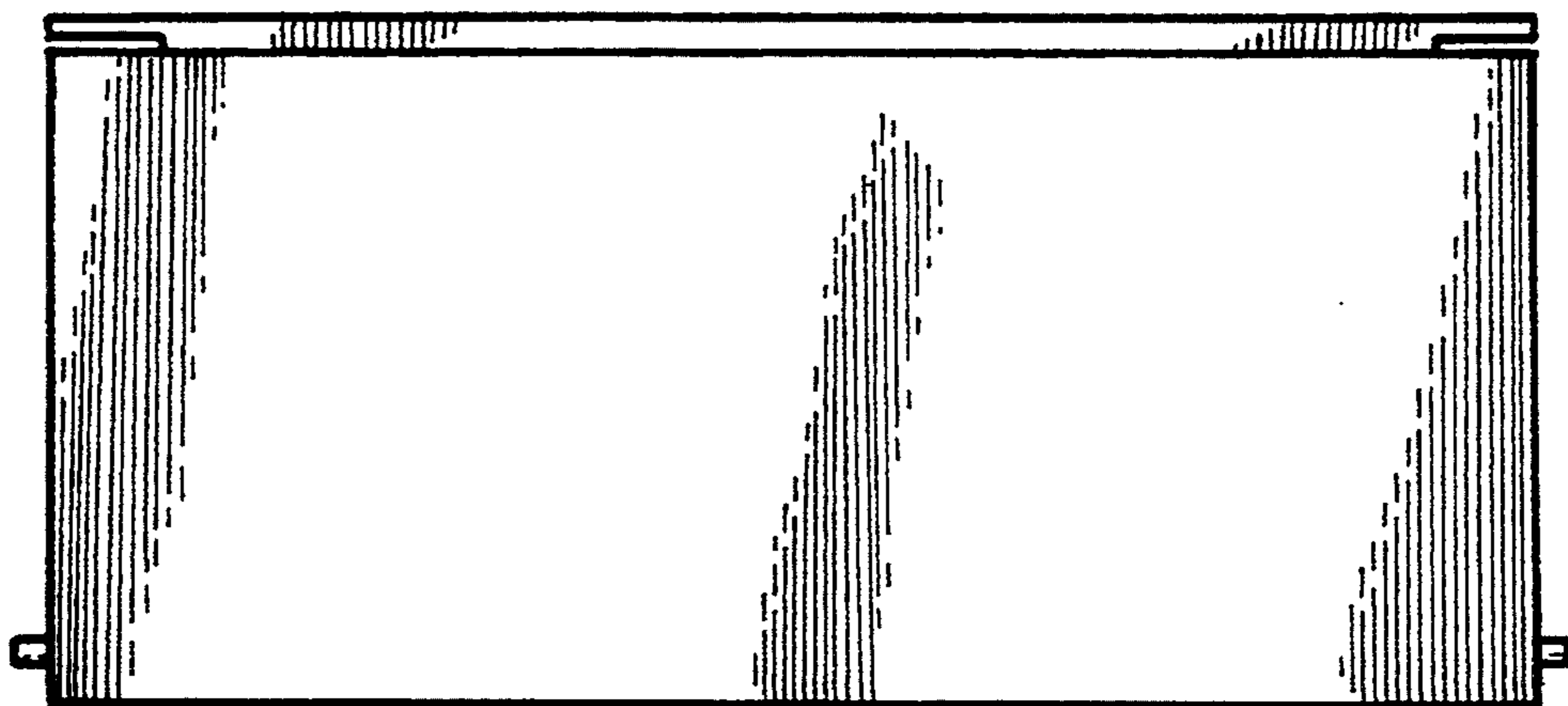
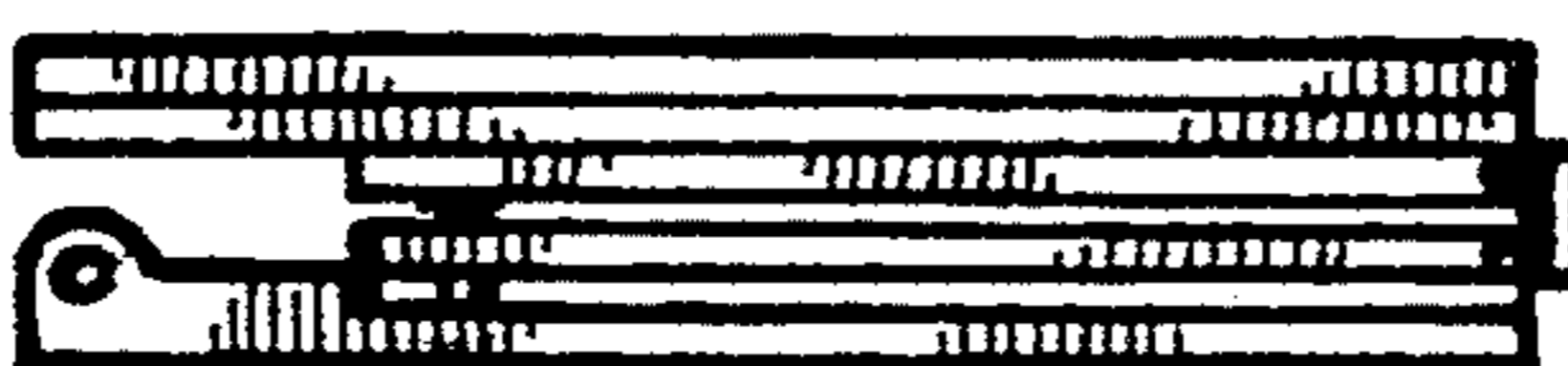


FIG. 5

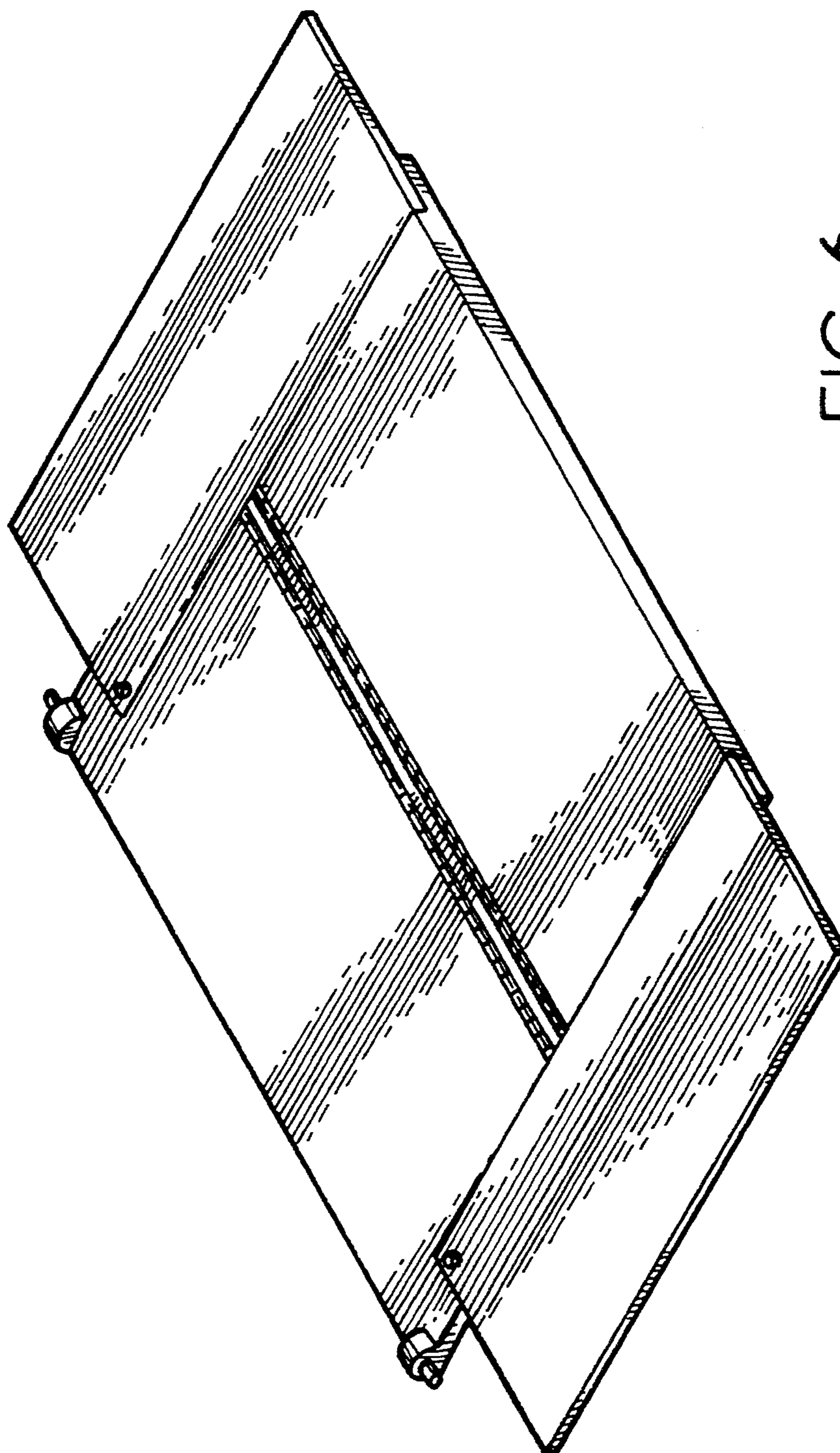


FIG. 6

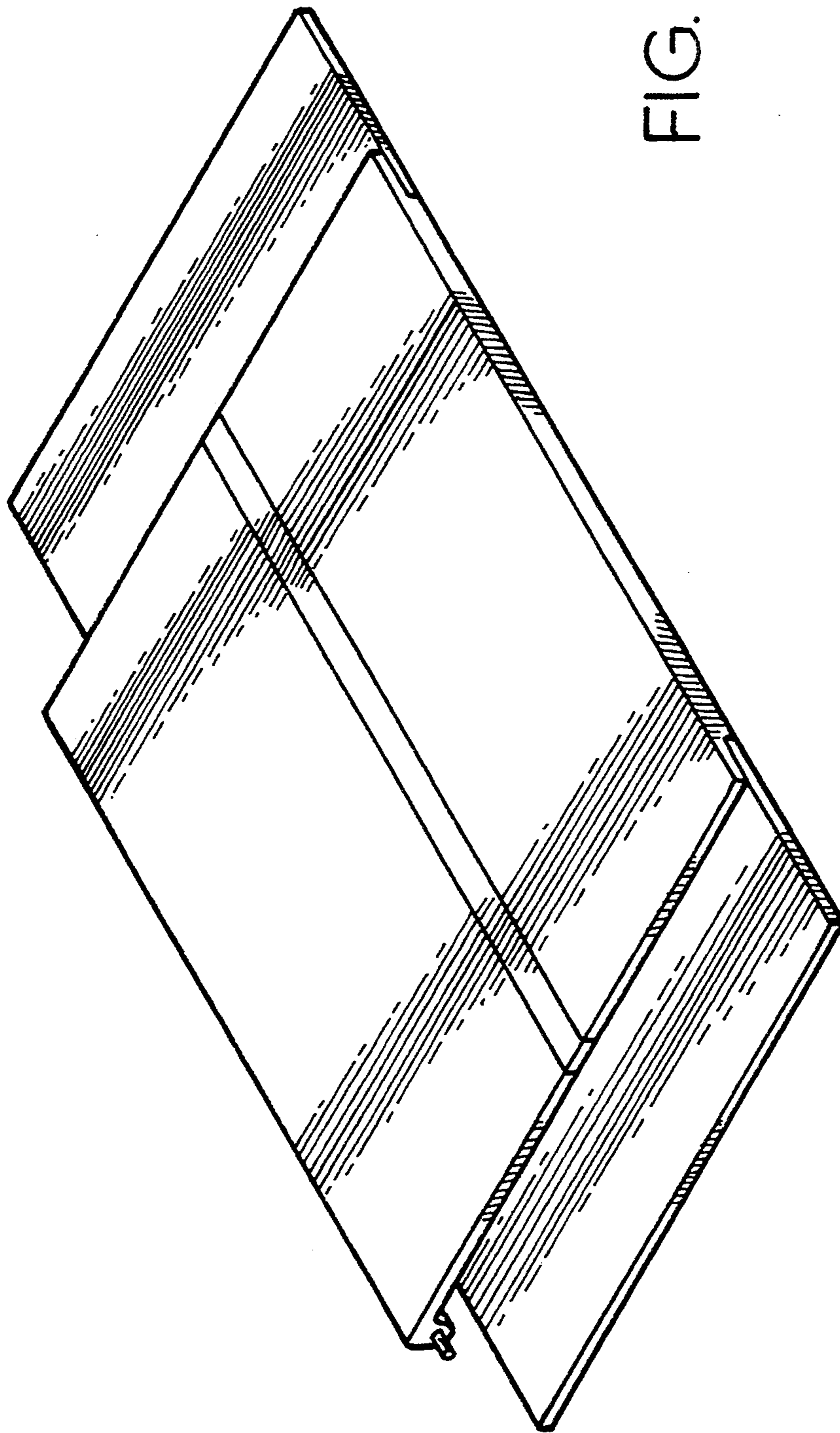


FIG. 7