



US00D359397S

# United States Patent [19]

[11] Patent Number: **Des. 359,397**

McPhee

[45] Date of Patent: **\*\* Jun. 20, 1995**

[54] **CHAIR**

[76] Inventor: **Steve K. McPhee**, 342 Dame Rd., Durham, N.H. 03824

[\*\*] Term: **14 Years**

[21] Appl. No.: **13,443**

[22] Filed: **Sep. 20, 1993**

[52] U.S. Cl. .... **D6/370; D6/368**

[58] Field of Search ..... **D6/334, 335, 368, 370, D6/374, 379, 380, 500, 501, 502; 297/440.1, 440.22, 446**

[56] **References Cited**

**U.S. PATENT DOCUMENTS**

D. 178,100	6/1956	Van Koert .....	D6/374
D. 248,905	8/1978	Schoeller .....	D6/374
D. 278,767	5/1985	Lundquist .....	D6/335
D. 287,672	1/1987	Holl .....	D6/370
D. 292,656	11/1987	Masterton .....	D6/370
4,302,048	11/1981	Yount .....	297/440
4,904,022	2/1990	Morozzi .....	297/440

**OTHER PUBLICATIONS**

Schöner Wohner, Sep. 1979, p. 175, Chair at bottom right.

Loewenstein Catalist 14, Jun. 1, 1985, p. 6, Chair #201 at bottom left.

Furniture/Today, Apr. 10, 1989, p. 218, Chair at bottom center.

*Primary Examiner*—Alan P. Douglas

*Assistant Examiner*—Gary D. Watson

*Attorney, Agent, or Firm*—Robert G. Crooks

[57] **CLAIM**

The ornamental design for a chair, as shown and described.

**DESCRIPTION**

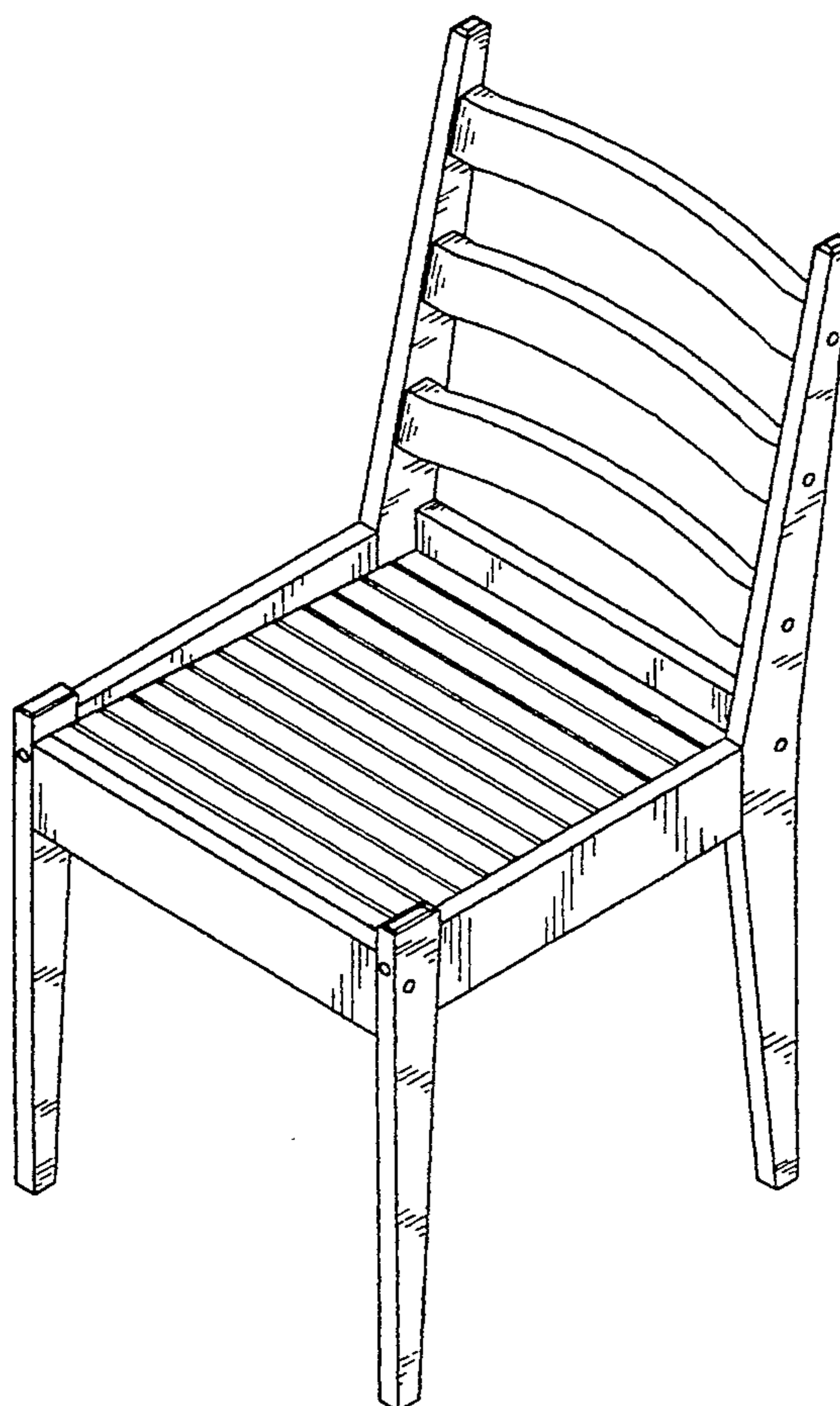
FIG. 1 is a front perspective view of a chair showing my design;

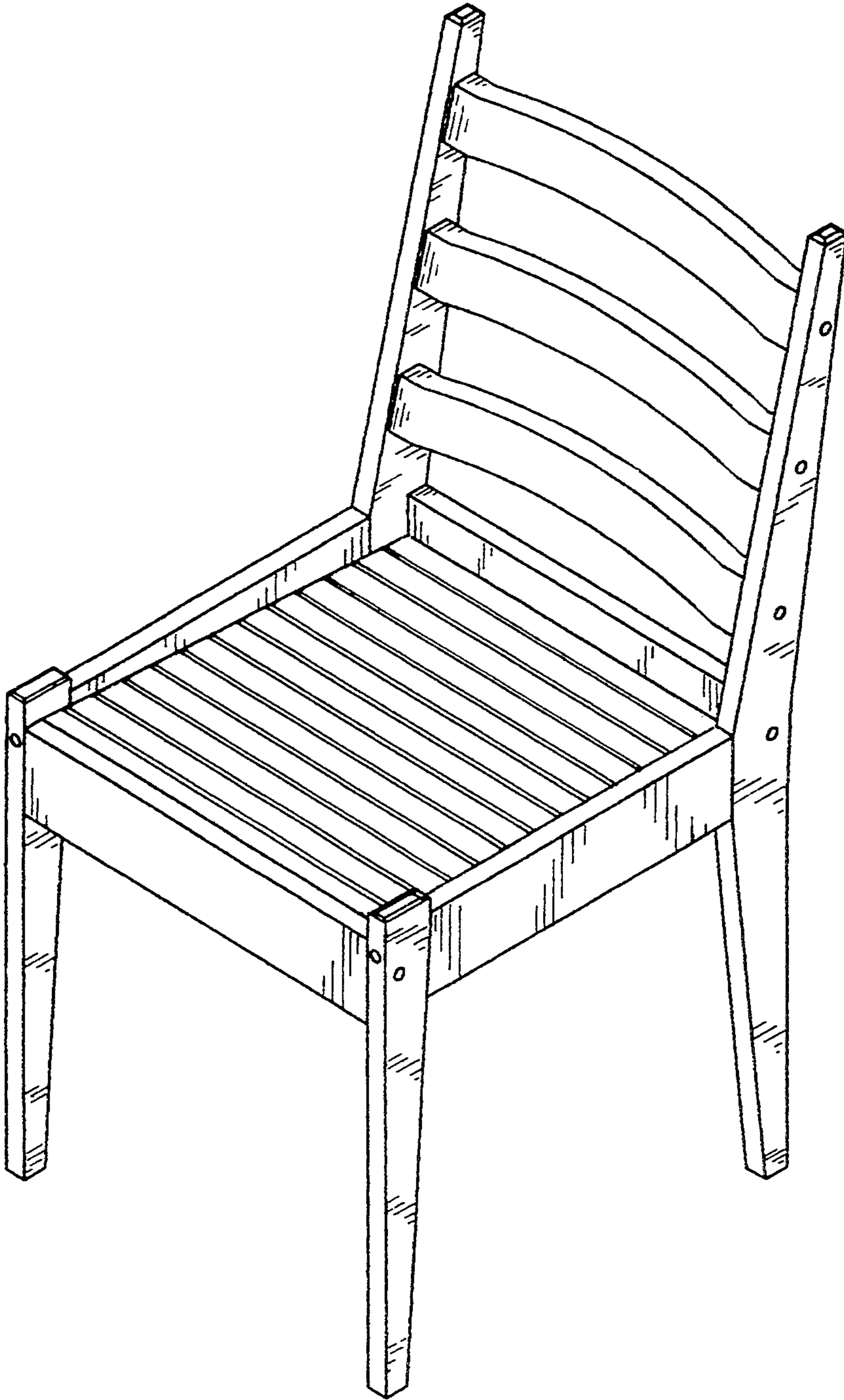
FIG. 2 is a perspective view of a chair showing my design from below and one side;

FIG. 3 is a front perspective view showing the chair partially disassembled; and,

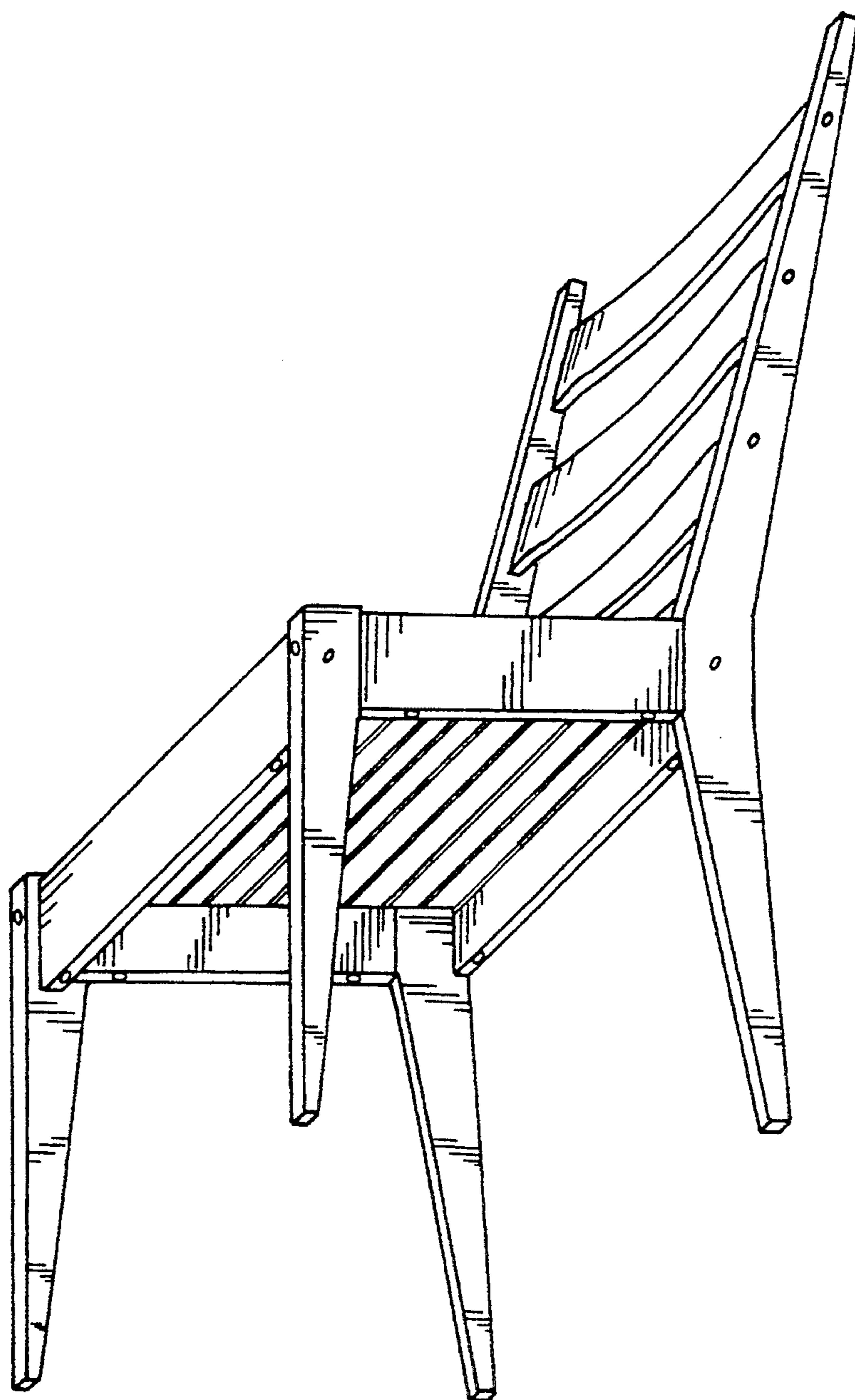
FIG. 4 is a perspective view of the chair from the rear and one side.

The appearance of the chair from either side is a mirror image of the appearance from the other side.



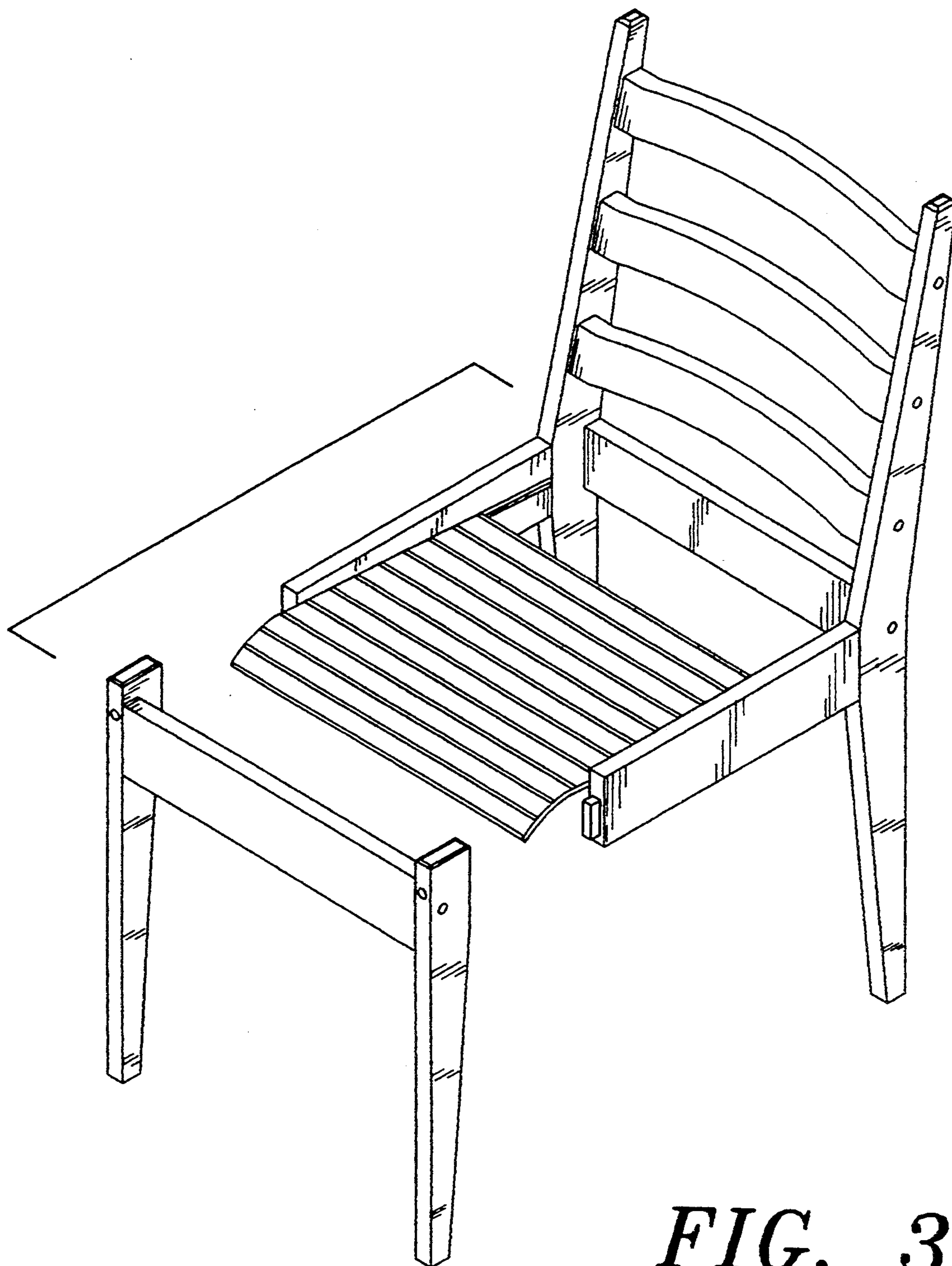


*FIG. 1*

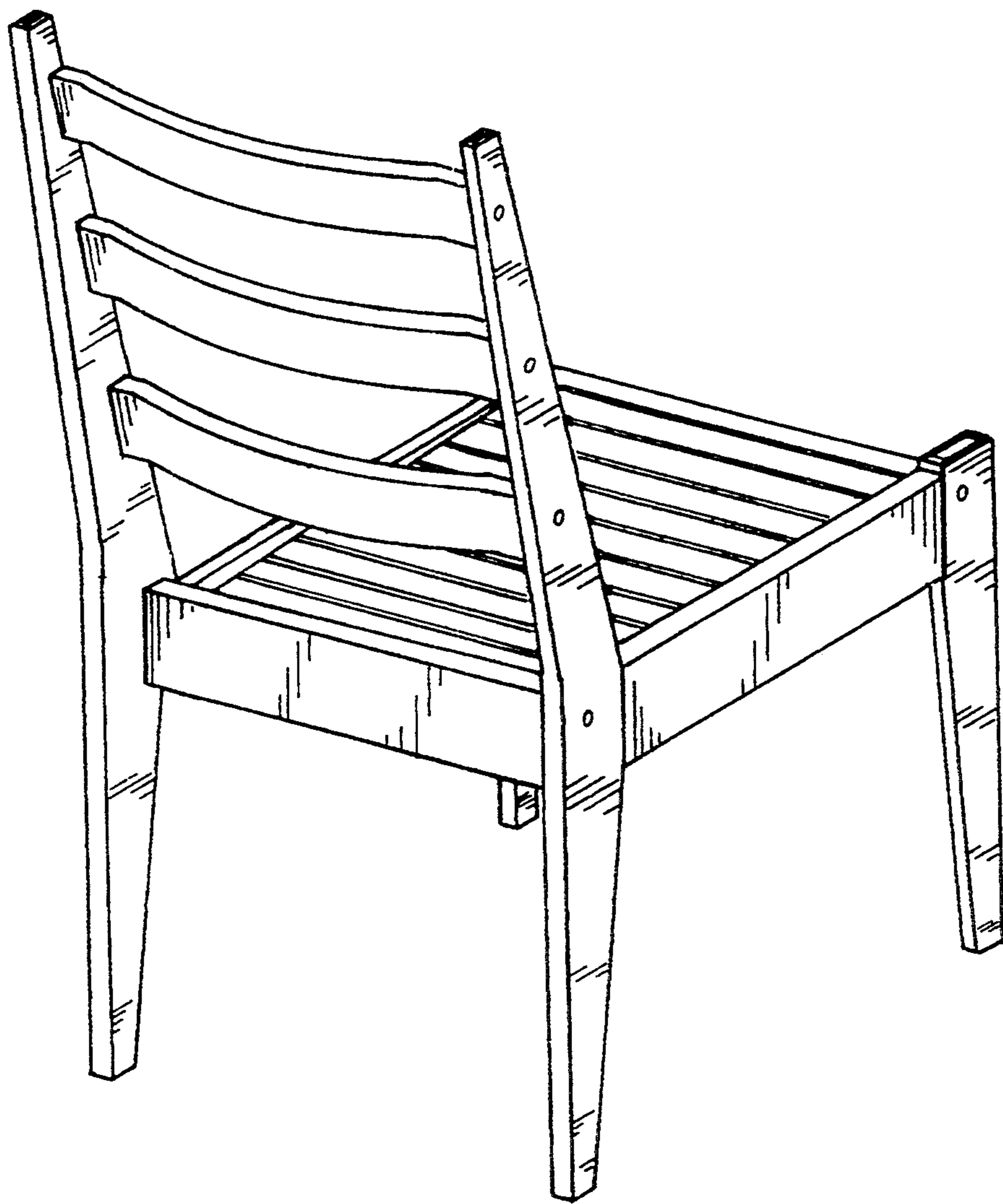


*FIG. 2*





*FIG. 3*



*FIG. 4*