



US00D359392S

United States Patent [19]

[11] Patent Number: **Des. 359,392**

Bellington

[45] Date of Patent: **** Jun. 20, 1995**

[54] **GUN CARE CASE**

[75] Inventor: **Bruce M. Bellington, Odessa, Mo.**

[73] Assignee: **Action Products Co., Odessa, Mo.**

[**] Term: **14 Years**

[21] Appl. No.: **4,318**

[22] Filed: **Feb. 1, 1993**

[52] U.S. Cl. **D3/262**

[58] Field of Search **D3/262, 200, 283, 284, D3/295, 281, 282; 42/94, 95; 206/315.1, 317, 315.11, 579, 373; 89/37.04; 269/156, 296, 317, 258, 901, 275**

3,612,335 10/1971 Schurman D3/281 X
 4,702,029 10/1987 DeVaul et al. 42/94
 4,824,086 4/1989 Riching 269/156
 5,058,302 10/1991 Minneman 42/94

Primary Examiner—Doris V. Coles
Attorney, Agent, or Firm—Hovey, Williams, Timmons & Collins

[57] CLAIM

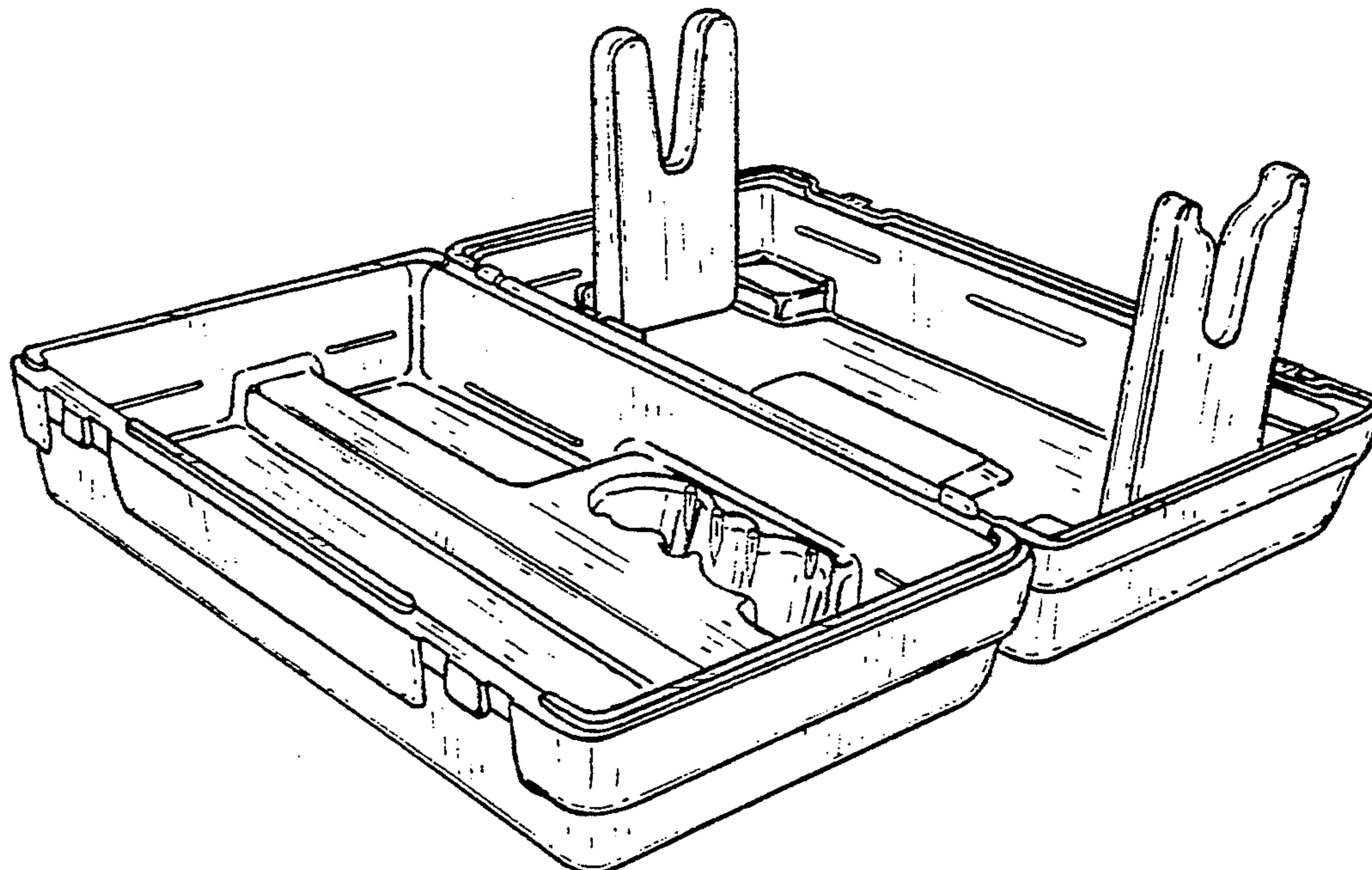
The ornamental design for a gun care case, as shown and described.

DESCRIPTION

FIG. 1 is a perspective view of a gun care case, showing my new design;
 FIG. 2 is a perspective view in the open condition;
 FIG. 3 is a front elevational view in the closed condition;
 FIG. 4 is a rear elevational view;
 FIG. 5 is an end elevational view;
 FIG. 6 is a top plan view;
 FIG. 7 is a bottom plan view; and,
 FIG. 8 is a top plan view of the case in its opened condition.

[56] **References Cited**
U.S. PATENT DOCUMENTS

D. 205,579	8/1966	Schurman	D3/281
D. 220,021	2/1971	Bruening	D3/281
D. 228,580	10/1973	Schurman	D3/281
D. 269,648	7/1983	Wilcox et al.	D3/282
D. 314,273	2/1991	Minneman	D3/262
D. 339,470	9/1993	Marks	D3/262
D. 343,063	1/1994	Chen	D3/282



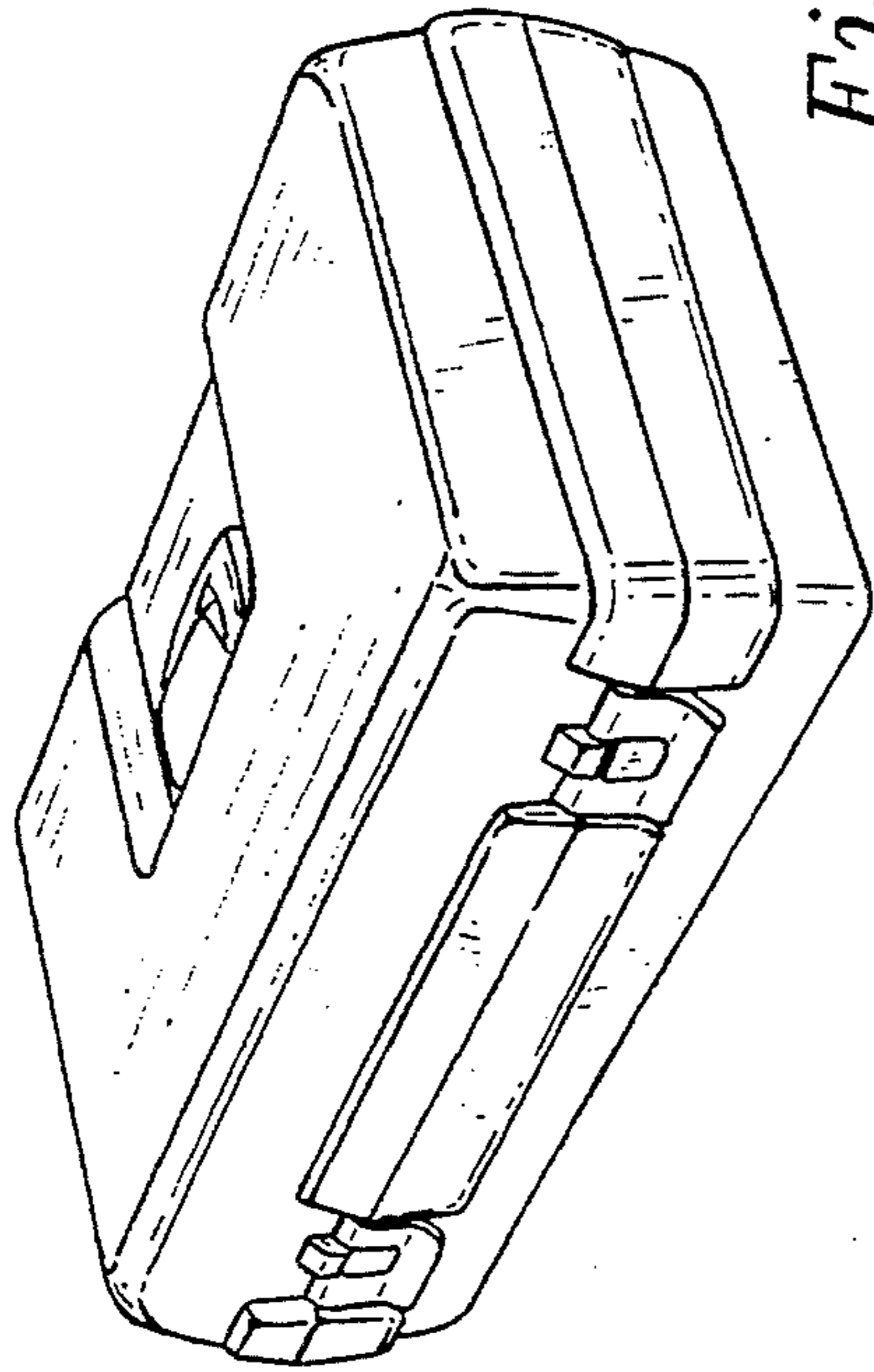


Fig. 1.

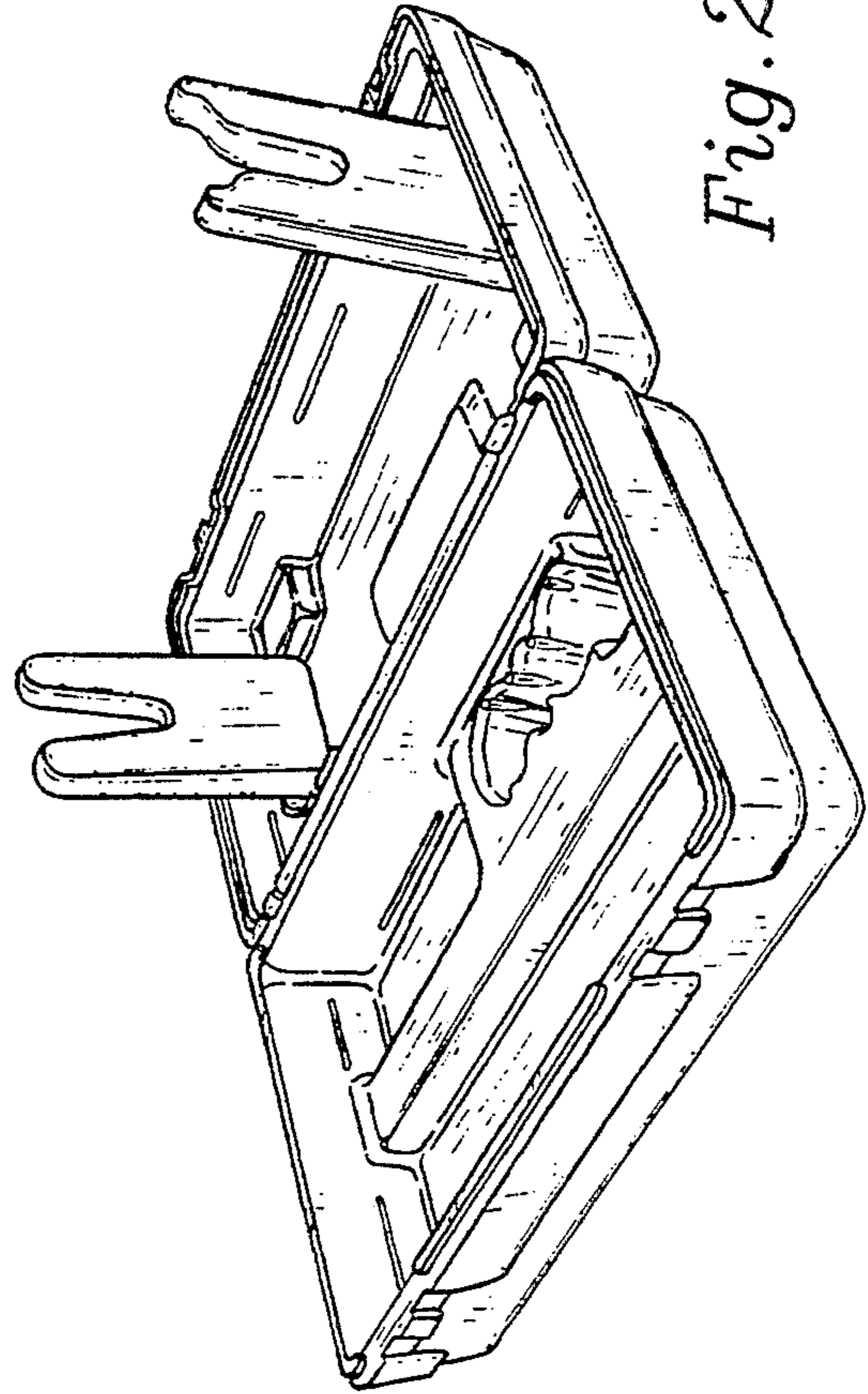


Fig. 2.

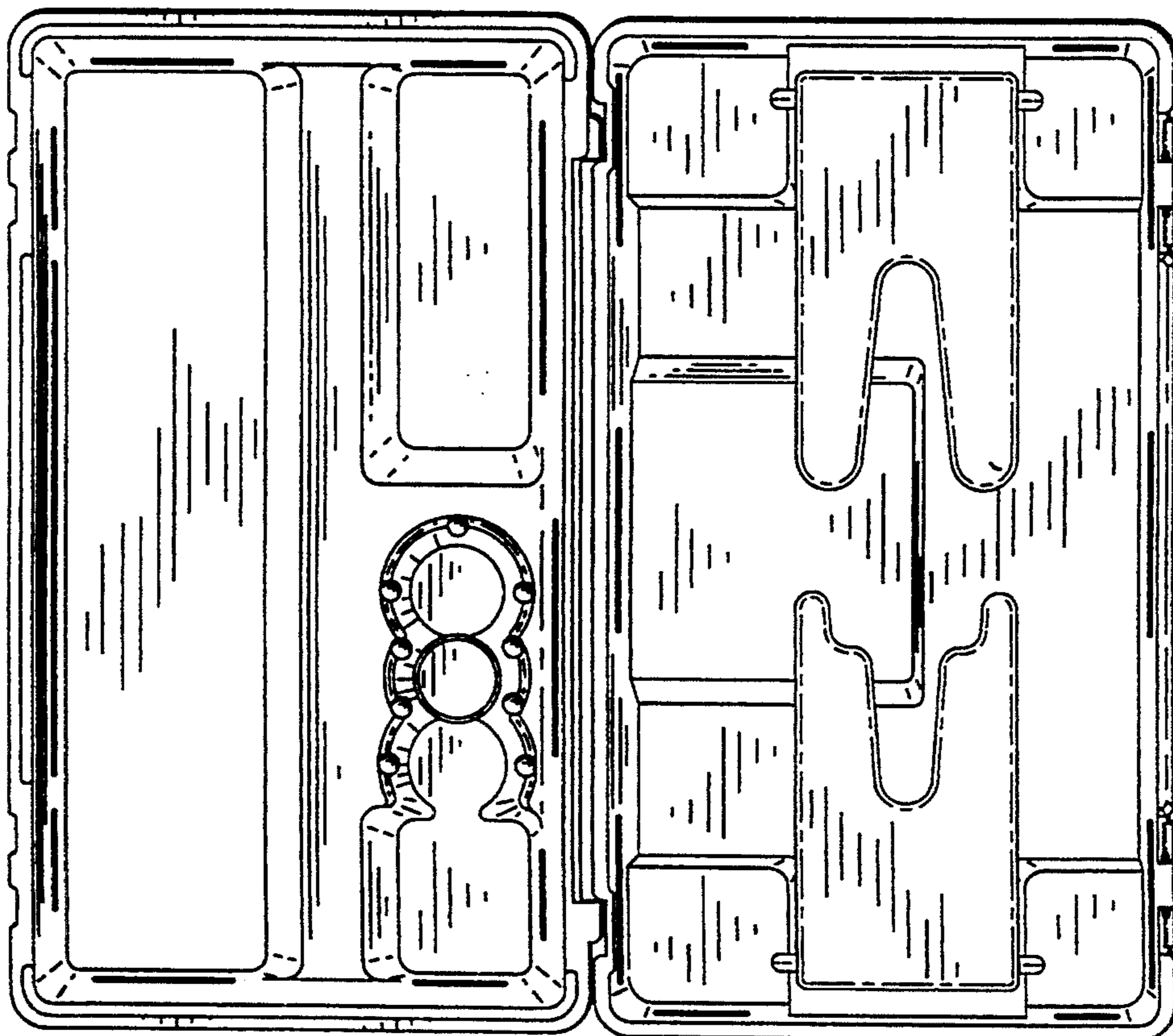


Fig. 8.

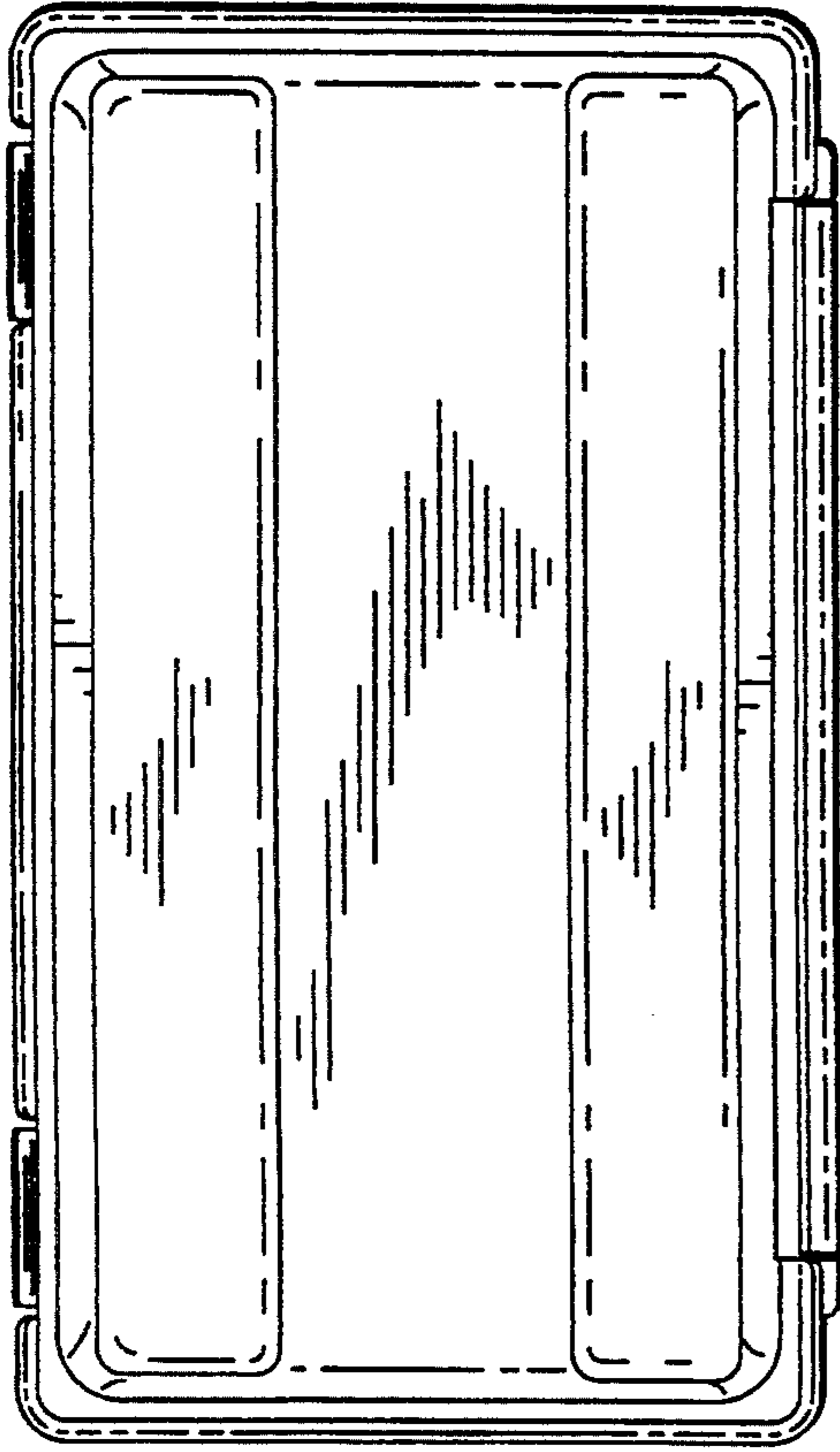


Fig. 7.

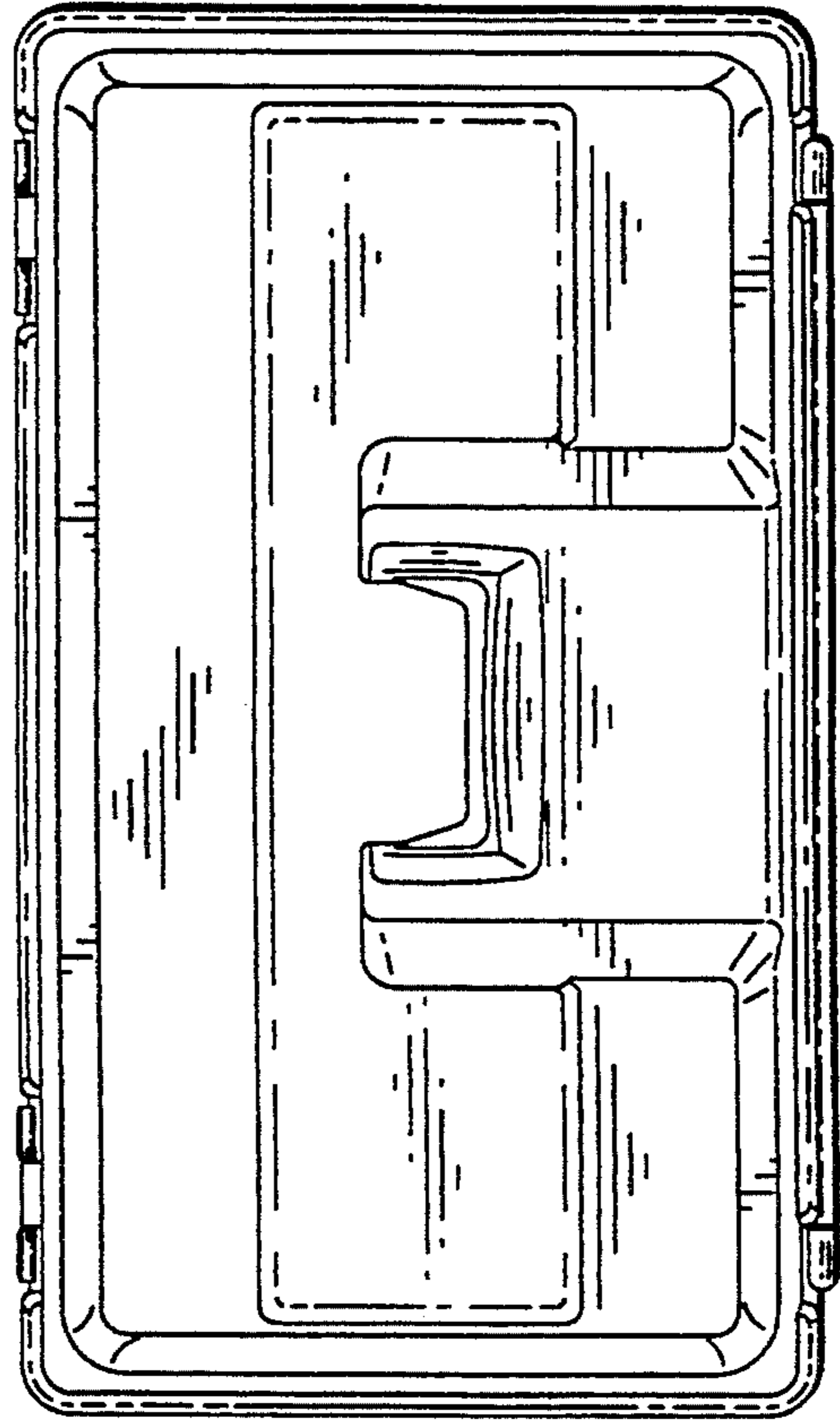


Fig. 6.

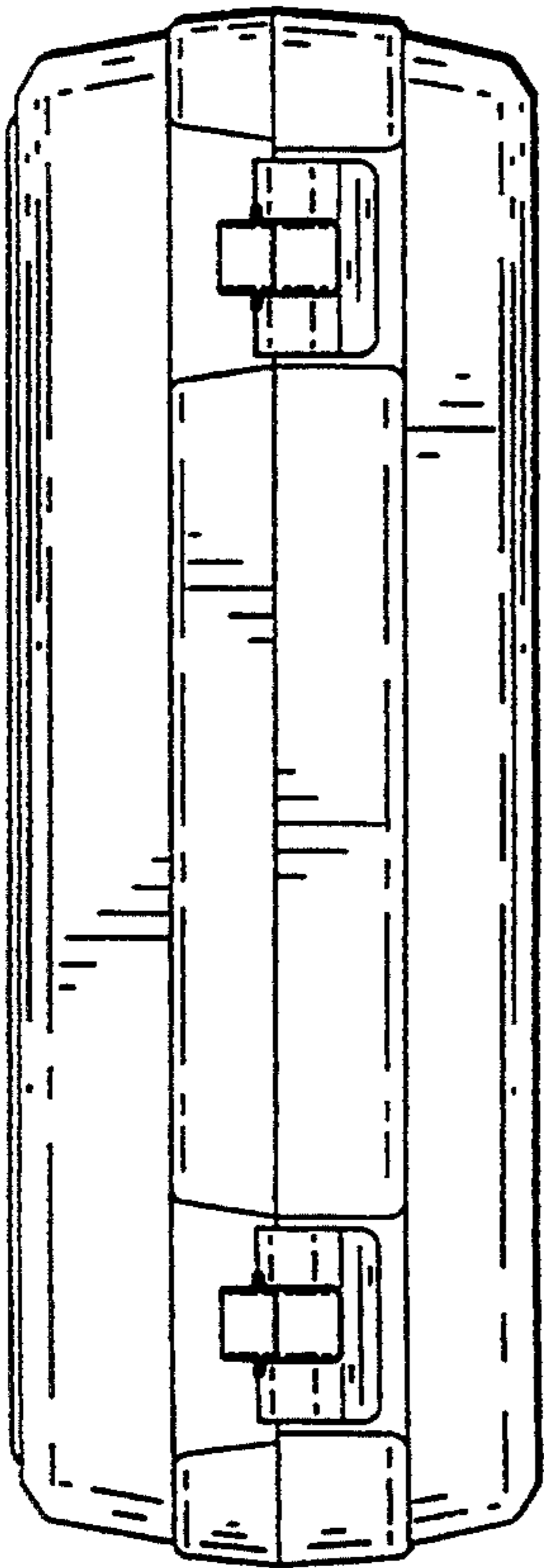


Fig. 3.

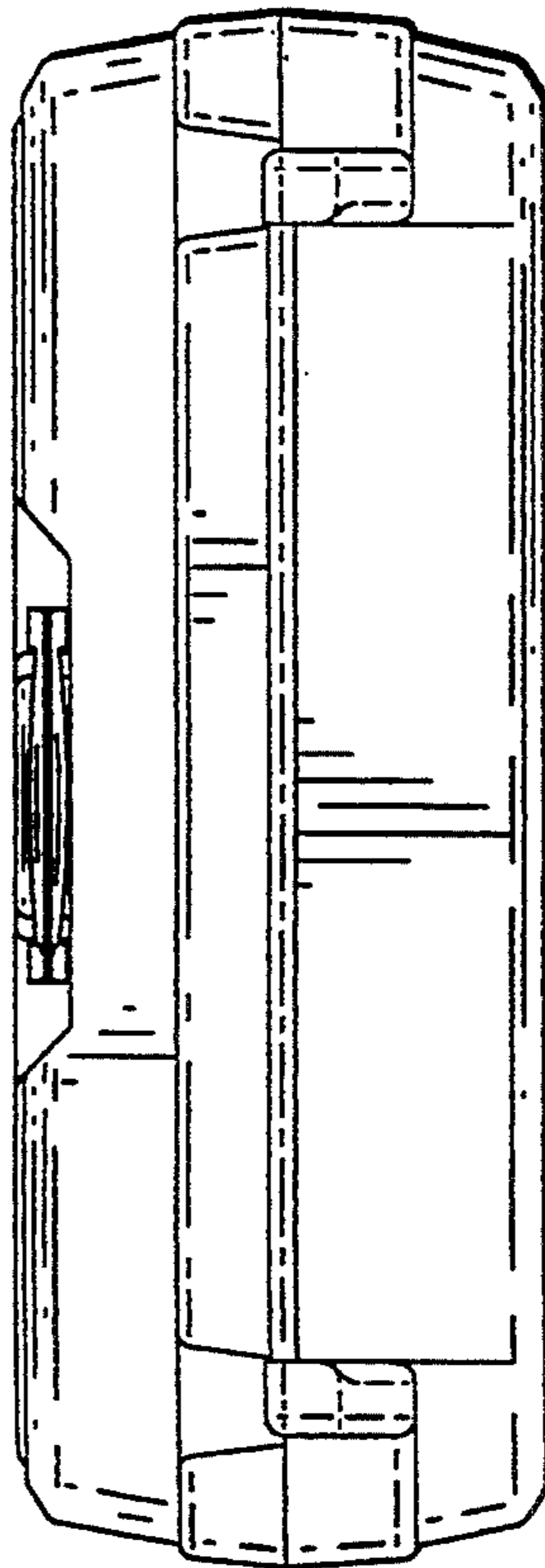


Fig. 4.

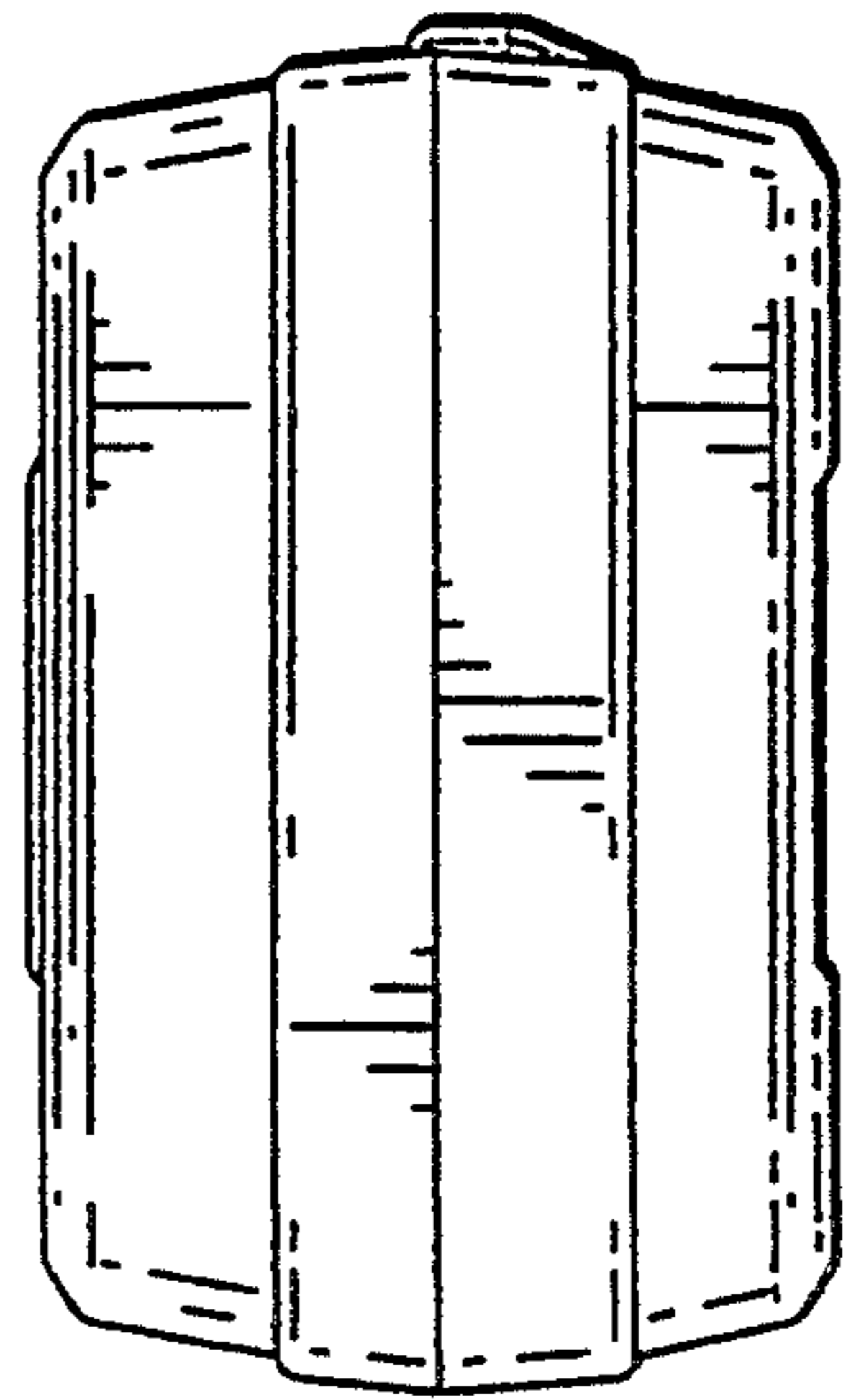


Fig. 5.