



US00D359389S

United States Patent [19]

[11] Patent Number: **Des. 359,389**

Meisner

[45] Date of Patent: ** Jun. 20, 1995

[54] SEWING TRAY

[75] Inventor: **Edward H. Meisner**, Short Hills, N.J.

[73] Assignee: **Eagle Affiliates, Inc.**, Harrison, N.J.

[**] Term: **14 Years**

[21] Appl. No.: **28,062**

[22] Filed: **Sep. 6, 1994**

[52] U.S. Cl. **D3/25**

[58] Field of Search D3/20, 25, 204, 205;
211/69, 70, 78; 223/106, 107; 206/373, 574, 58,
388, 49; D6/469; 66/1 A; 242/127; D9/419,
453

D. 308,127 5/1990 Doyel D3/20
D. 344,179 2/1994 Jacobsen D3/25
2,923,451 2/1960 Hokerk 223/107

Primary Examiner—Ralf T. Seifert
Attorney, Agent, or Firm—Caesar, Rivise, Bernstein,
Cohen & Pokotilow, Ltd.

[57] CLAIM

The ornamental design for a sewing tray, as shown and described.

DESCRIPTION

FIG. 1 is an isometric view of the sewing tray of the present invention;

FIG. 2 is a left side elevational view of the sewing tray of FIG. 1;

FIG. 3 is an enlarged top plan view of the sewing tray; FIG. 4 is an enlarged front elevational view of the sewing tray;

FIG. 5 is a bottom view of the sewing tray; and, FIG. 6 is an enlarged rear elevational view of the sewing tray.

[56]

References Cited

U.S. PATENT DOCUMENTS

D. 169,803 6/1953 Collins D3/25
D. 189,777 2/1961 Traum D3/25
D. 265,154 6/1982 Cox D6/649
D. 277,316 6/1983 Mackenzie D3/24
D. 306,183 2/1990 Ukisu D3/21

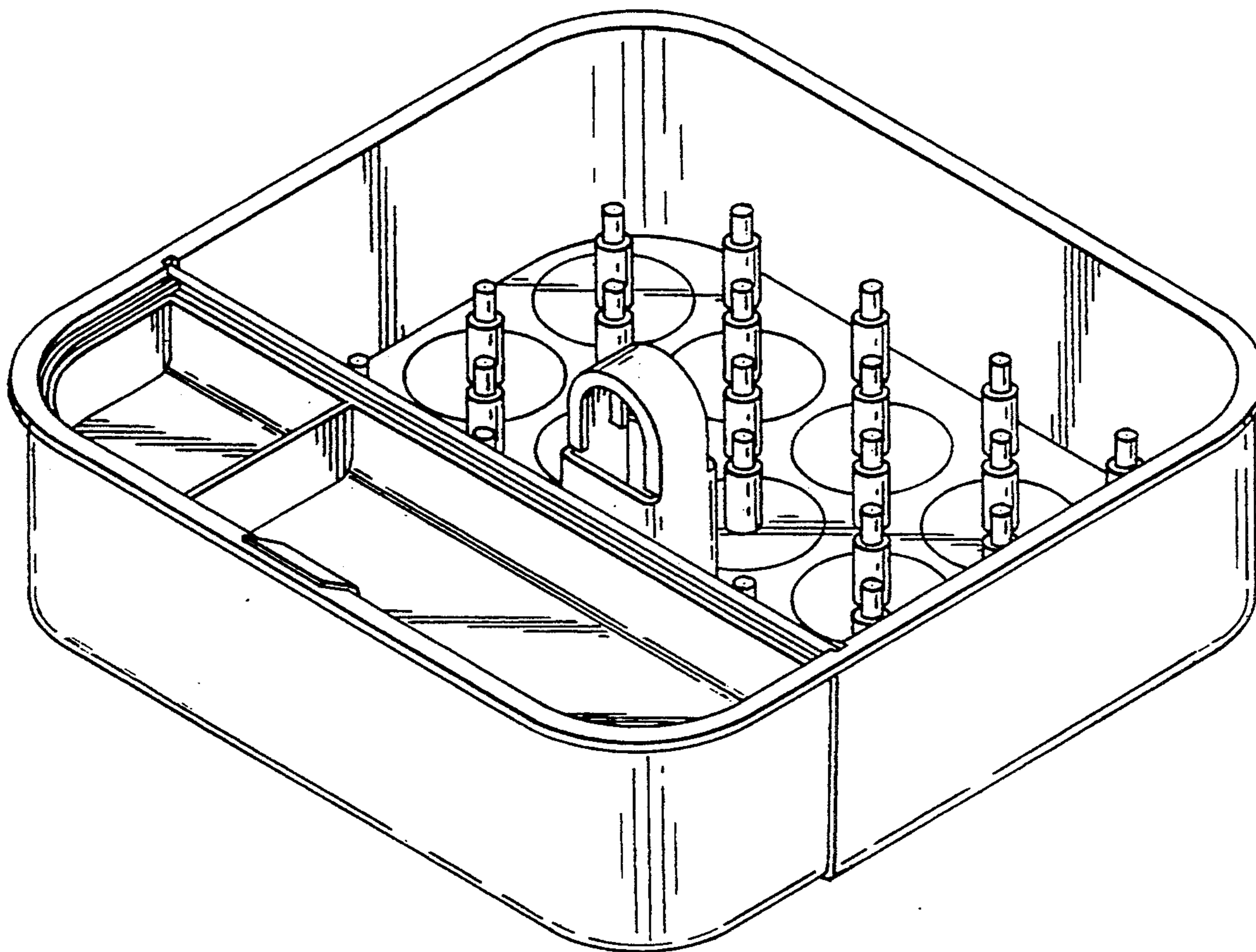


FIG. 1

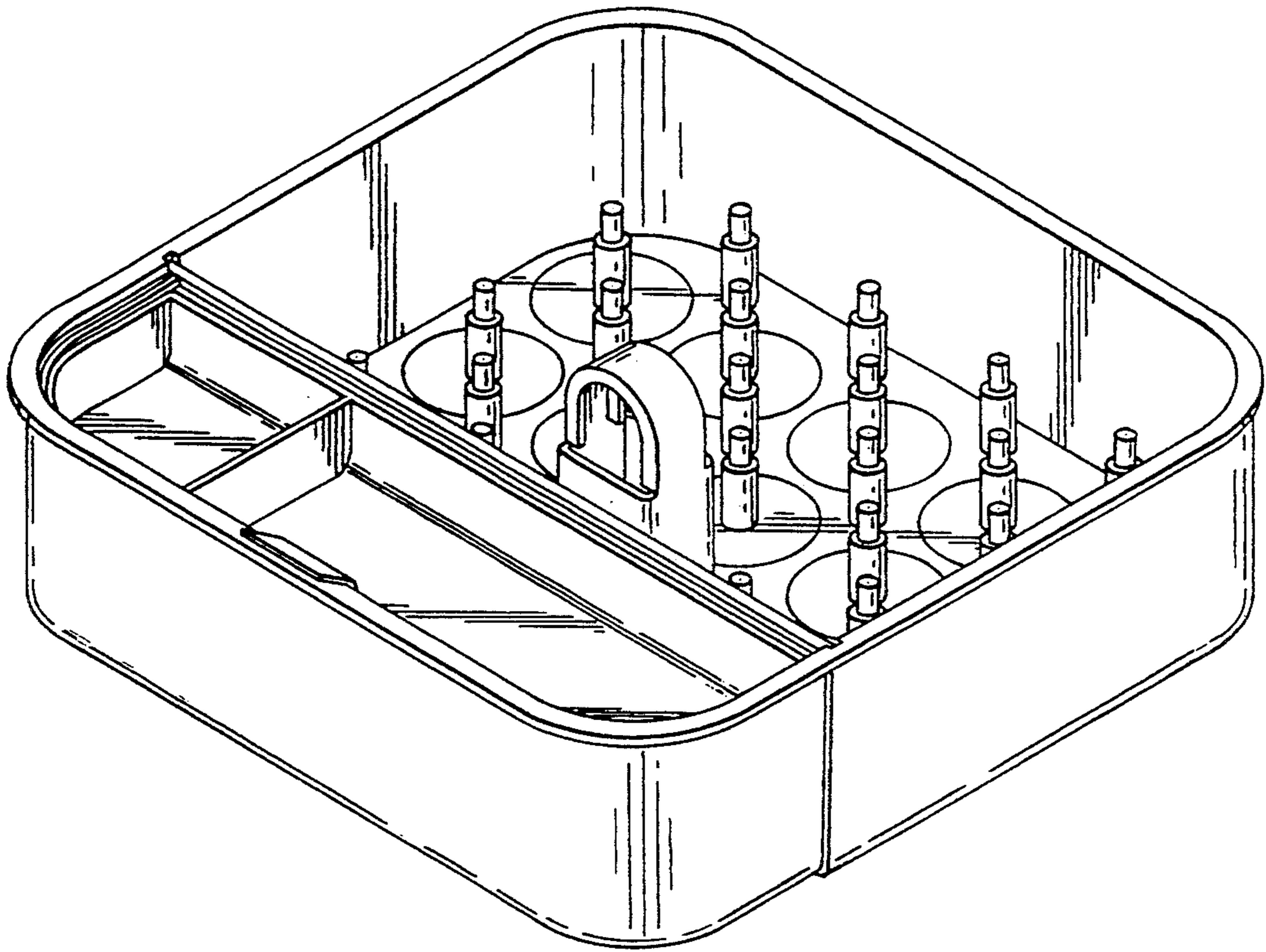


FIG. 2

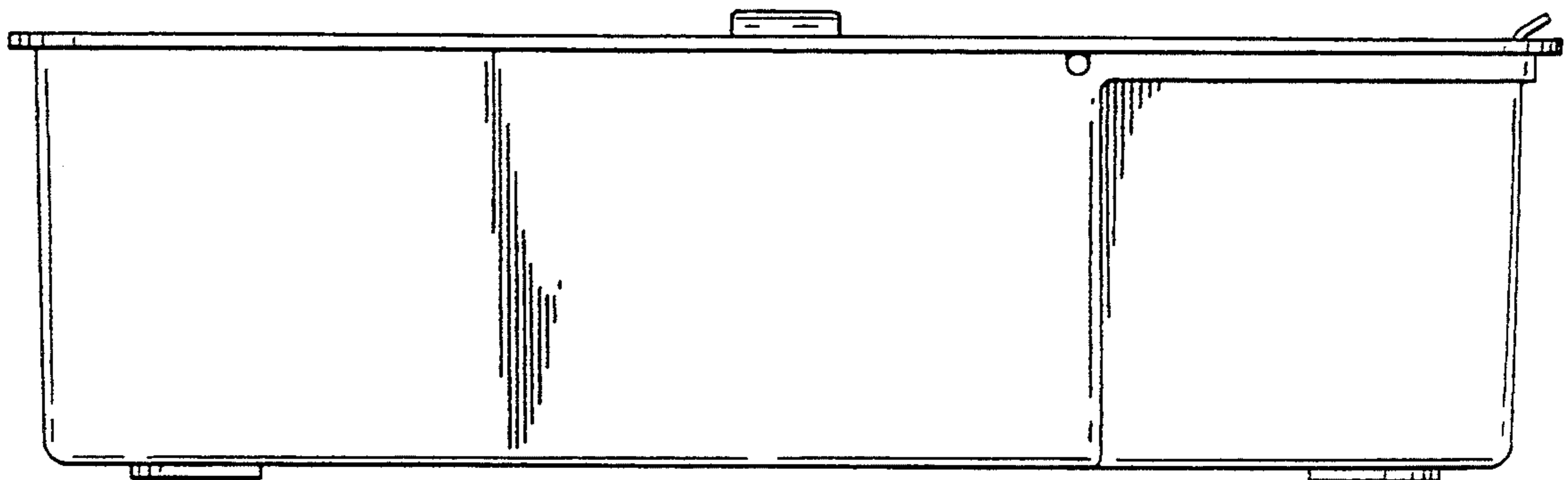


FIG. 3

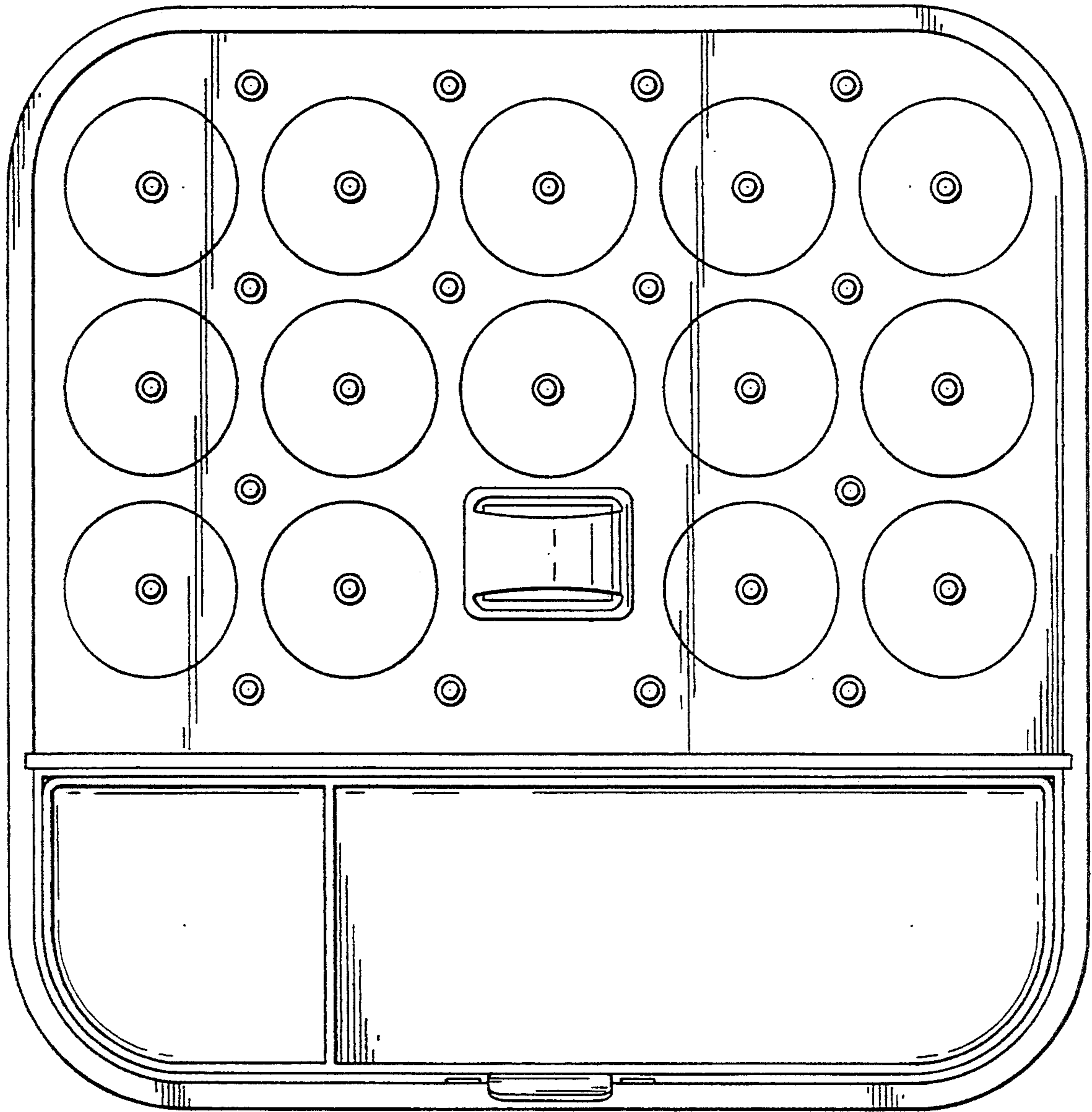


FIG. 4

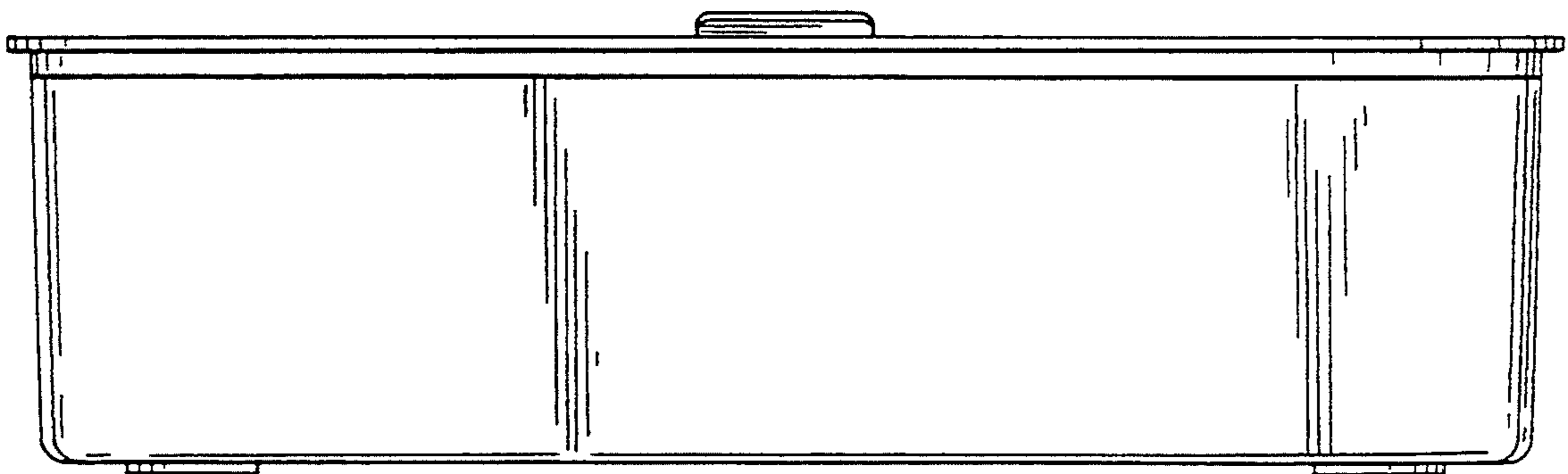


FIG. 5

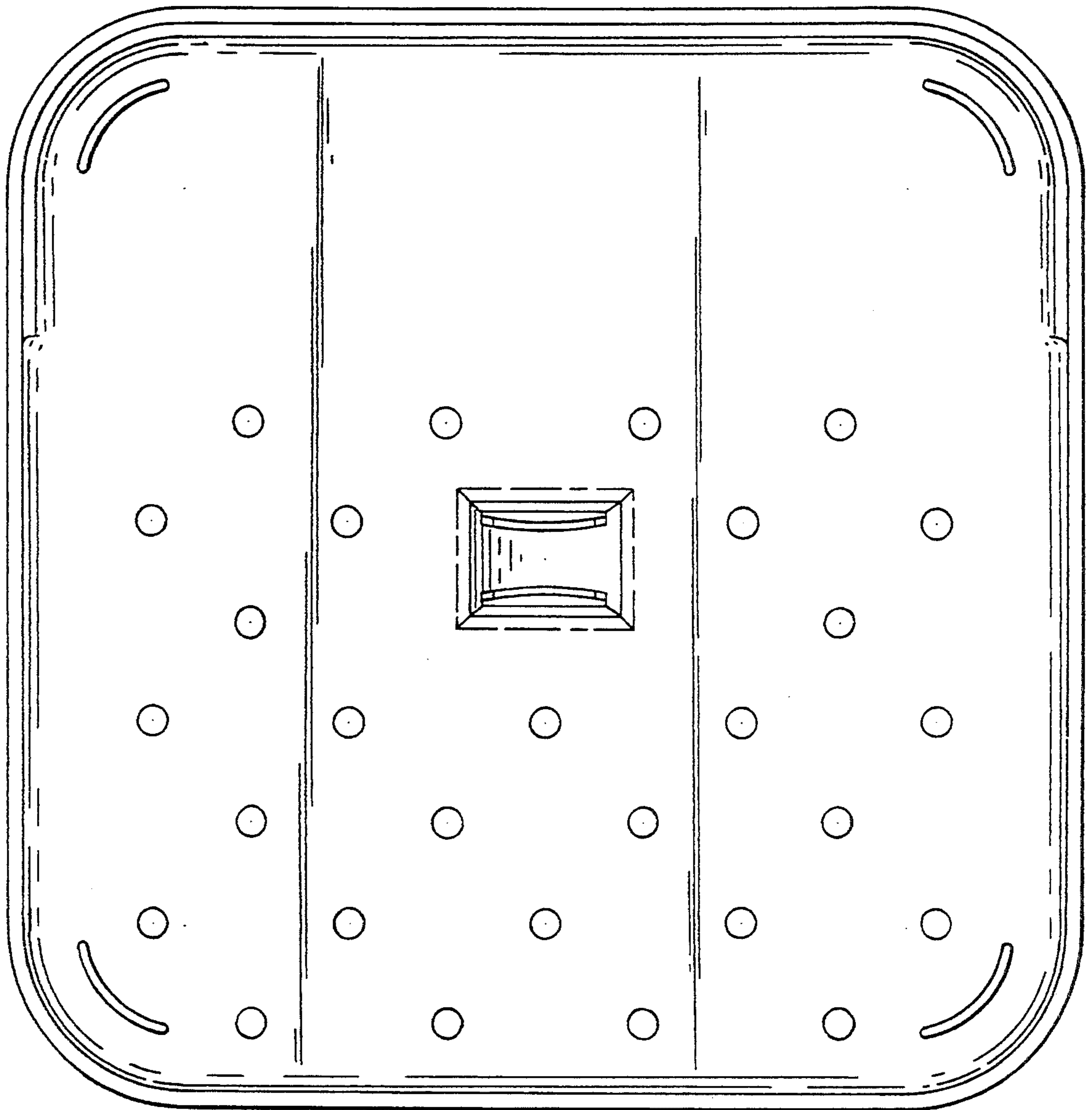


FIG. 6

