



US00D359382S

# United States Patent [19]

[11] Patent Number: **Des. 359,382**

**Wiggins**

[45] Date of Patent: **\*\* Jun. 20, 1995**

[54] **SPORTS LEGGINGS**

[56] **References Cited**

[76] Inventor: **Christopher N. Wiggins**, 8408 Giverny Cir., Sacramento, Calif. 95842

### U.S. PATENT DOCUMENTS

|            |        |                    |        |
|------------|--------|--------------------|--------|
| D. 307,505 | 5/1990 | Schiff et al. .... | D2/712 |
| D. 343,496 | 1/1994 | Spoor et al. ....  | D2/712 |
| 759,765    | 5/1904 | Stall .....        | 2/228  |
| 2,716,754  | 9/1955 | Hirsch .....       | D2/747 |
| 4,638,509  | 1/1987 | Charron .....      | D2/747 |

[\*\*] Term: **14 Years**

*Primary Examiner*—C. A. Murphy

[21] Appl. No.: **6,195**

### [57] CLAIM

The ornamental design for sports leggings, as shown and described:

[22] Filed: **Mar. 18, 1993**

### DESCRIPTION

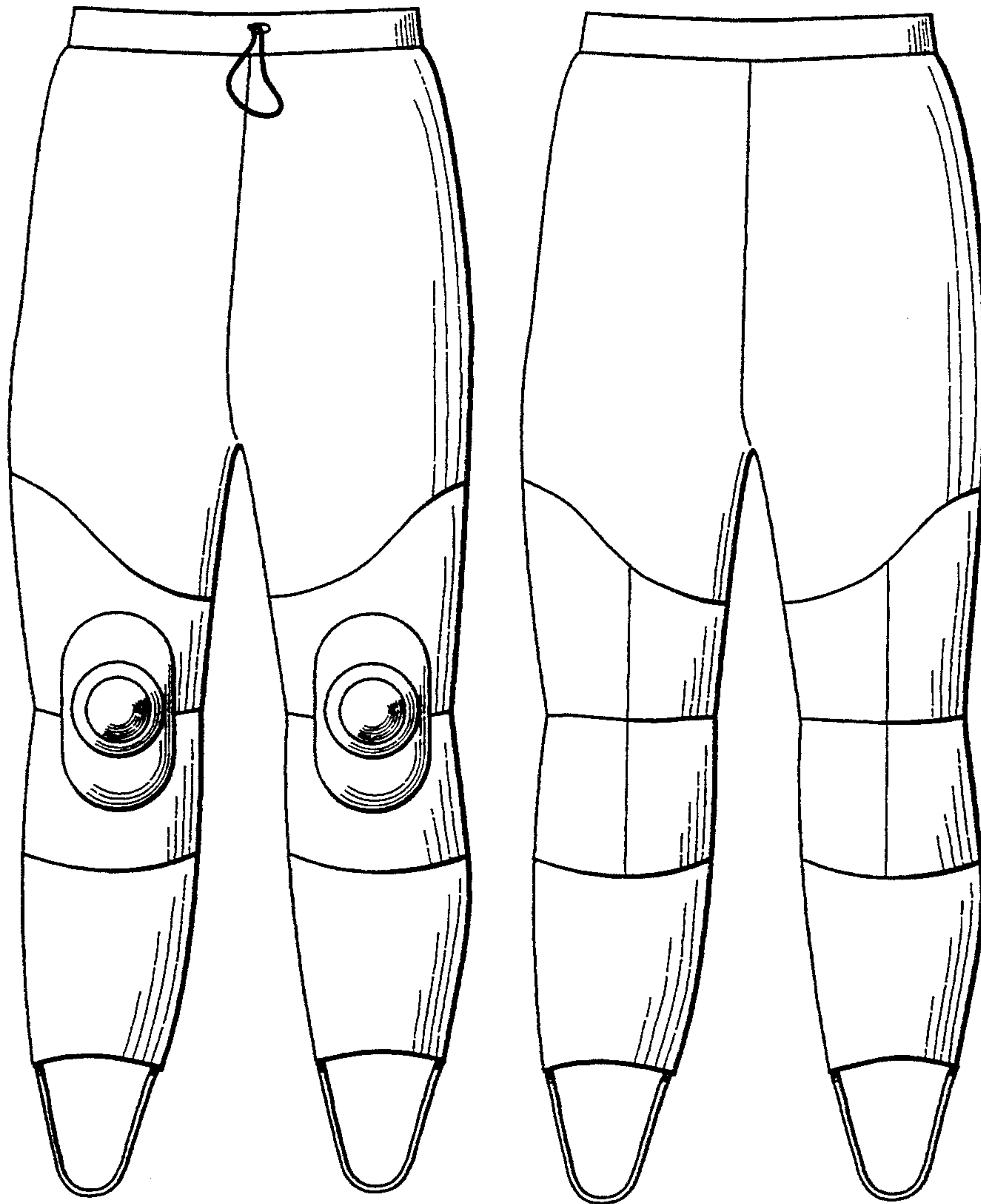
[52] U.S. Cl. .... **D2/747; D2/713; D2/742**

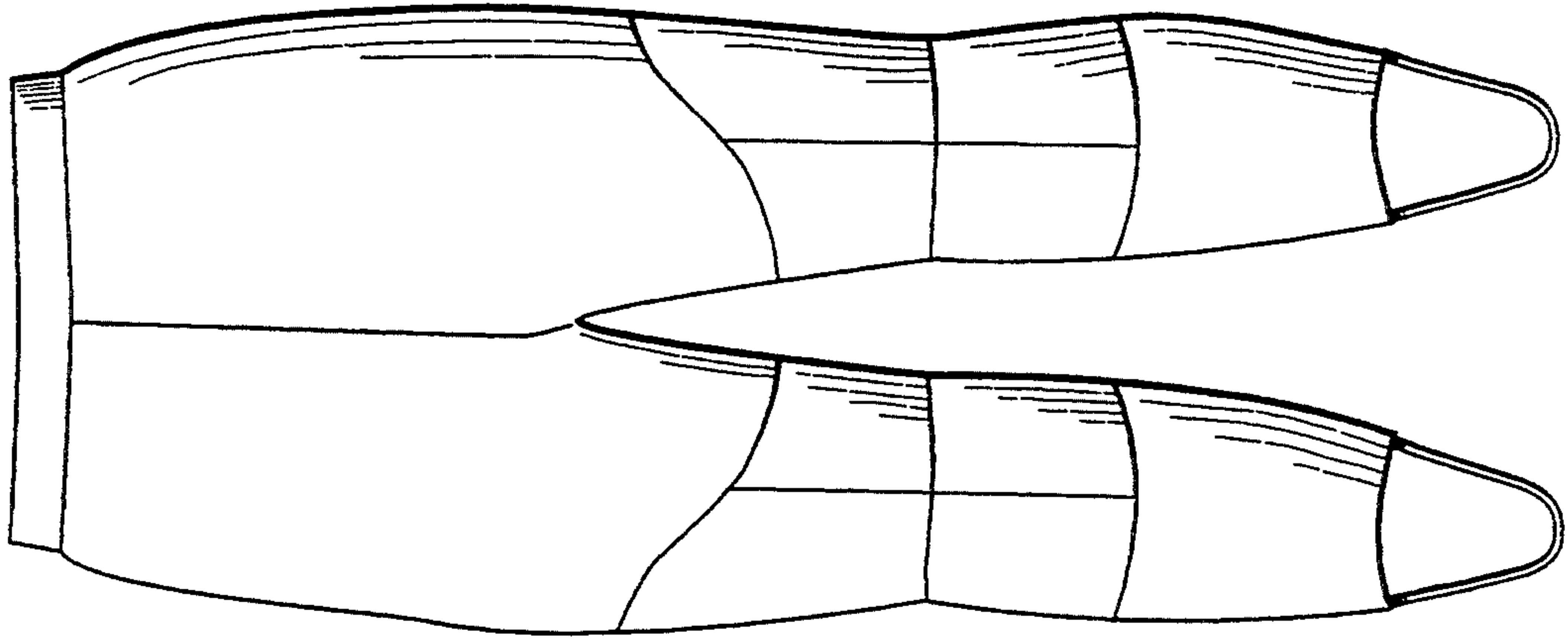
FIG. 1 is a front elevational view of sports leggings showing my new design;

[58] Field of Search ..... **D2/704-712, D2/713, 714, 715, 716, 720, 739, 742, 743, 744, 747; 2/401-404, 227, 228, 238**

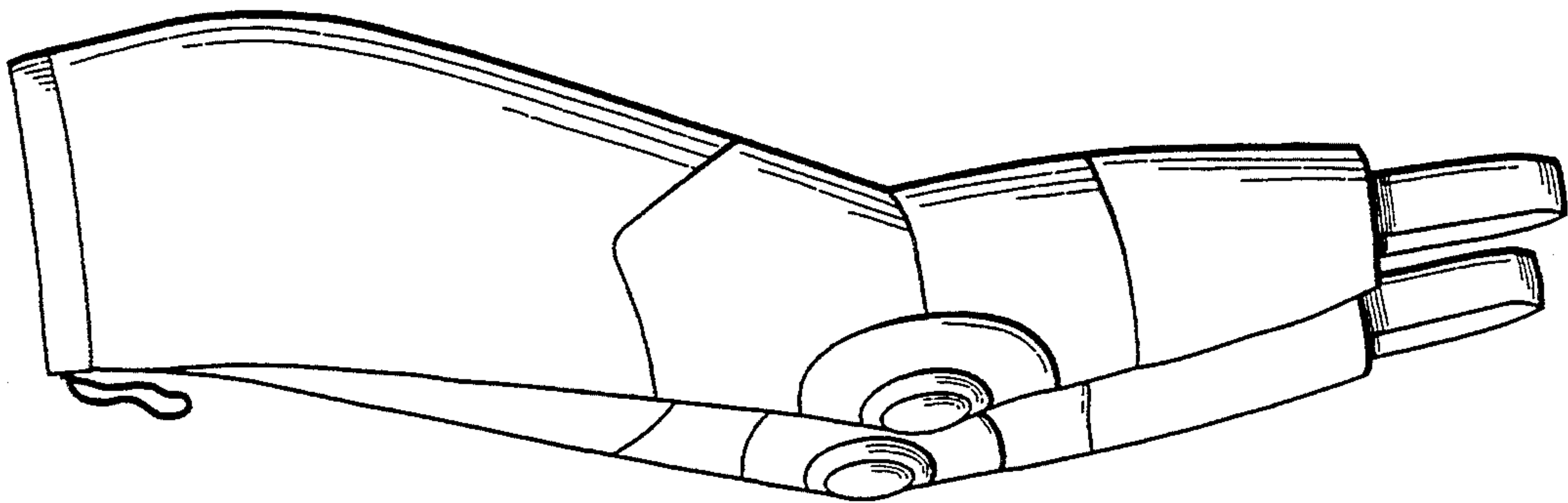
FIG. 2 is a right perspective view thereof, the undisclosed features on the left side being mirror images of the side shown; and,

FIG. 3 is a rear elevational view thereof.

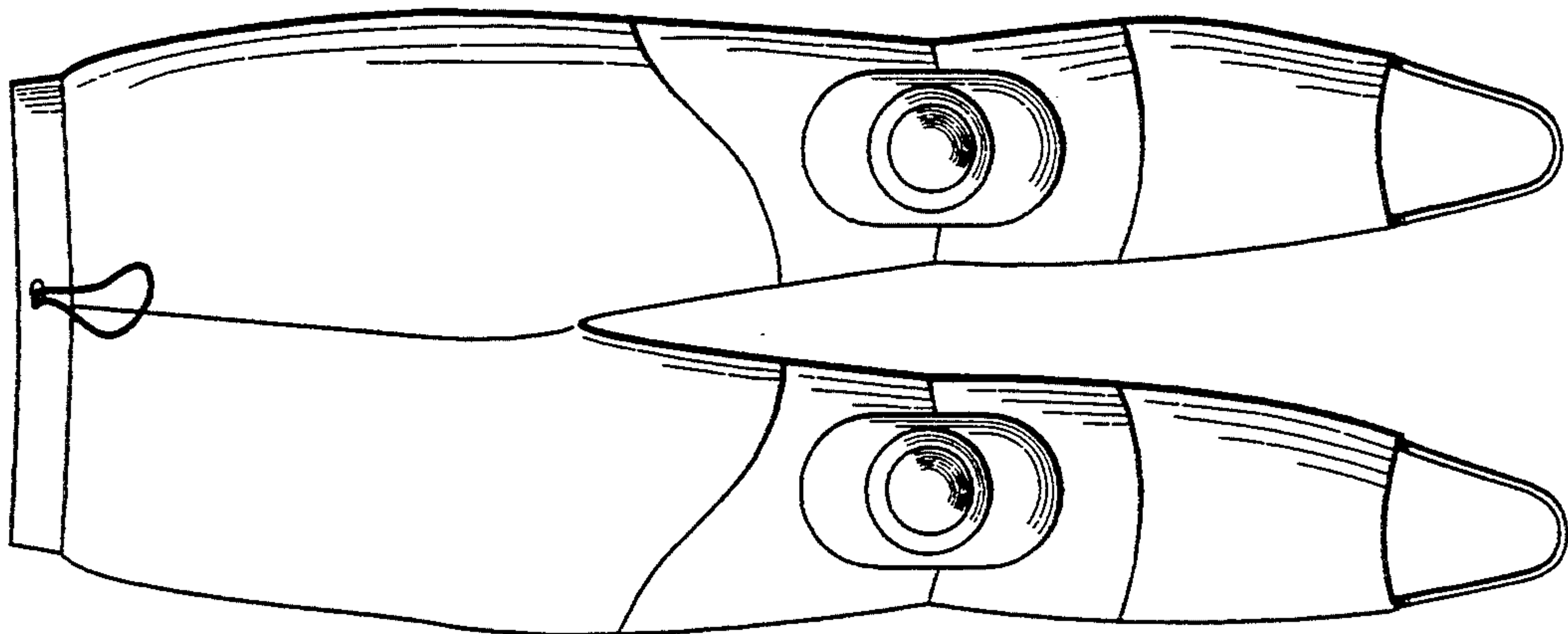




*Fig. 3*



*Fig. 2*



*Fig. 1*