



US00D359379S

# United States Patent [19]

Haviland

[11] Patent Number: **Des. 359,379**

[45] Date of Patent: **\*\* Jun. 13, 1995**

[54] **ADJUSTABLE AND EXTENDABLE  
LANTERN HANGER**

[76] Inventor: **Cory G. Haviland**, 540 S. 100 East  
Apt. #8, Brigham City, Utah 84302

[\*\*] Term: **14 Years**

[21] Appl. No.: **18,296**

[22] Filed: **Feb. 3, 1994**

[52] U.S. Cl. .... **D26/140; D8/363;  
D8/373**

[58] Field of Search ..... **D26/138, 140; 248/274,  
248/276, 295, 297.2, 289.1, 286; D8/363, 373;  
362/427, 418**

[56] **References Cited**

**U.S. PATENT DOCUMENTS**

D. 259,228	5/1981	Fabian	.....	D8/373	X
D. 324,784	3/1992	Rose	.....	D8/363	X
462,265	11/1891	Mason	.....	248/274	X

1,793,457	2/1931	Adams	.....	248/276
2,877,687	3/1959	Bozin	.....	248/274 X
3,891,173	6/1975	Ellis et al.	.....	248/286 X
3,969,620	7/1976	Brooks	.....	248/309.1 X

*Primary Examiner*—Susan J. Lucas  
*Attorney, Agent, or Firm*—Terry M. Gernstein

[57] **CLAIM**

The ornamental design for an adjustable and extendable lantern hanger, as shown and described.

**DESCRIPTION**

FIG. 1 is a front, top and side perspective view of the adjustable and extendable lantern hanger showing my new design;

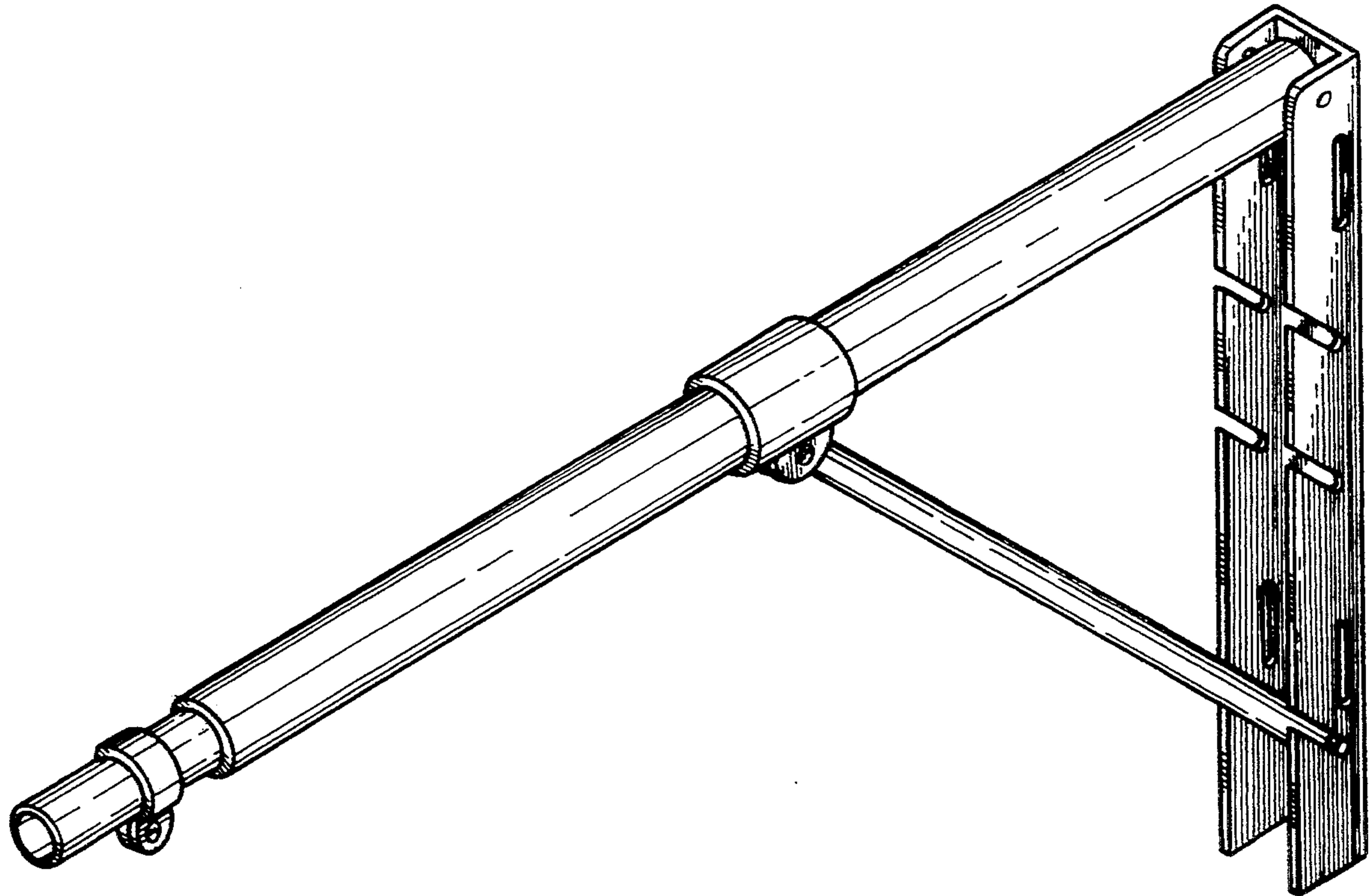
FIG. 2 is a front elevational view thereof, the rear being a mirror image of the front shown in FIG. 2;

FIG. 3 is a top plan view thereof;

FIG. 4 is a bottom plan view thereof;

FIG. 5 is a side elevational view thereof; and,

FIG. 6 is an opposite side elevational view thereof.



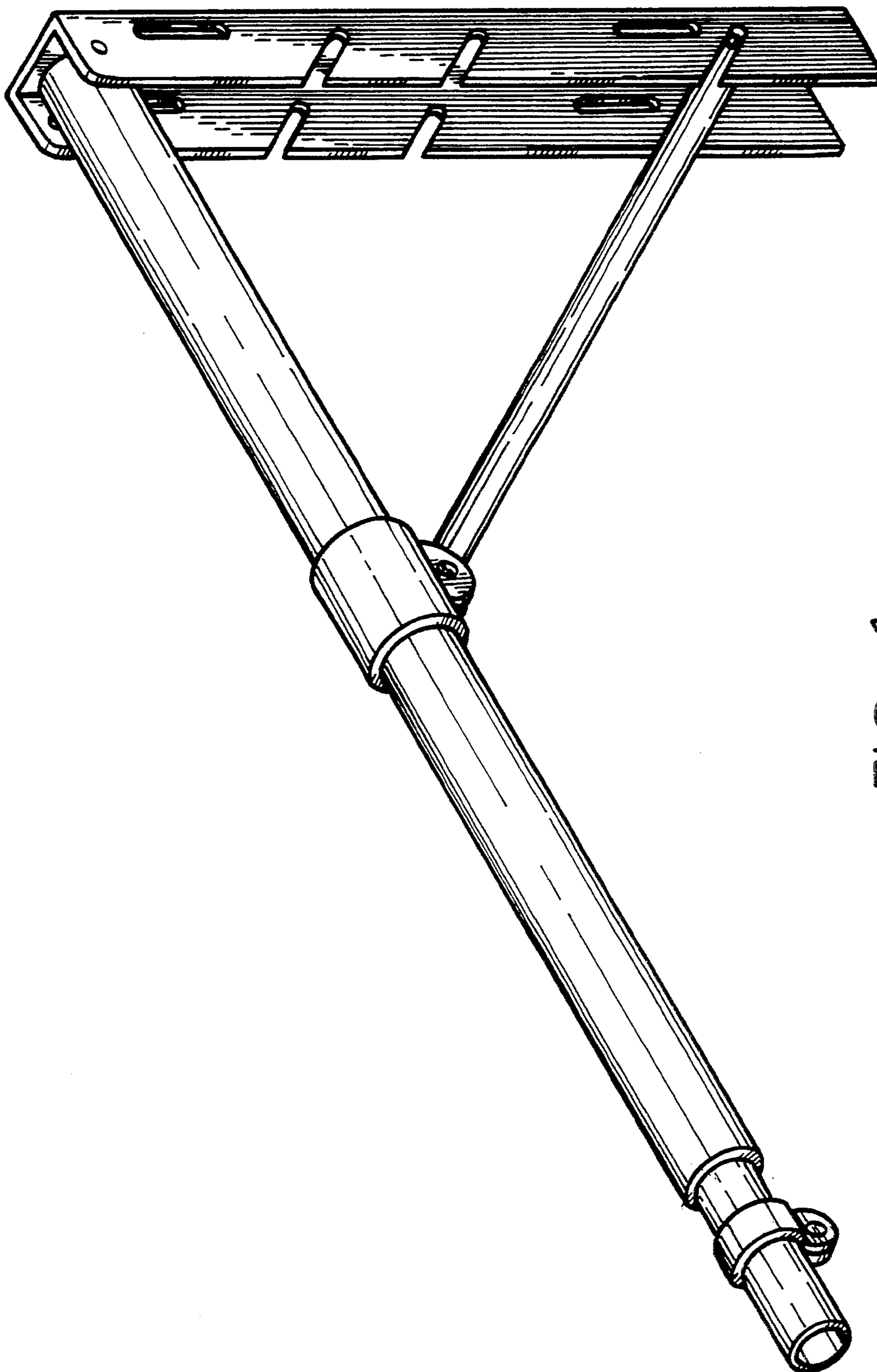


FIG. 1

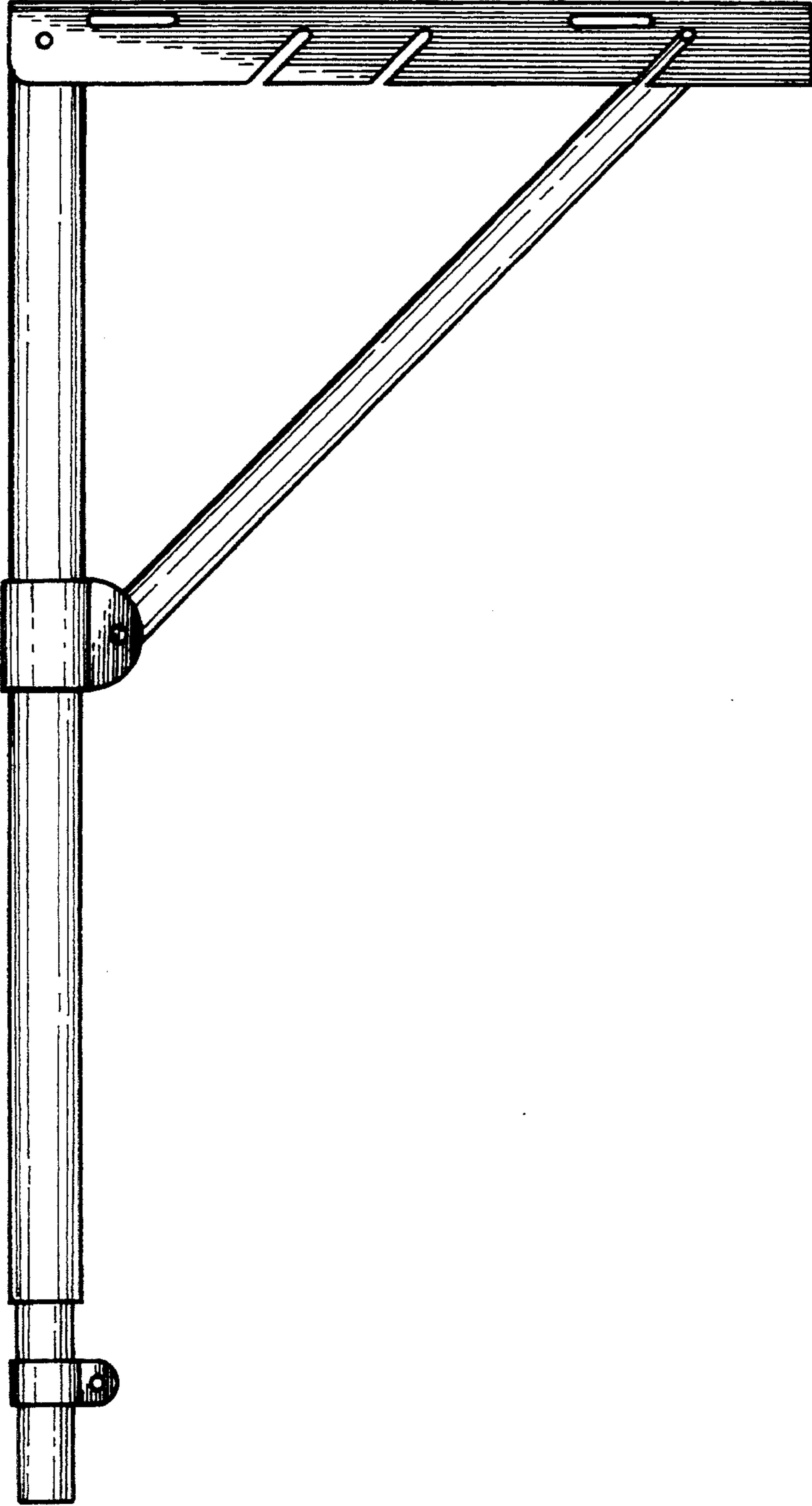


FIG. 2

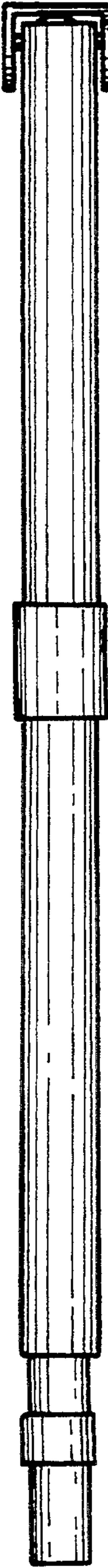


FIG. 3

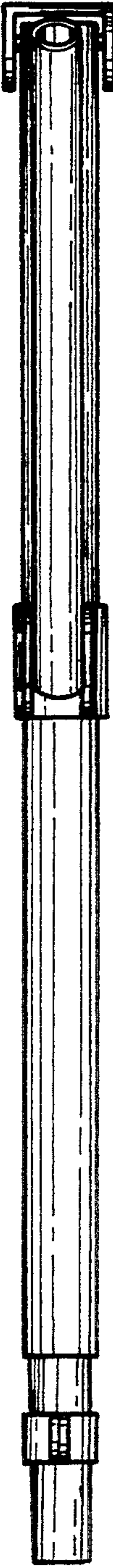


FIG. 4

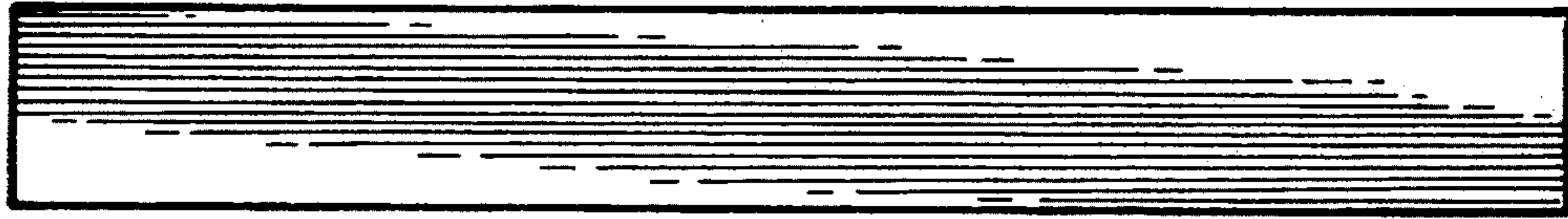


FIG. 6

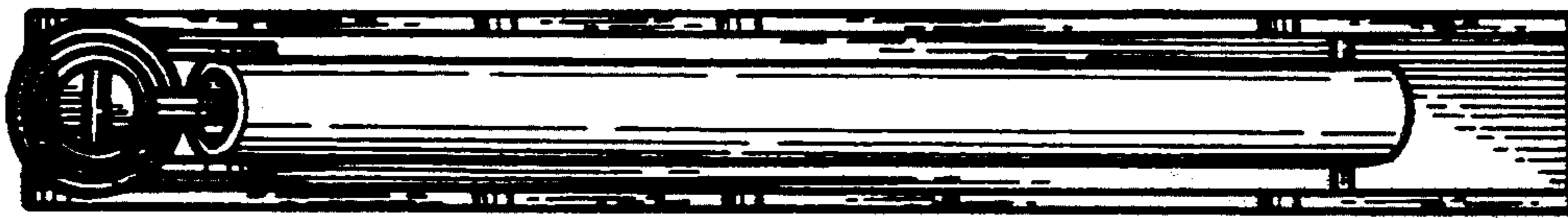


FIG. 5