



US00D359376S

United States Patent [19]

[11] Patent Number: **Des. 359,376**

Tsuji

[45] Date of Patent: **** Jun. 13, 1995**

[54] **LIGHT FIXTURE FOR USE WITH A CEILING FAN**

4,541,038 9/1985 Van Noord 362/351 X
4,685,038 8/1987 Huang 362/147 X

[75] Inventor: **Masao Tsuji**, Germantown, Tenn.

Primary Examiner—Susan J. Lucas
Attorney, Agent, or Firm—Baker, Donelson, Bearman & Caldwell

[73] Assignee: **Hunter Fan Company**, Memphis, Tenn.

[**] Term: **14 Years**

[57] CLAIM

The ornamental design for a light fixture for use with a ceiling fan, as shown and described.

[21] Appl. No.: **14,666**

[22] Filed: **Oct. 27, 1993**

DESCRIPTION

[52] U.S. Cl. **D26/91**

FIG. 1 is a bottom, side perspective view of a light fixture for use with a ceiling fan, showing my new design;

[58] Field of Search **D26/128-136, D26/72, 80-92; 362/147, 404, 405, 406, 407, 408, 351, 353, 355, 367**

FIG. 2 is a side elevational view thereof, the remaining side views being the same;

FIG. 3 is a top plan view of thereof on a reduced scale; and,

FIG. 4 is a bottom plan view of thereof on a reduced scale.

[56] References Cited

U.S. PATENT DOCUMENTS

| | | | | |
|------------|---------|--------|-------|---------|
| D. 80,088 | 12/1929 | Plant | | D26/91 |
| D. 206,178 | 11/1966 | Eckert | | D26/81 |
| D. 251,871 | 5/1979 | Horn | | D26/91 |
| D. 339,653 | 9/1993 | Porter | | D26/130 |

The broken lines are shown for illustrative purposes only.

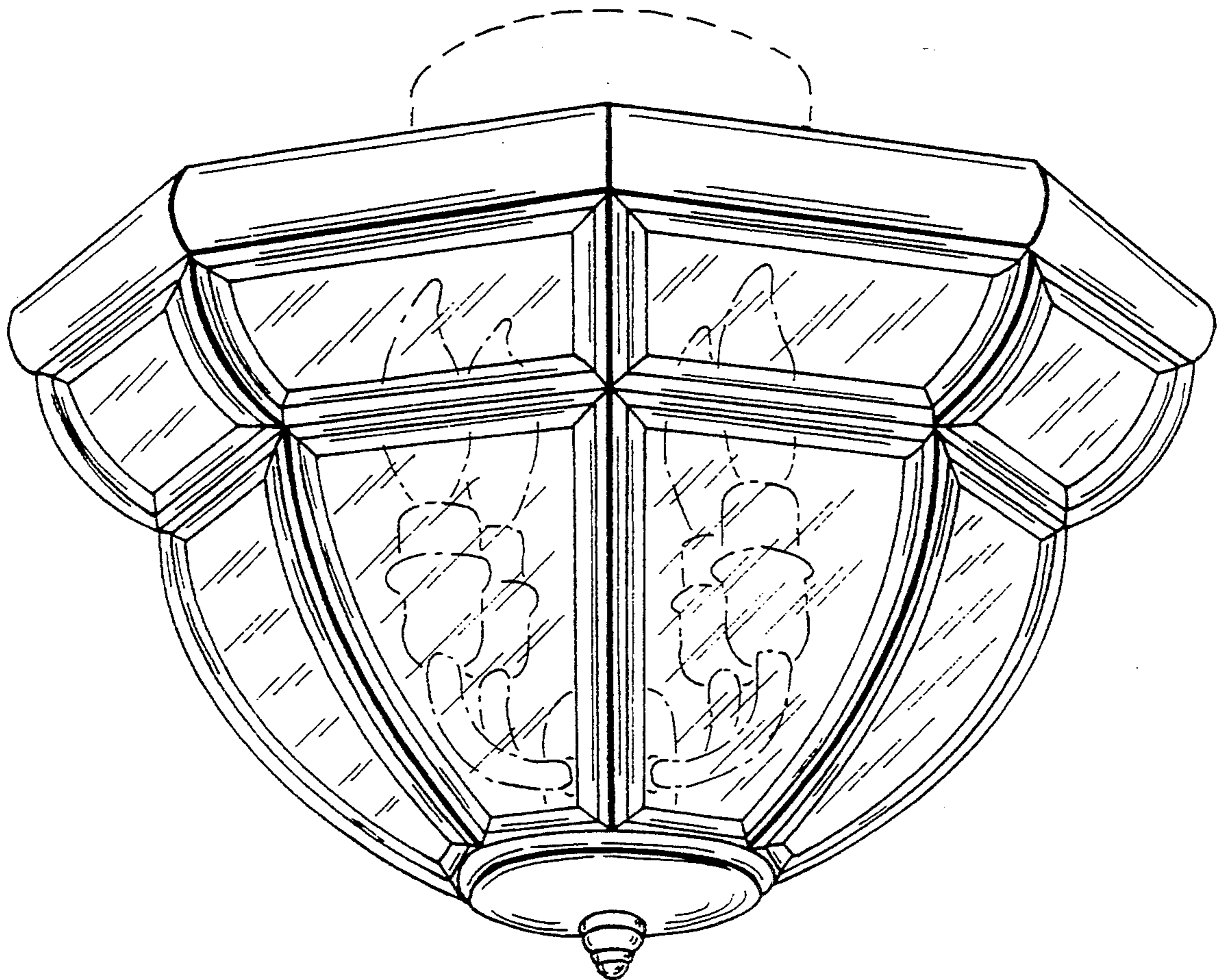


FIG. 1

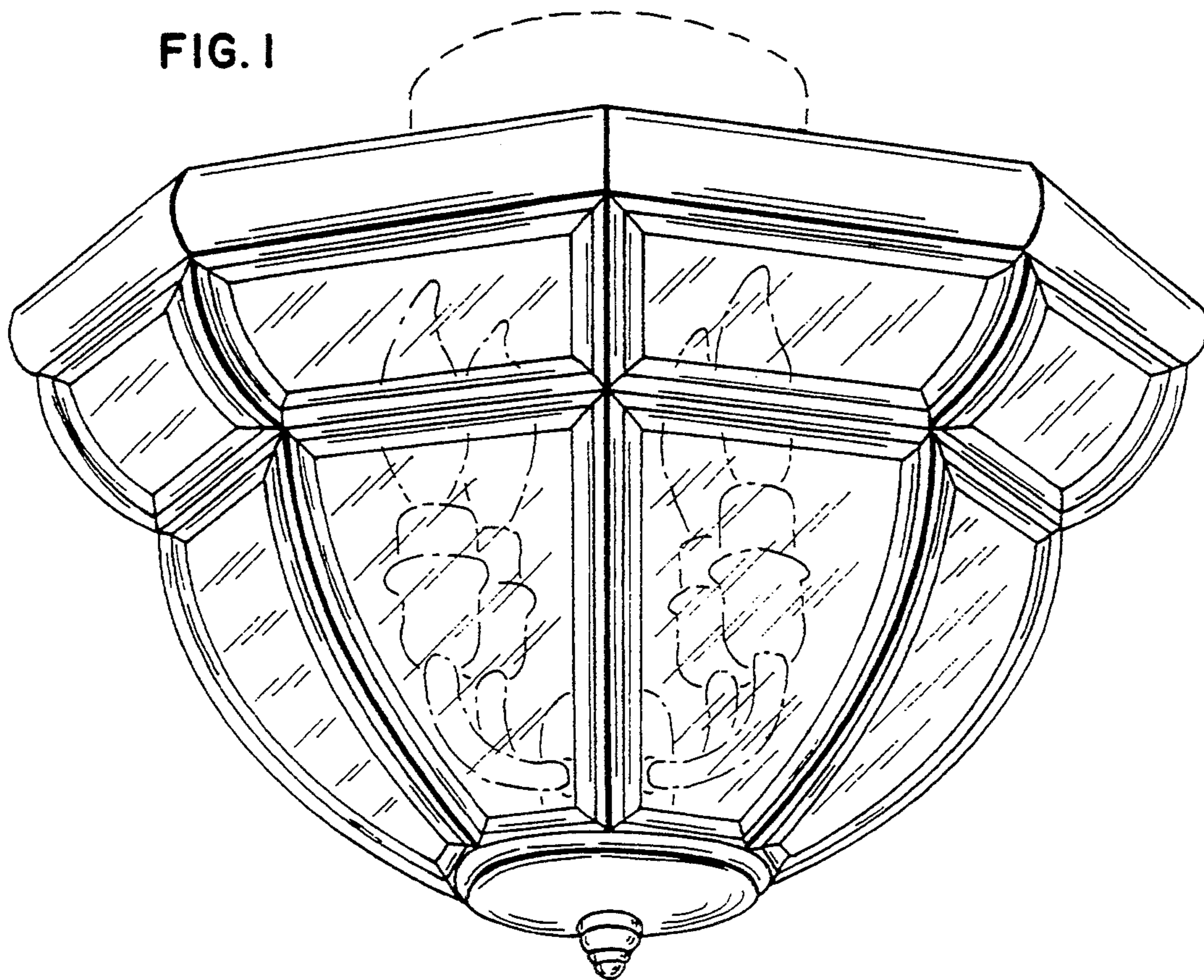


FIG. 2

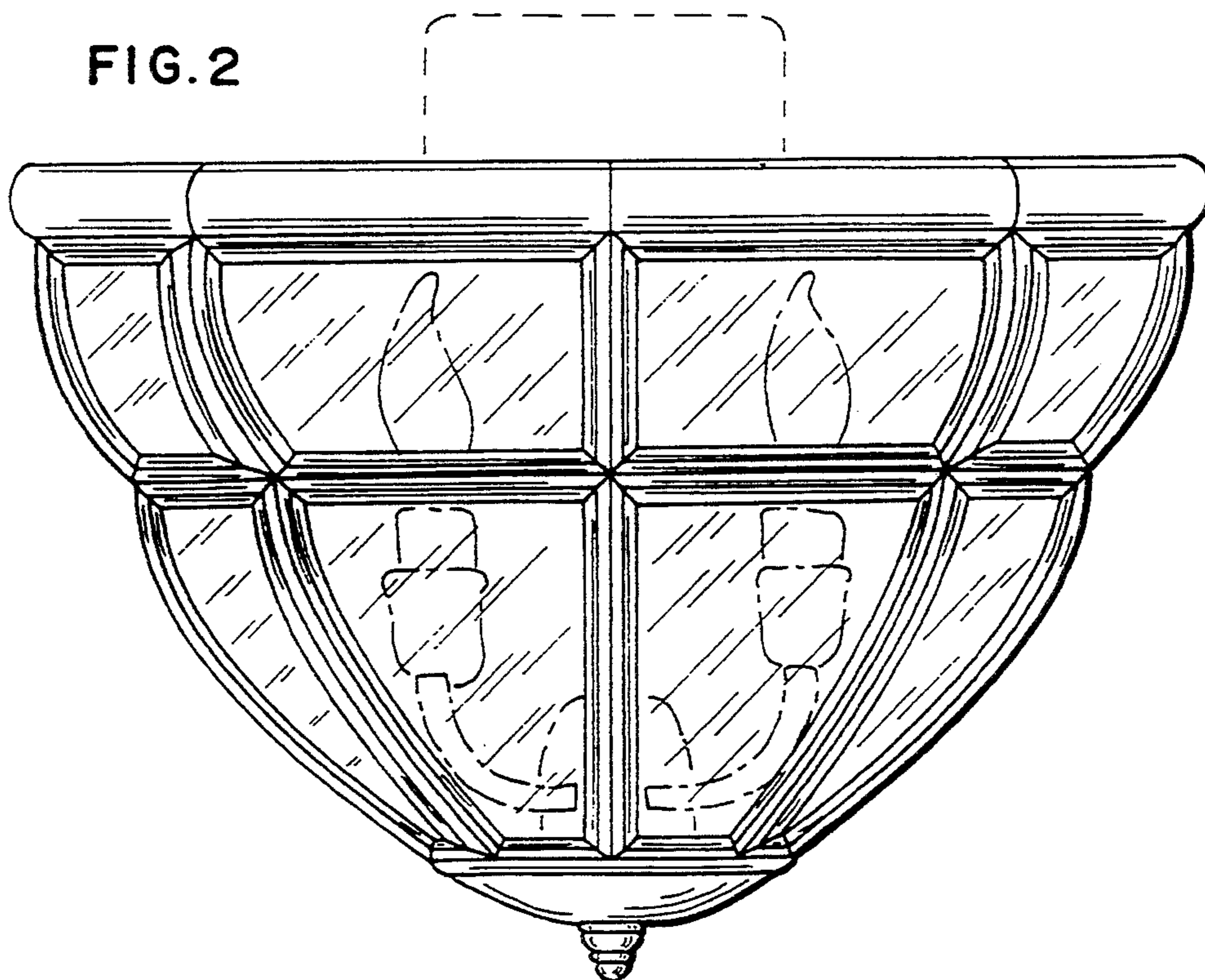


FIG. 3

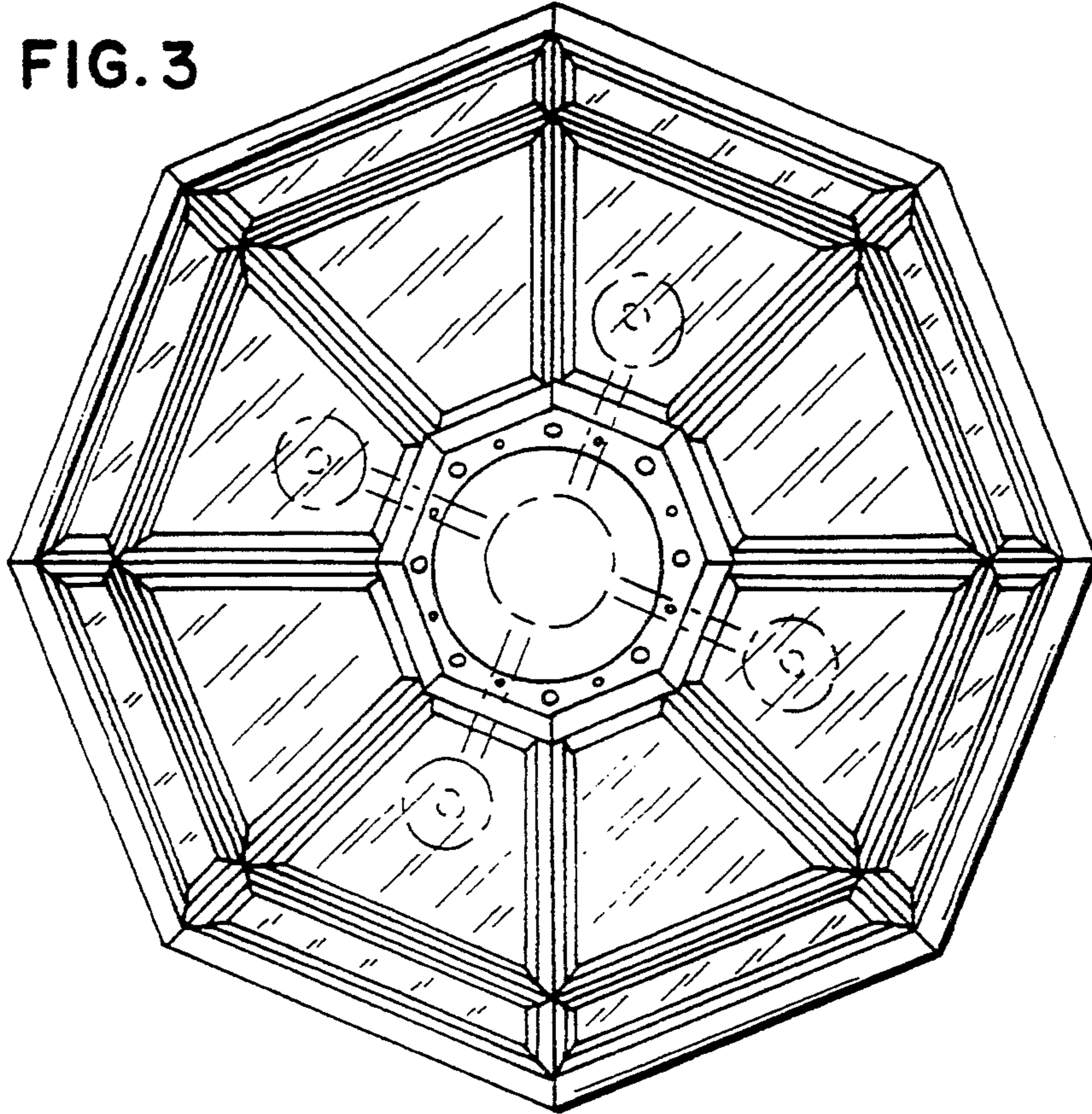


FIG. 4

