



US00D359372S

United States Patent [19]

[11] Patent Number: **Des. 359,372**

Davies

[45] Date of Patent: **** Jun. 13, 1995**

[54] **HORIZONTAL STAGELIGHT**

[76] Inventor: **Charles J. Davies**, 5051 E. Slauson Ave., Los Angeles, Calif. 90040

[**] Term: **14 Years**

[21] Appl. No.: **15,134**

[22] Filed: **Nov. 9, 1993**

[52] U.S. Cl. **D26/63**

[58] Field of Search **D26/60, 61, 63, 65; 362/147, 240, 269, 271, 275, 418, 419, 427, 249, 250, 235, 227**

[56] **References Cited**

U.S. PATENT DOCUMENTS

D. 259,813	7/1981	Downing	D26/24
1,239,672	9/1917	Dahl	362/235 X
1,261,464	4/1918	Wagner	362/249
4,323,953	4/1982	Hutchinson	D26/61 X

Primary Examiner—Susan J. Lucas

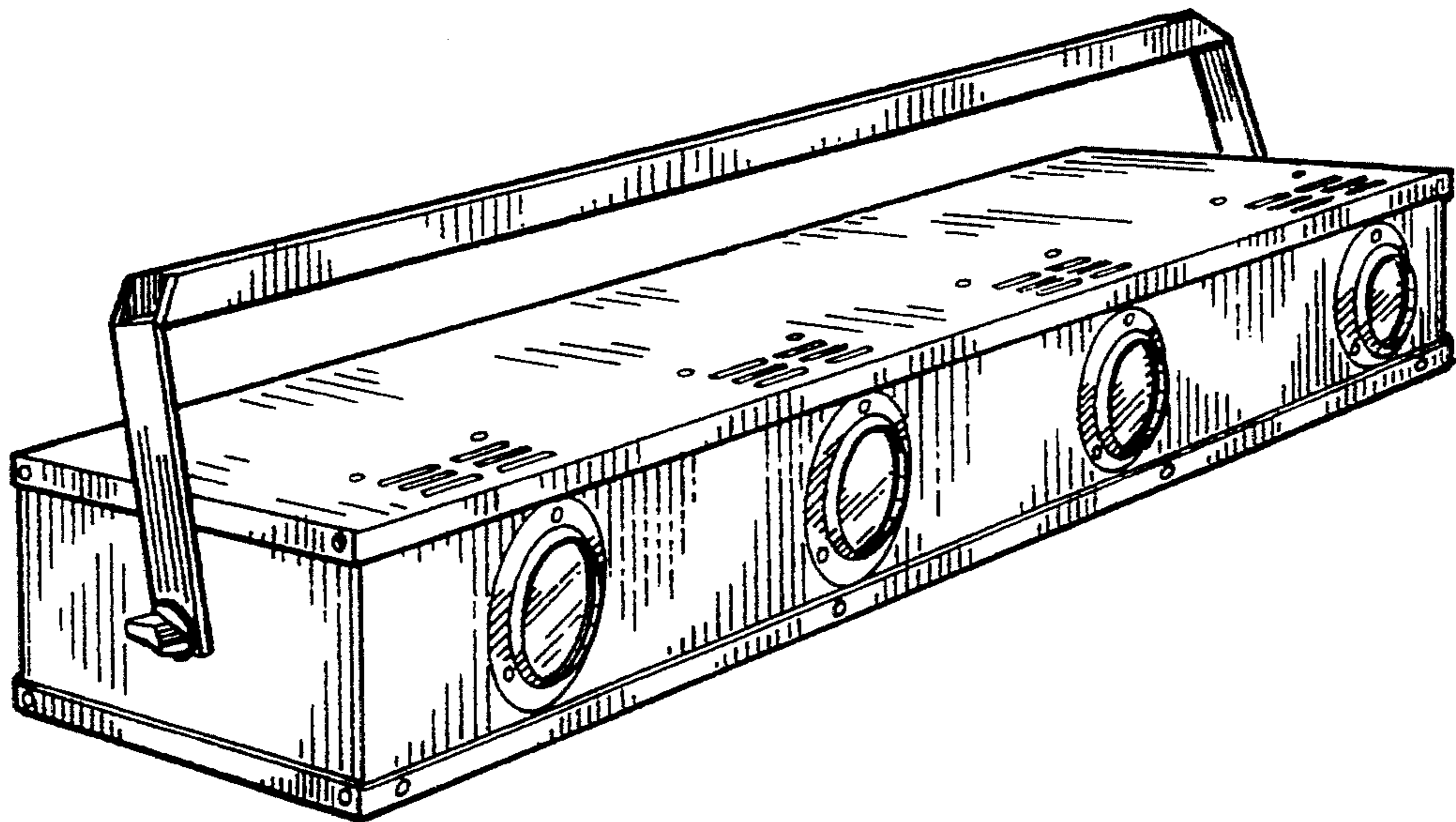
Attorney, Agent, or Firm—Sherman & Sherman

[57] **CLAIM**

The ornamental design for the horizontal stagelight, as shown as described.

DESCRIPTION

FIG. 1 is a front perspective view of a horizontal stagelight showing my new design;
 FIG. 2 is a front view of the horizontal stagelight showing my new design;
 FIG. 3 is a left side view of the horizontal stagelight showing my new design;
 FIG. 4 is a right side view of the horizontal stagelight showing my new design;
 FIG. 5 is a back view of the horizontal stagelight showing my new design;
 FIG. 6 is a top view of the horizontal stagelight showing my new design; and,
 FIG. 7 is a bottom view of the horizontal stagelight showing my new design.



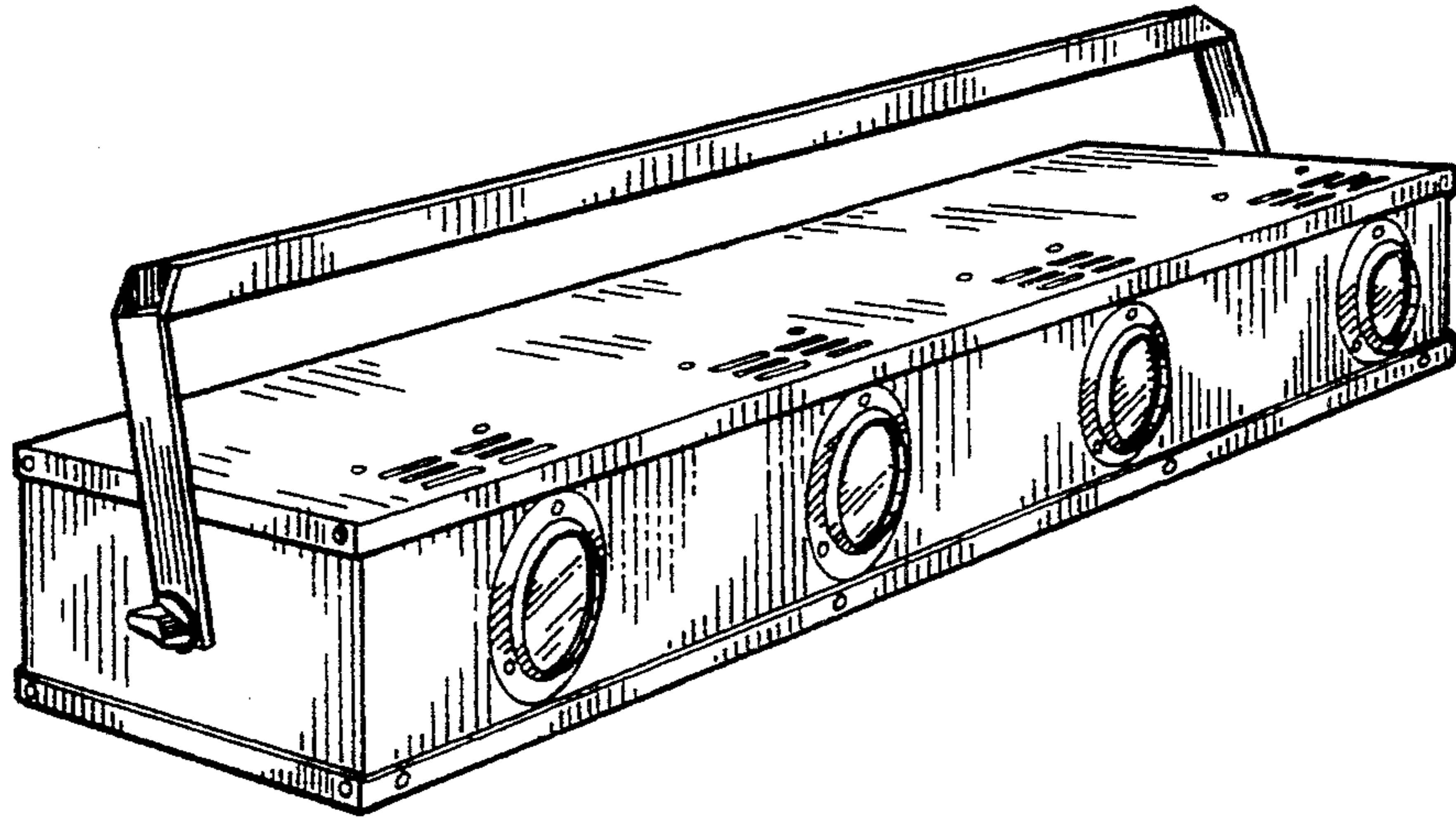


FIG. 1

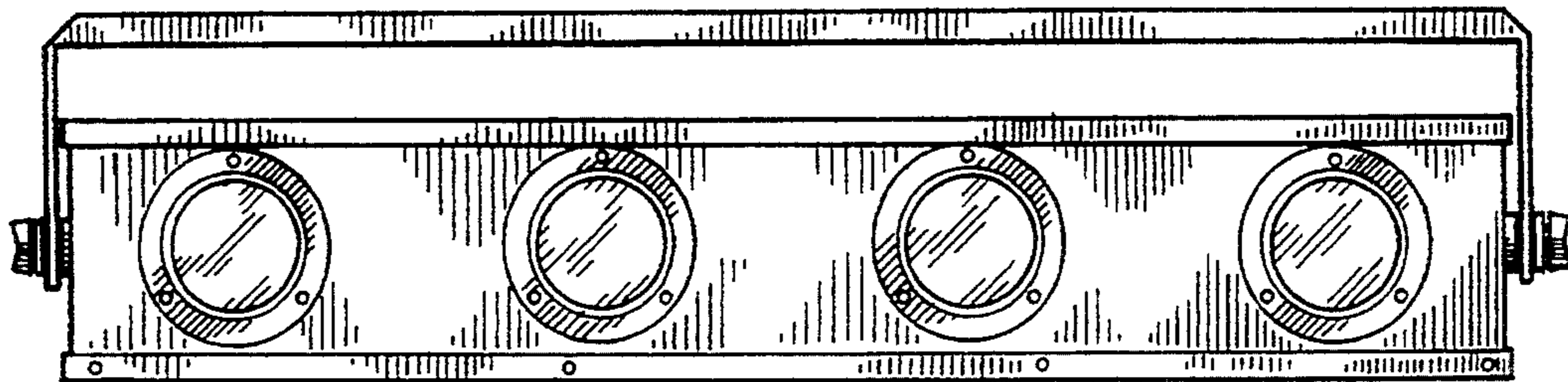


FIG. 2

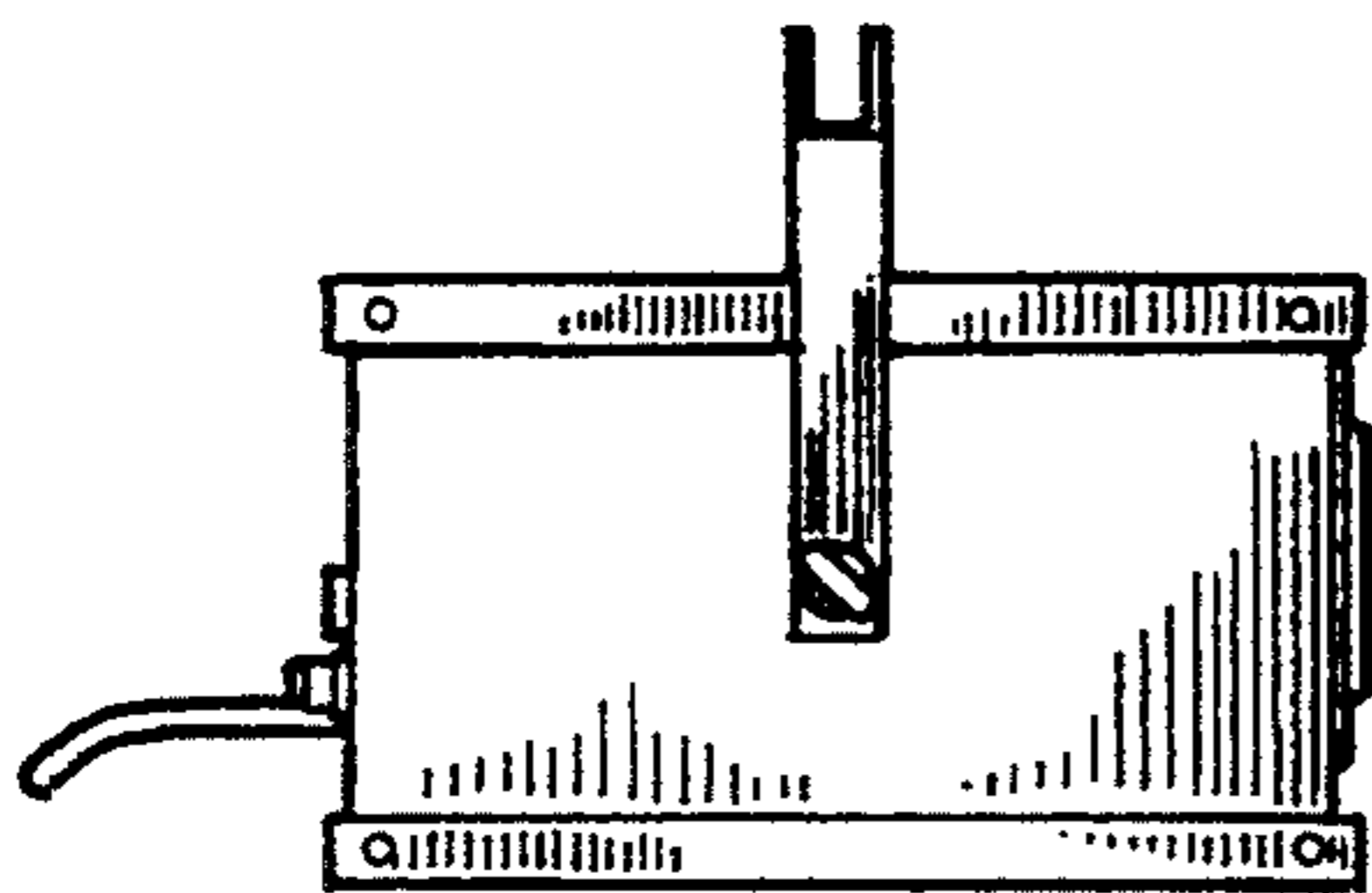


FIG. 3

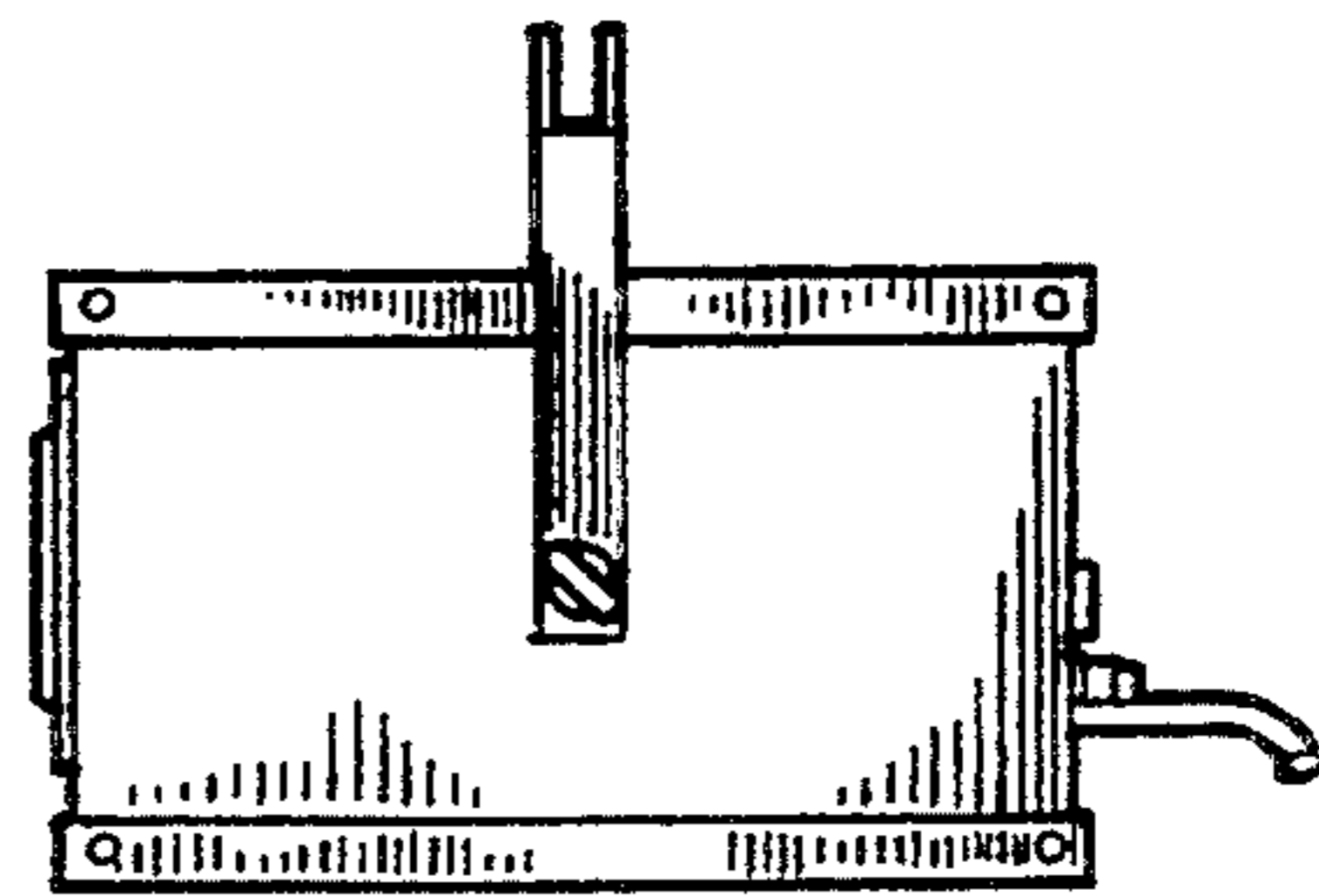


FIG. 4

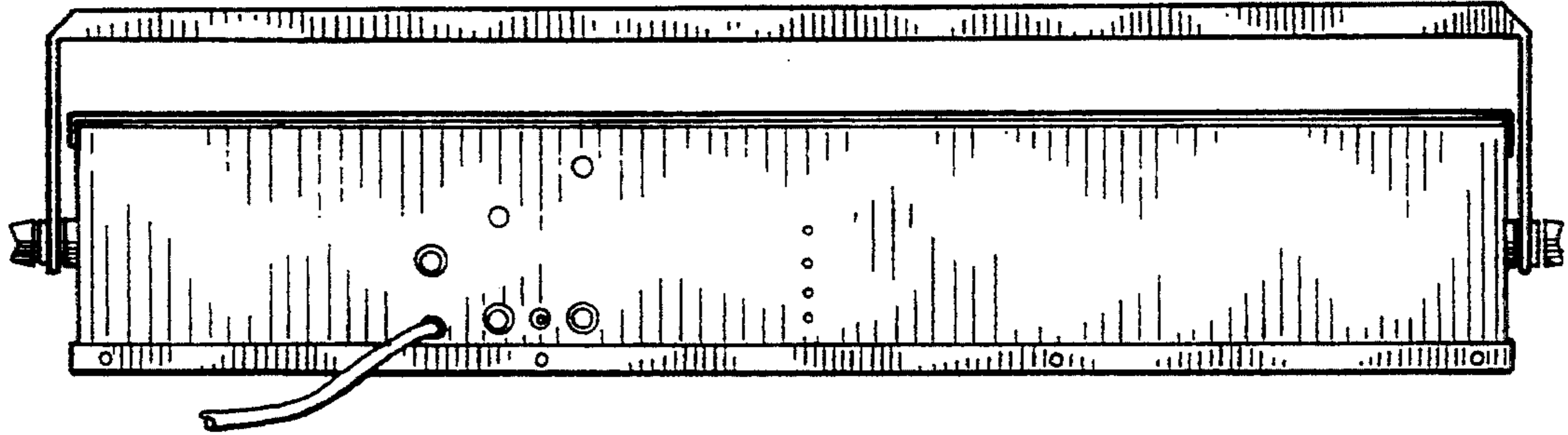


FIG. 5

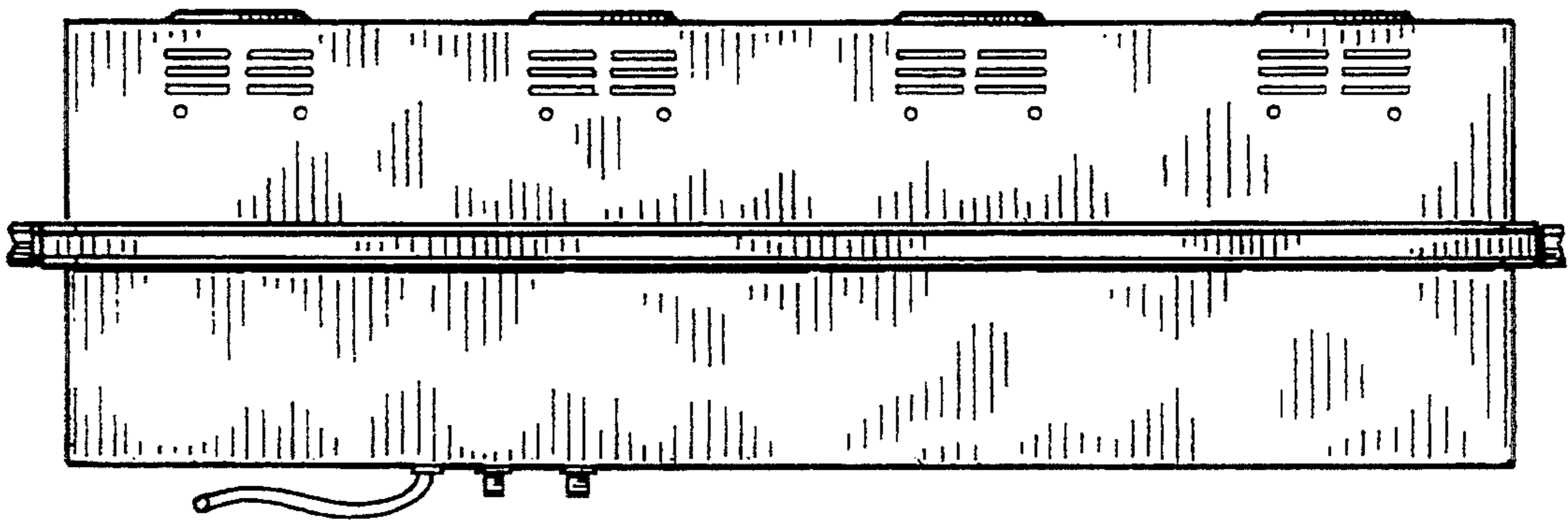


FIG. 6

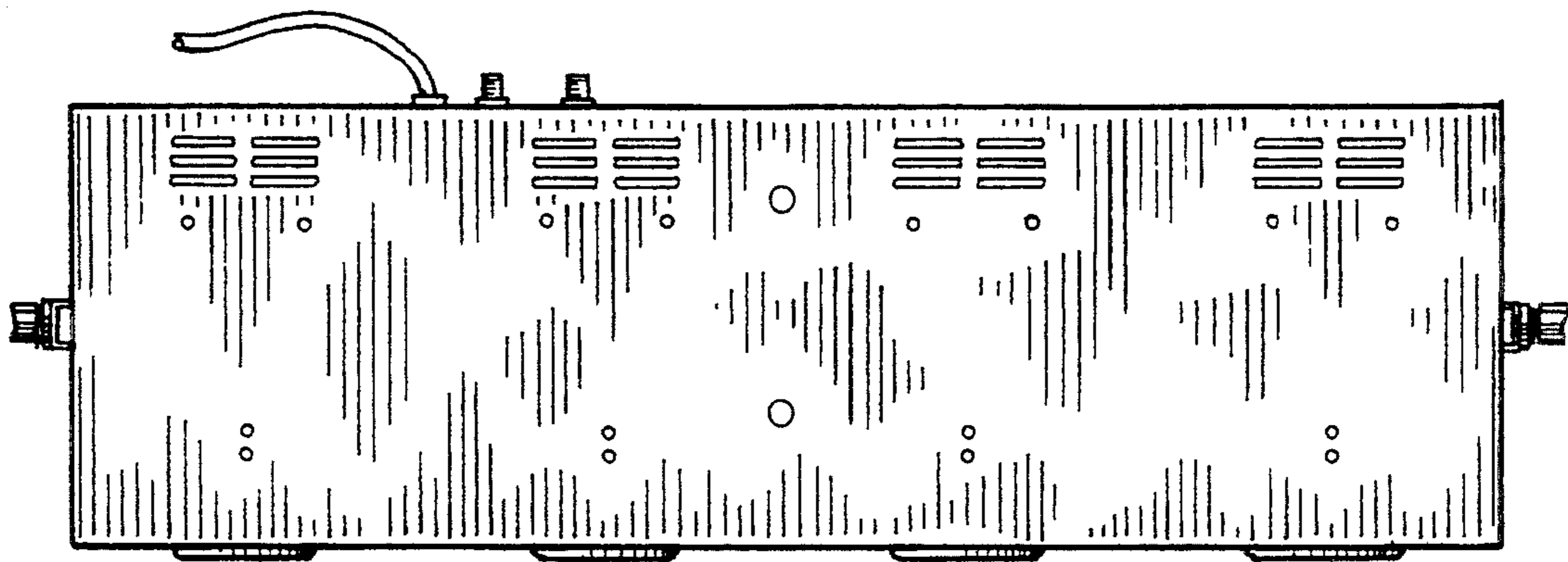


FIG. 7