



US00D359368S

United States Patent [19]

[11] Patent Number: **Des. 359,368**

Anderson

[45] Date of Patent: **** Jun. 13, 1995**

[54] **BRICK MOLD**

[76] Inventor: **Carl E. Anderson**, 1011 Capouse Ave., Scranton, Pa. 18509

[**] Term: **14 Years**

[21] Appl. No.: **24,640**

[22] Filed: **Jun. 17, 1994**

[52] U.S. Cl. **D25/136; D25/199**

[58] Field of Search **D25/119, 136, 164, 199; 52/287.1, 288.1, 290, 292, 596, 598, 605-609**

[56] **References Cited**

U.S. PATENT DOCUMENTS

- D. 54,285 12/1919 Spin D25/136
- D. 352,362 11/1994 Anderson D25/136
- 1,635,093 7/1927 McPherson et al. 52/598

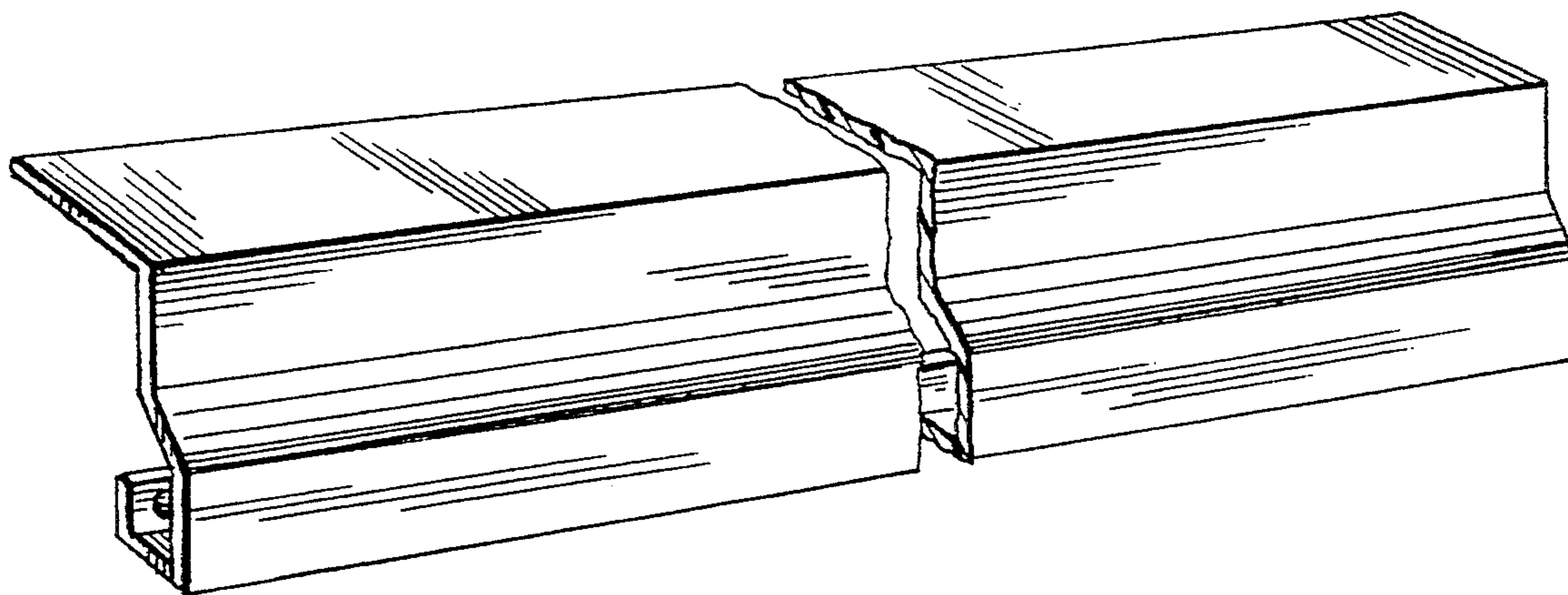
Primary Examiner—Doris Clark
Attorney, Agent, or Firm—Helfgott & Karas

[57] **CLAIM**

The ornamental design for a brick mold, as shown and described.

DESCRIPTION

FIG. 1 is a perspective view of the brick mold;
 FIG. 2 is a top view thereof;
 FIG. 3 is a front view thereof;
 FIG. 4 is a side-edge view thereof, the other side being identical thereto;
 FIG. 5 is a bottom view thereof; and,
 FIG. 6 is a rear view thereof.
 The brick mold is broken in the center to disclose indeterminate length.



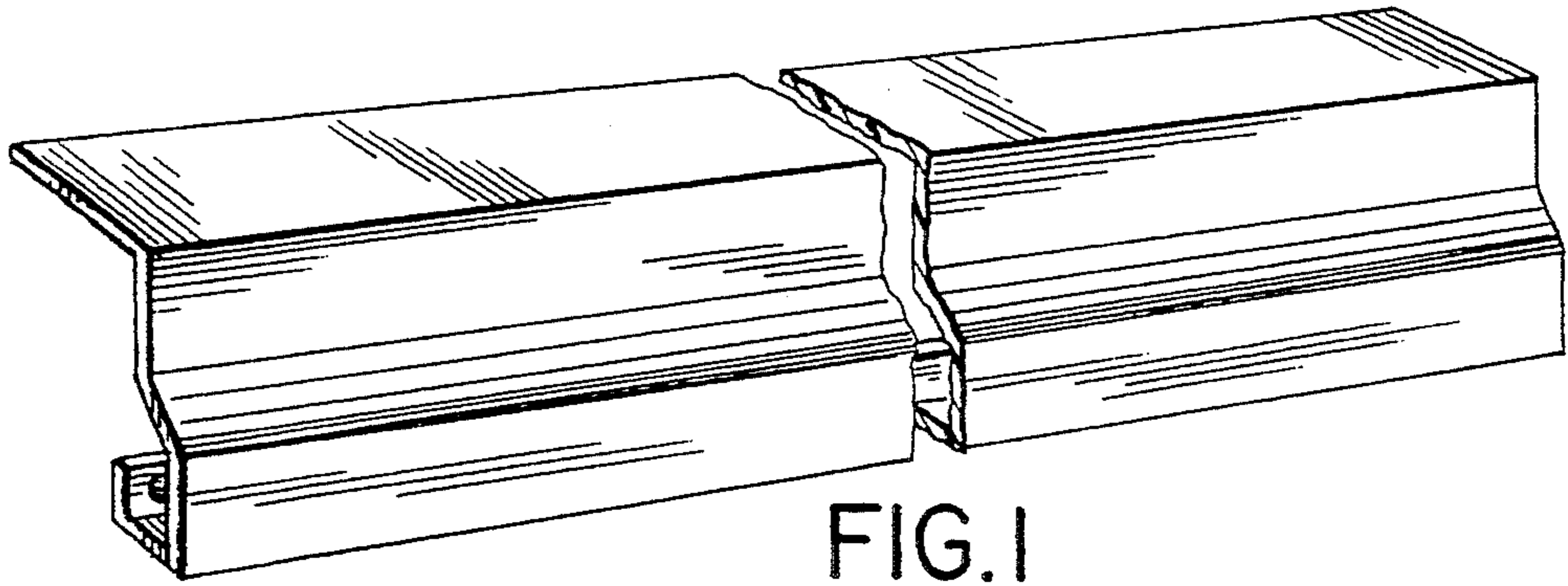


FIG. 1

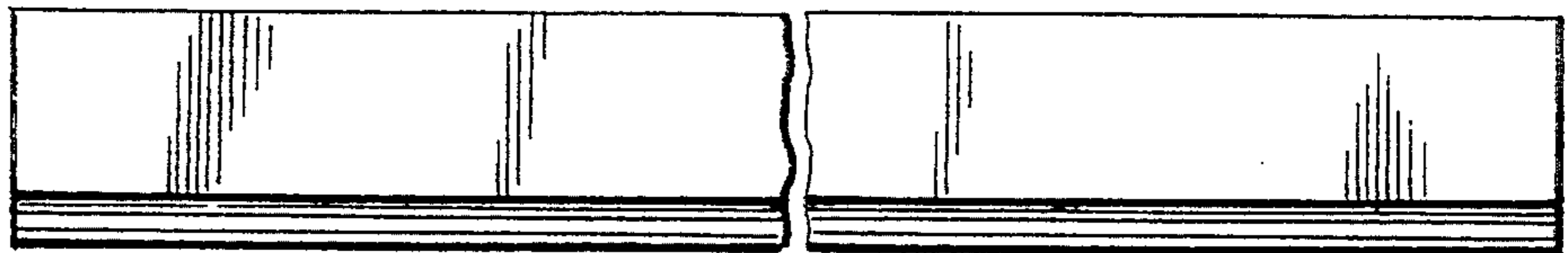


FIG. 2



FIG. 4

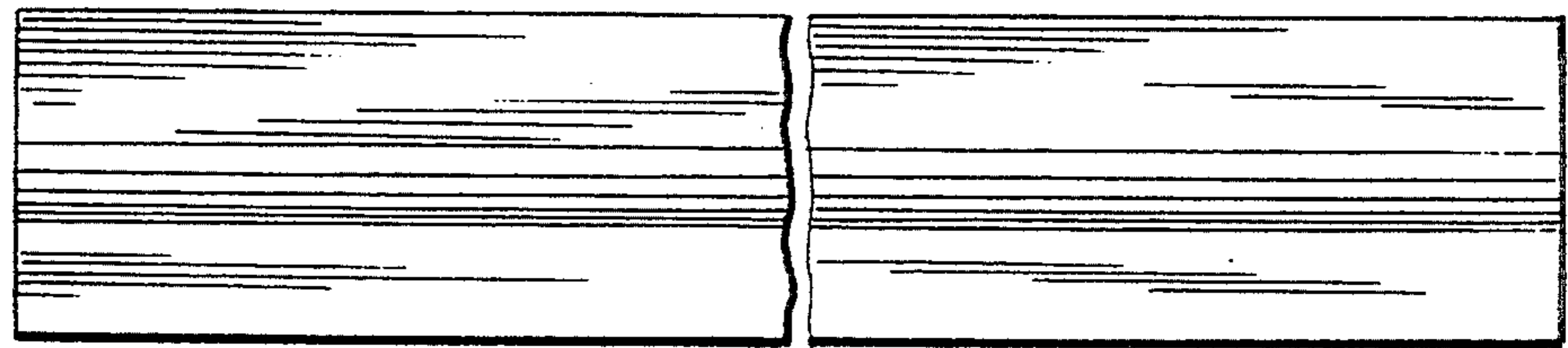


FIG. 3

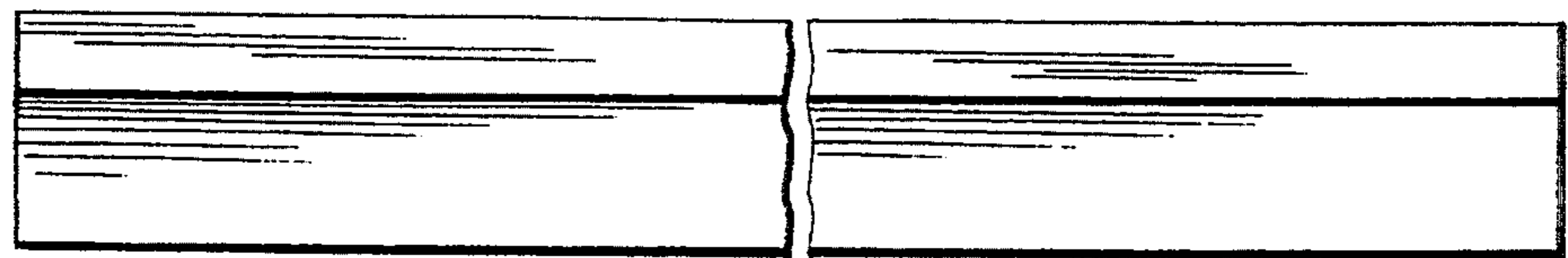


FIG. 5

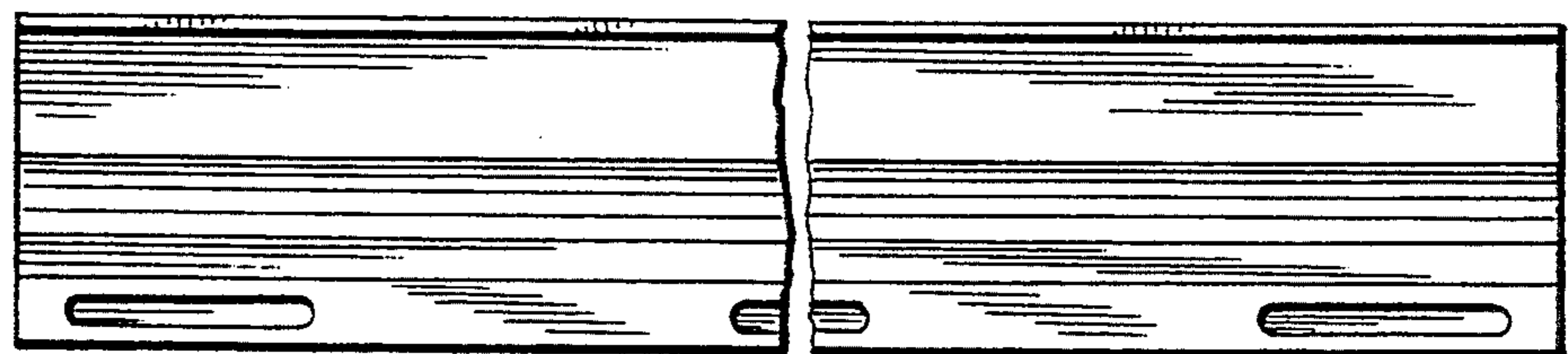


FIG. 6