



US00D359363S

# United States Patent [19]

[11] Patent Number: Des. 359,363

Vinci

[45] Date of Patent: \*\* Jun. 13, 1995

[54] UMBRELLA DOME STADIUM

5,035,093 7/1991 Parazader et al. .... 52/6 X

[76] Inventor: Andrew Vinci, 1146 Sandhurst La.,  
La Verne, Calif. 91750

Primary Examiner—Doris V. Coles  
Attorney, Agent, or Firm—James Creighton Wray

[\*\*] Term: 14 Years

[57] CLAIM

[21] Appl. No.: 3,295

The ornamental design for an umbrella dome stadium,  
as shown and described.

[22] Filed: Jan. 6, 1993

DESCRIPTION

[52] U.S. Cl. .... D25/12; D25/19

FIG. 1 is a plan view of the design of the present invention;

[58] Field of Search ..... D25/12, 13, 18, 19,  
D25/1; 52/6, 66, 236.1, 80.1, 81.1, 82, 73

FIG. 2 is a side elevation of the design of the present invention;

[56] References Cited

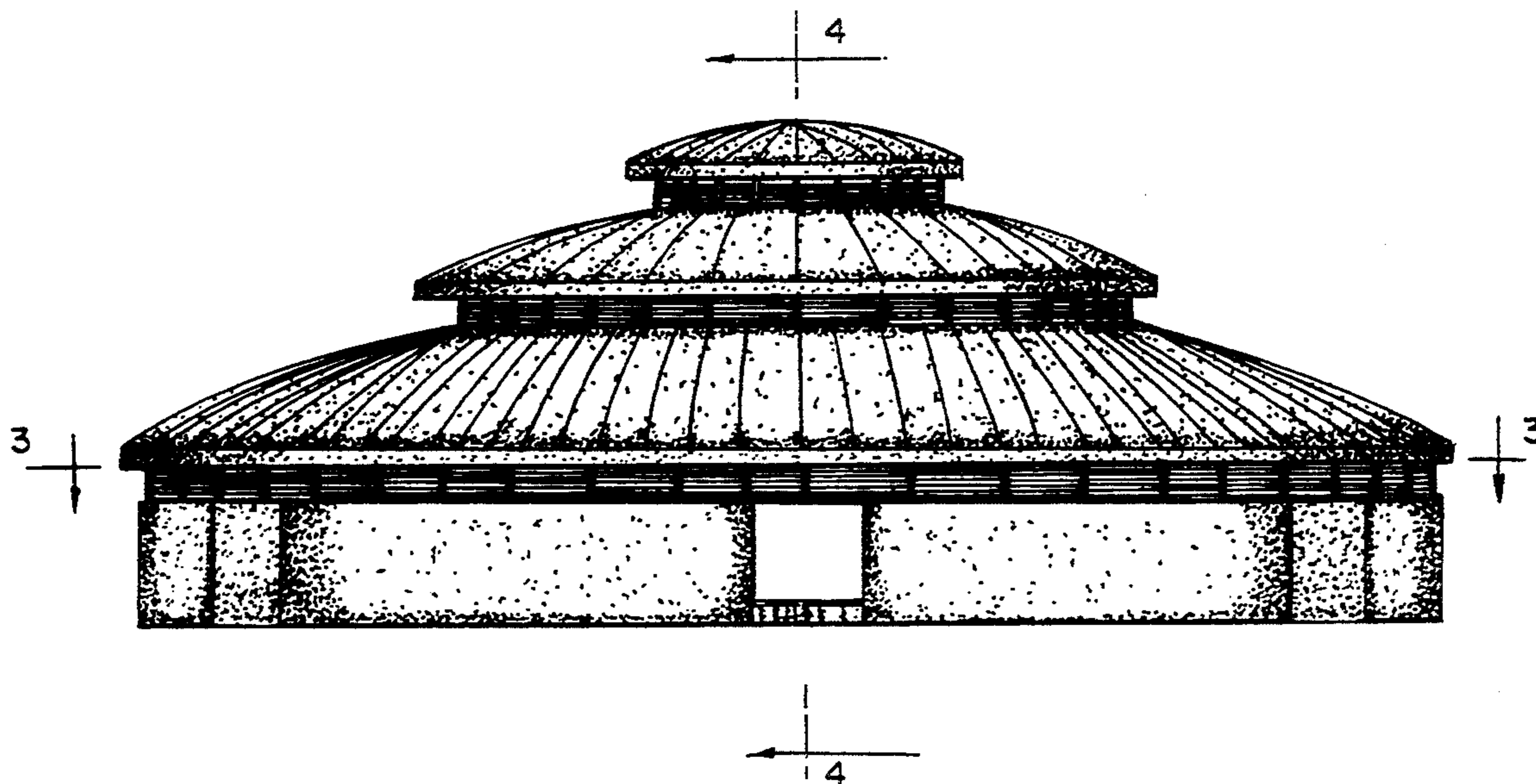
U.S. PATENT DOCUMENTS

D. 189,021	10/1960	Smith, Jr. ....	D25/18
D. 252,527	7/1979	Huffhines ....	D25/19 X
3,017,893	1/1962	Greenbie ....	D25/12 X
3,316,682	5/1967	Natalis ....	52/82 X
3,583,112	6/1971	Kennedy ....	52/82
4,332,116	6/1982	Buchanan ....	52/236.1 X

FIG. 3 is a cross-sectional view taken along line 3—3 of FIG. 2, the broken line showing of a playing field is for illustrative purposes only and form no part of claimed design; and,

FIG. 4 is a cross-sectional elevation along line 4—4 of FIG. 2.

All four sides of the stadium are identical to the view shown in FIG. 2.



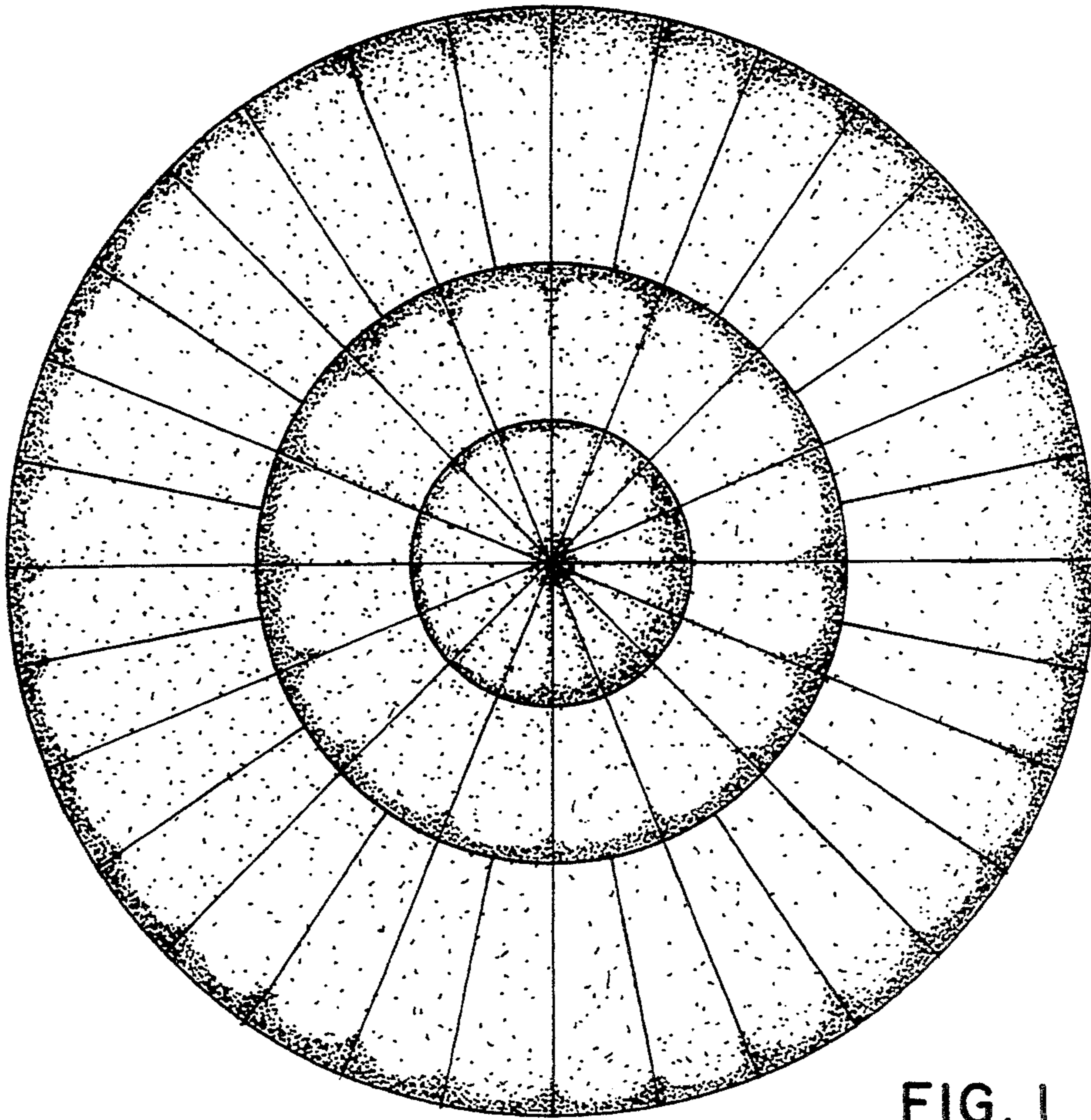


FIG. 1

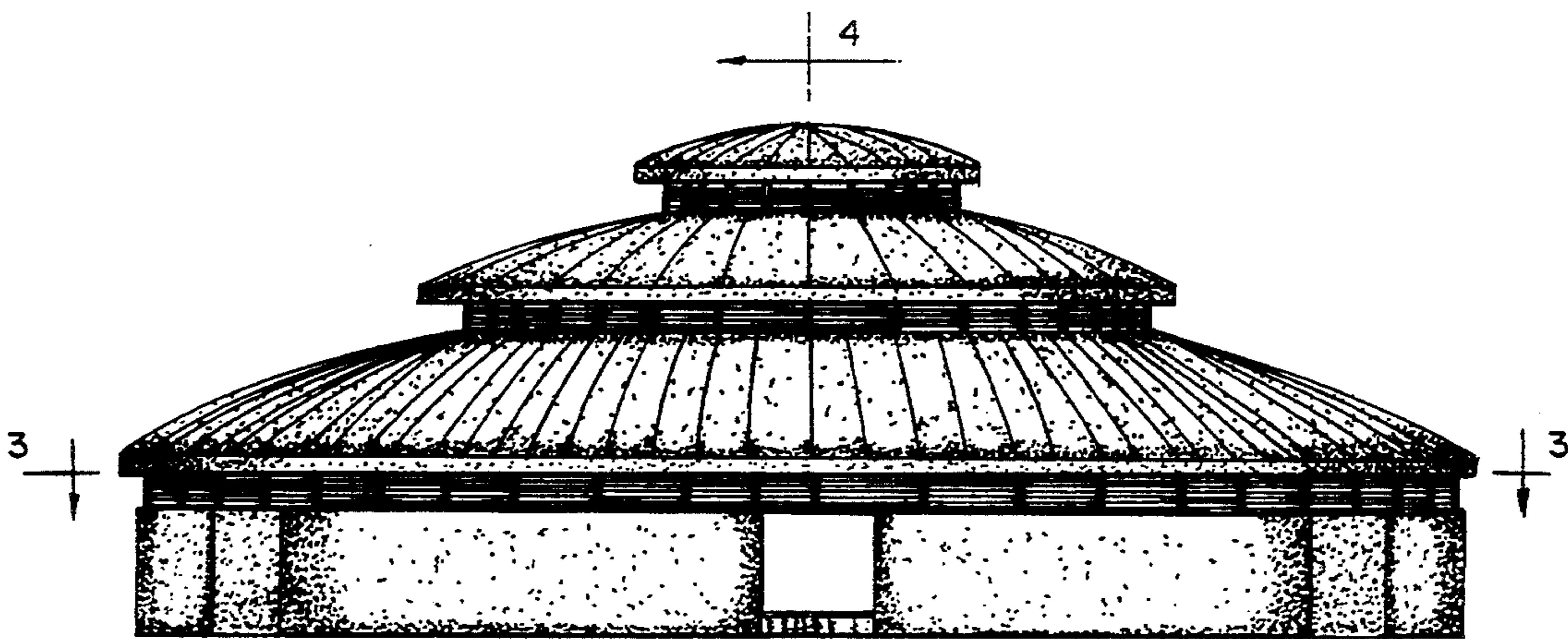


FIG. 2

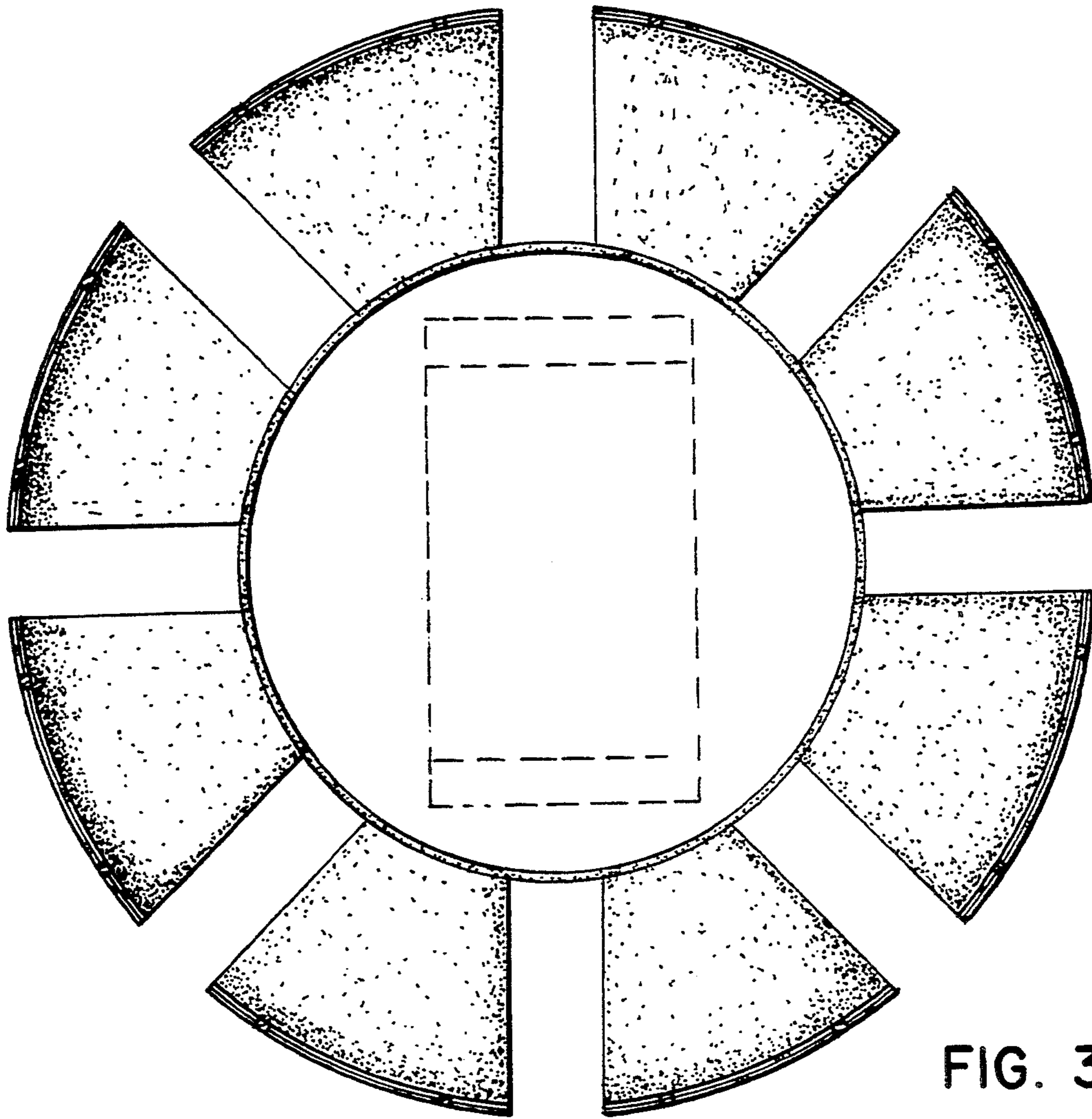


FIG. 3

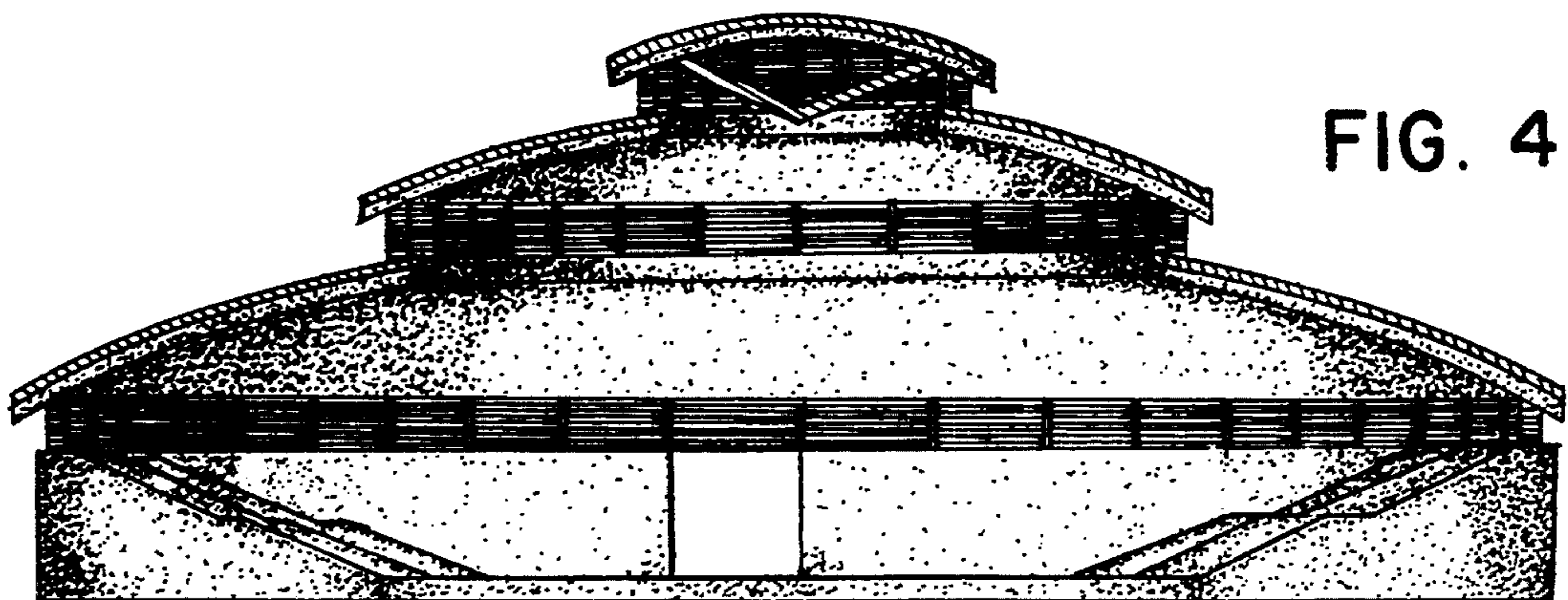


FIG. 4