



US00D359361S

**United States Patent** [19]  
**Swift**

[11] **Patent Number: Des. 359,361**  
[45] **Date of Patent: \*\* Jun. 13, 1995**

[54] **BOTTLE FOR A LABORATORY ANALYZER**

[75] **Inventor: Philip W. Swift, Port Jefferson, N.Y.**

[73] **Assignee: Ciba Corning Diagnostics Corp.,  
Medfield, Mass.**

[\*\*] **Term: 14 Years**

[21] **Appl. No.: 16,179**

[22] **Filed: Dec. 9, 1993**

[52] **U.S. Cl. .... D24/224; D9/527;  
D24/121**

[58] **Field of Search ..... D24/224; D9/526, 527,  
D9/520; 422/65, 62, 61, 64, 102**

[56] **References Cited**

**U.S. PATENT DOCUMENTS**

D. 212,212 9/1968 Tompkins ..... D9/526  
D. 247,092 1/1978 Evangelista et al. .... D9/526  
D. 341,204 11/1993 Hansen et al. .... D24/224

D. 342,140 12/1993 Sakagami et al. .... D24/224  
2,032,807 3/1936 Masbach ..... D9/526 X

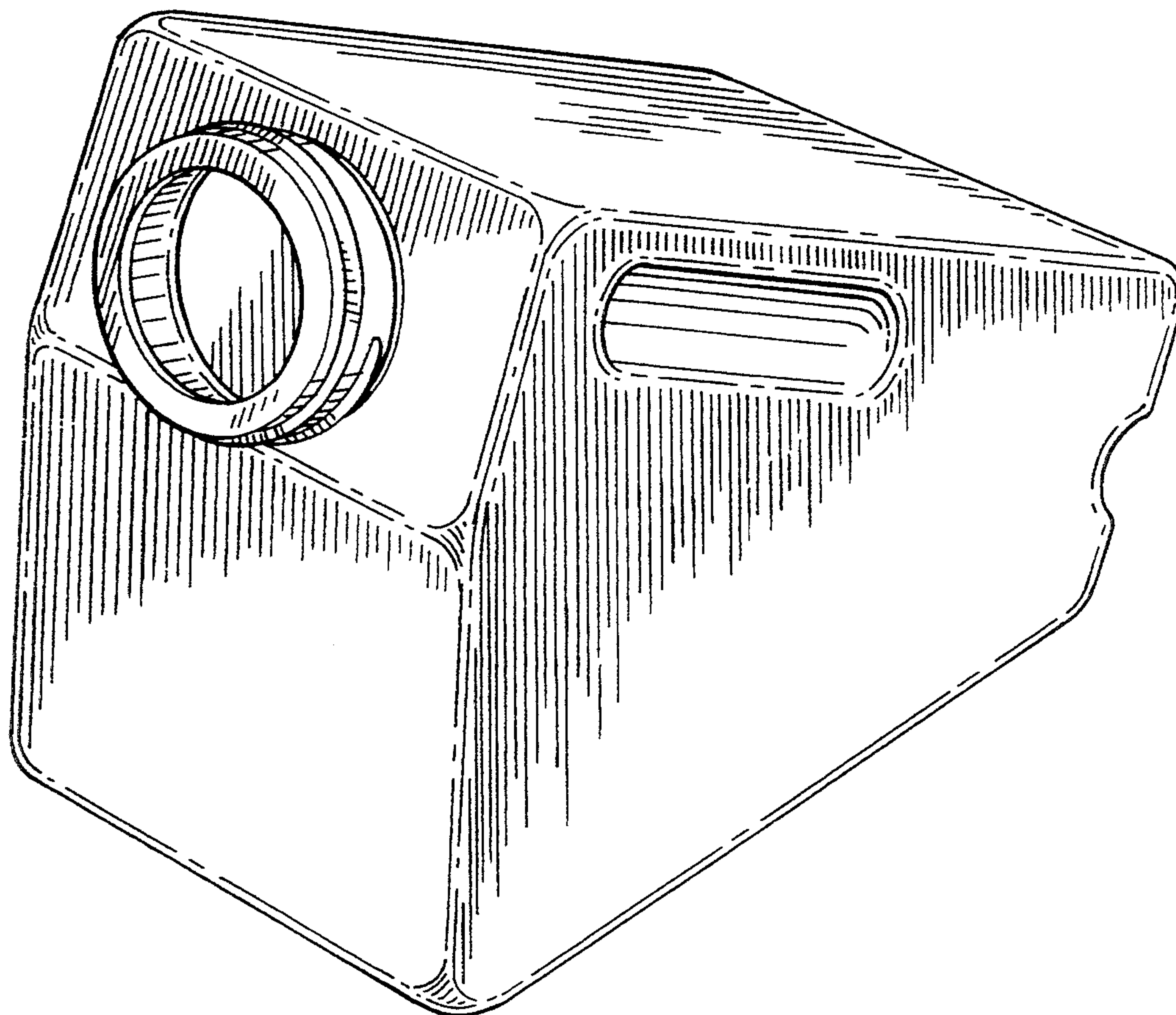
*Primary Examiner*—Louis S. Zarfes  
*Assistant Examiner*—I. Simmons  
*Attorney, Agent, or Firm*—Nicholas I. Slepchuk, Jr.;  
Arthur S. Morgenstern; Judith A. Roesler

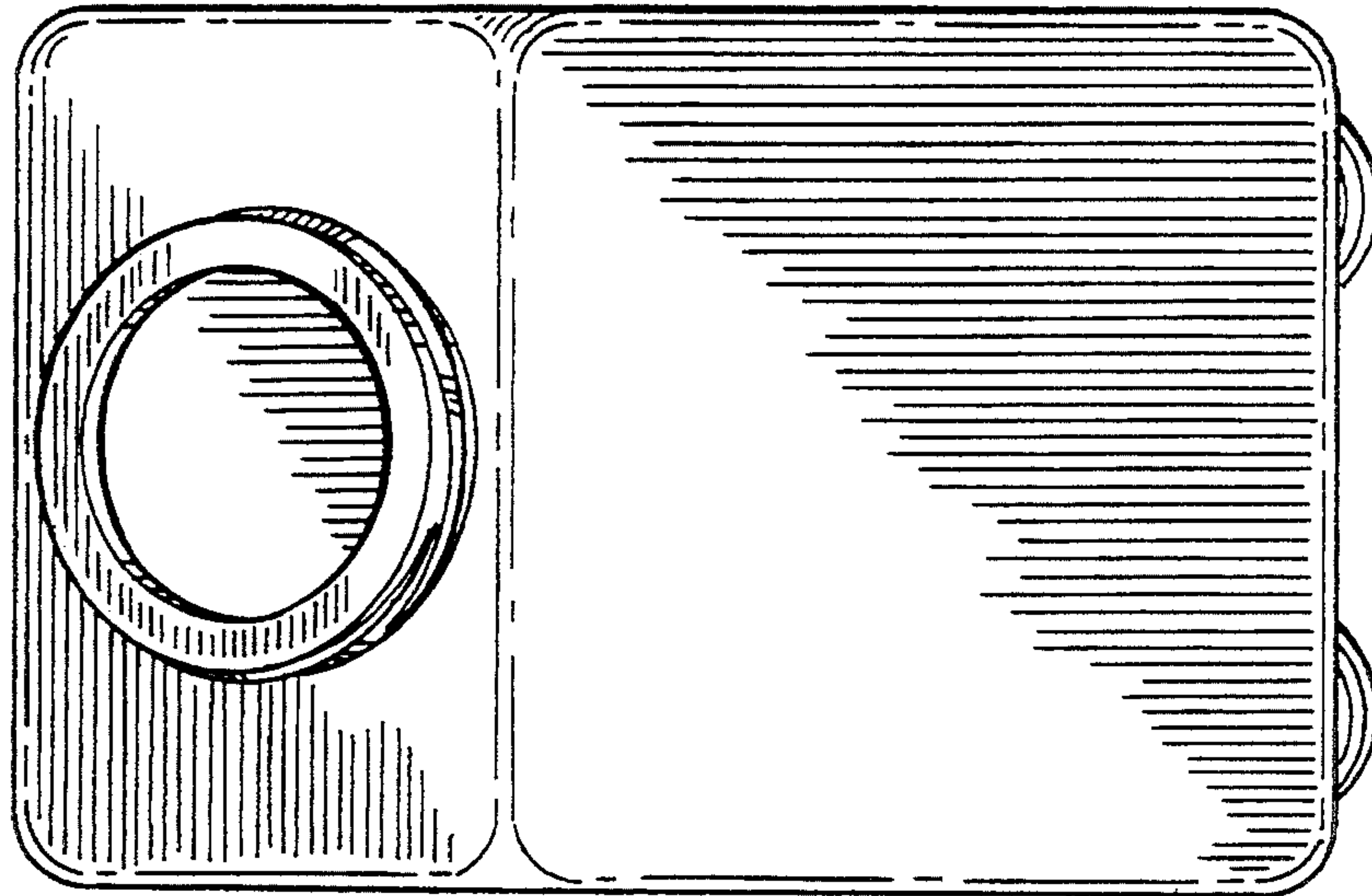
[57] **CLAIM**

The ornamental design for a bottle for a laboratory analyzer, as shown and described.

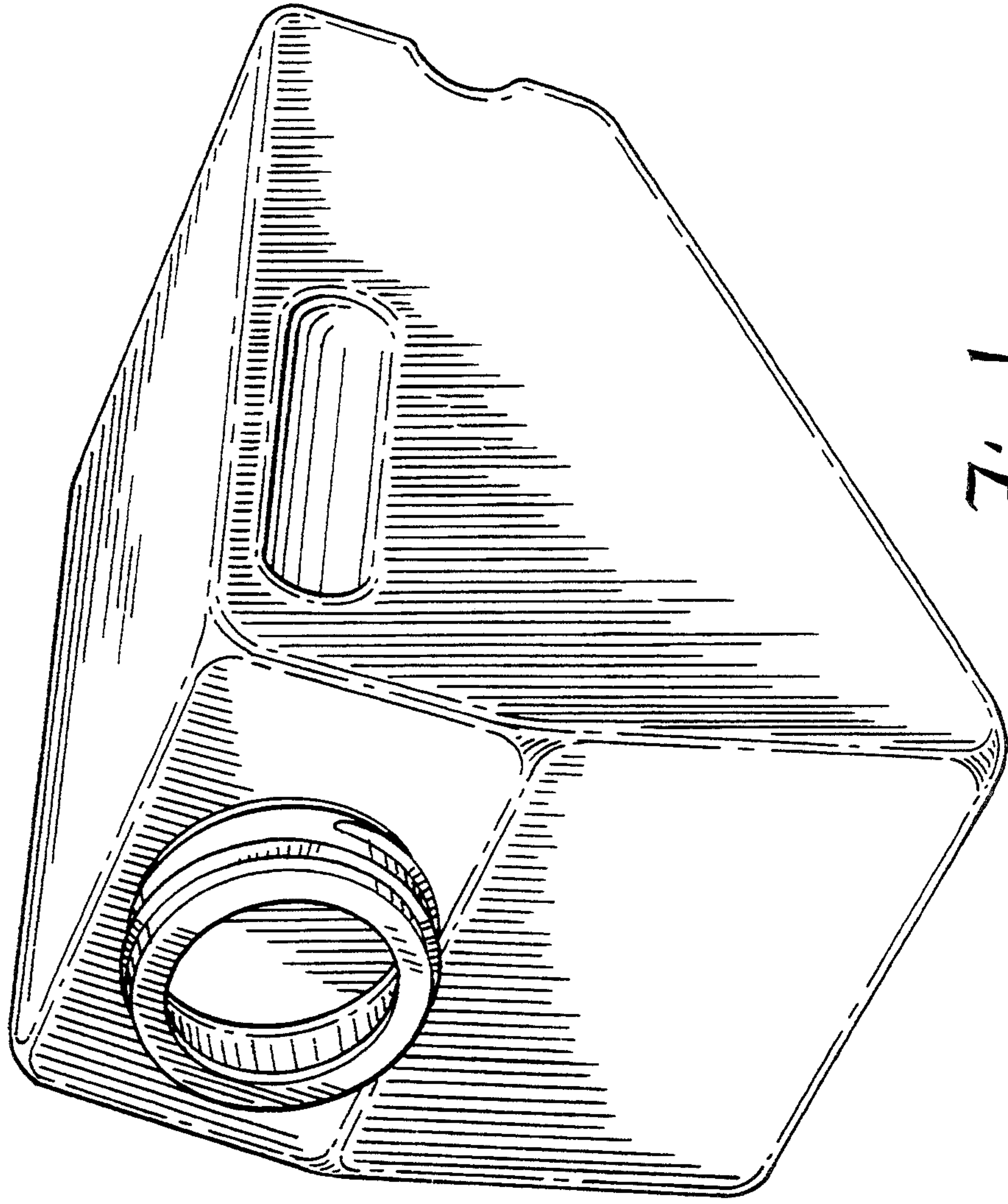
**DESCRIPTION**

FIG. 1 is a prospective view of a bottle for a laboratory analyzer showing my new design;  
FIG. 2 is a front elevational view of FIG. 1;  
FIG. 3 is a rear elevational view of FIG. 1;  
FIG. 4 is a side elevational view of FIG. 1;  
FIG. 5 is a bottom view of FIG. 1 of FIG. 1; and,  
FIG. 6 is a side elevational view thereof, opposite that shown in FIG. 4.

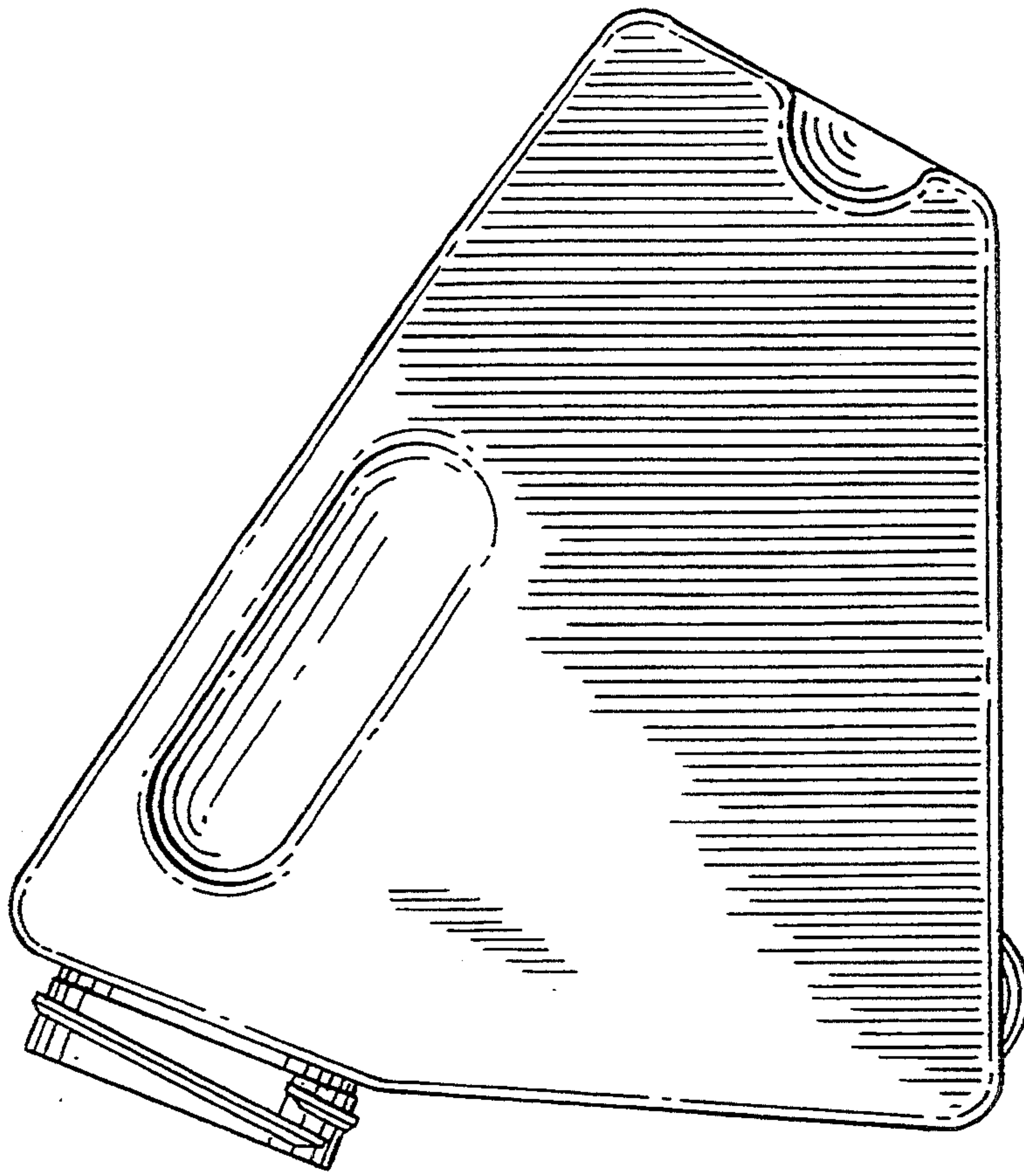




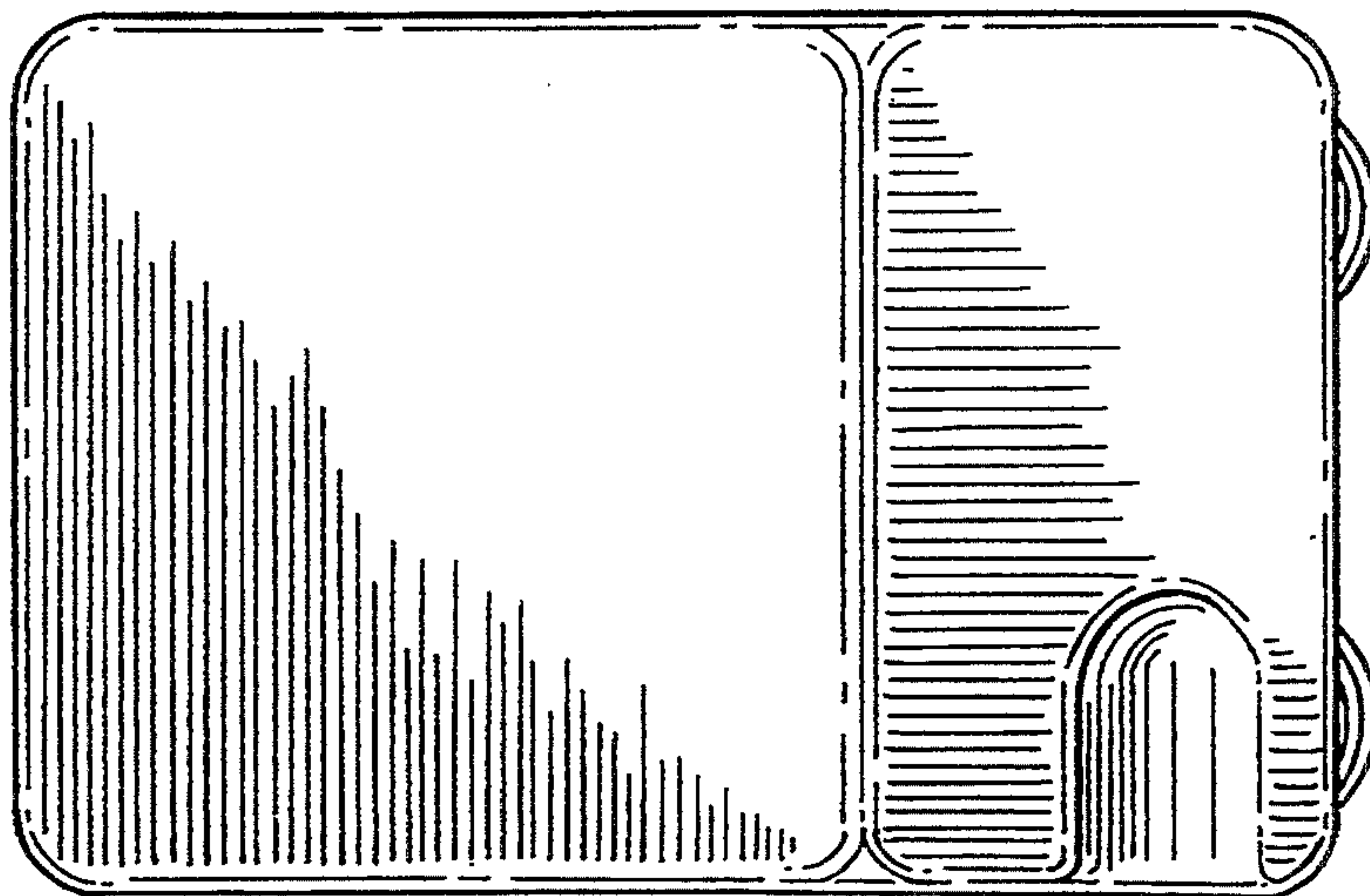
*Fig. 2*



*Fig. 1*

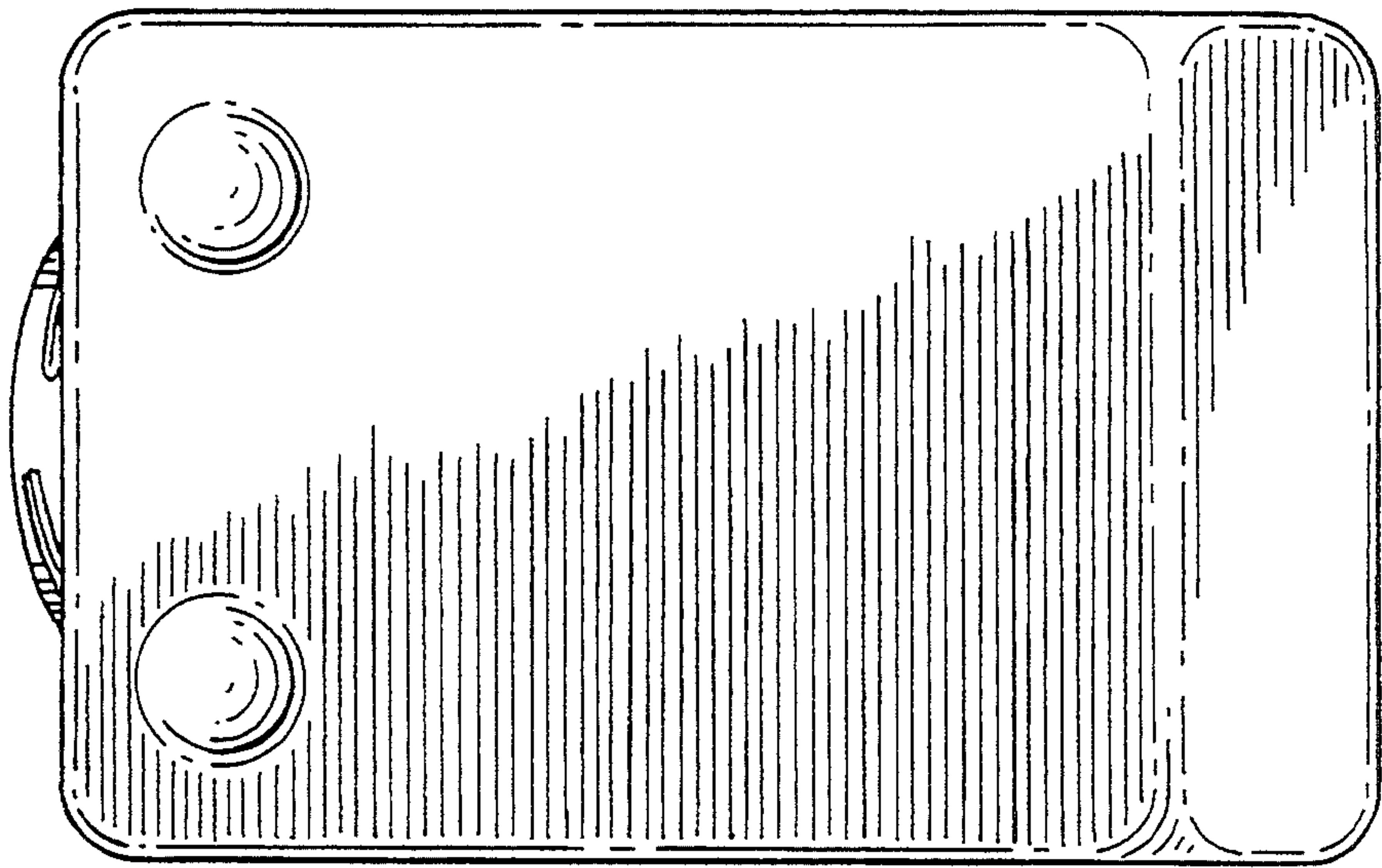


*Fig. 4*

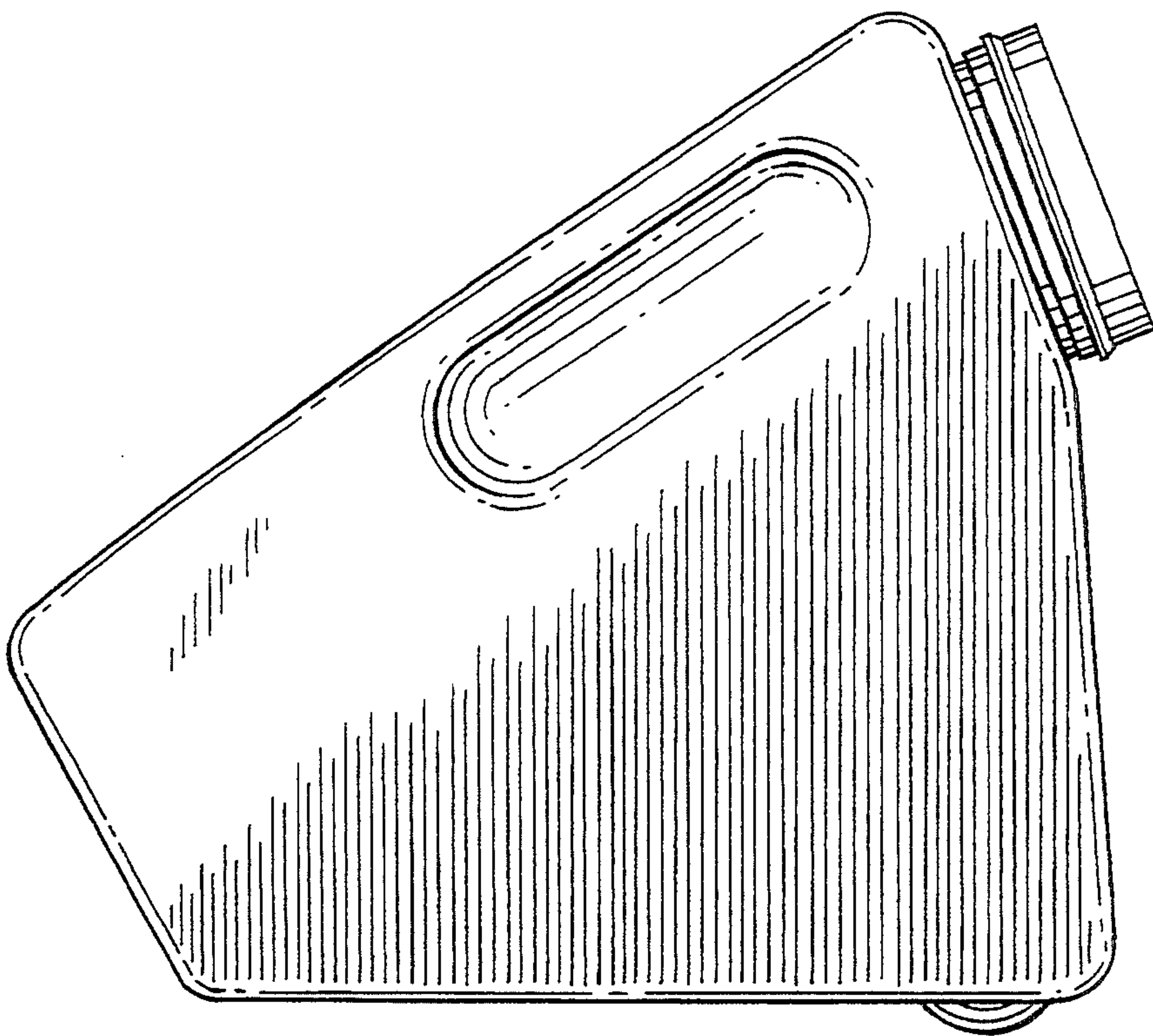


*Fig. 3*





*Fig. 5*



*Fig. 6*