



US00D359358S

# United States Patent [19]

[11] Patent Number: **Des. 359,358**

Pecora et al.

[45] Date of Patent: **\*\* Jun. 13, 1995**

[54] **PRESSURE POINT APPLICATOR**

4,493,315 1/1985 Iwahashi .  
4,520,798 6/1985 Lewis ..... D24/211 X  
4,944,747 7/1990 Newth et al. .

[76] Inventors: **Damiano C. Pecora**, 80 English Street, Brampton, Ontario, Canada, L6X 2P6; **Cosma G. Pecora**, 41 Millrun Crescent, Woodbridge, Ontario, Canada, L4H 1A4

*Primary Examiner*—Stella Reid

[\*\*] Term: **14 Years**

[57] **CLAIM**

[21] Appl. No.: **5,624**

The ornamental design for a pressure point applicator, as shown.

[22] Filed: **Mar. 8, 1993**

**DESCRIPTION**

[52] U.S. Cl. .... **D24/211; D24/214**

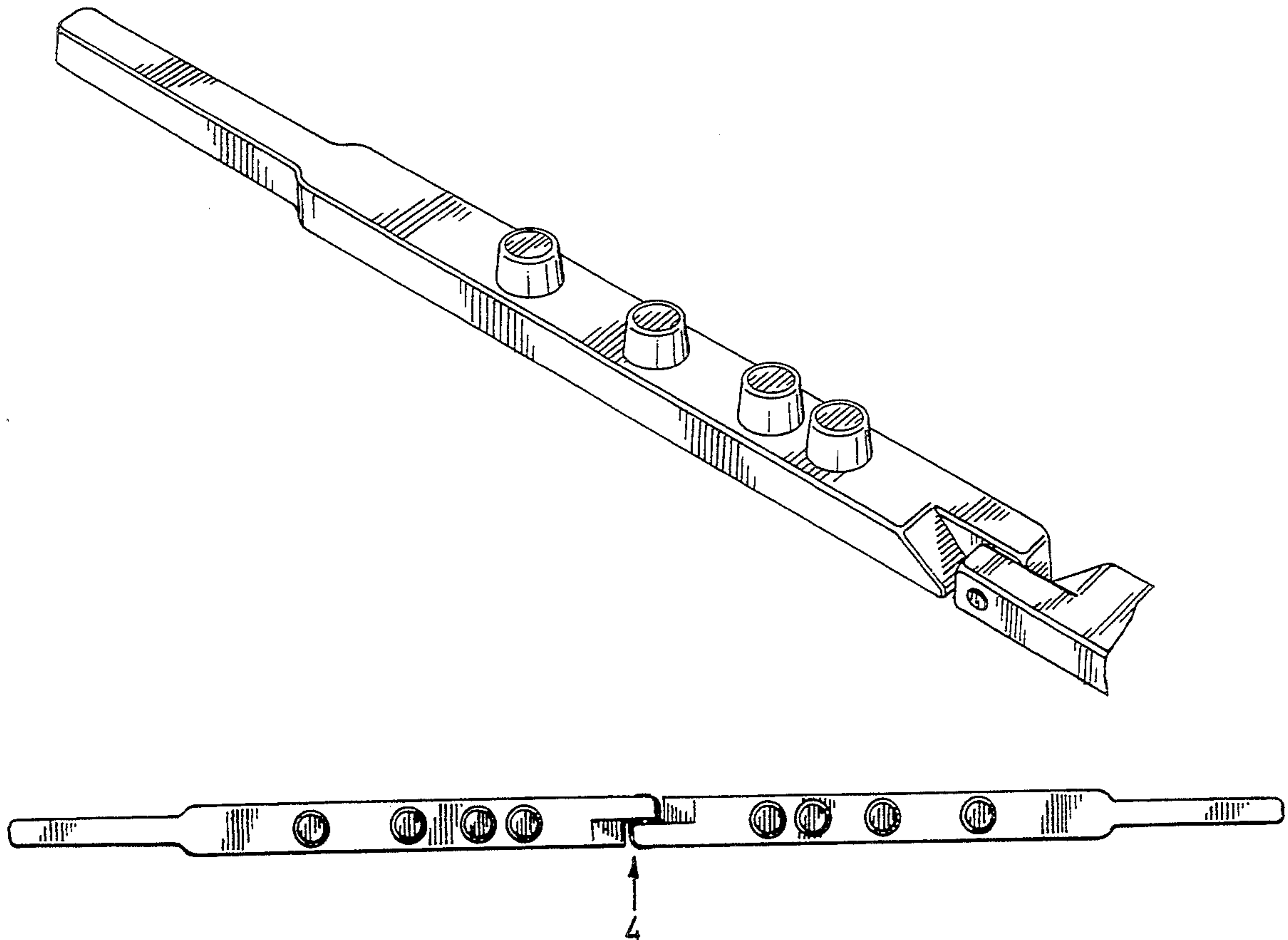
FIG. 1 is a perspective view of a pressure point applicator, showing my new design, with one side of the applicator fragmentarily shown for ease of illustration; FIG. 2 is a bottom perspective view thereof; FIG. 3 is a top plan view of the complete pressure point applicator; FIG. 4 is a side elevational view thereof in the direction arrow 4 of FIG. 3, the opposite side elevational view being identical thereto; FIG. 5 is a bottom plan view thereof; in the direction of arrow 5 of FIG. 4; and, FIG. 6 is an end elevational view thereof; in the direction or arrows 6 of FIG. 4; the opposite end elevational view being identical thereto.

[58] Field of Search ..... **D24/211, 200, 214; 606/204; 601/134-137**

[56] **References Cited**

**U.S. PATENT DOCUMENTS**

718,594	1/1903	Bailey .....	D24/214 X
723,735	3/1903	Schillberg .	
859,507	7/1907	Murdoch .	
1,726,560	9/1929	Hassler .	
3,831,592	8/1974	Lancellotti .....	D24/200 X
3,837,336	9/1974	Taubert .	
4,471,768	9/1984	Ciullo .	



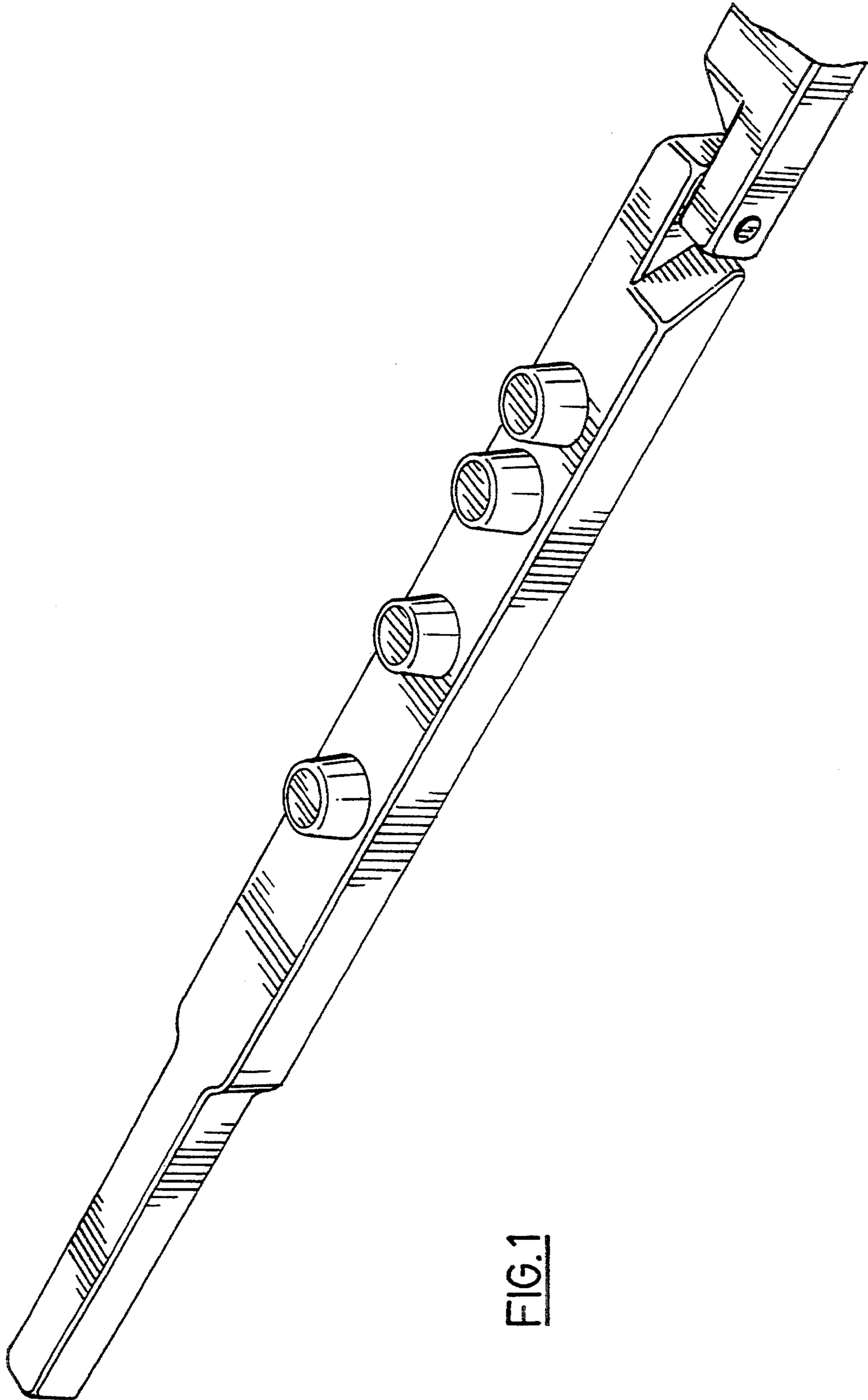


FIG. 1

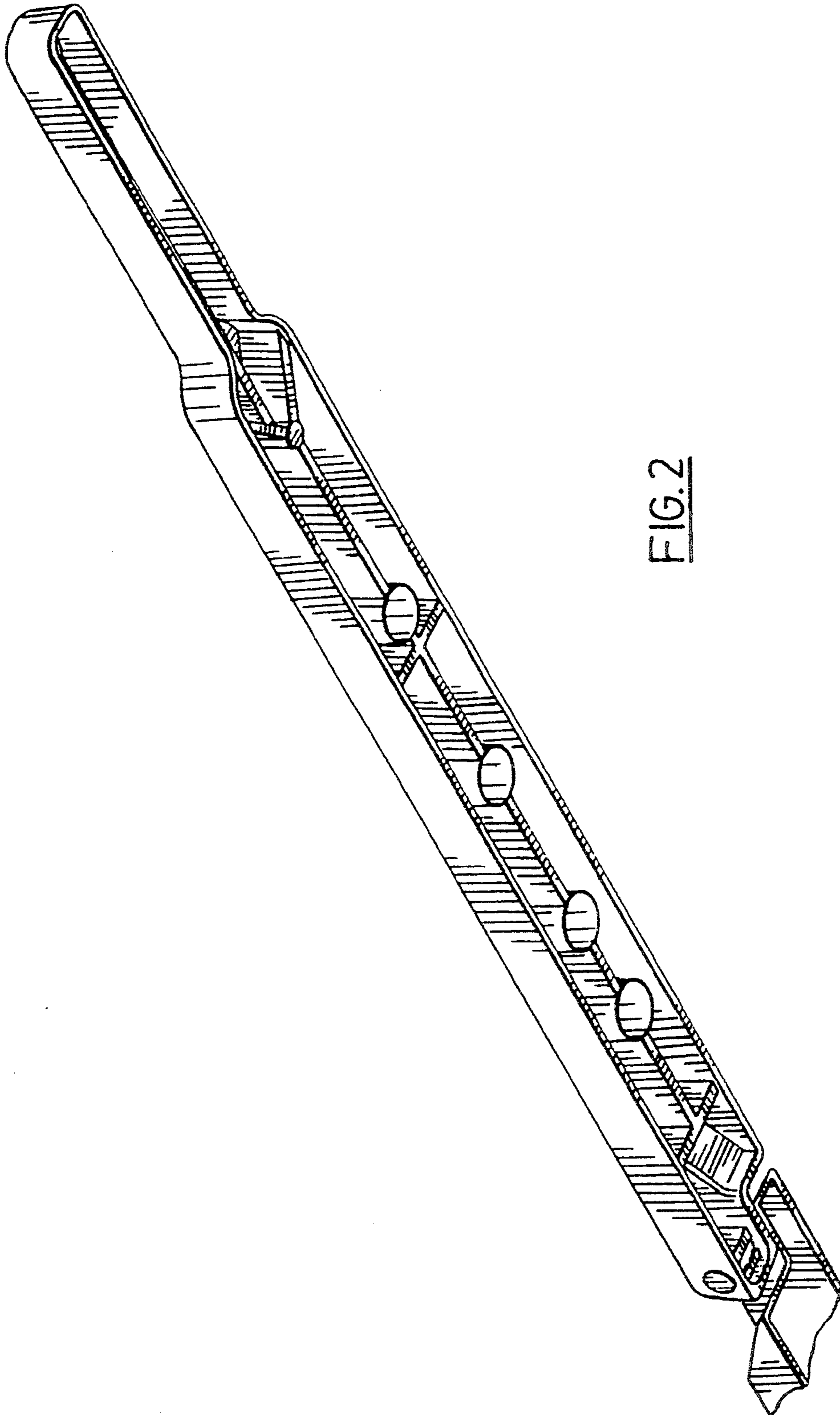


FIG. 2



FIG. 3

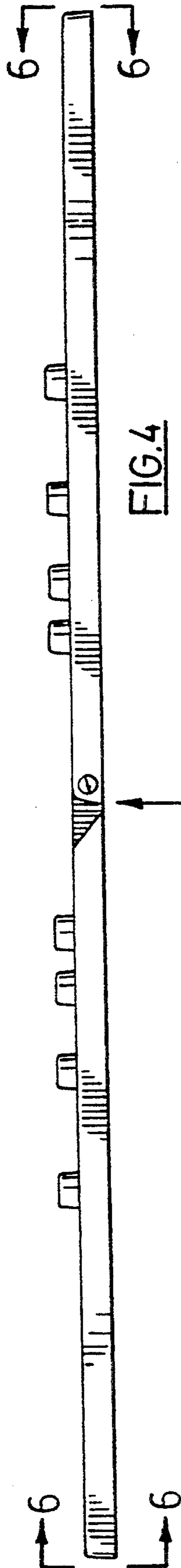


FIG. 4

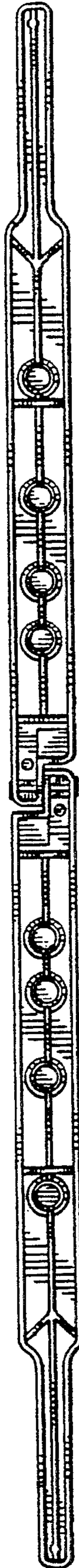


FIG. 5



FIG. 6

4

5