



US00D359352S

# United States Patent [19]

van der Valk

[11] Patent Number: **Des. 359,352**

[45] Date of Patent: **\*\* Jun. 13, 1995**

[54] **CONDOM RING**

[76] Inventor: **Willem L. van der Valk**, 11 E. 92nd St., Apt 3E, New York, N.Y. 10128

[\*\*] Term: **14 Years**

[21] Appl. No.: **616,303**

[22] Filed: **Nov. 20, 1990**

[52] U.S. Cl. .... **D24/105**

[58] Field of Search ..... D24/105, 143, 190, 129; 128/842, 844, 918; 600/41, 38; 285/336

[56] **References Cited**

**U.S. PATENT DOCUMENTS**

D. 196,724	10/1963	Davis, Jr. ....	D24/129
D. 254,808	4/1980	Meldahl .....	D24/105
D. 261,808	11/1981	Okamoto .....	D24/105
D. 295,322	4/1988	Nahorniak et al. ....	D24/190
D. 314,827	2/1991	Hendren .....	D24/105
D. 317,504	6/1991	Osbon .....	D24/143
D. 317,505	6/1991	Osbon .....	D24/143
4,203,432	5/1980	Koch .....	600/41

4,779,903	10/1988	Maier et al. ....	285/336
5,111,831	5/1992	Foggia .....	D24/105 X

**FOREIGN PATENT DOCUMENTS**

2100988	1/1983	United Kingdom .....	D24/336
9106268	5/1991	WIPO .....	D24/gdom

*Primary Examiner*—Stella Reid

*Attorney, Agent, or Firm*—Cornell D. M. Judge Cornish

[57] **CLAIM**

The ornamental design for condom ring, as shown and described.

**DESCRIPTION**

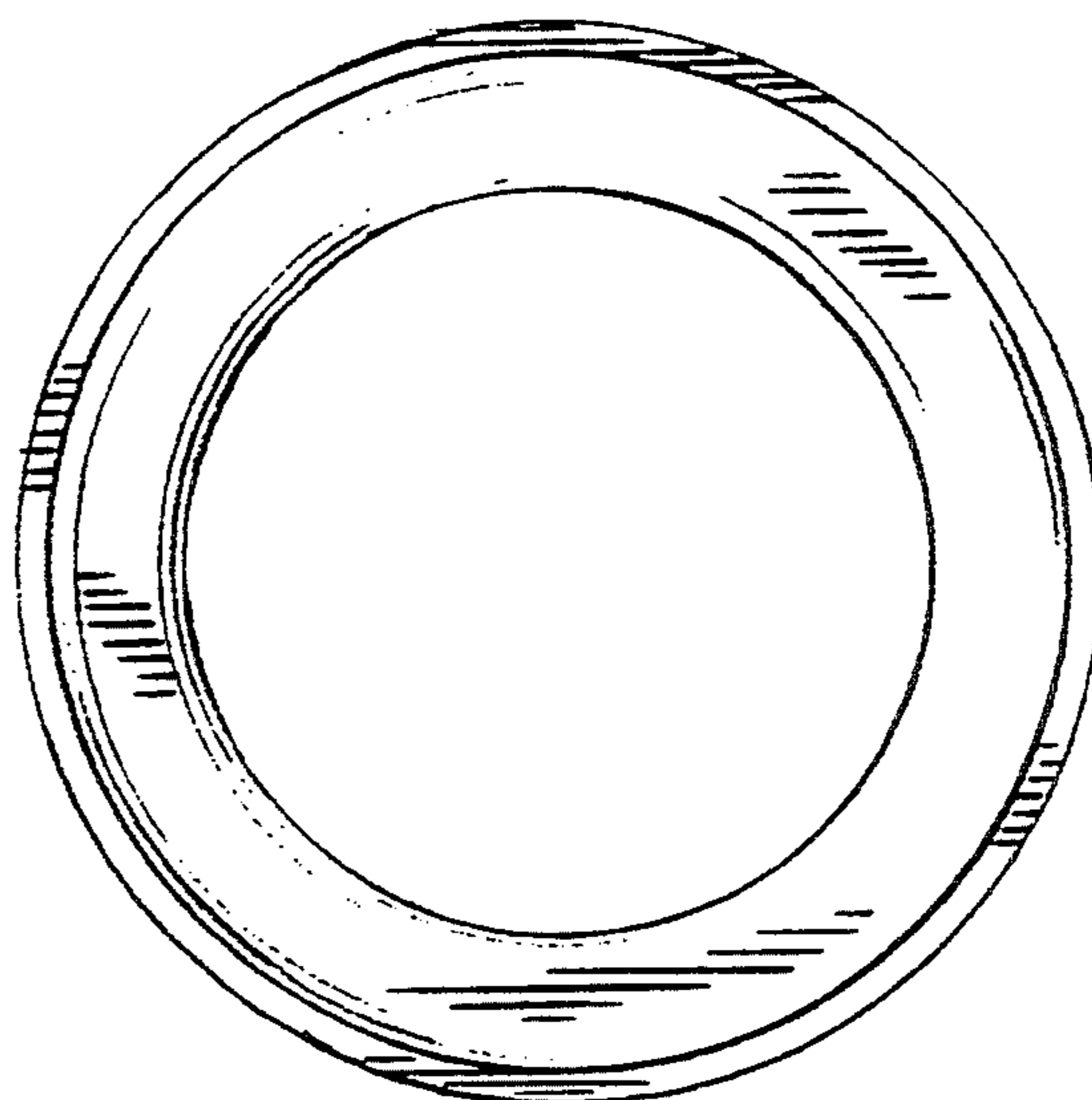
FIG. 1 is a top perspective view of a condom ring, showing my new design;

FIG. 2 is a cross-sectional view thereof, taken along line 2—2 of FIG. 1;

FIG. 3 is a top plan view thereof;

FIG. 4 is a bottom plan view thereof; and,

FIG. 5 is a side elevational view thereof, with all other sides being identical to that shown.



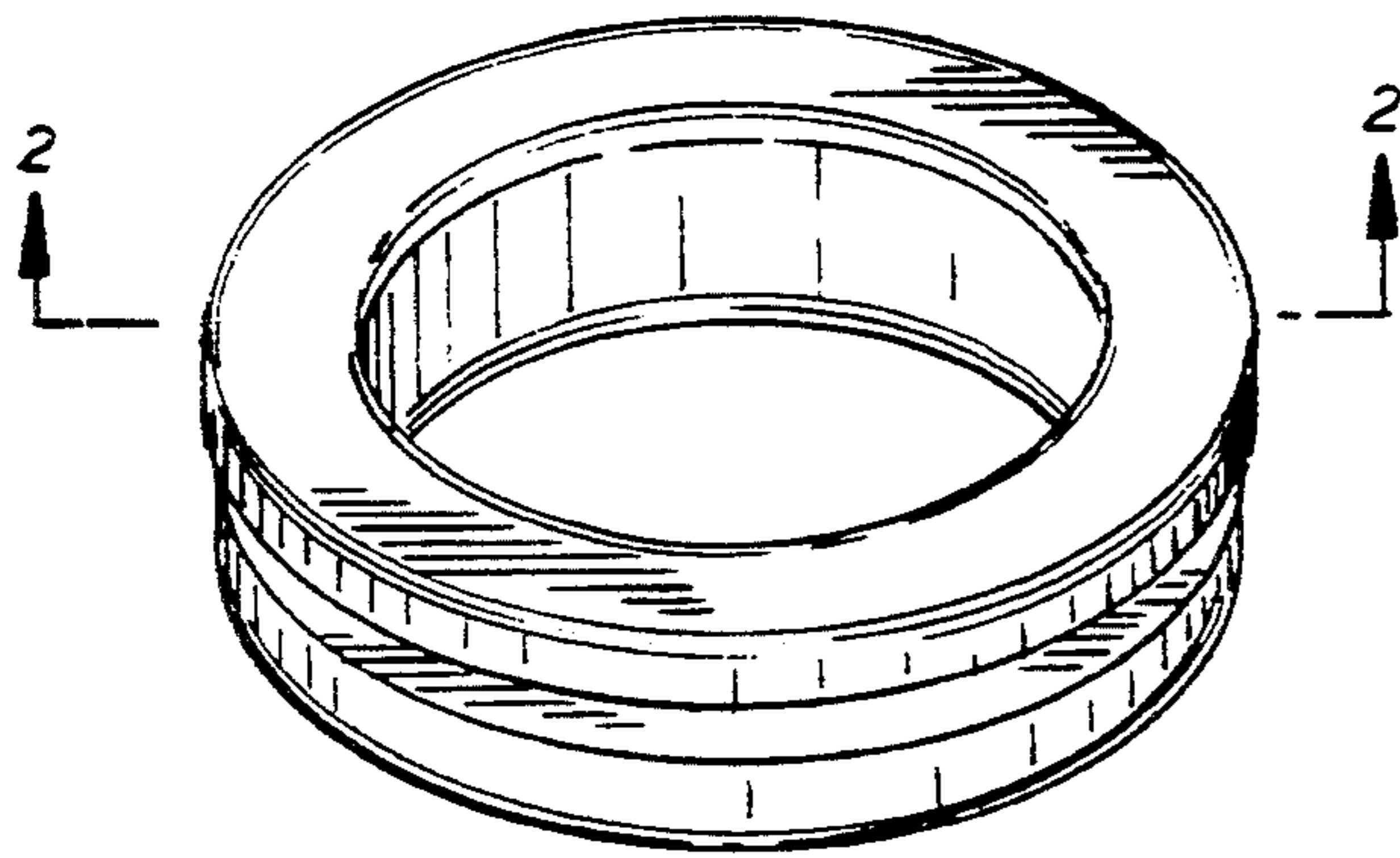


FIG. 1

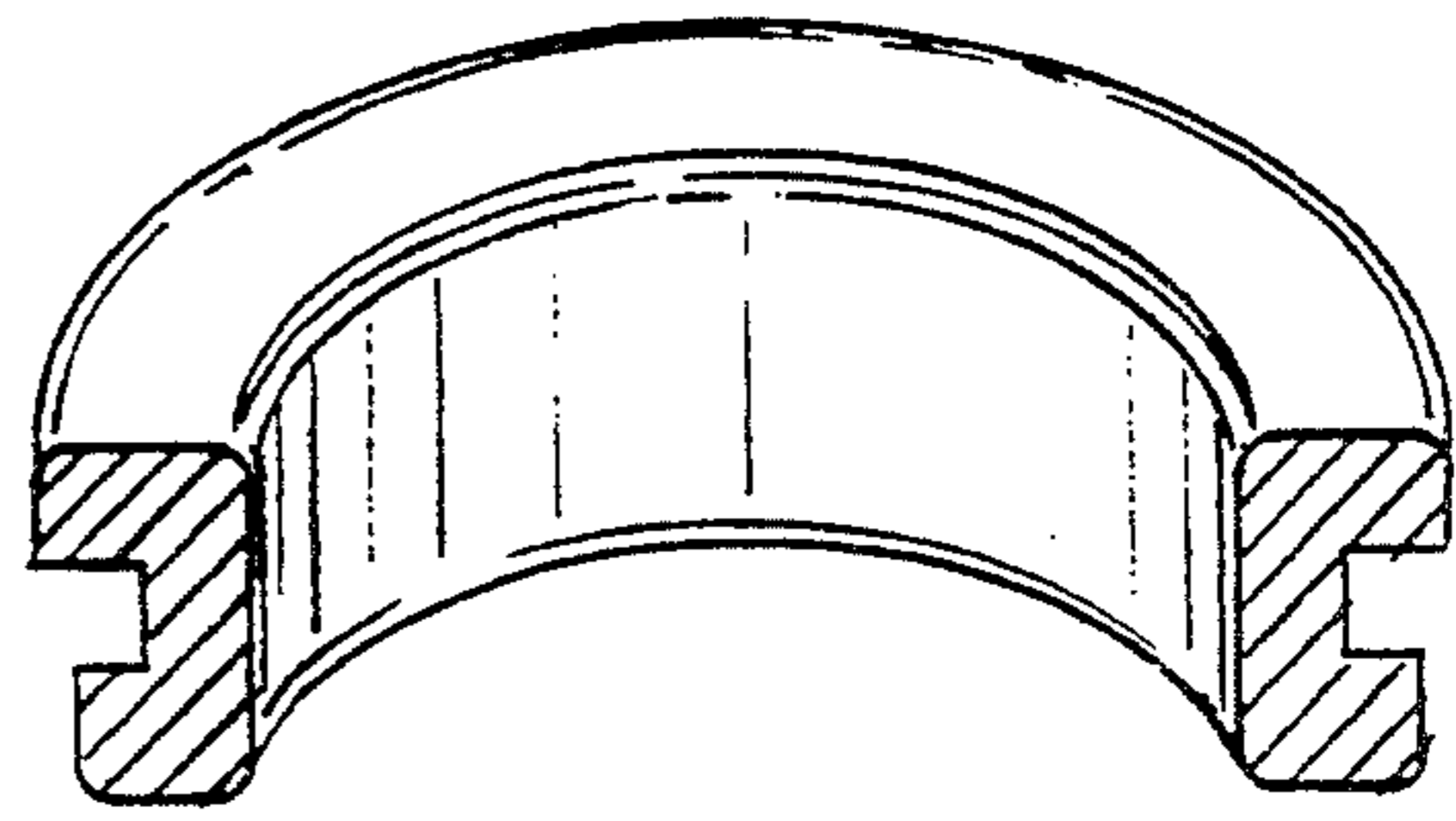


FIG. 2

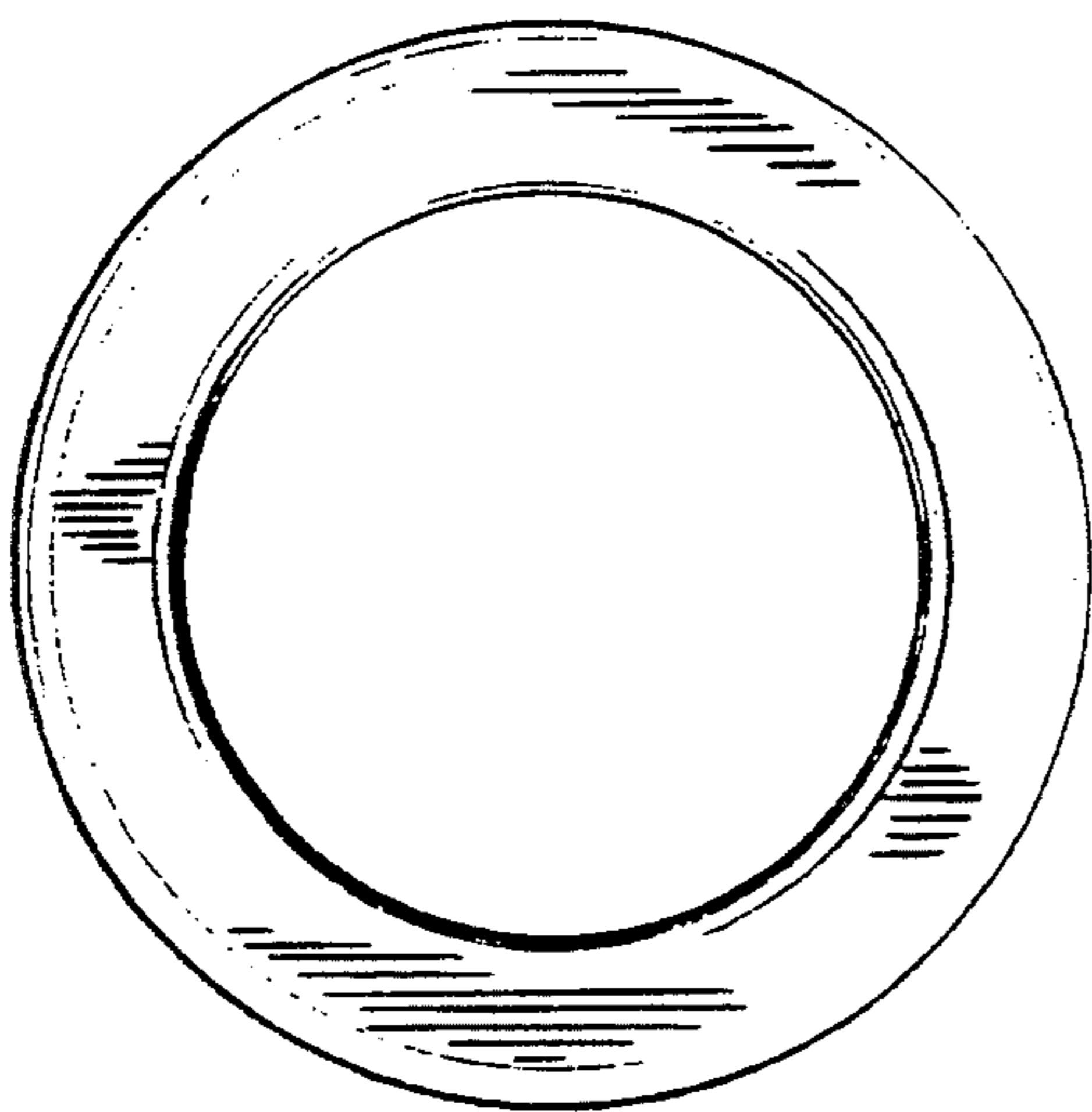


FIG. 3

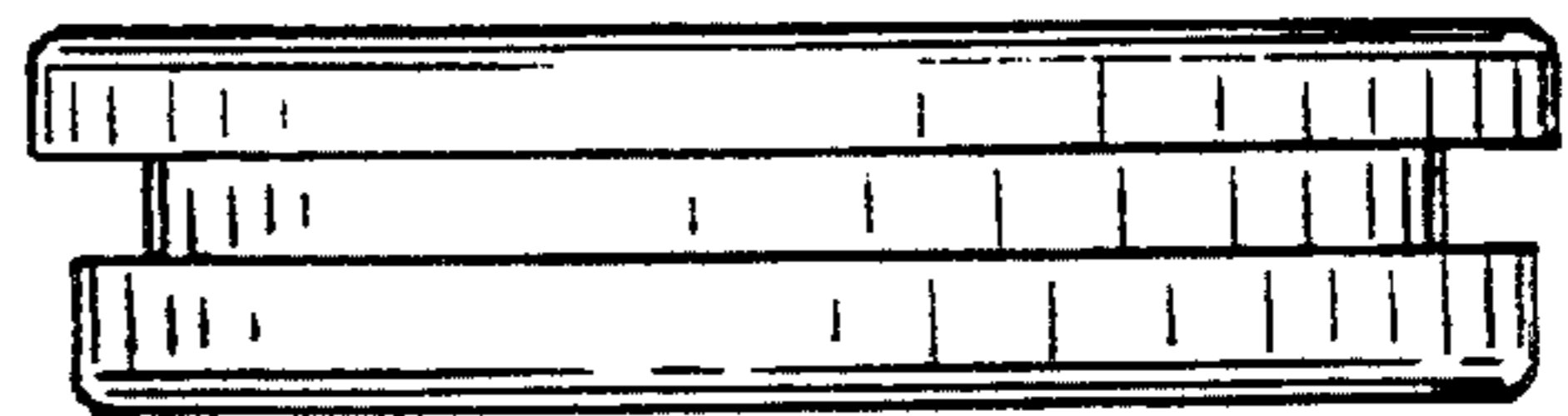


FIG. 4

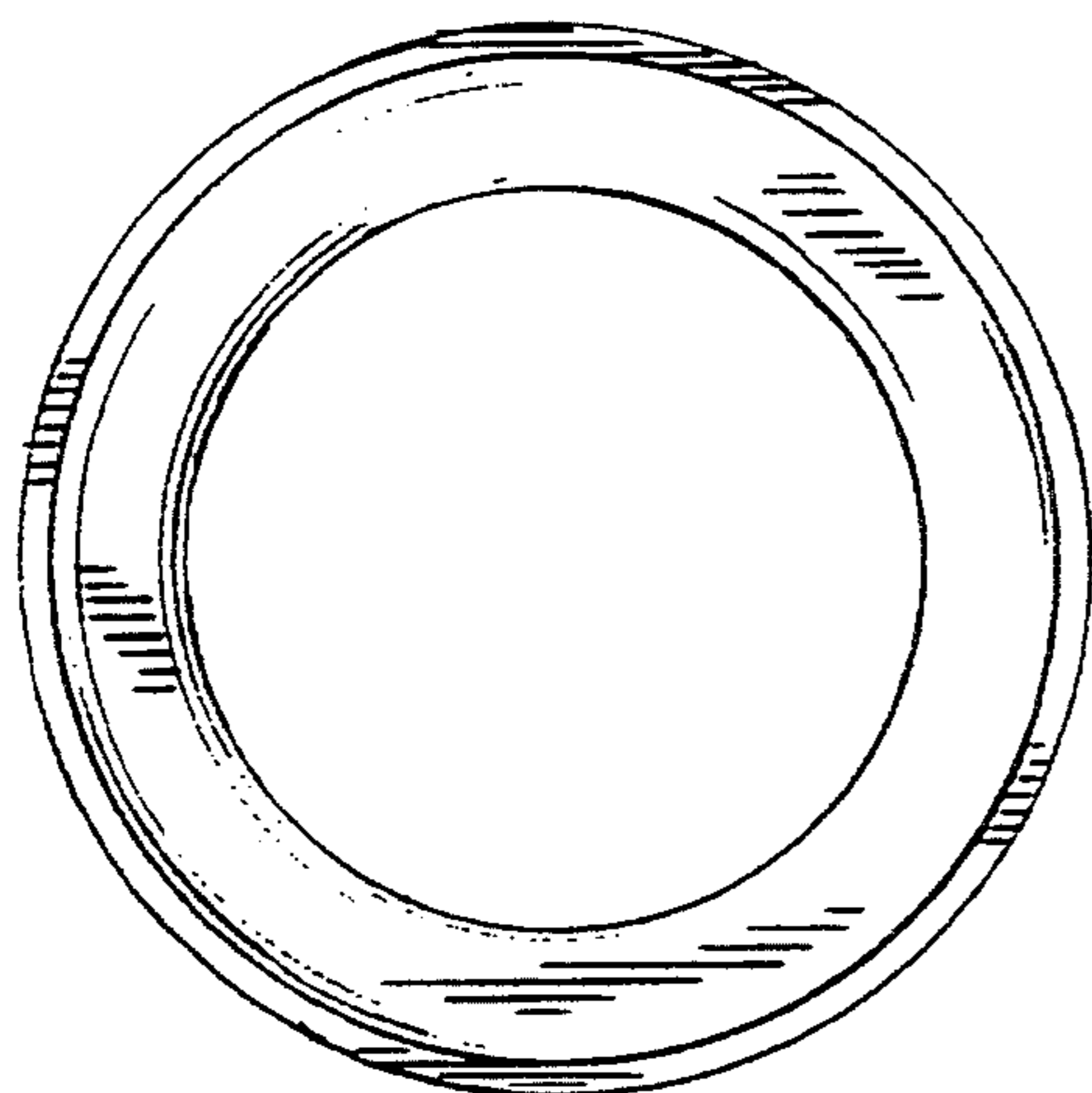


FIG. 5