



US00D359346S

United States Patent [19]

[11] Patent Number: **Des. 359,346**

Martin

[45] Date of Patent: **** Jun. 13, 1995**

[54] **DUAL COMPARTMENT AIR FRESHENER**

[75] Inventor: **John Martin**, Racine, Wis.

[73] Assignee: **S. C. Johnson & Son, Inc.**, Racine, Wis.

[**] Term: **14 Years**

[21] Appl. No.: **26,264**

[22] Filed: **Jul. 25, 1994**

[52] U.S. Cl. **D23/366; D26/26**

[58] Field of Search **D23/366-369; 362/226; 392/390, 392, 403; D11/3, 6, 18; 239/58, 59, 60; D26/26, 118, 121; 422/305**

[56] **References Cited**

U.S. PATENT DOCUMENTS

D. 269,695	7/1983	O'Neil, Jr.	D23/369
D. 332,488	1/1993	Martin	D23/367
D. 345,787	4/1994	Martin	D23/366
D. 345,789	4/1994	Martin	D23/367
D. 346,207	4/1994	Martin	D23/367
2,611,068	9/1952	Wellens	422/305
2,691,716	10/1954	Wellens	392/392
4,220,281	9/1980	Martens et al.	239/57
4,270,692	6/1981	Webinger	239/59
4,849,606	7/1989	Martens et al.	392/390

FOREIGN PATENT DOCUMENTS

21903-04	3/1992	Benelux TM/Des. Off. .
21903-03	3/1992	Benelux TM/Des. Off. .
21903-02	3/1992	Benelux TM/Des. Off. .
21903-01	3/1992	Benelux TM/Des. Off. .
4001138	3/1988	Brazil .
46922	5/1980	Canada .

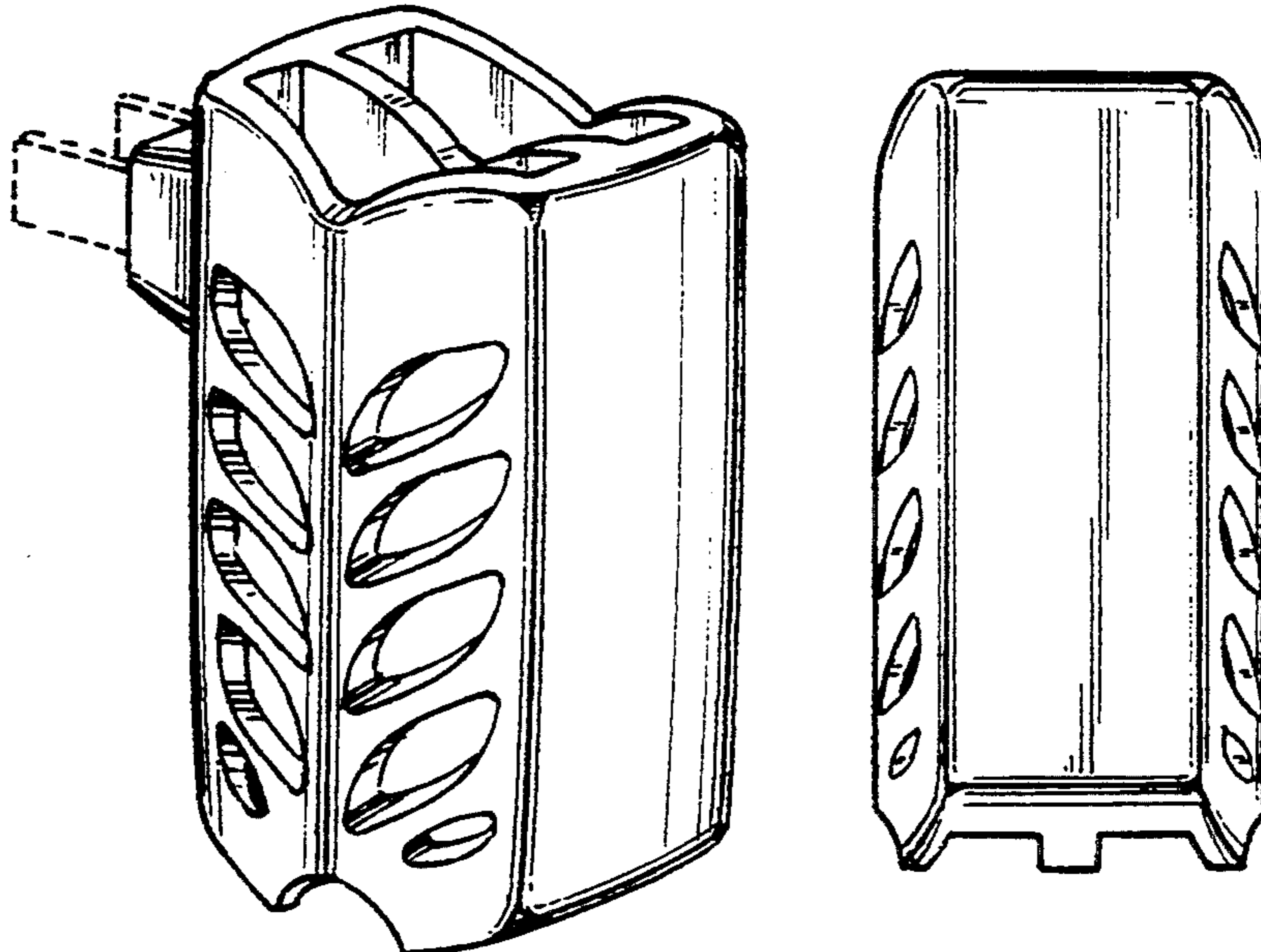
Primary Examiner—Lisa P. Lichtenstein
Attorney, Agent, or Firm—J. William Frank, III

[57] **CLAIM**

The ornamental design for a dual compartment air freshener, as shown and described.

DESCRIPTION

FIG. 1 is a $\frac{3}{4}$ view of the dual compartment air freshener showing my new design;
FIG. 2 is a front view thereof;
FIG. 3 is a right side view thereof;
FIG. 4 is a back view thereof;
FIG. 5 is a left side view thereof;
FIG. 6 is a top plan view thereof; and,
FIG. 7 is a bottom plan view thereof.
The broken line showing of a plug in FIGS. 1, 2 and 4-7 is for illustrative purposes only and forms no part of the claimed design.



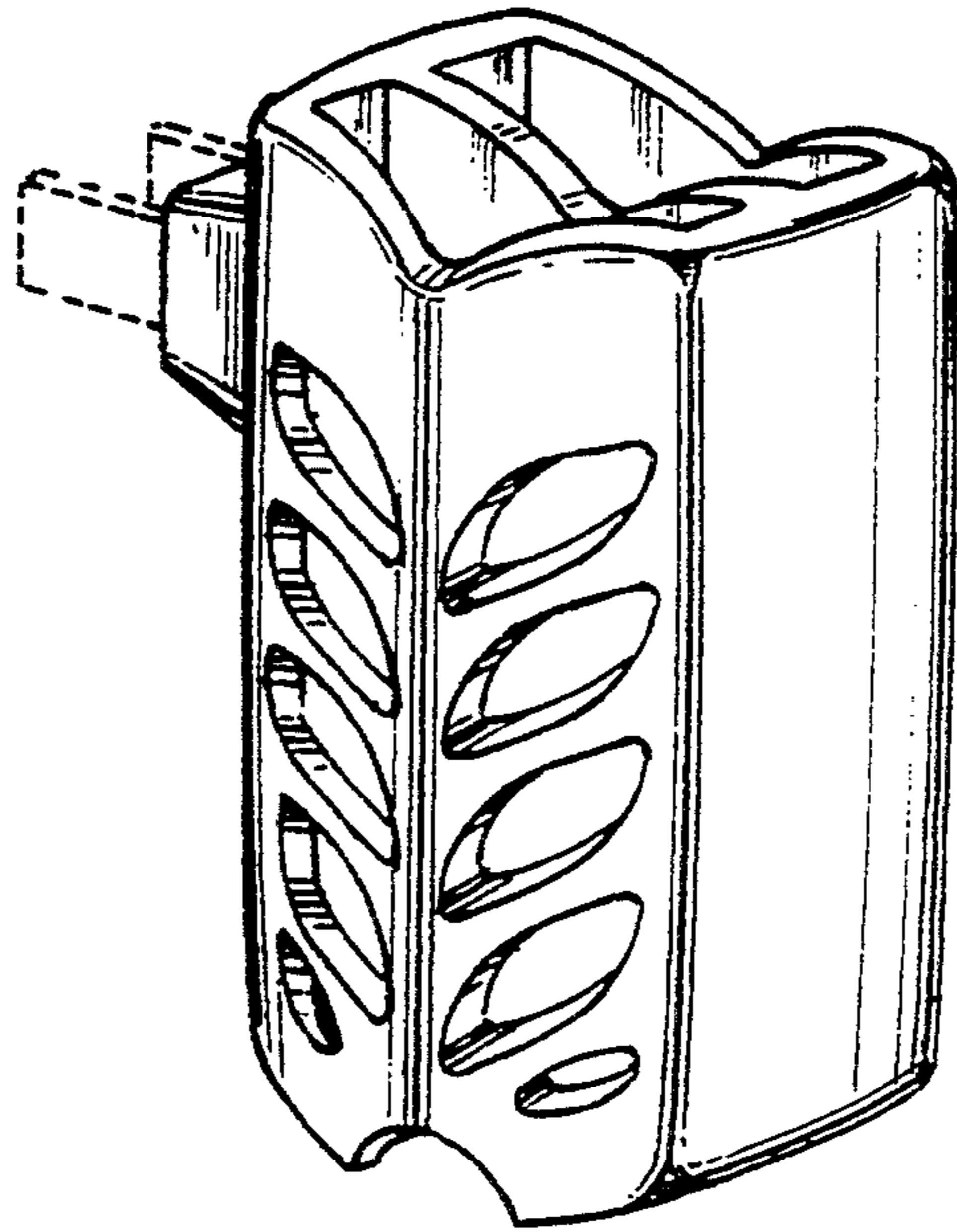


FIG. 1

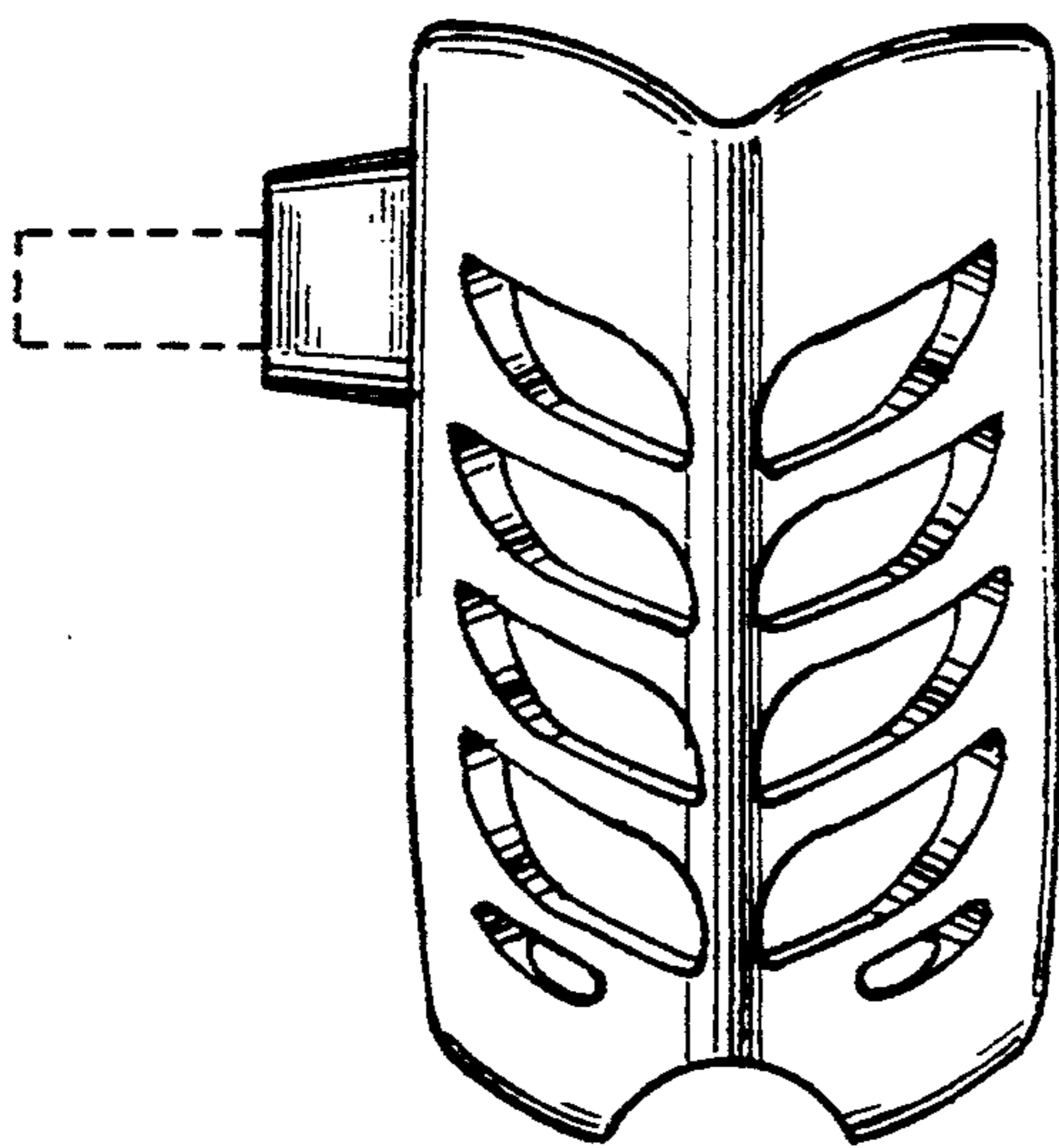


FIG. 2

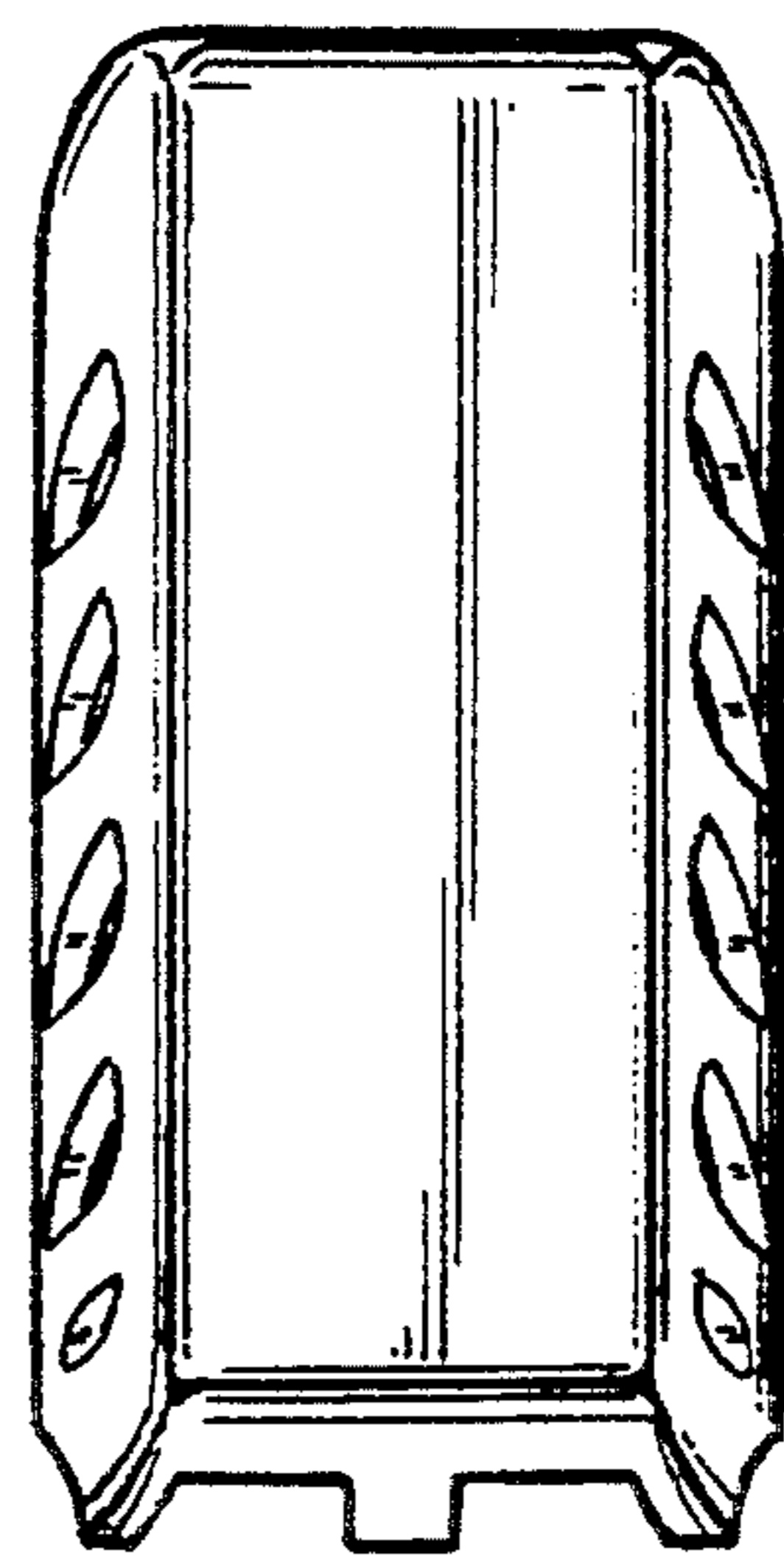


FIG. 3

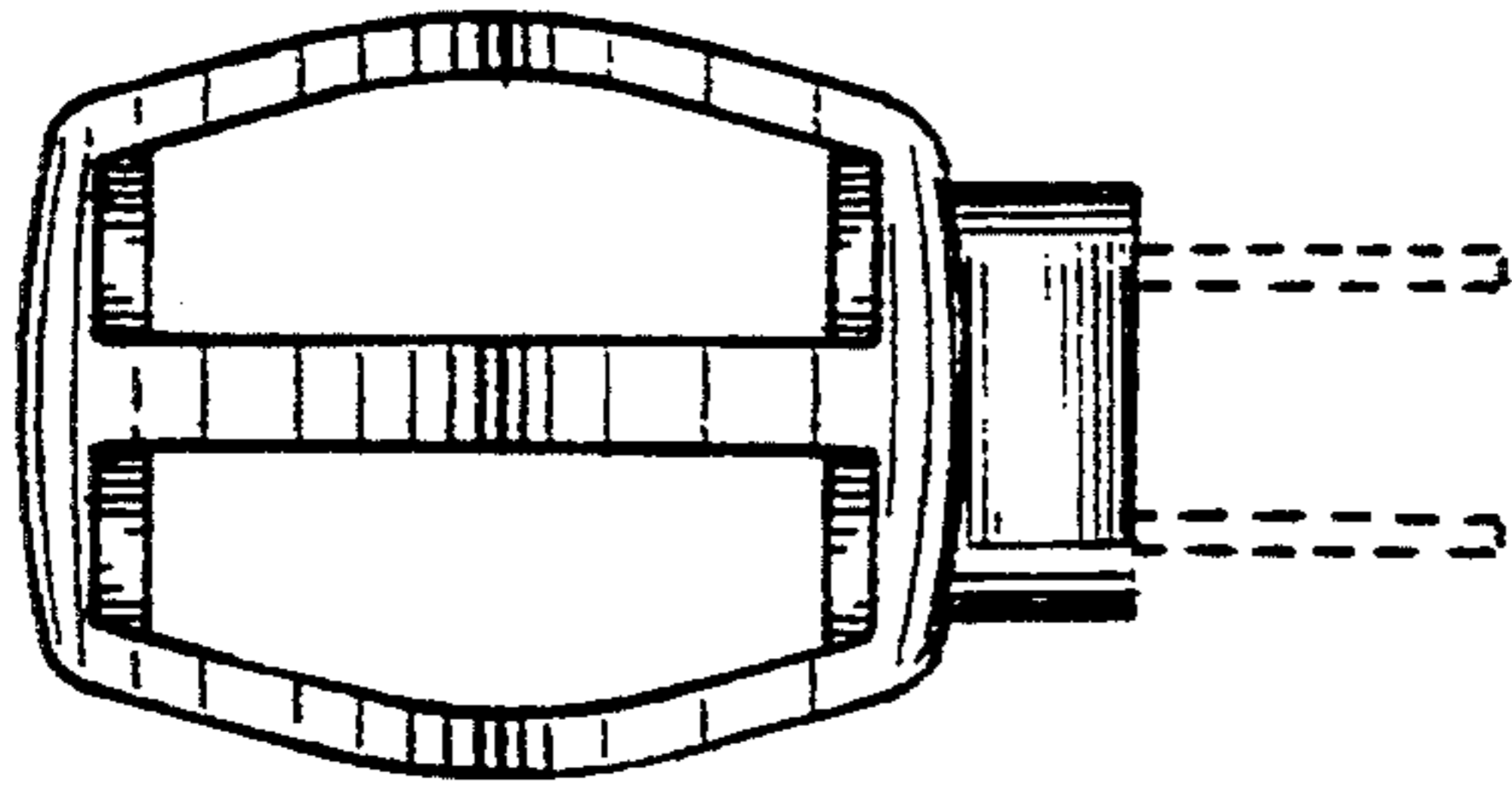


FIG. 6

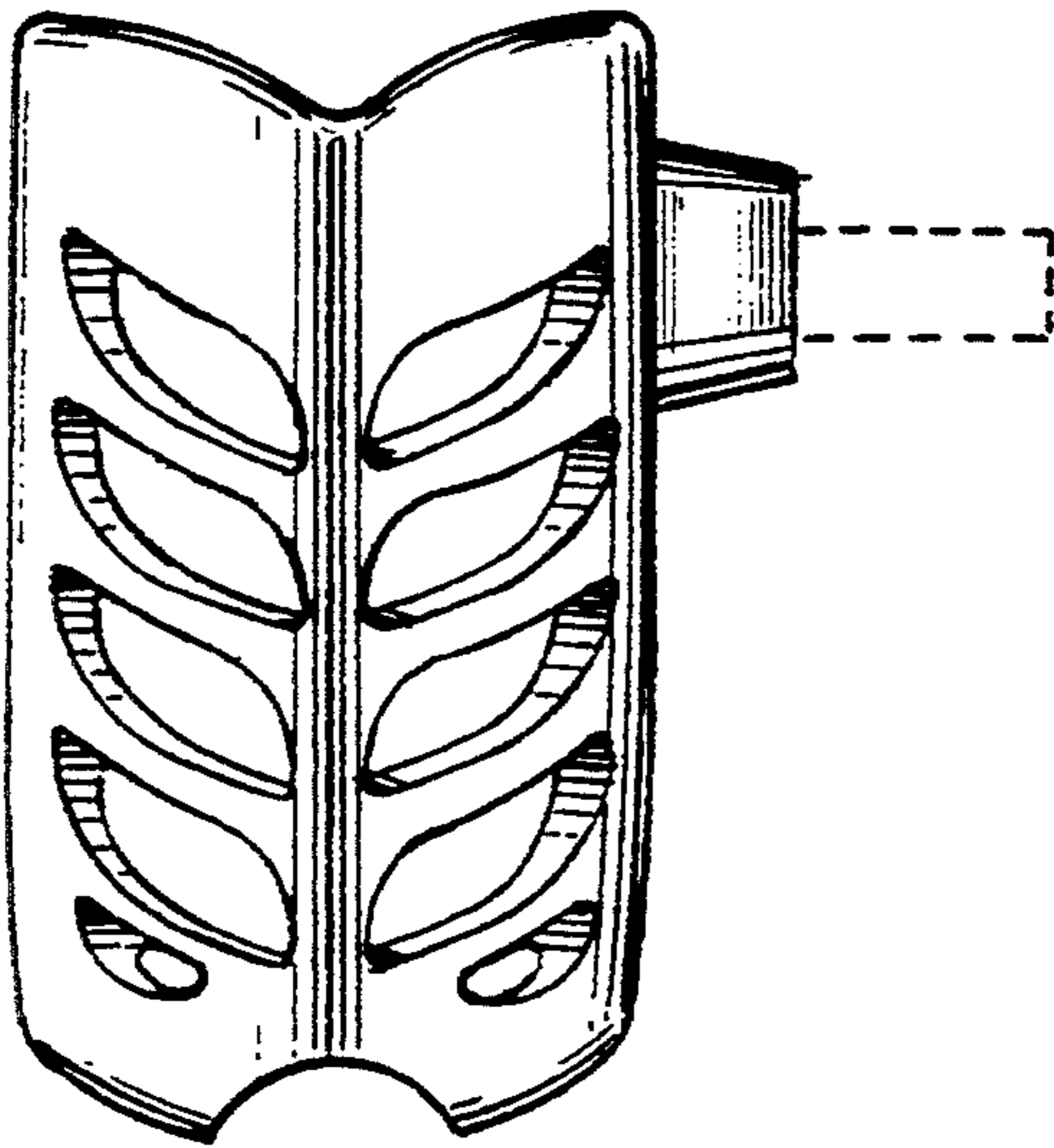


FIG. 4

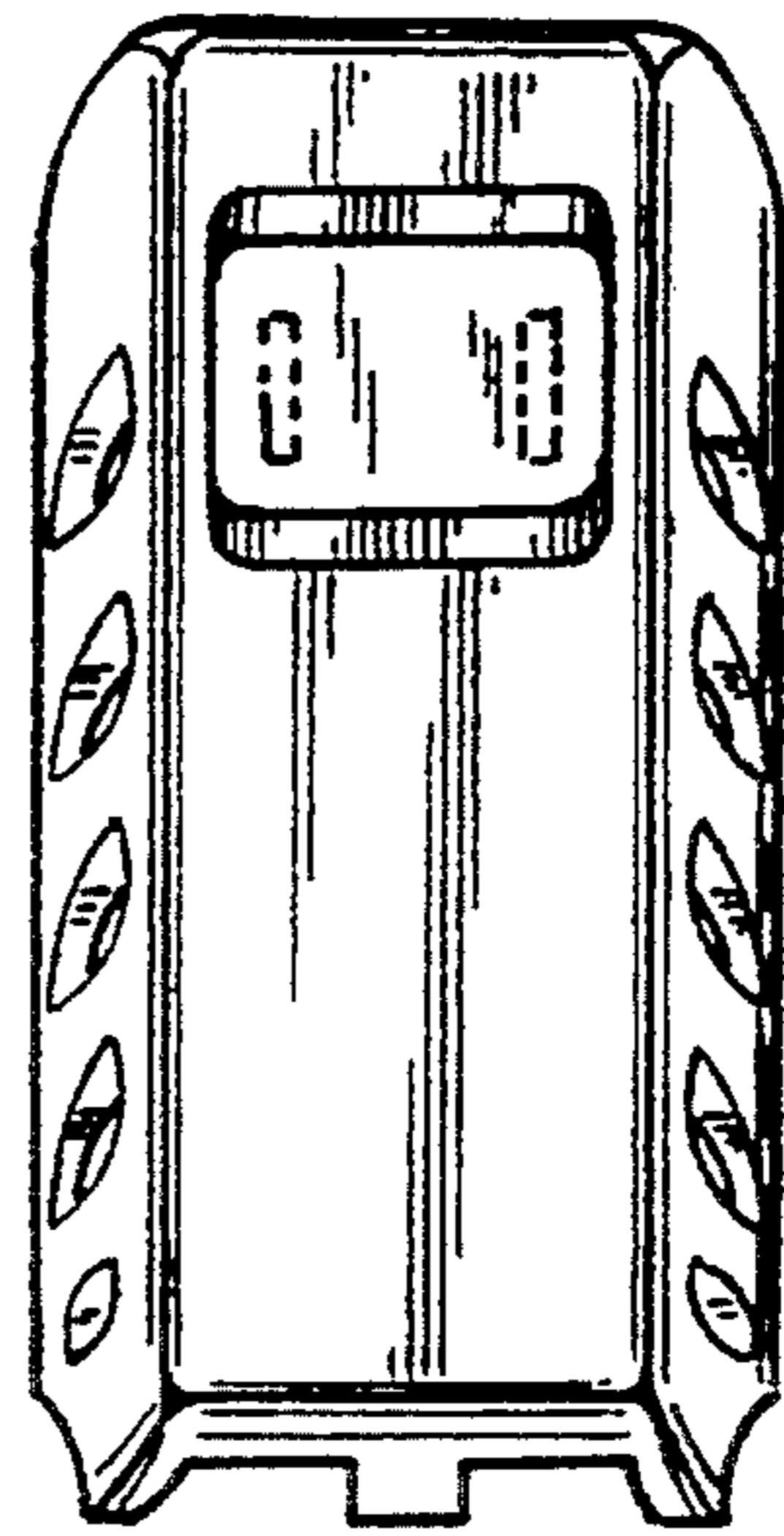


FIG. 5

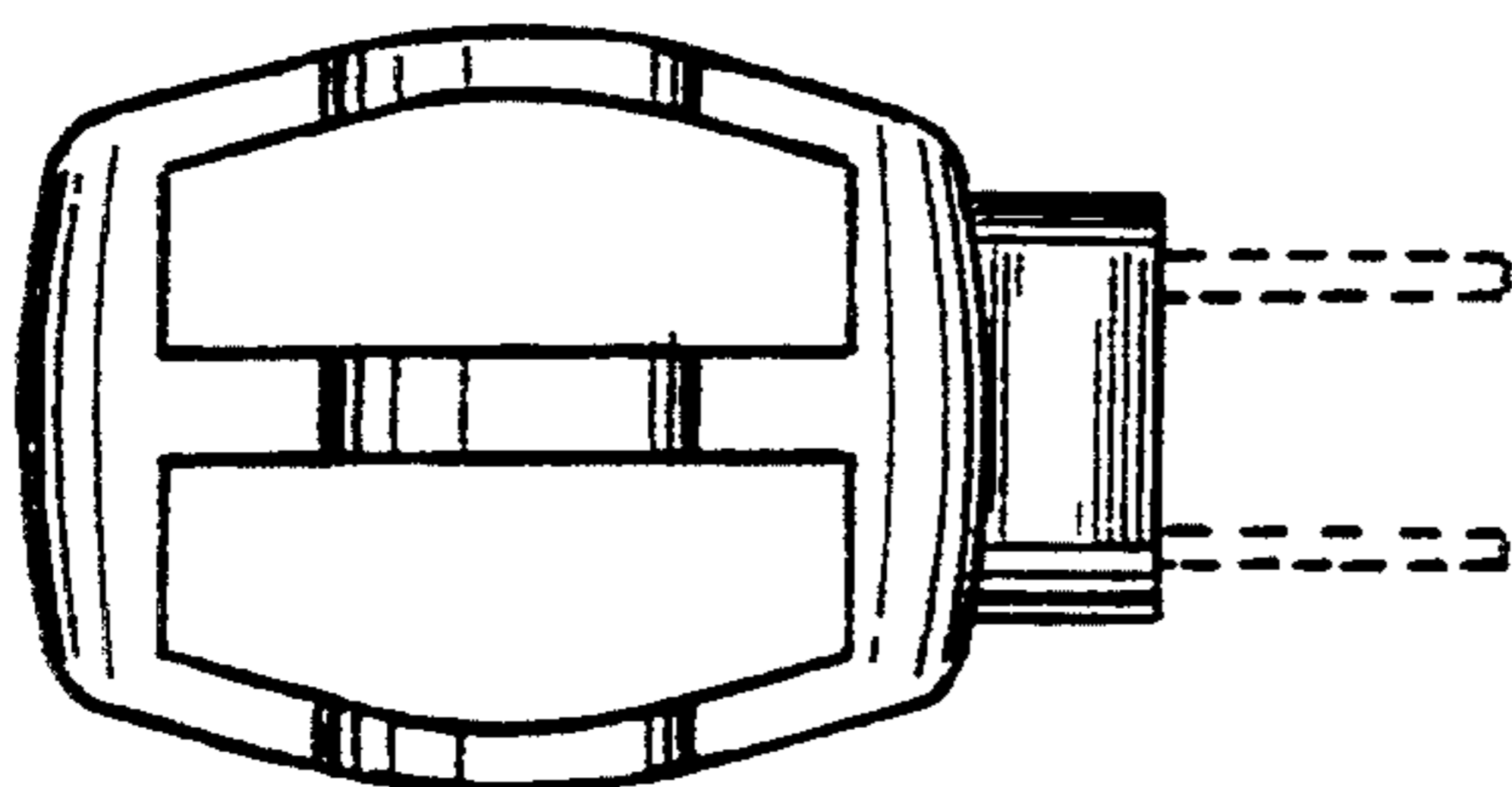


FIG. 7