



US00D359343S

United States Patent [19]

[11] Patent Number: **Des. 359,343**

Dawson

[45] Date of Patent: **** Jun. 13, 1995**

[54] **COMBINED SANITARY COUPLING AND BALL VALVE**

3,561,730	2/1971	Hurst	251/152
3,779,513	12/1973	Levine	251/309
5,076,541	12/1991	Daghe et al.	251/309

[76] Inventor: **William G. Dawson**, 340 Chapeze La., Shepherdsville, Ky. 40165

Primary Examiner—A. Hugo Word
Assistant Examiner—Eric Watterson
Attorney, Agent, or Firm—Middleton & Reutlinger; David W. Carrithers

[**] Term: **14 Years**

[21] Appl. No.: **12,560**

[57] **CLAIM**

[22] Filed: **Sep. 3, 1993**

The ornamental design for a combined sanitary coupling and ball valve, as shown and described.

[52] U.S. Cl. **D23/262**

[58] Field of Search **D23/259-269, D23/233-237; 137/240, 412, 801; 251/147, 148, 152, 309**

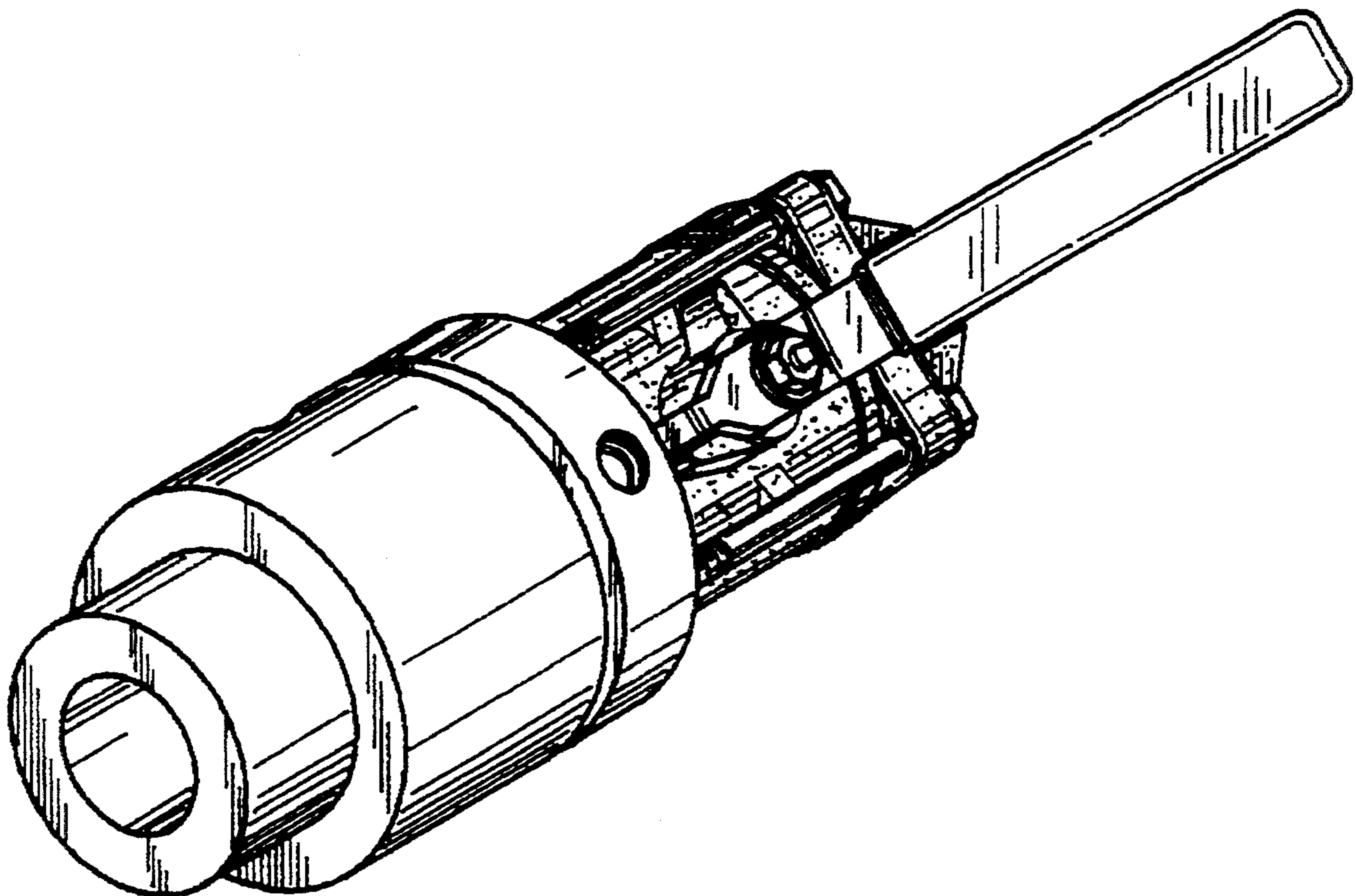
DESCRIPTION

[56] **References Cited**

U.S. PATENT DOCUMENTS

D. 321,928	11/1991	Milo	D23/245
1,725,337	5/1928	Burkhead	.
2,457,418	4/1946	Turpin	.
3,228,412	1/1966	Peterson	.

FIG. 1 is a perspective view of a combined sanitary coupling and ball valve showing my new design; FIG. 2 is front elevational view thereof; FIG. 3 is a side elevational view thereof; FIG. 4 is a top plan view thereof; FIG. 5 is bottom plan view thereof; FIG. 6 is a rear elevational view thereof; and, FIG. 7 is an opposite side elevational view thereof.



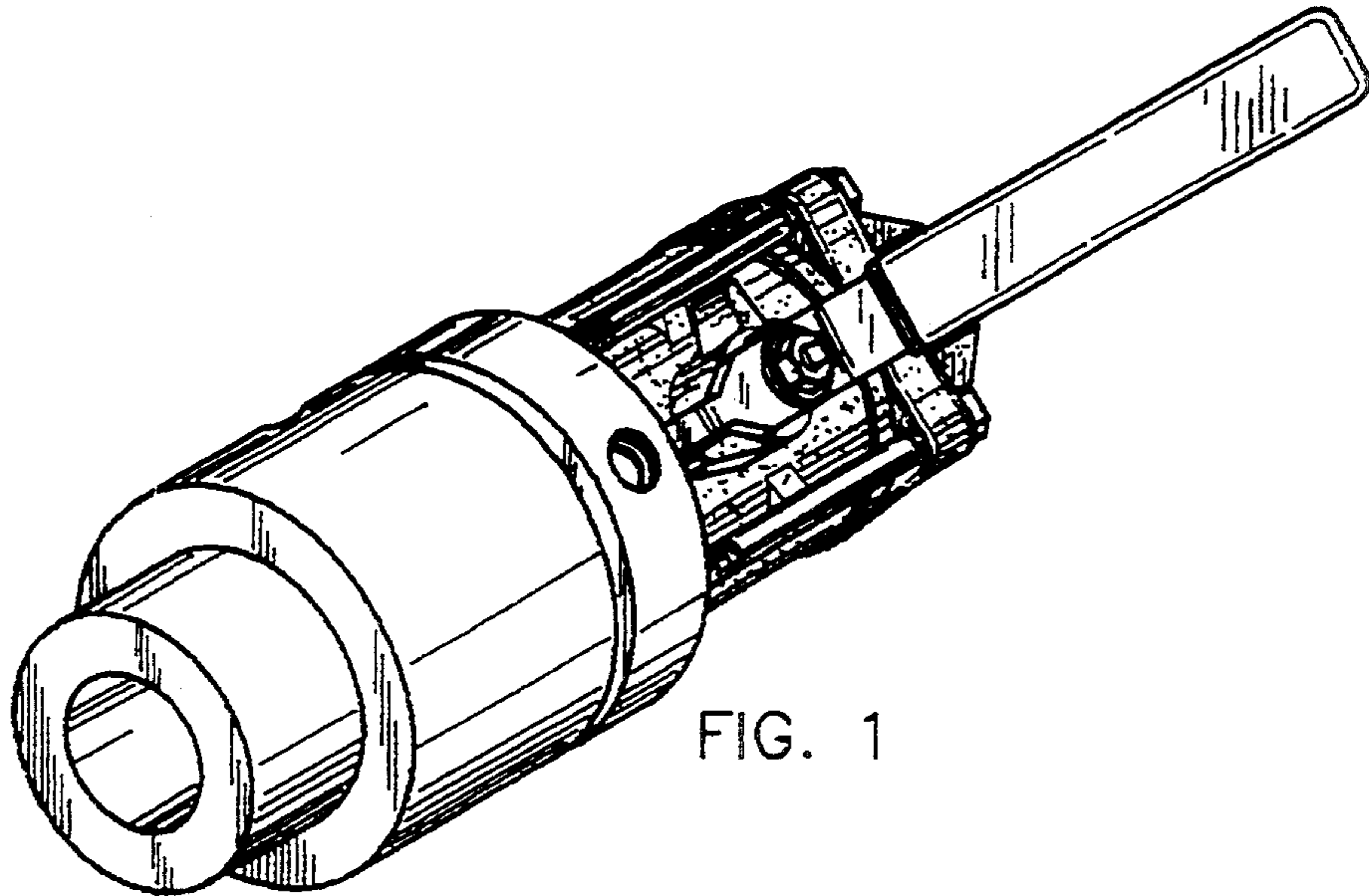


FIG. 1

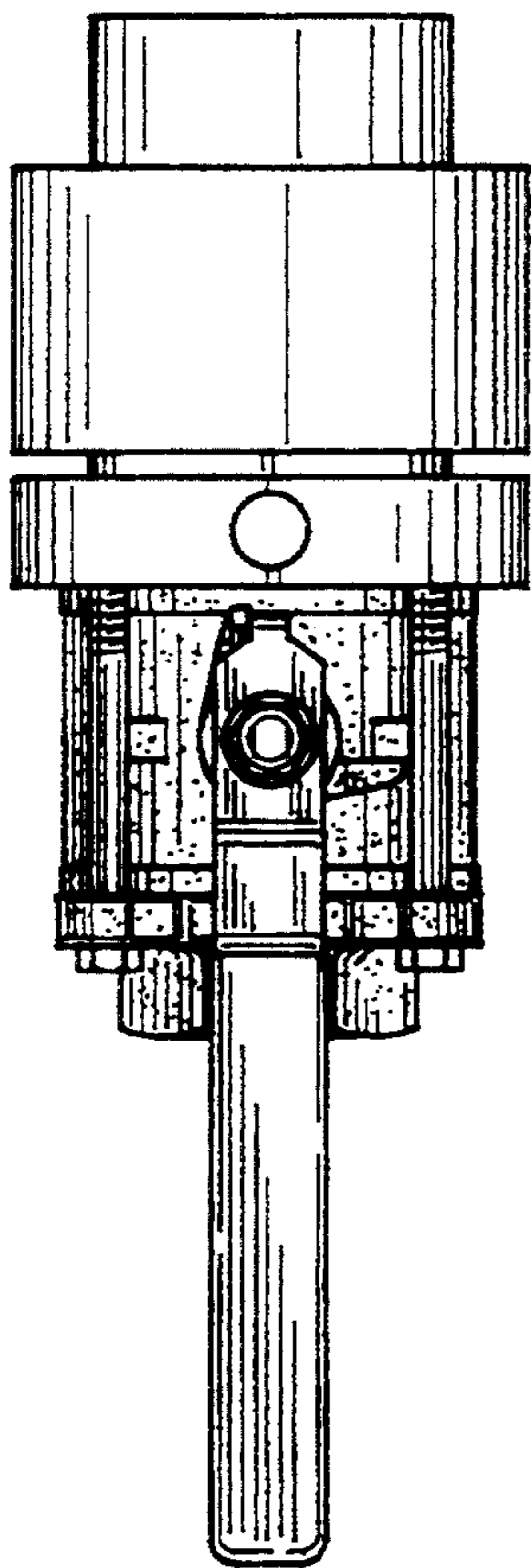


FIG. 2

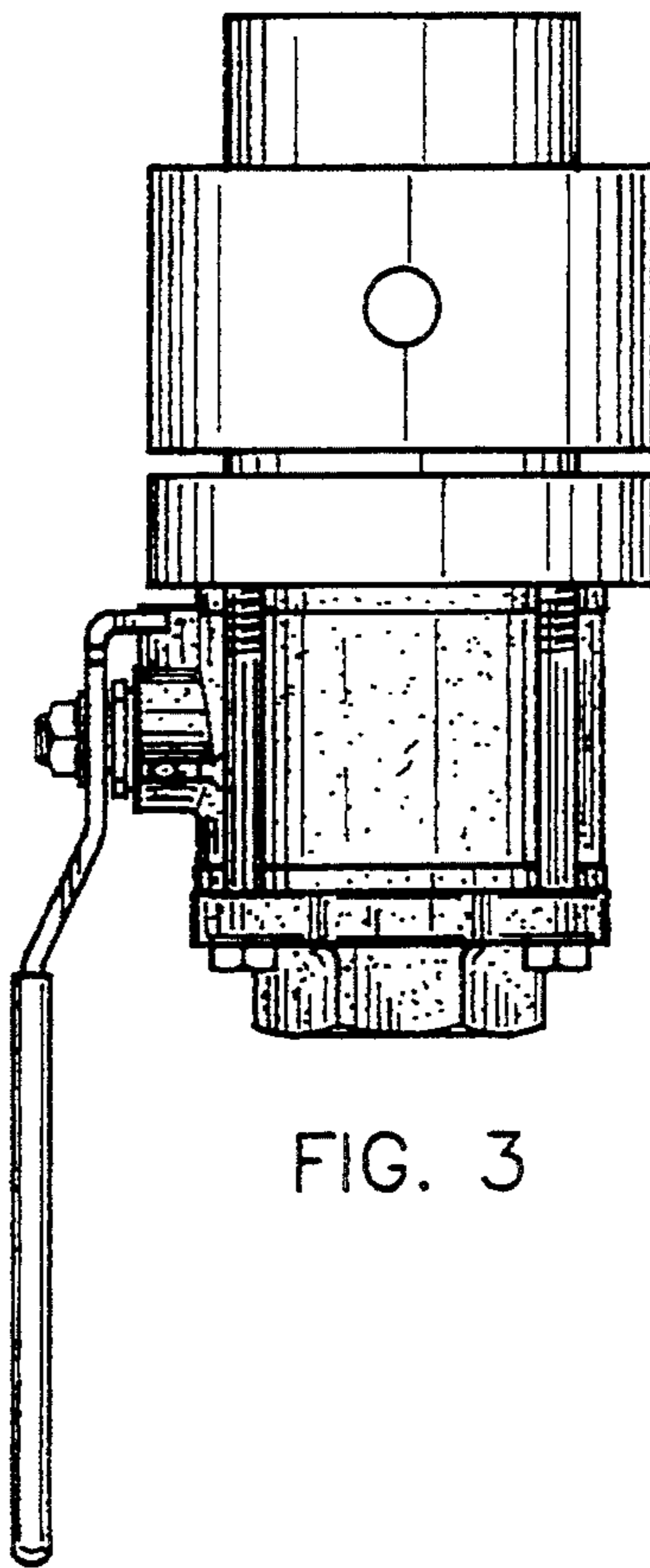


FIG. 3

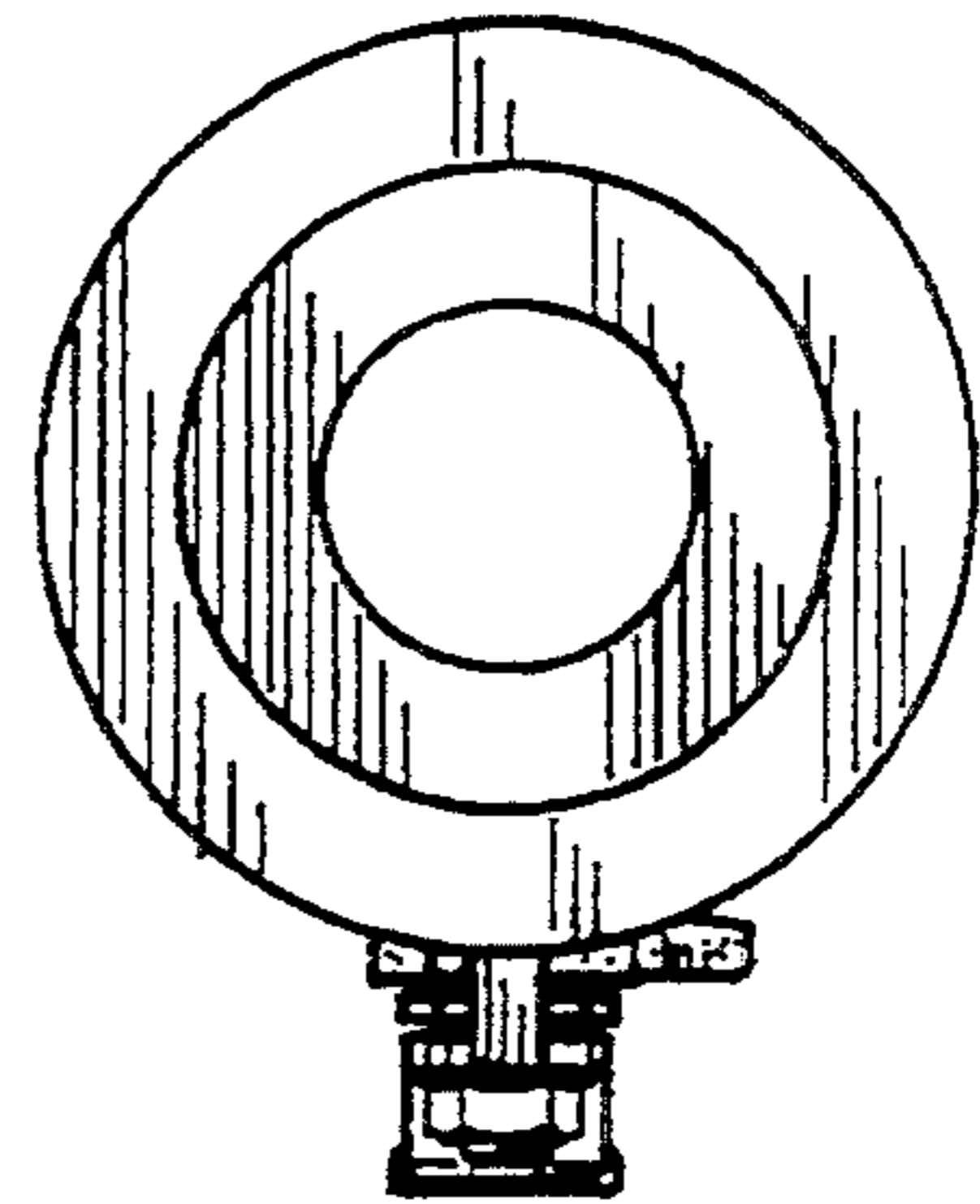


FIG. 4

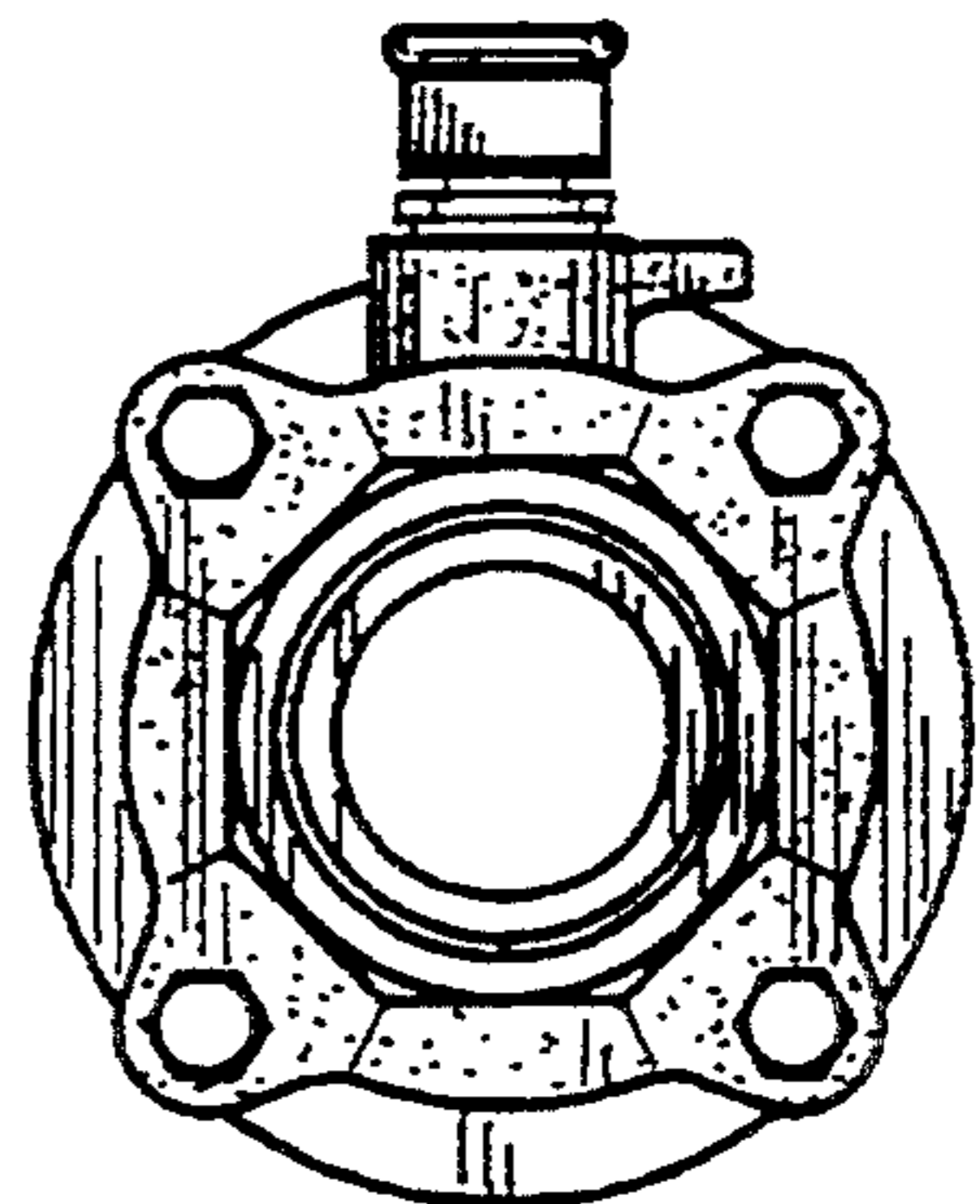


FIG. 5

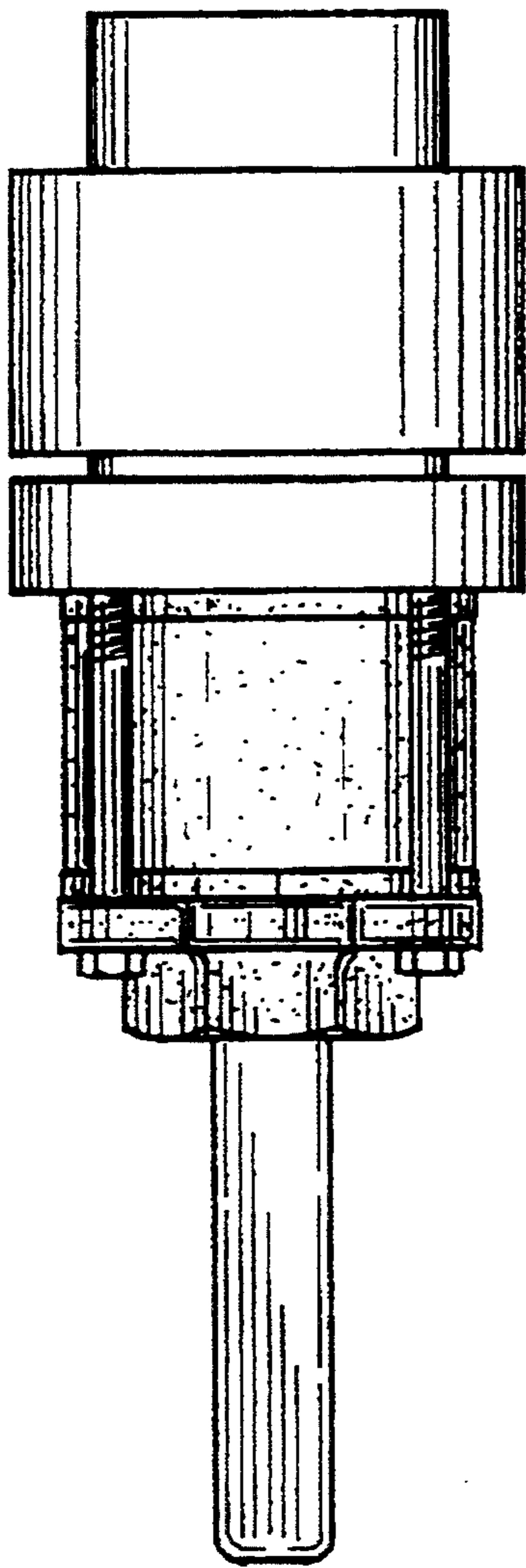


FIG. 6

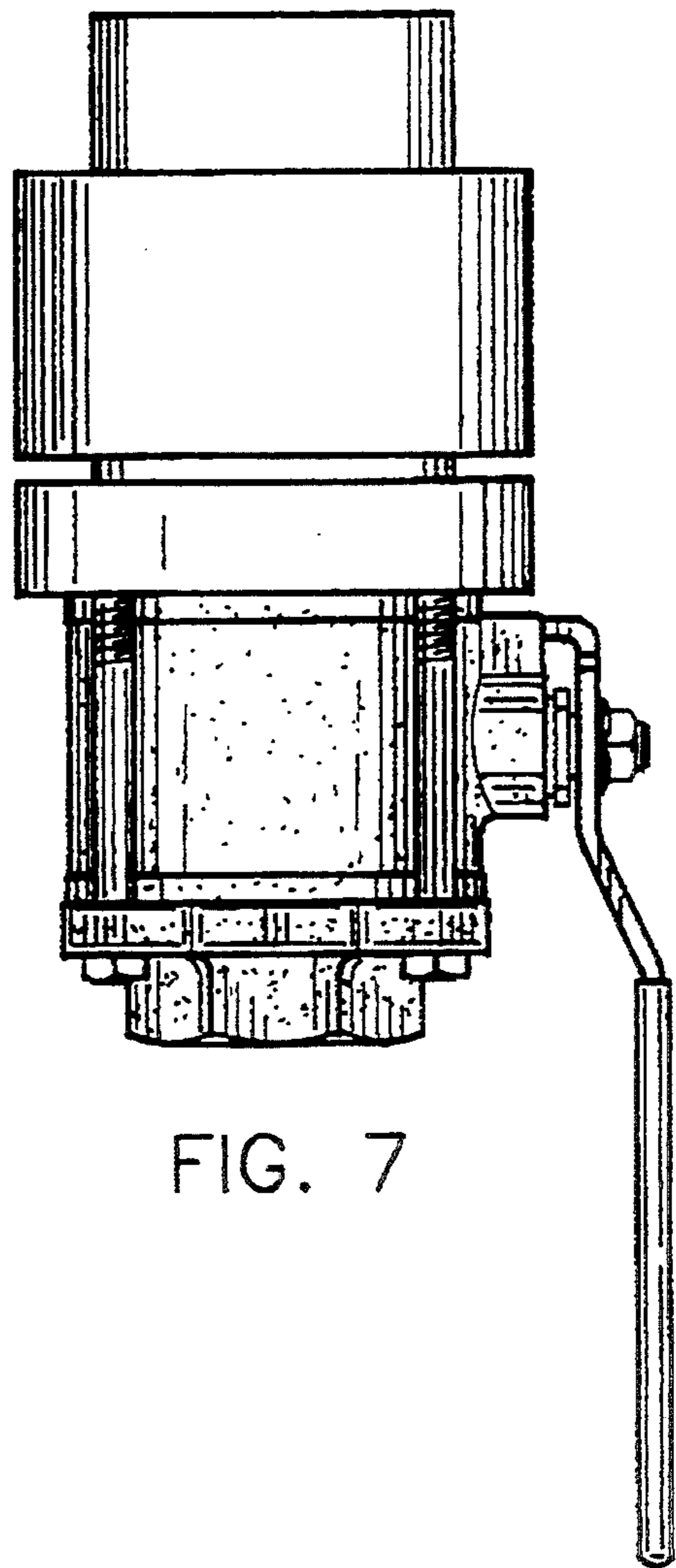


FIG. 7