



US00D359342S

# United States Patent [19]

[11] Patent Number: **Des. 359,342**

Doughty et al.

[45] Date of Patent: **\*\* Jun. 13, 1995**

[54] FAUCET

[75] Inventors: **Frederic C. Doughty**, S. Pasadena;  
**Darren M. Mark**, Castaic, both of Calif.

[73] Assignee: **Emhart Inc.**, Newark, Del.

[\*\*] Term: **14 Years**

[21] Appl. No.: **18,178**

[22] Filed: **Jan. 31, 1994**

[52] U.S. Cl. .... **D23/241**

[58] Field of Search ..... **D23/238-243,**  
**D23/255-258; 4/675-678; 137/801**

[56] **References Cited**

**U.S. PATENT DOCUMENTS**

D. 203,246	12/1965	Harvey	.....	D23/238
D. 219,779	1/1971	Tiller	.....	D23/238
D. 235,546	6/1975	Landell	.	
D. 258,519	3/1981	Thevenot	.	
D. 284,993	8/1986	Yost	.	
D. 290,492	6/1987	Hill et al.	.....	D23/238

D. 321,750 11/1991 Spangler .

D. 340,506 10/1993 Sauter .

4,804,010 2/1989 Meissenburg ..... 4/675 X

*Primary Examiner*—Stella Reid

*Assistant Examiner*—Eric Watterson

*Attorney, Agent, or Firm*—J. Bruce Hoofnagle

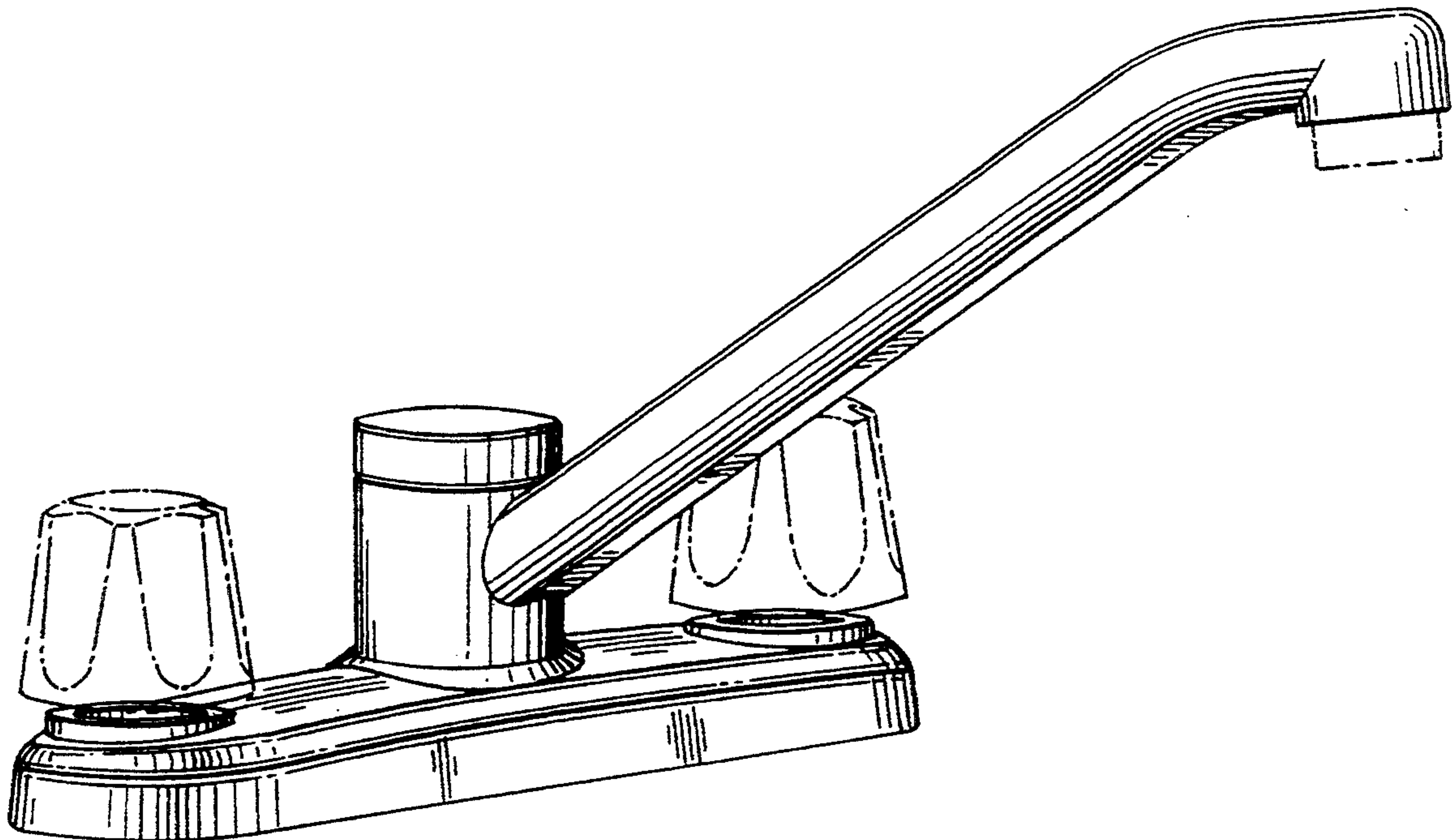
[57] **CLAIM**

The ornamental design for a faucet, as shown and described.

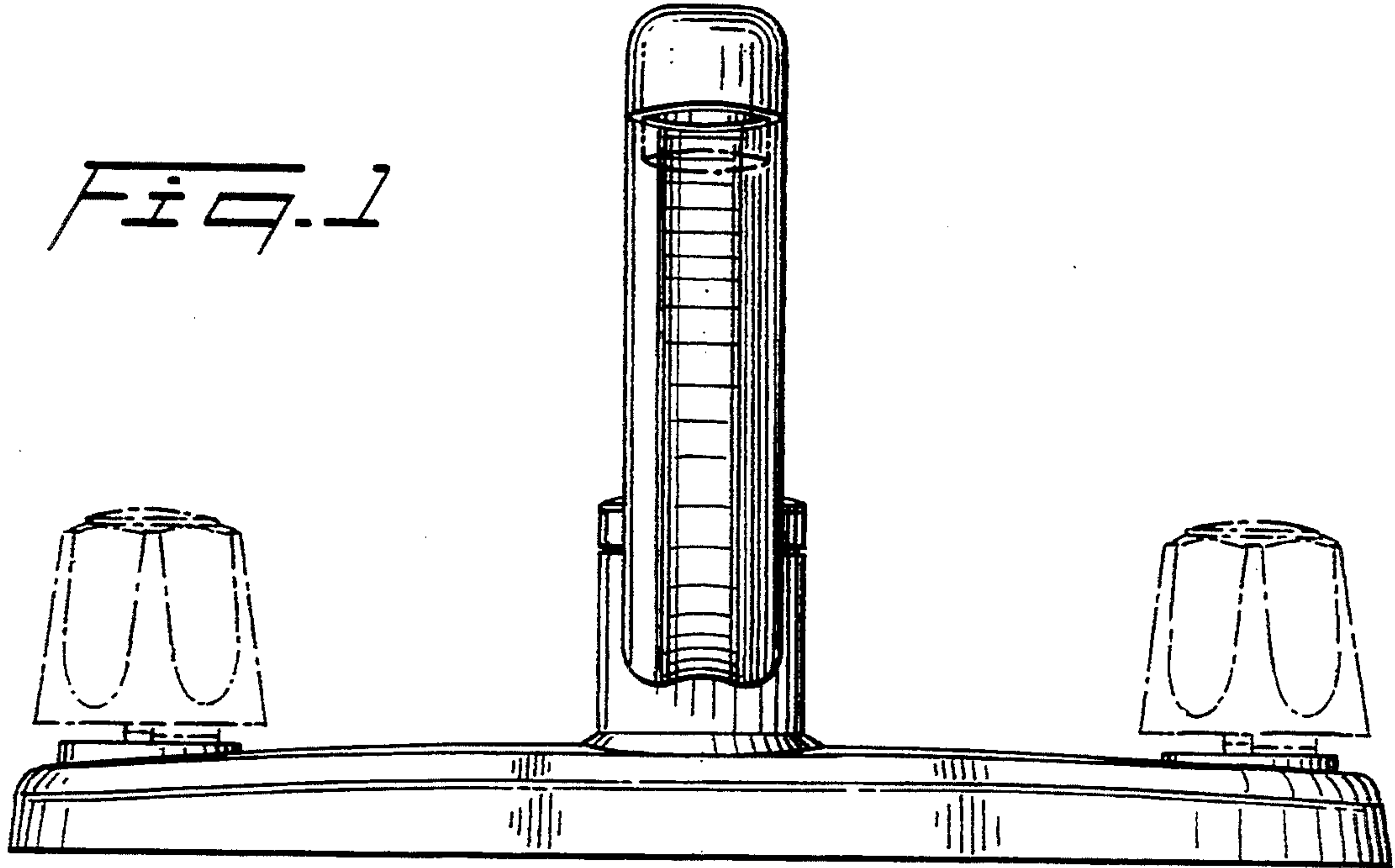
**DESCRIPTION**

FIG. 1 is a front view of our new design of a faucet; FIG. 2 is a rear view of our new design of the faucet; FIG. 3 is a top view of our new design of the faucet; FIG. 4 is a bottom view of our new design of the faucet; FIG. 5 is a left side view of our new design of the faucet, a right side view of our new design of the faucet being a mirror image of the left side view thereof; and, FIG. 6 is a perspective view of our new design of the faucet.

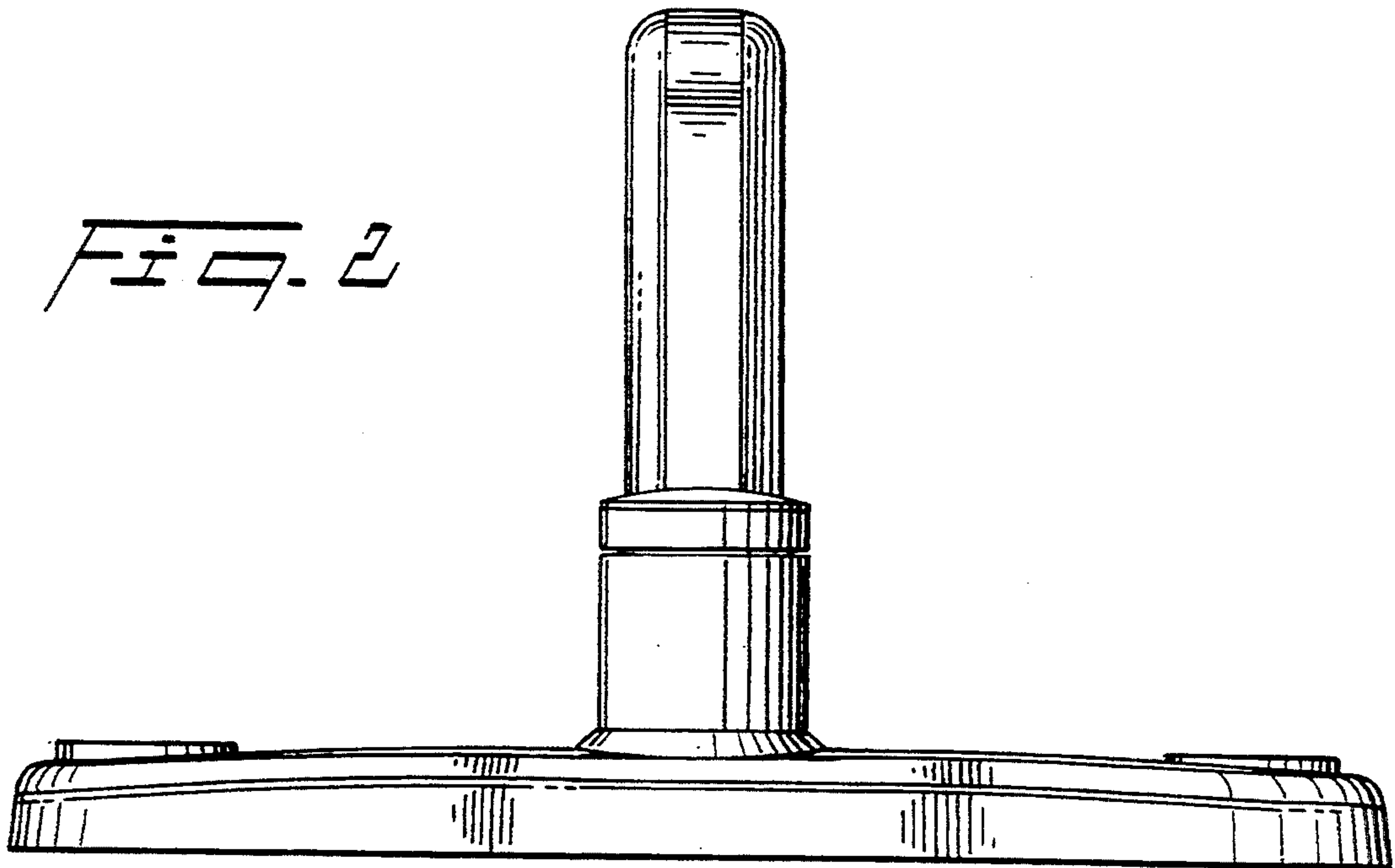
The broken line representation of knobs and an aerator in FIGS. 1 and 6 are for the purposes of illustration only and form no part of the claimed design.

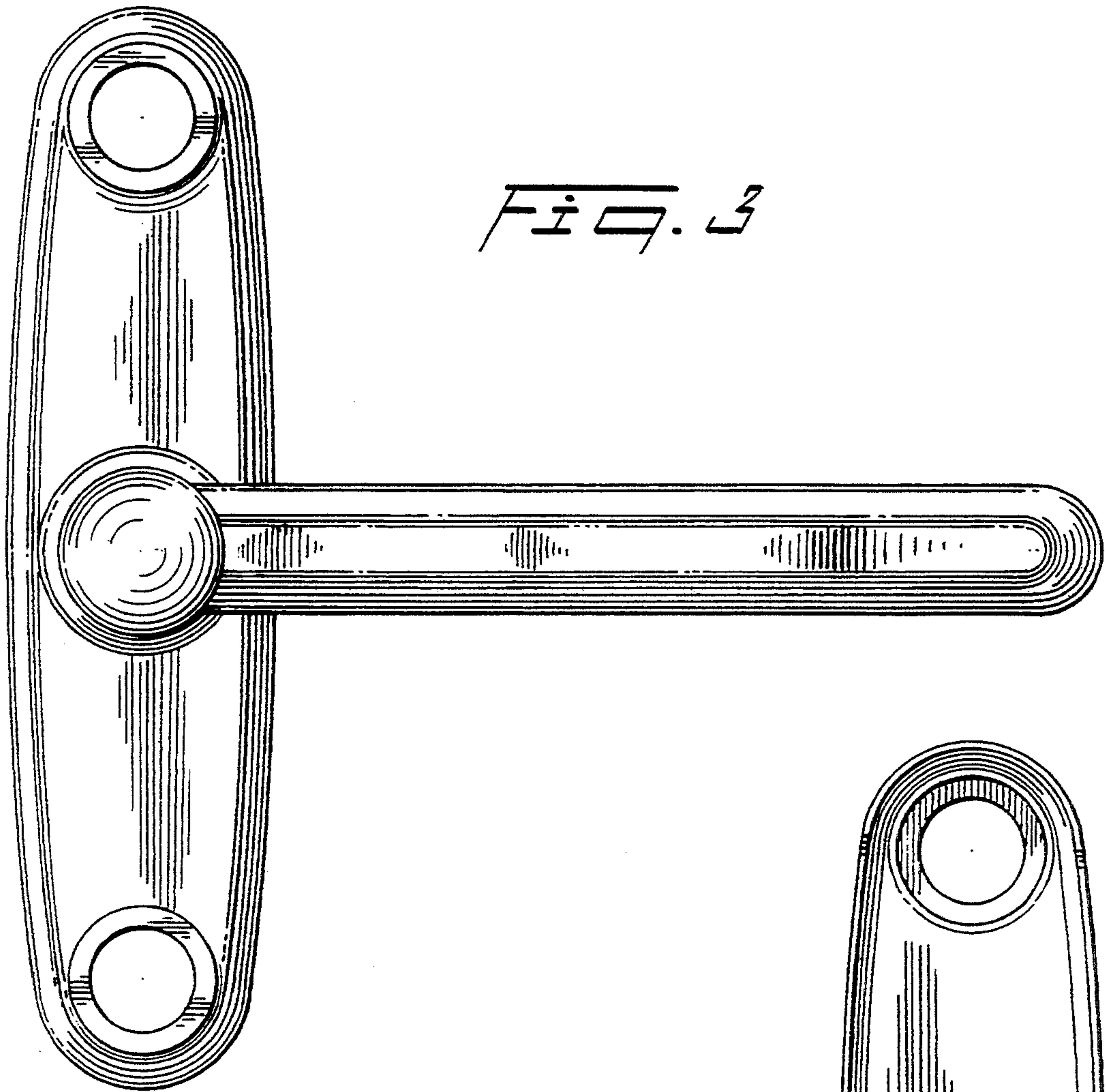


*Fig. 1*

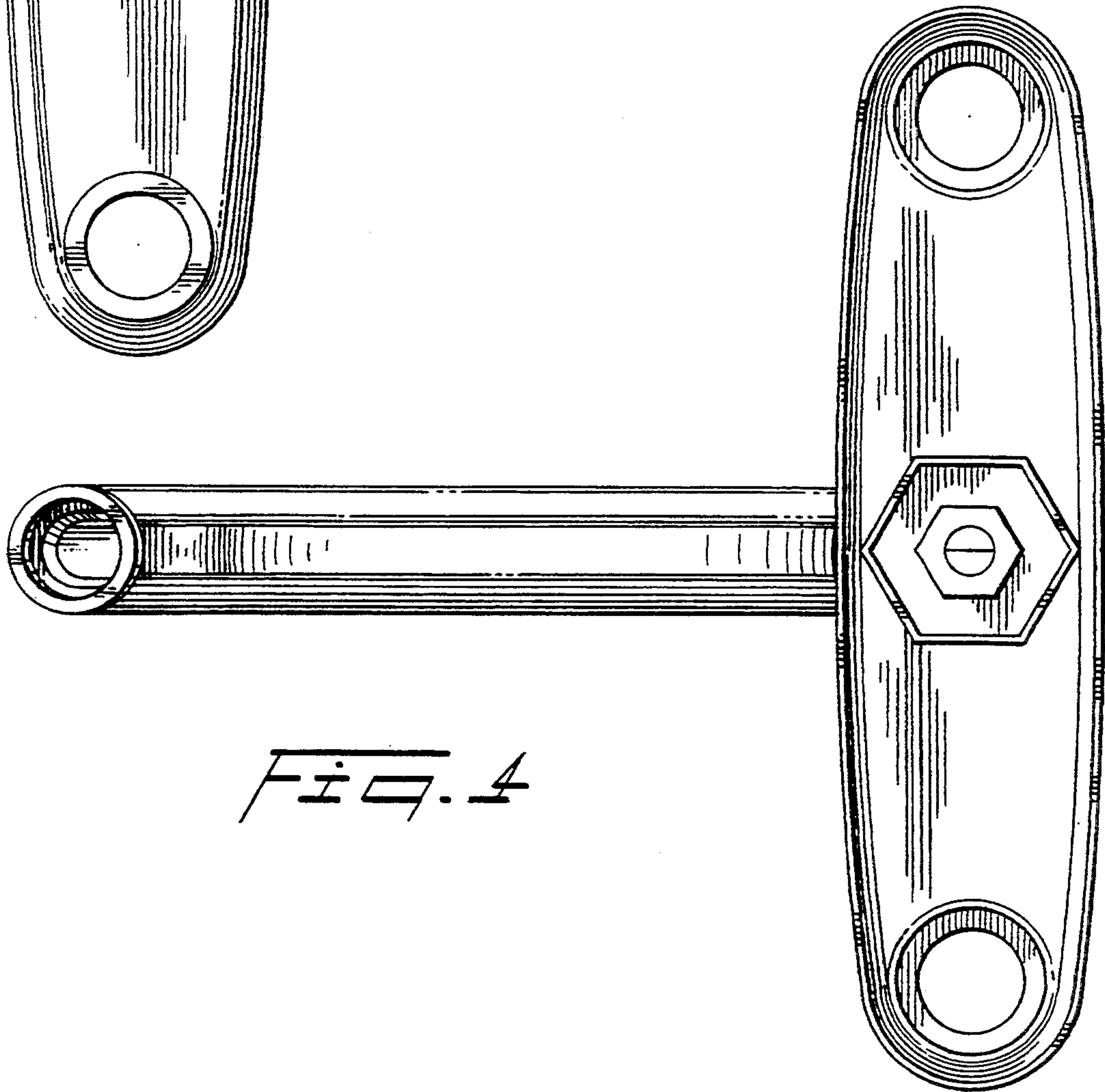


*Fig. 2*





*Fig. 3*



*Fig. 4*



Fig. 5

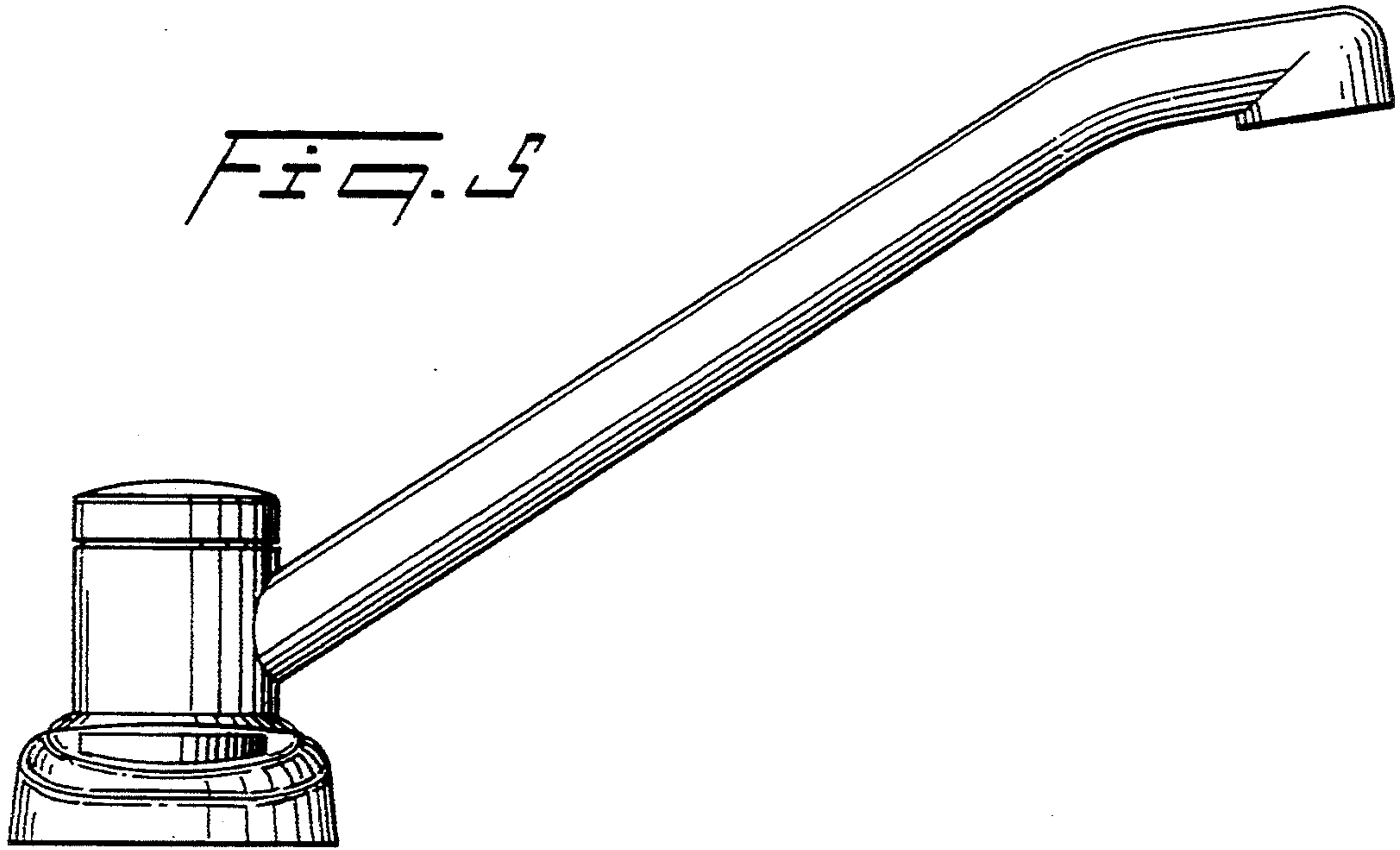


Fig. 6

