



US00D359340S

United States Patent [19]

Morgan et al.

[11] Patent Number: **Des. 359,340**

[45] Date of Patent: **** Jun. 13, 1995**

[54] **SPRAY NOZZLE FOR CLEANING THE INTERIOR OF TANKS**

[75] Inventors: **Stuart Morgan; Sean Morgan**, both of Mentone, Australia

[73] Assignee: **Spray Nozzle Engineering Ltd.**, Mentone, Australia

[**] Term: **14 Years**

[21] Appl. No.: **21,487**

[22] Filed: **Apr. 19, 1994**

[30] **Foreign Application Priority Data**

Oct. 19, 1993 [AU] Australia 3319/93

[52] U.S. Cl. **D23/213**

[58] Field of Search D23/213, 223-230; 239/300, 301, 302, 280-283, 456-460, 559, 596, 314

[56] **References Cited**

U.S. PATENT DOCUMENTS

- D. 188,023 5/1960 Boka et al. D23/213
- D. 293,812 1/1988 Roth D23/213
- 2,954,038 9/1960 Girard 239/559

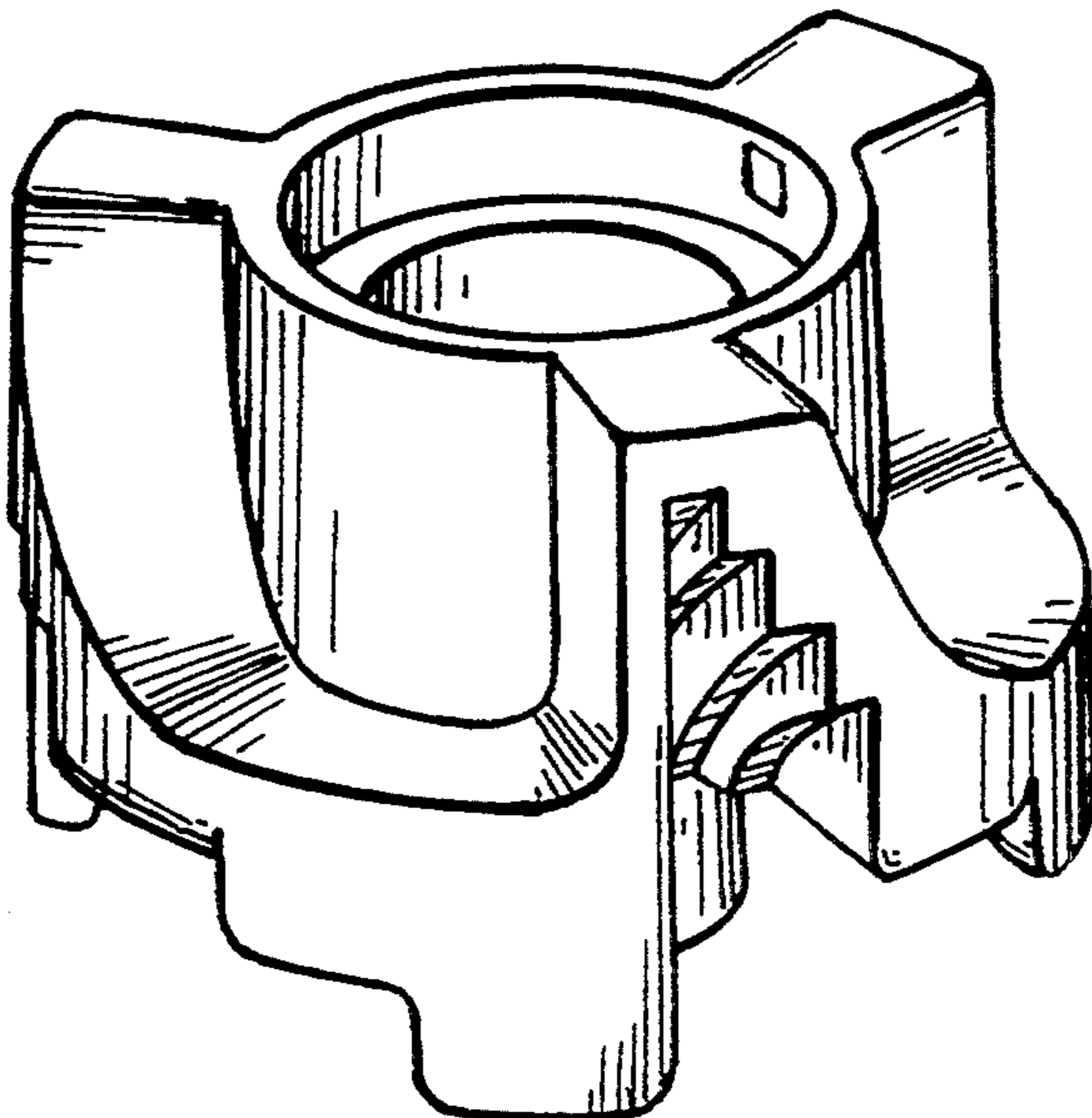
Primary Examiner—James M. Gandy
Assistant Examiner—Robin V. Taylor
Attorney, Agent, or Firm—Edwin D. Schindler

[57] **CLAIM**

The ornamental design for a spray nozzle for cleaning the interior of tanks, as shown and described.

DESCRIPTION

FIG. 1 is a top perspective view of the spray nozzle for cleaning the interior of tanks;
 FIG. 2 is a underneath perspective view of the spray nozzle for cleaning the interior of tanks;
 FIG. 3 is a plan view of the spray nozzle for cleaning the interior of tanks;
 FIG. 4 is a side elevation view in the direction of arrow 4 of FIG. 3;
 FIG. 5 is an underneath plan view of the spray nozzle for cleaning the interior of tanks;
 FIG. 6 is a side elevation view in the direction of arrow 6 of FIG. 3;
 FIG. 7 is a side elevation view in the direction of arrow 7 of FIG. 3;
 FIG. 8 is a section along line 8—8 of FIG. 7 looking in the direction of the arrows; and,
 FIG. 9 is a section along line 9—9 of FIG. 4 looking in the direction of the arrows.



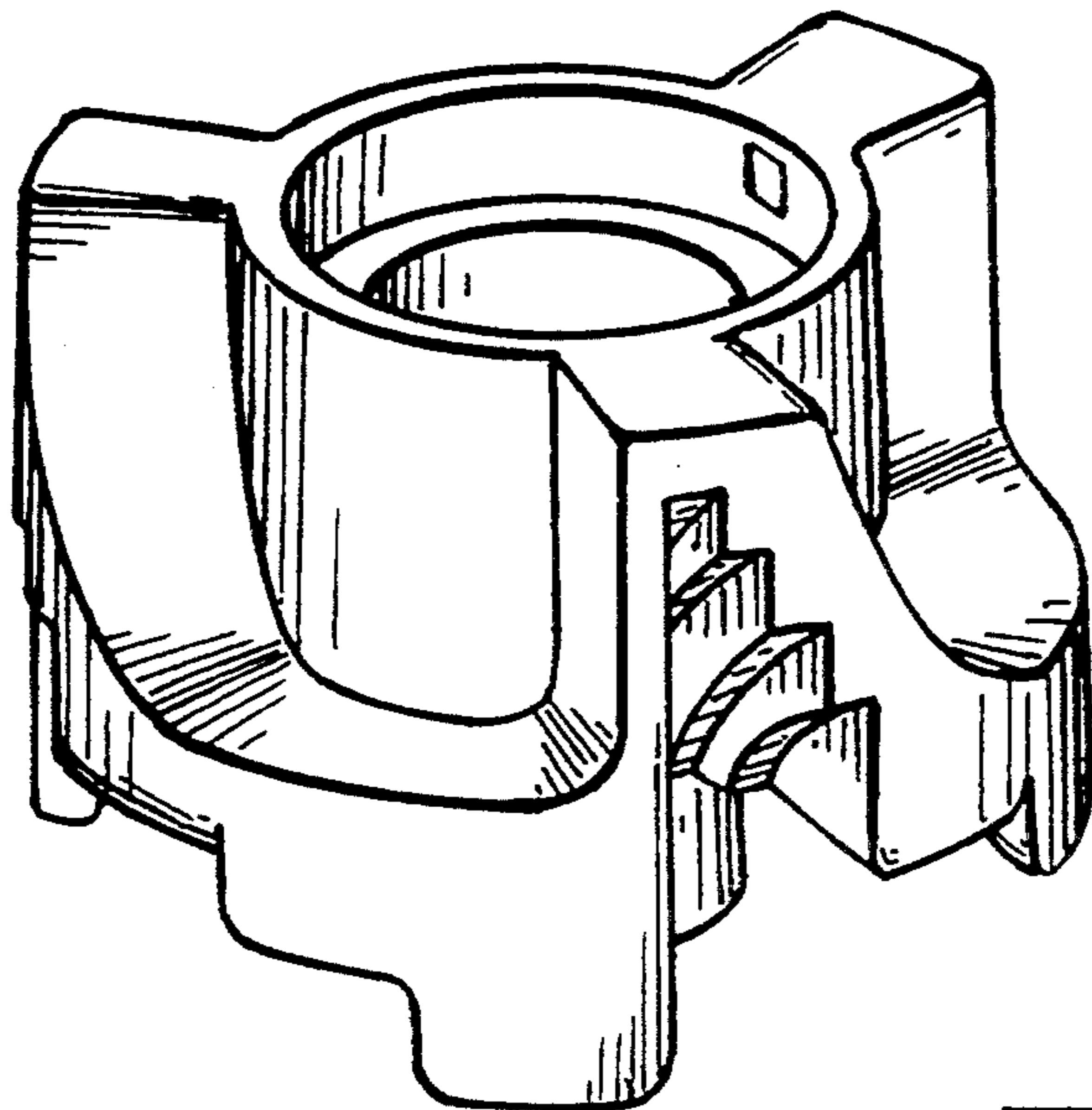


FIG. 1.

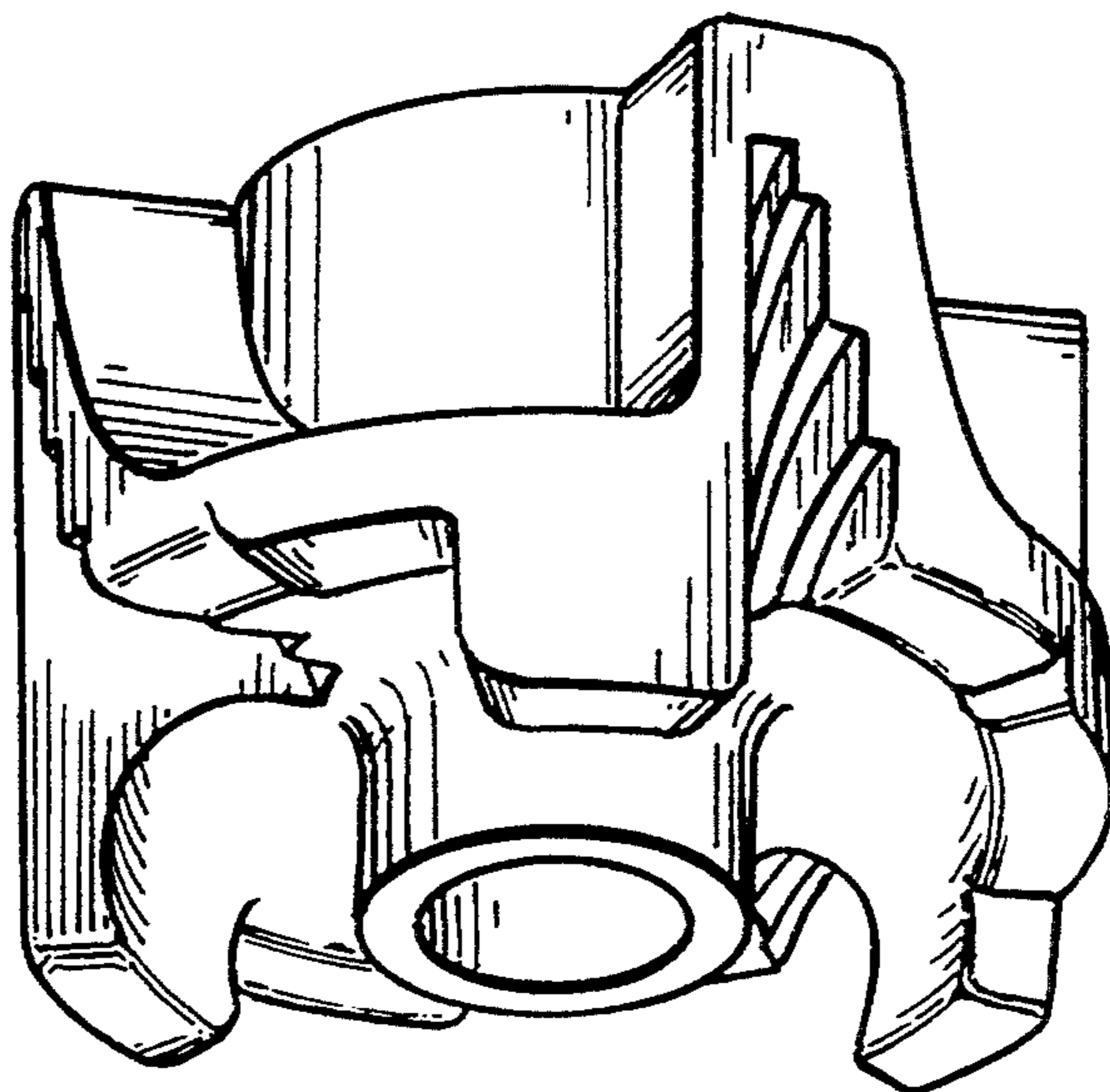


FIG. 2.

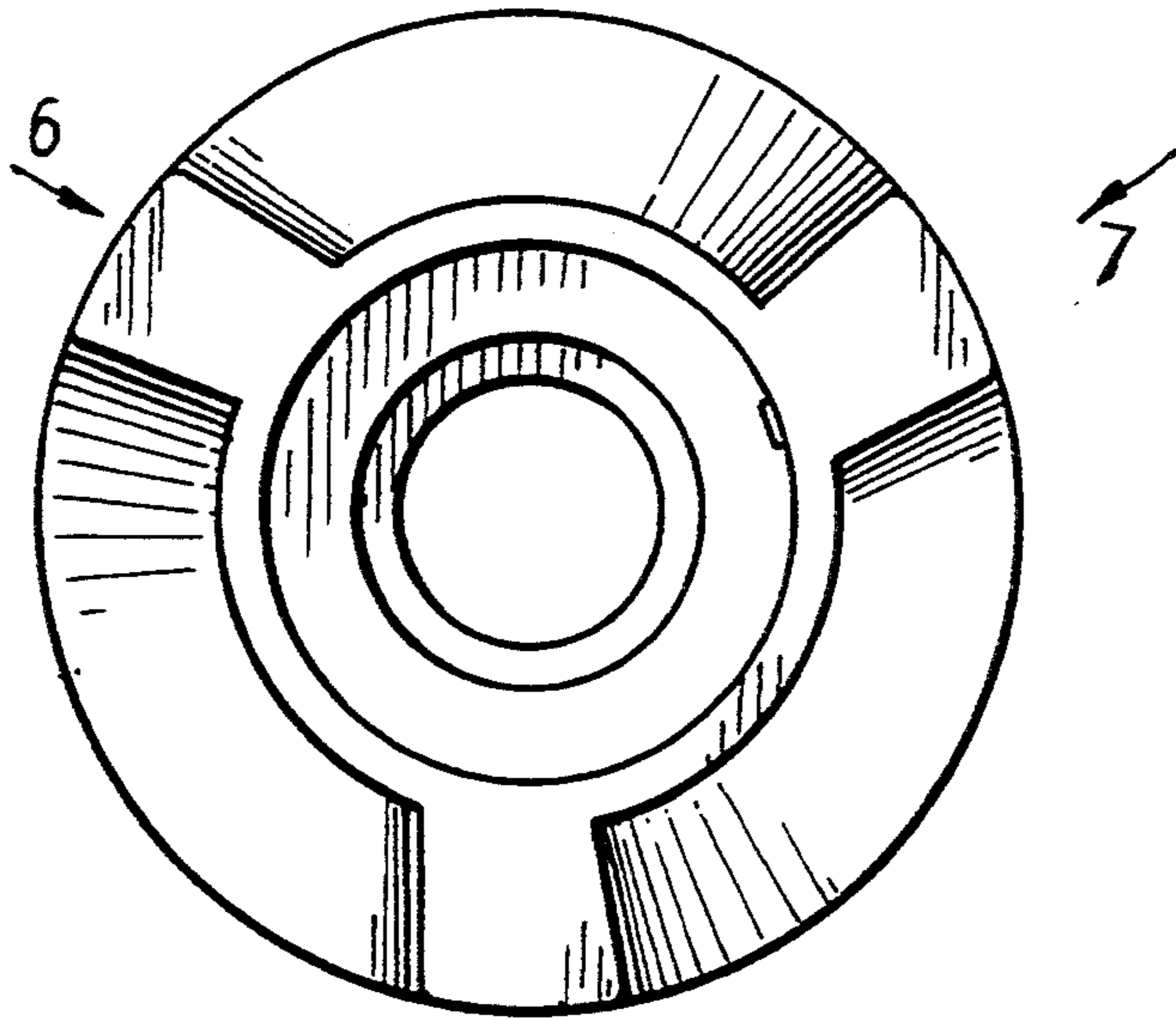


FIG. 3.

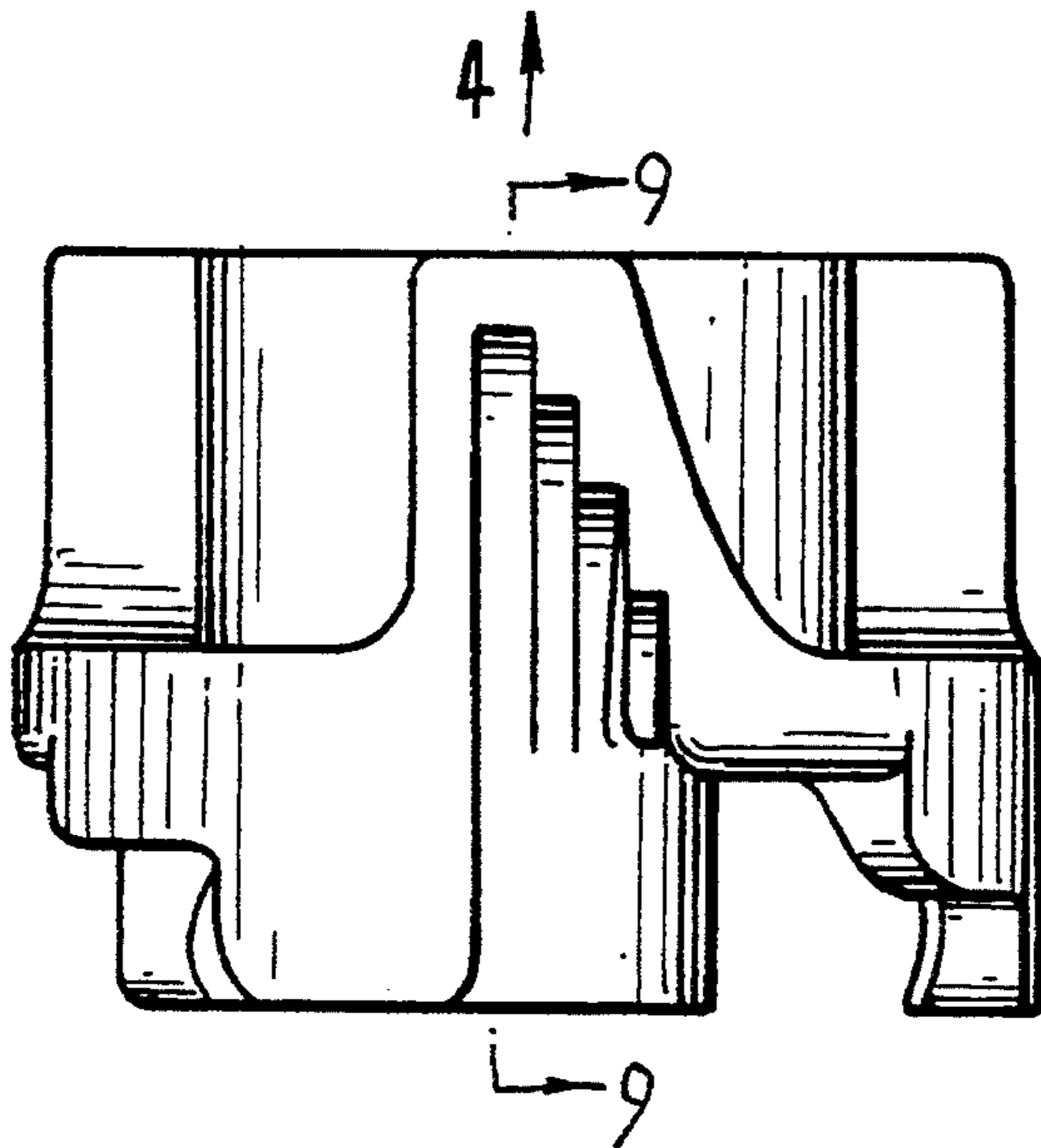


FIG. 4.

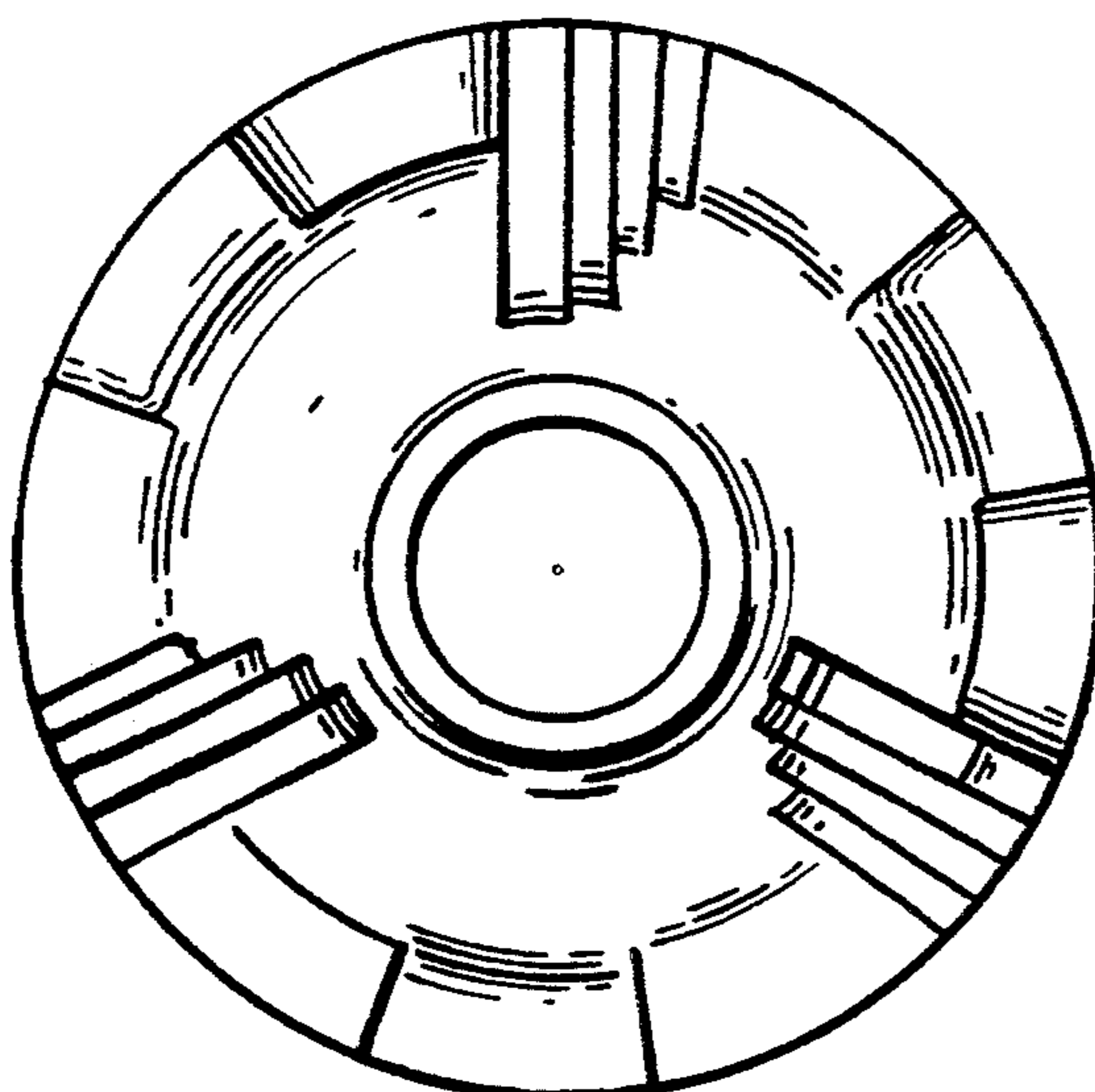


FIG. 5.

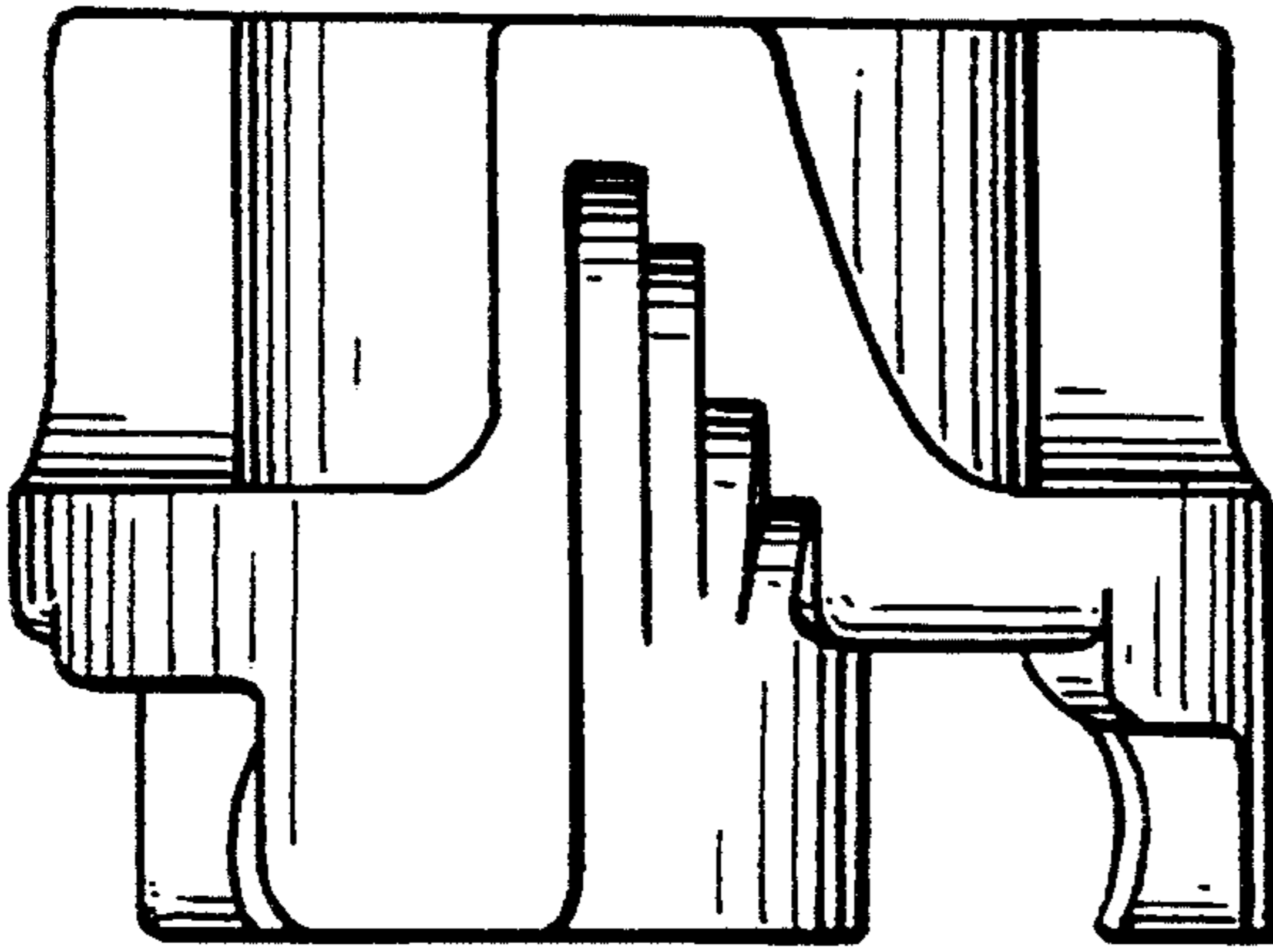


FIG. 6.

FIG. 7.

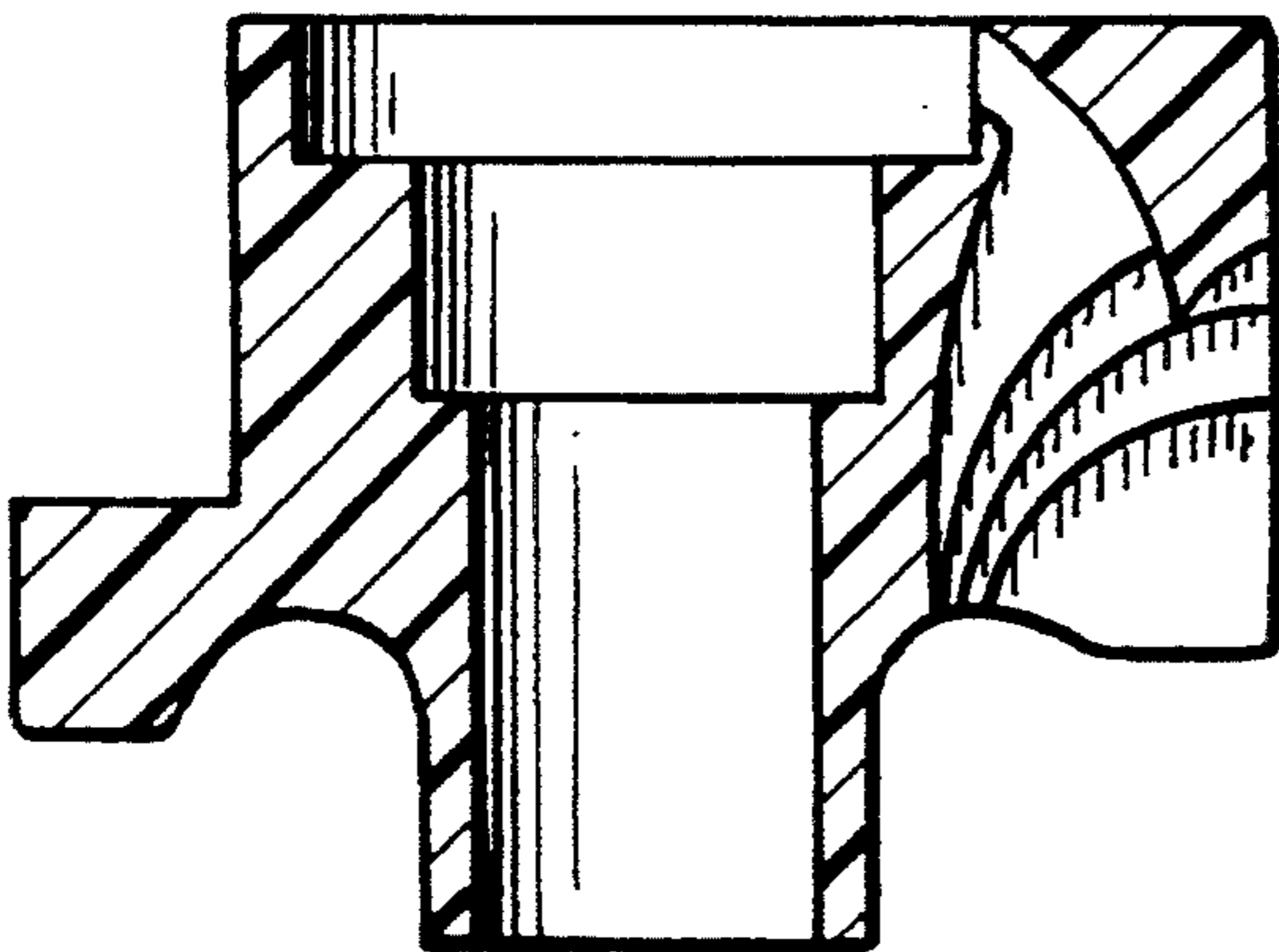
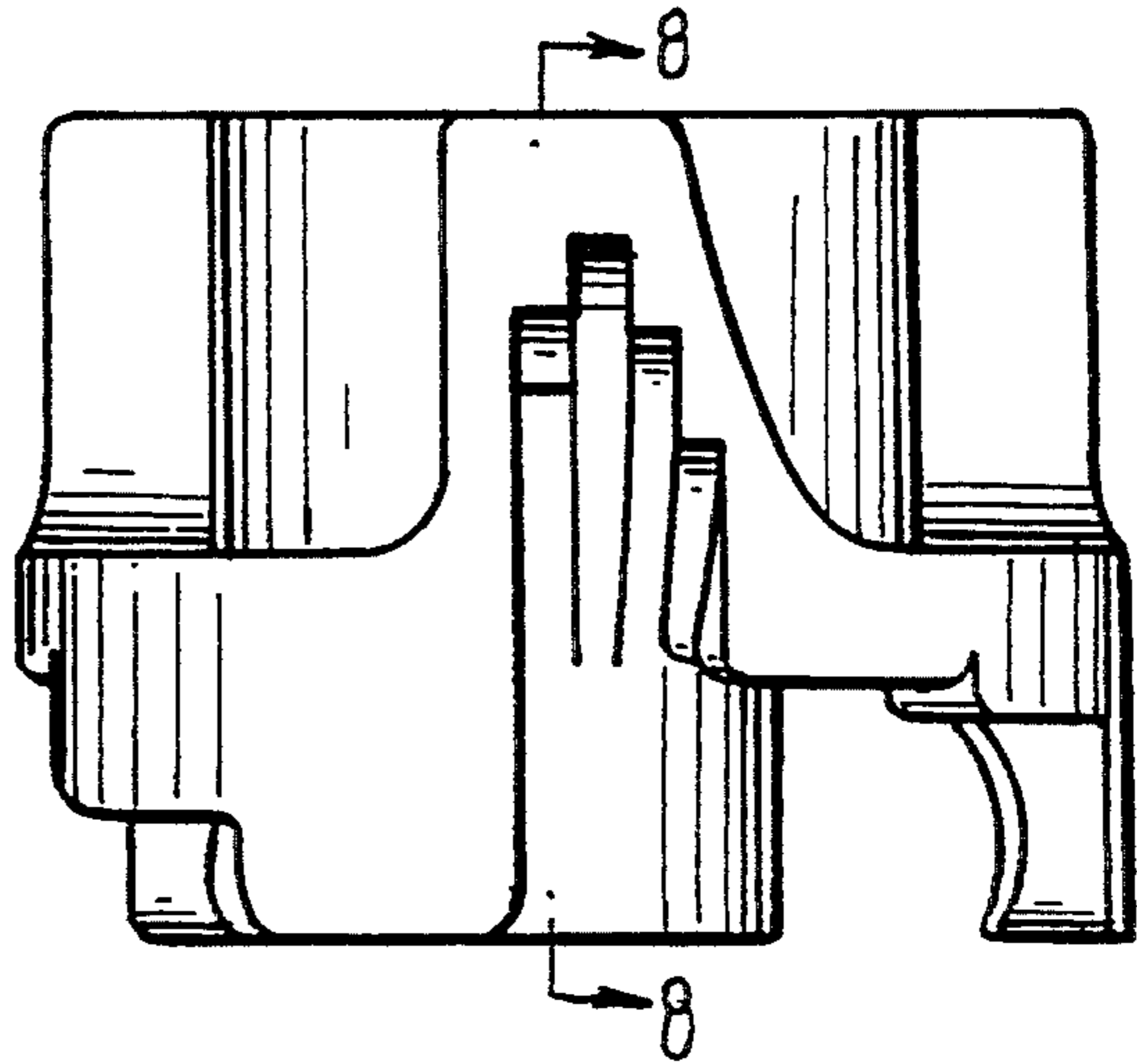


FIG. 8.

FIG. 9.

