



US00D359334S

United States Patent [19]
Taylor

[11] **Patent Number: Des. 359,334**
[45] **Date of Patent: ** Jun. 13, 1995**

[54] **CAP MOUNTED GOLFER'S AID**
[76] **Inventor: Gerald R. Taylor, 6416 Fairfield Pike, Enon, Ohio 45323**
[**] **Term: 14 Years**
[21] **Appl. No.: 18,280**
[22] **Filed: Feb. 2, 1994**
[52] **U.S. Cl. D21/234**
[58] **Field of Search D21/234; 273/187 R, 273/190 R, 190 A, 187.2, 187.6**

4,762,325 8/1988 McCleery 273/187.6 X
4,896,375 1/1990 Colucci .
5,171,152 12/1992 McCleery .

Primary Examiner—Theodore M. Shooman
Assistant Examiner—Cheri Cohen

[57] **CLAIM**

The ornamental design for the cap mounted golfer's aid, as shown and described.

DESCRIPTION

FIG. 1 is a front elevational view of the cap mounted golfer's aid showing my new design;
FIG. 2 is a rear elevational view thereof;
FIG. 3 is a left side elevational view thereof;
FIG. 4 is a right side elevational view thereof;
FIG. 5 is a top plan view thereof;
FIG. 6 is a bottom plan view thereof; and,
FIG. 7 is a perspective view showing a use thereof, the broken line showing of a human figure wearing a cap is for illustrative purposes only and forms no part of the claimed design.

[56] **References Cited**
U.S. PATENT DOCUMENTS

3,437,339 4/1969 Starck 273/190 A
3,740,051 6/1973 Cross 273/187.6
3,770,280 11/1973 Straus 273/187.6 X
3,874,672 4/1975 Zank 273/190 A
4,063,740 12/1977 Mader .
4,079,940 3/1978 Arakaki .
4,321,708 3/1982 Troiano .
4,739,991 4/1988 Flinn, Jr. 273/187.6 X

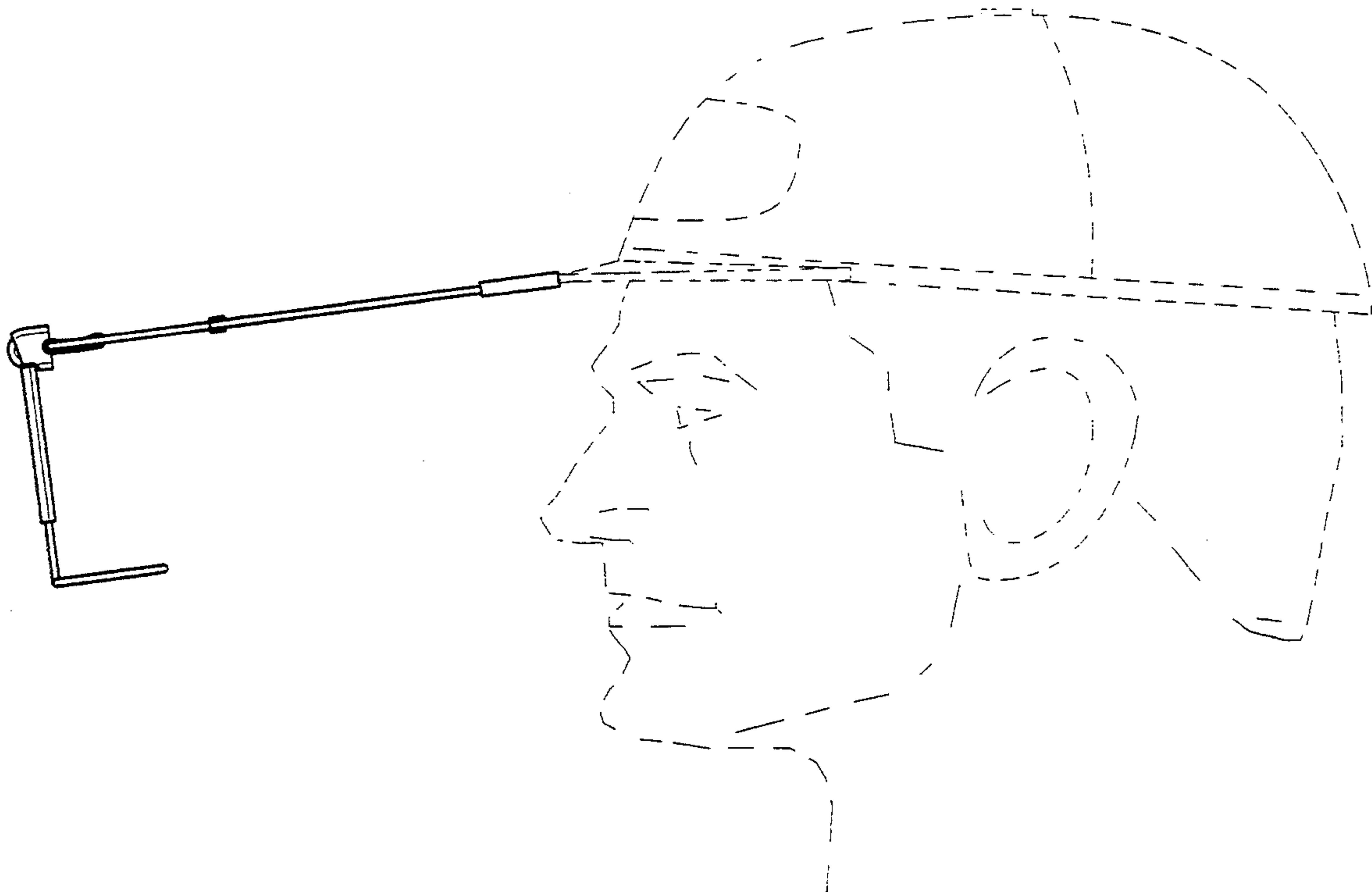


FIG. 1

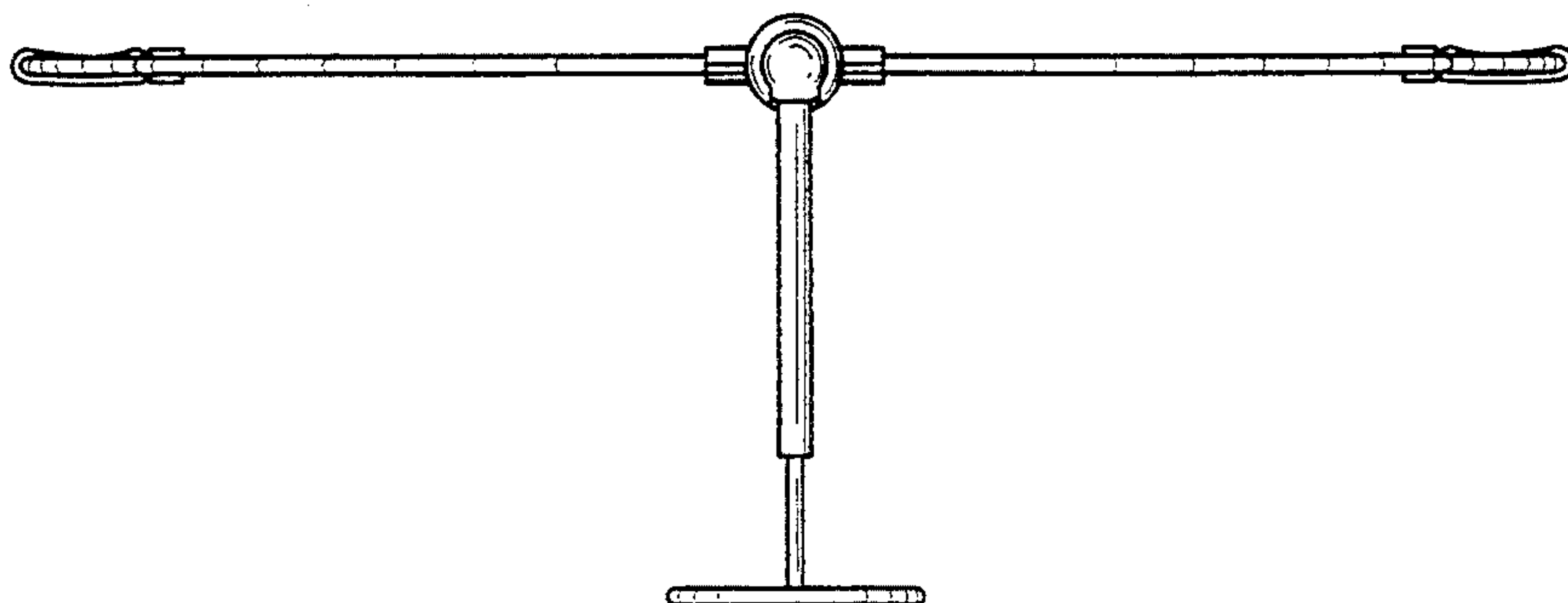


FIG. 2

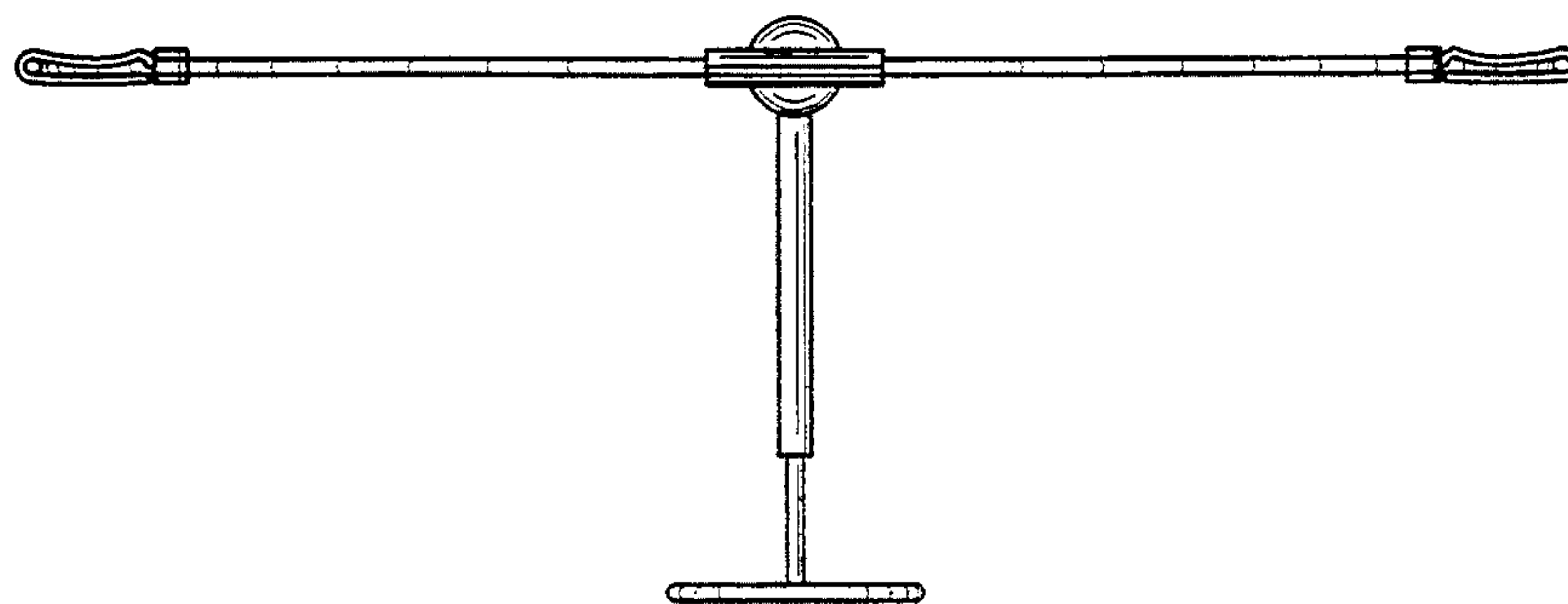


FIG. 3

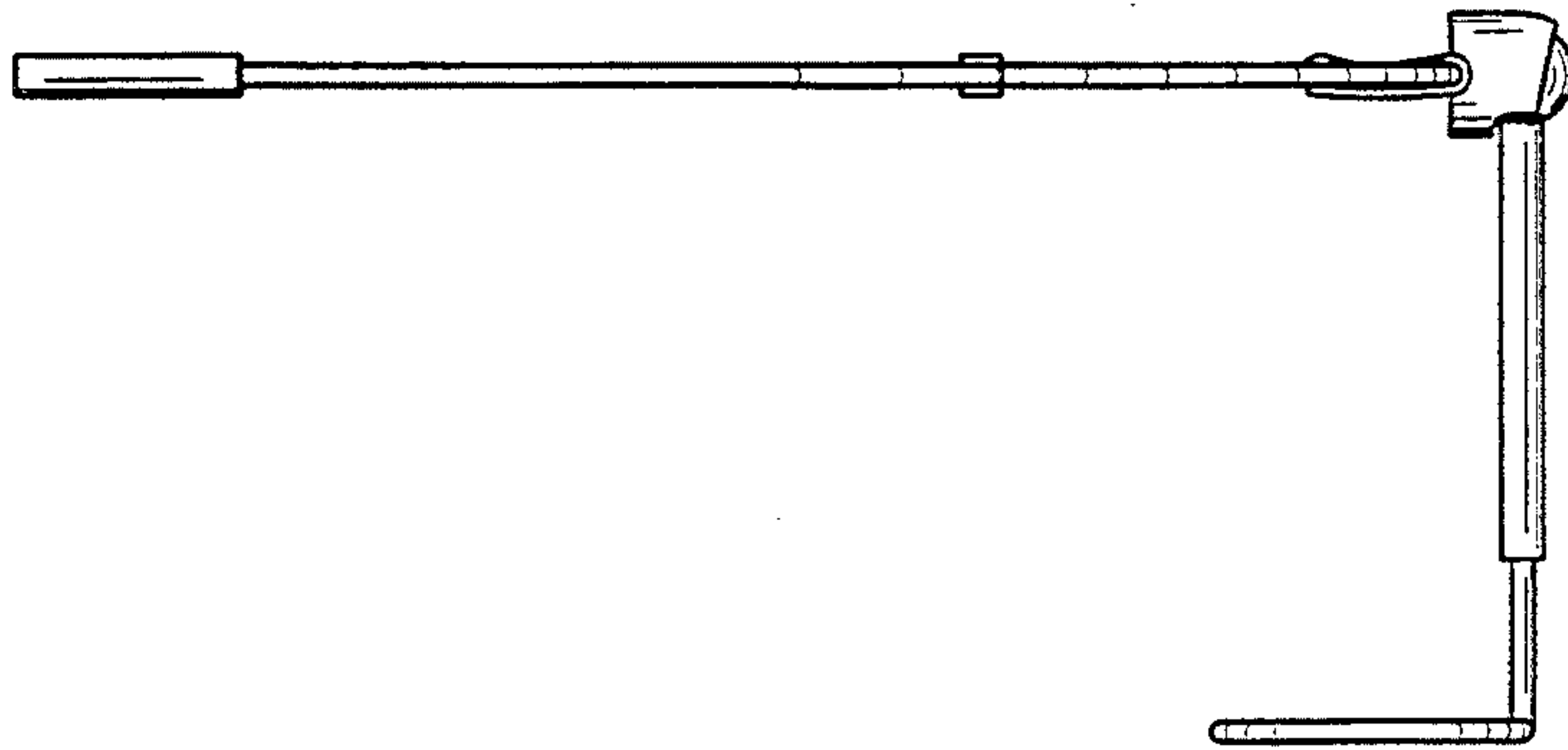


FIG. 4

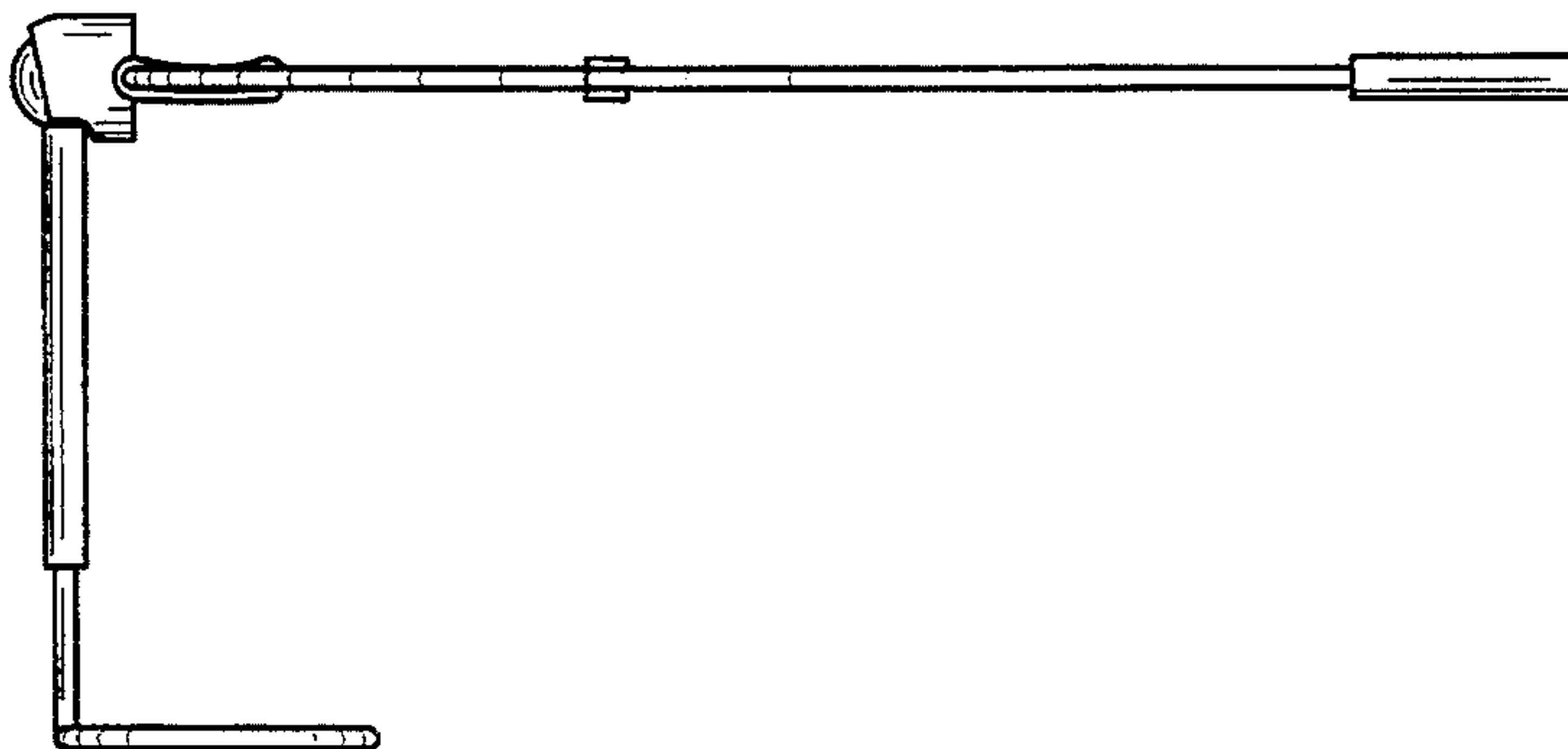


FIG. 5

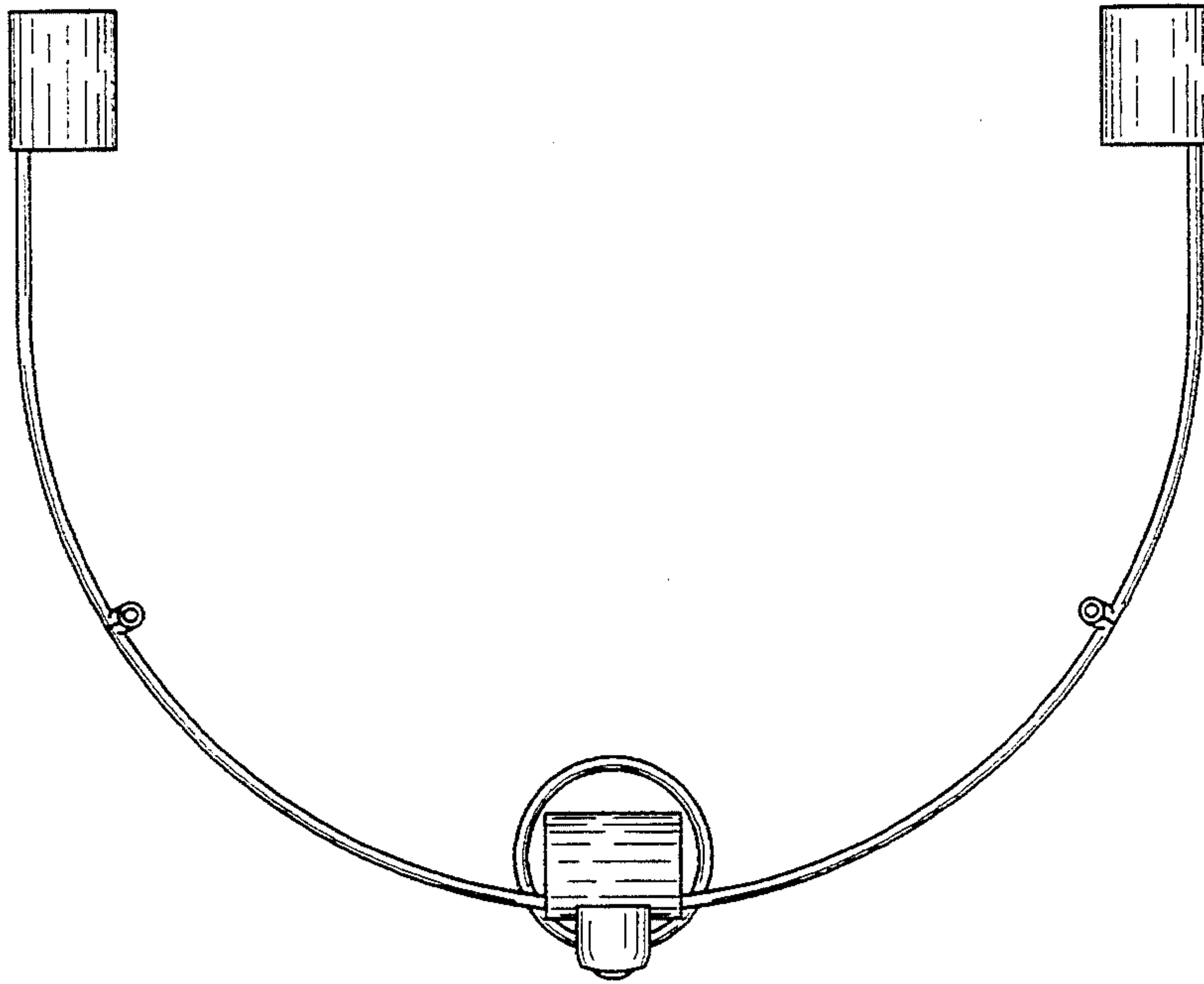


FIG. 6

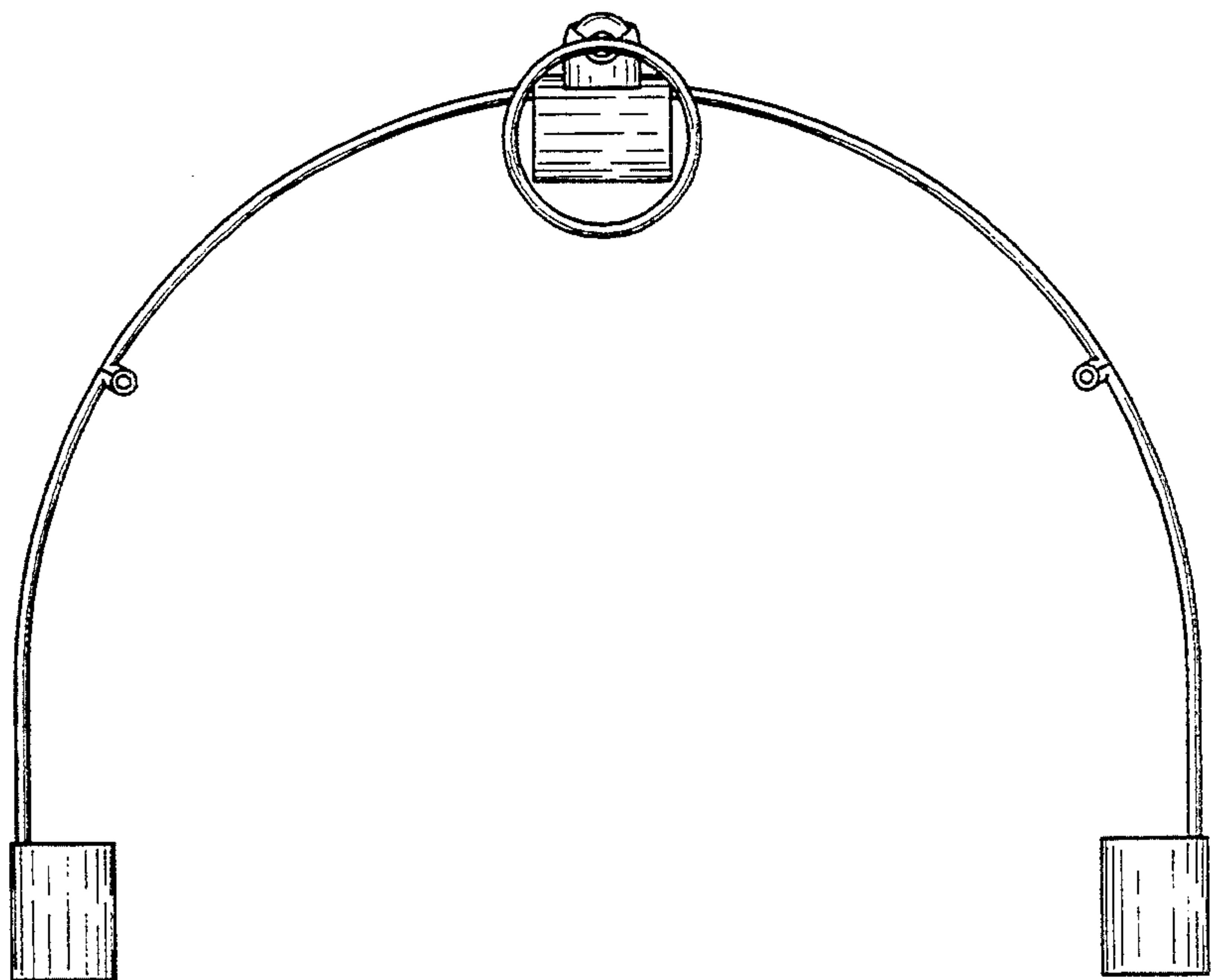


FIG. 7

