



US00D359333S

United States Patent [19]

[11] Patent Number: **Des. 359,333**

Kang

[45] Date of Patent: **** Jun. 13, 1995**

[54] **MASKING UNIT FOR A BOWLING MACHINE**

[75] Inventor: **Tae Suk Kang**, Seoul, Rep. of Korea

[73] Assignee: **Daesaeng Corporation**, Rep. of Korea

[*] Notice: The portion of the term of this patent subsequent to Mar. 14, 2009 has been disclaimed.

[**] Term: **14 Years**

[21] Appl. No.: **12,175**

[22] Filed: **Aug. 25, 1993**

[30] **Foreign Application Priority Data**

Feb. 26, 1993 [KR] Rep. of Korea 93-3298

[52] U.S. Cl. **D21/233**

[58] Field of Search D21/233; 473/54, 63, 473/67, 70, 71, 114, 115

[56] **References Cited**

U.S. PATENT DOCUMENTS

D. 148,839 3/1948 Anderson et al. D21/233

D. 188,670	8/1960	Reineman et al.	D21/233
D. 209,843	1/1968	Dreyfuss	D21/233
2,330,268	9/1943	Cloutier	473/64
3,299,775	1/1967	Miller	473/54 X
3,738,656	6/1973	Rockwood et al.	473/64

OTHER PUBLICATIONS

Brunswick Bowling Cat 1961-62, front page.

Primary Examiner—Prabhakar G. Deshmukh
Attorney, Agent, or Firm—Quarles & Brady

[57] **CLAIM**

The ornamental design for a masking unit for a bowling machine, as shown and described.

DESCRIPTION

FIG. 1 is a perspective view of my new design for a masking unit for a bowling machine; FIG. 2 is a front elevation view thereof; FIG. 3 is a rear elevational view thereof; FIG. 4 is a left side elevational view thereof, the right side view being symmetrical to the left side view; and, FIG. 5 is a top plan view thereof, the bottom plan view being symmetrical to the top plan view.

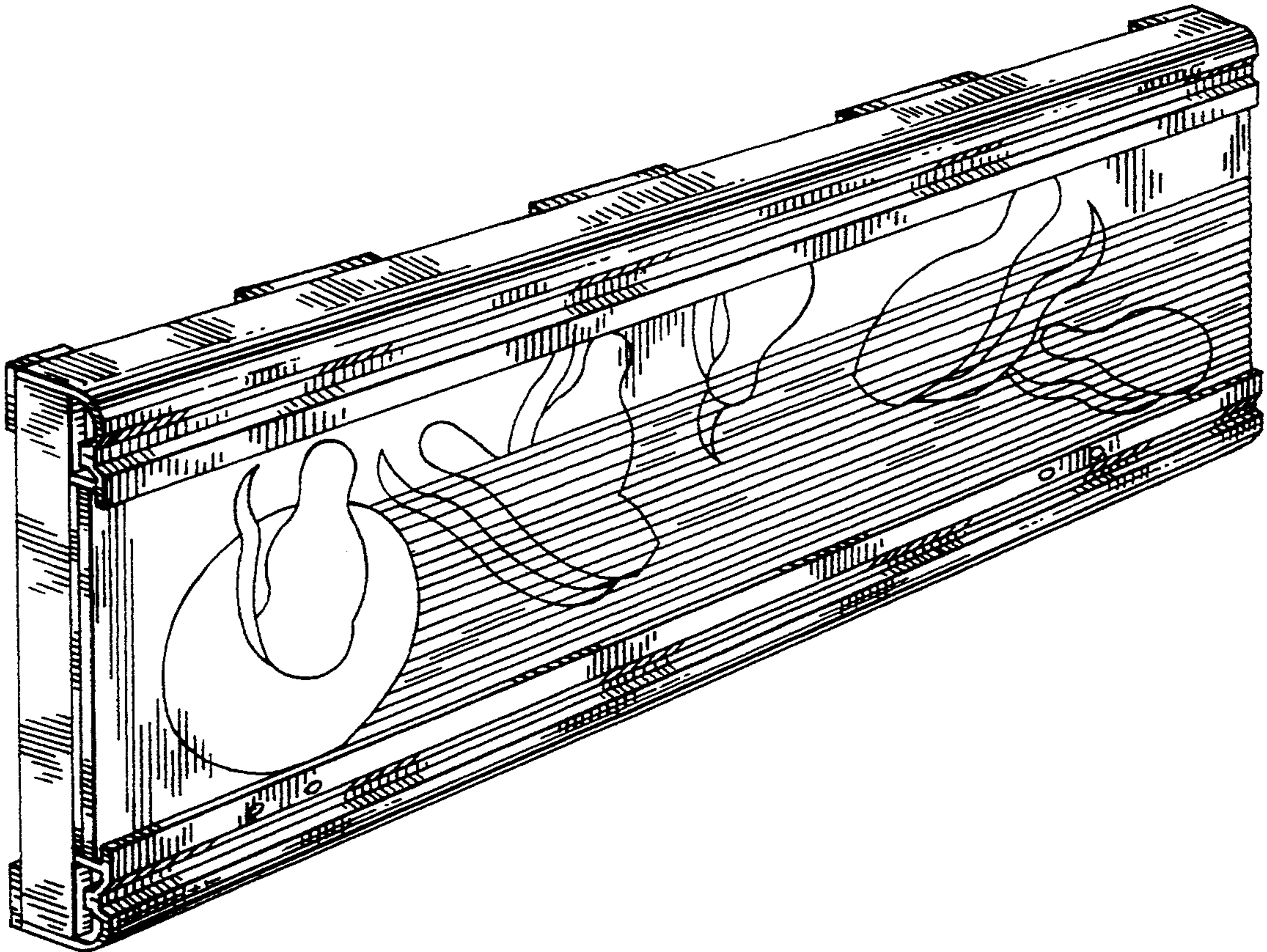


FIG. 1

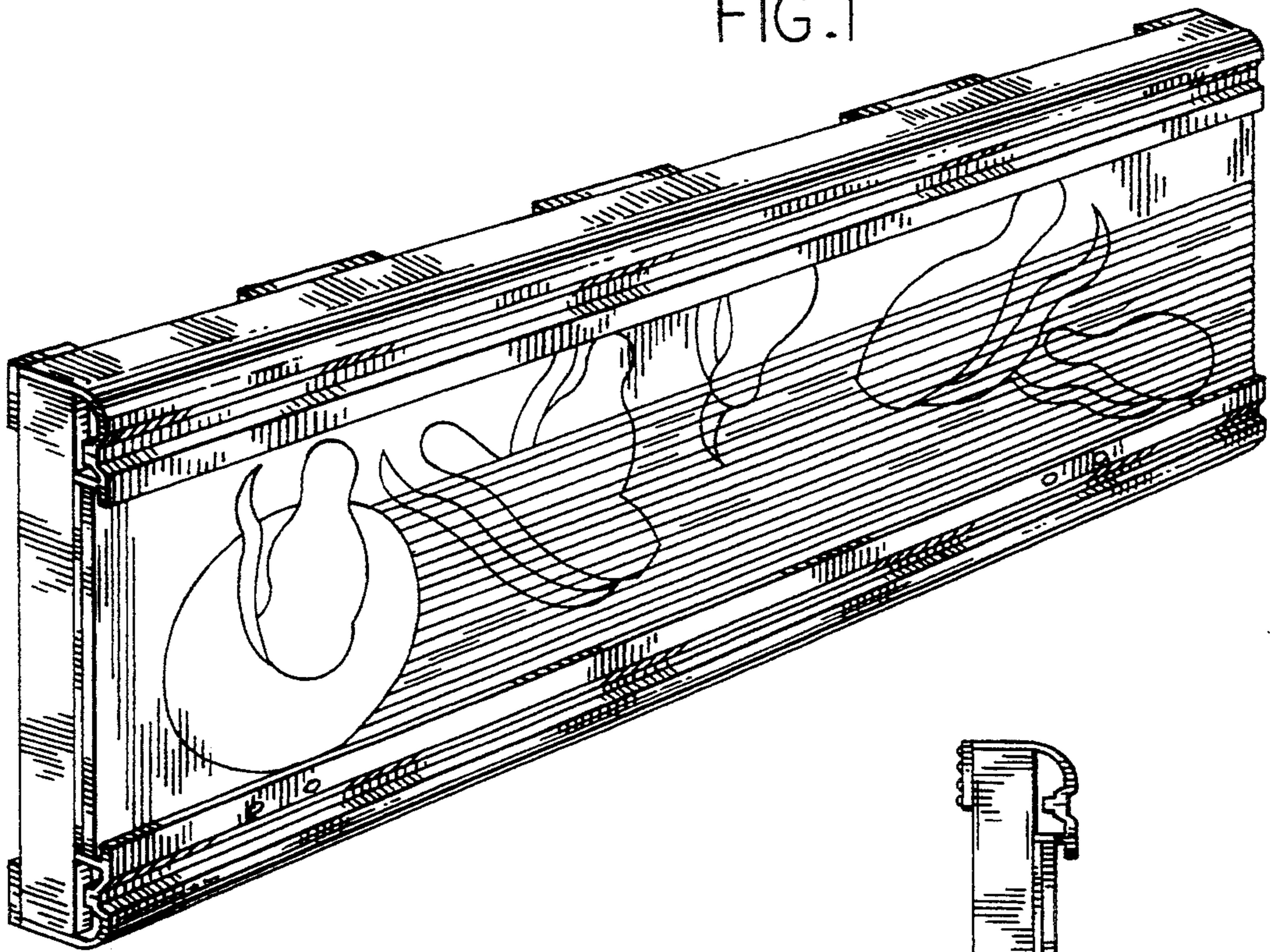


FIG. 4

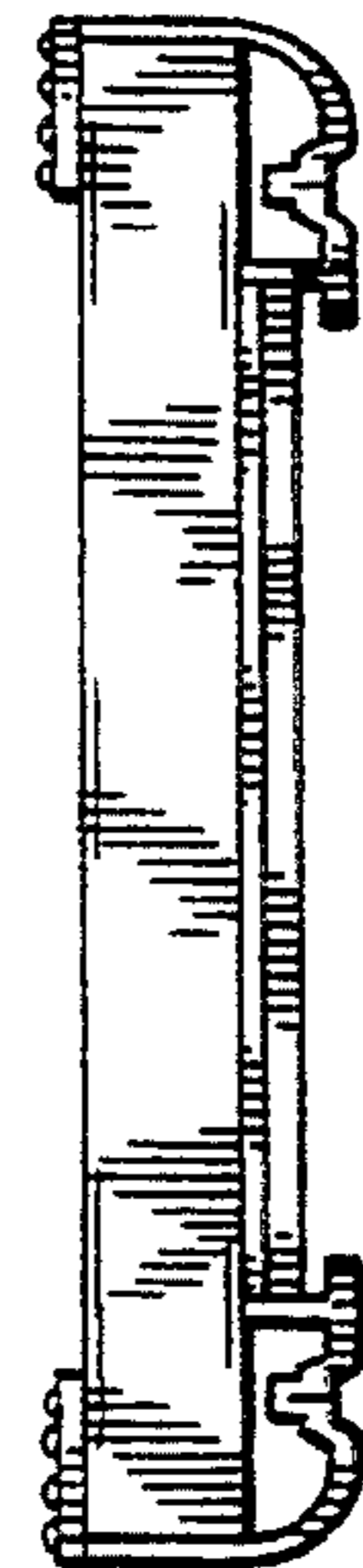


FIG. 5

FIG. 2

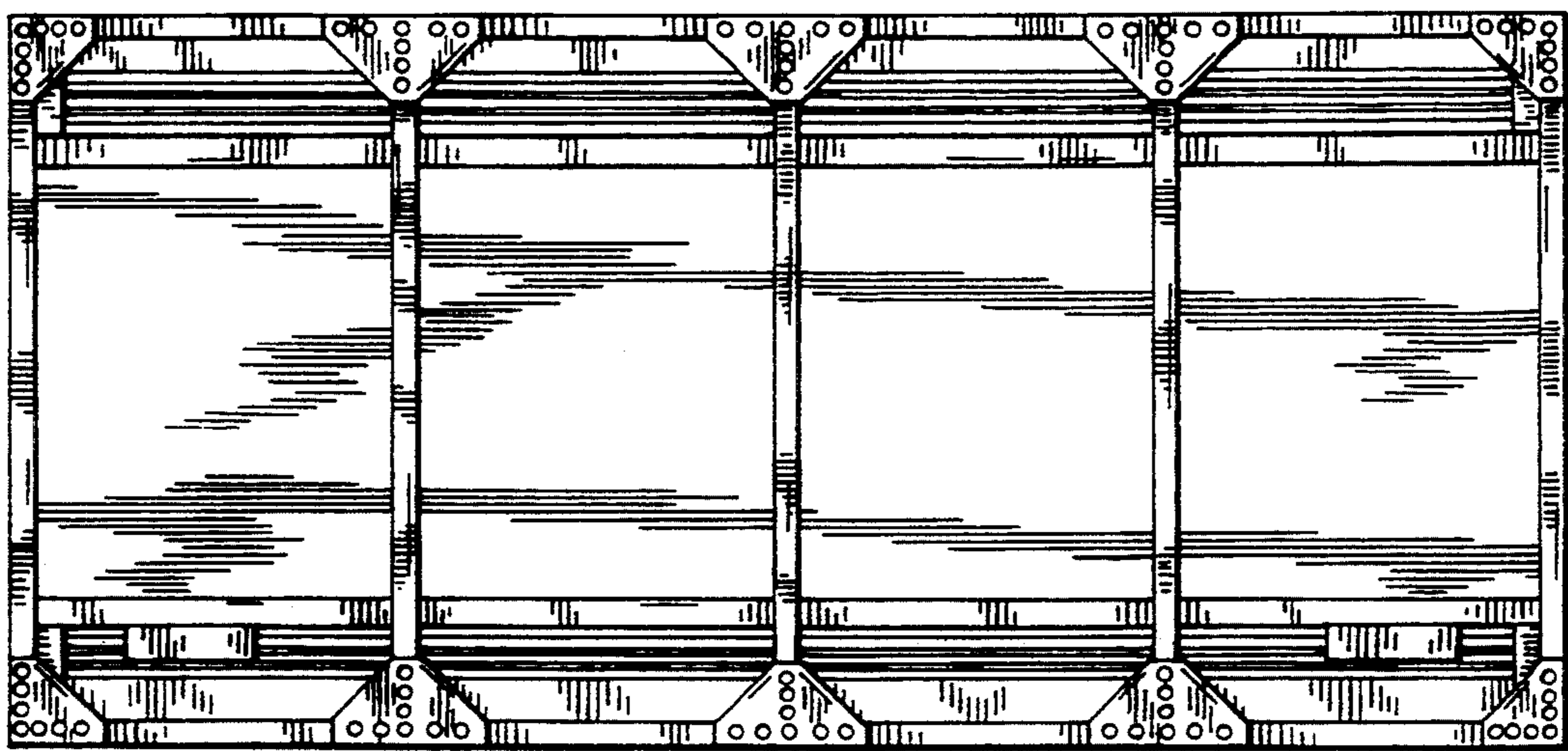
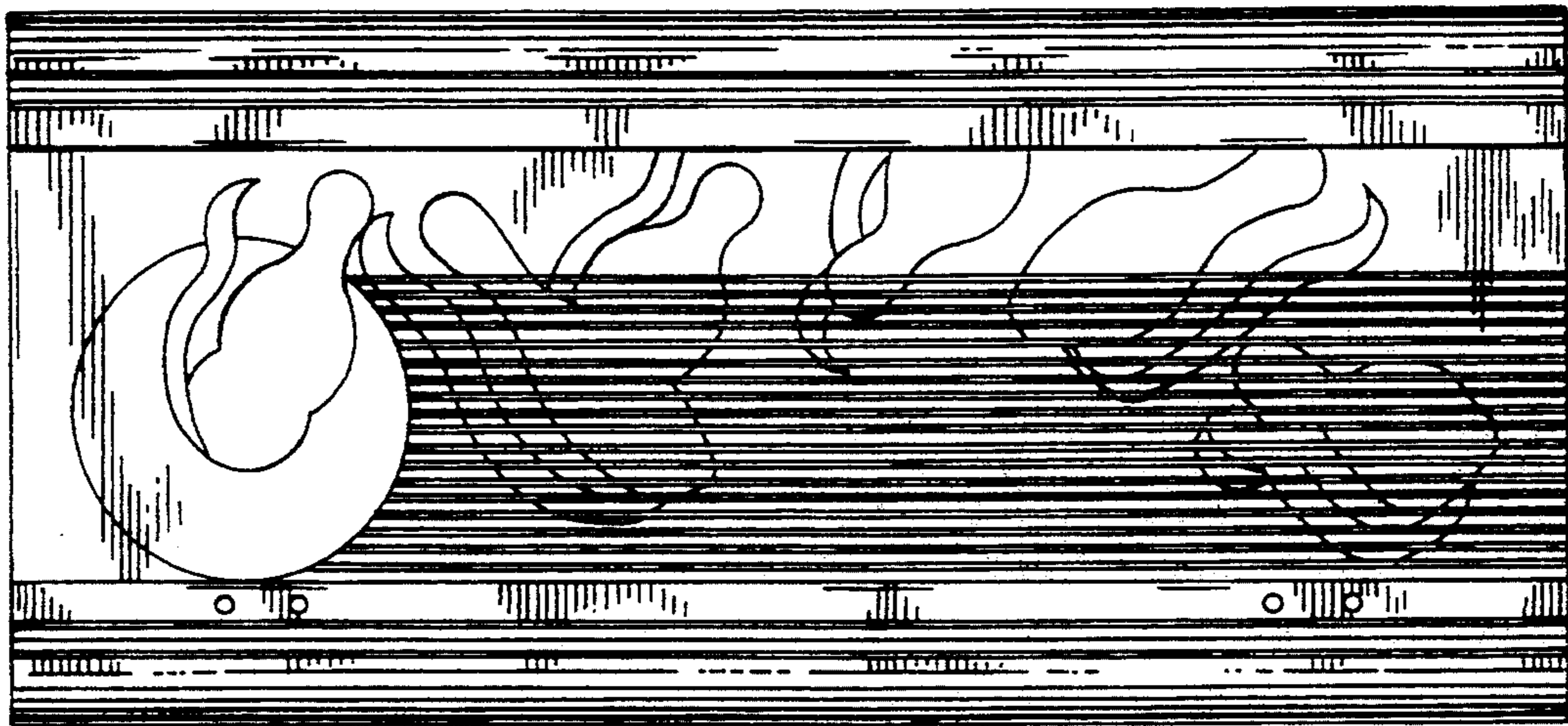


FIG. 3