



US00D359326S

United States Patent [19]

[11] Patent Number: Des. 359,326

Deola

[45] Date of Patent: ** Jun. 13, 1995

[54] PHYSICAL EXERCISER

5,221,245 6/1993 Yeh 482/99

[76] Inventor: James A. Deola, 2584 Lincoln Ave. S., Vineland, N.J. 08360

OTHER PUBLICATIONS

Service Merchandise Catalog, 1992, p. 494, Home Gyms.

[**] Term: 14 Years

Primary Examiner—Prabhakar G. Deshmukh

[21] Appl. No.: 11,397

Assistant Examiner—Philip Hyder

[22] Filed: Aug. 4, 1993

Attorney, Agent, or Firm—Thomas A. Lennox

[52] U.S. Cl. D21/195

[57] CLAIM

[58] Field of Search D21/191, 195; 482/92, 482/93, 94, 95, 96, 97, 98, 123, 129, 133

The ornamental design for a physical exerciser, as shown and described.

[56] References Cited

DESCRIPTION

U.S. PATENT DOCUMENTS

D. 288,451	2/1987	Irvine et al.	D21/195
D. 289,784	5/1987	Carey et al.	D21/195
D. 296,709	7/1988	Gvoich et al.	D21/195
D. 301,597	6/1989	Lehtonen	D21/195
D. 303,558	9/1989	Alessandri	D21/195
D. 324,710	3/1992	Habing	D21/195
D. 330,238	10/1992	Desiderio	D21/195
5,211,614	5/1993	Henes	482/133

FIG. 1 is a front elevational view of a physical exerciser showing my new design;

FIG. 2 is a right side elevational view thereof;

FIG. 3 is a left side elevational thereof;

FIG. 4 is a rear elevational thereof;

FIG. 5 is a top plan view thereof;

FIG. 6 is a bottom plan view thereof; and,

FIG. 7 is a right side, front, top perspective view thereof.

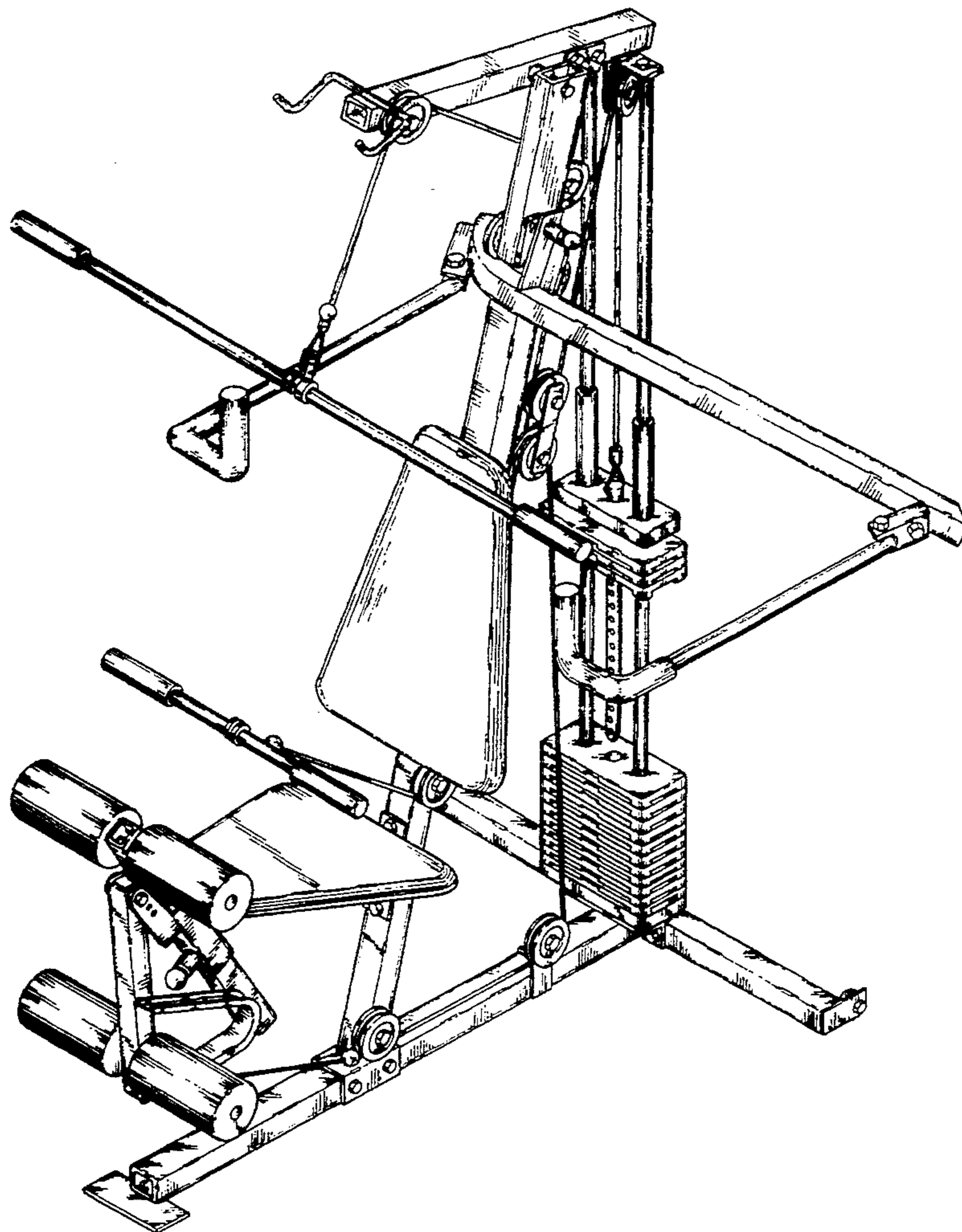


Fig. 1

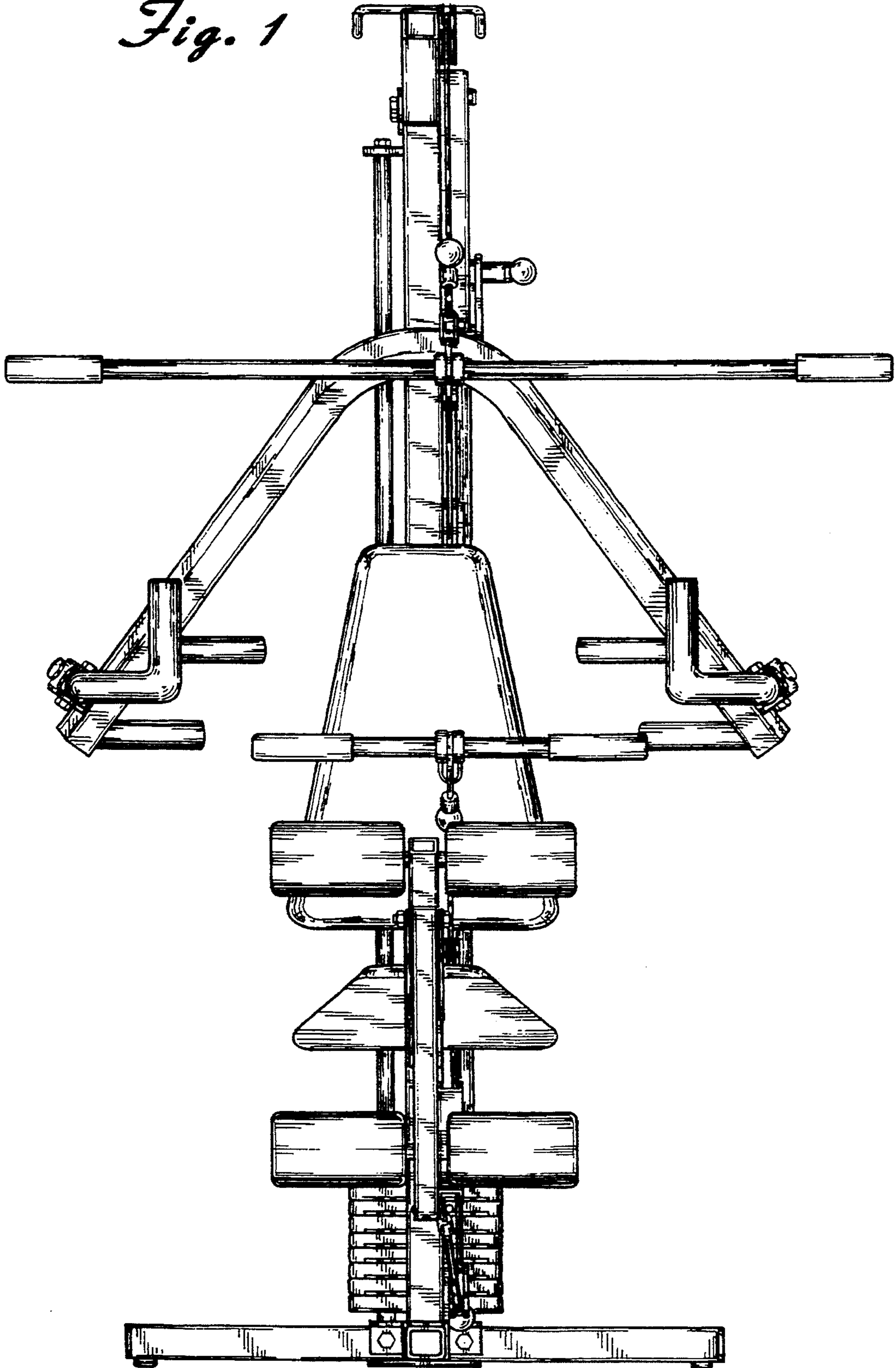


Fig. 2

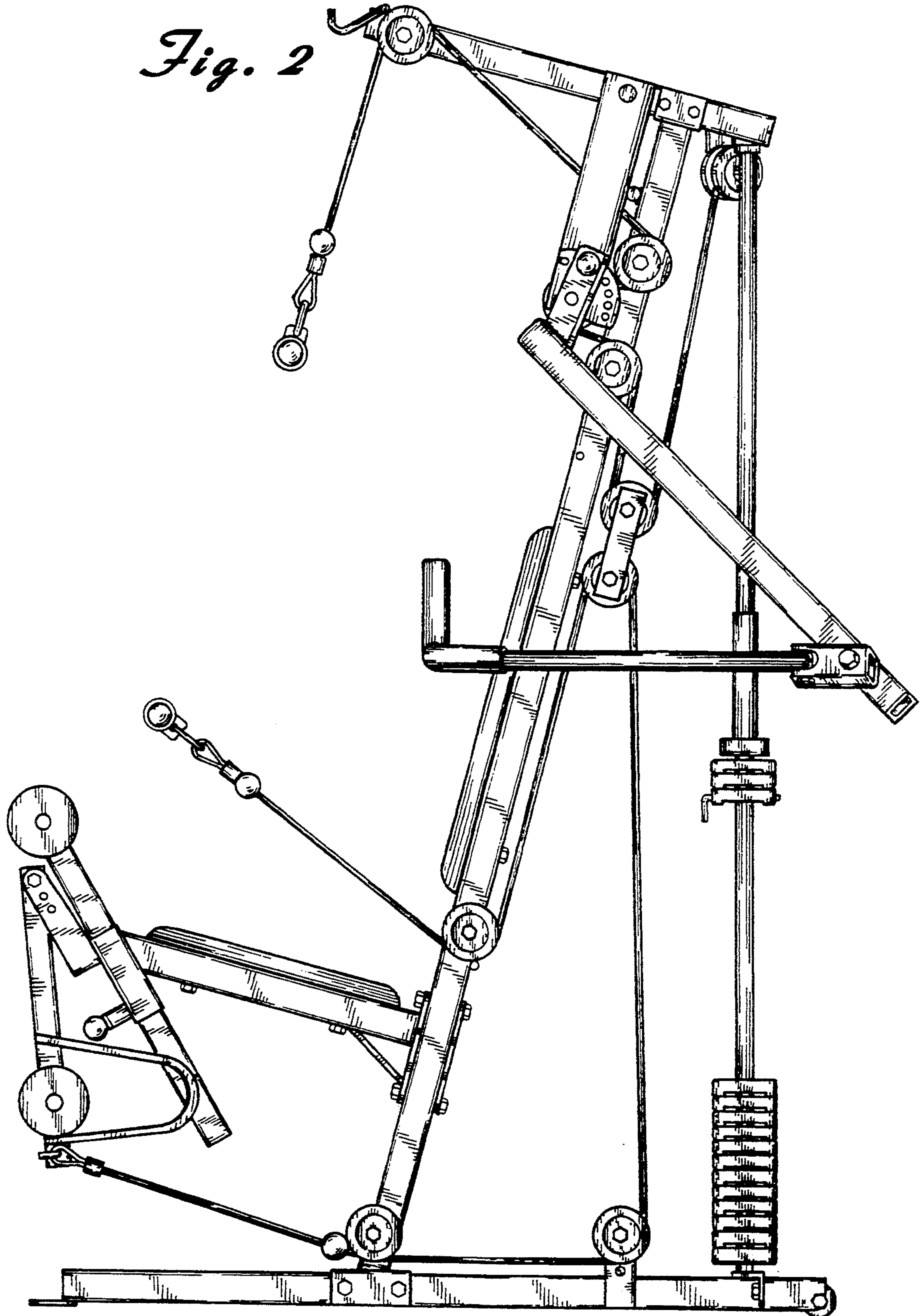


Fig. 3

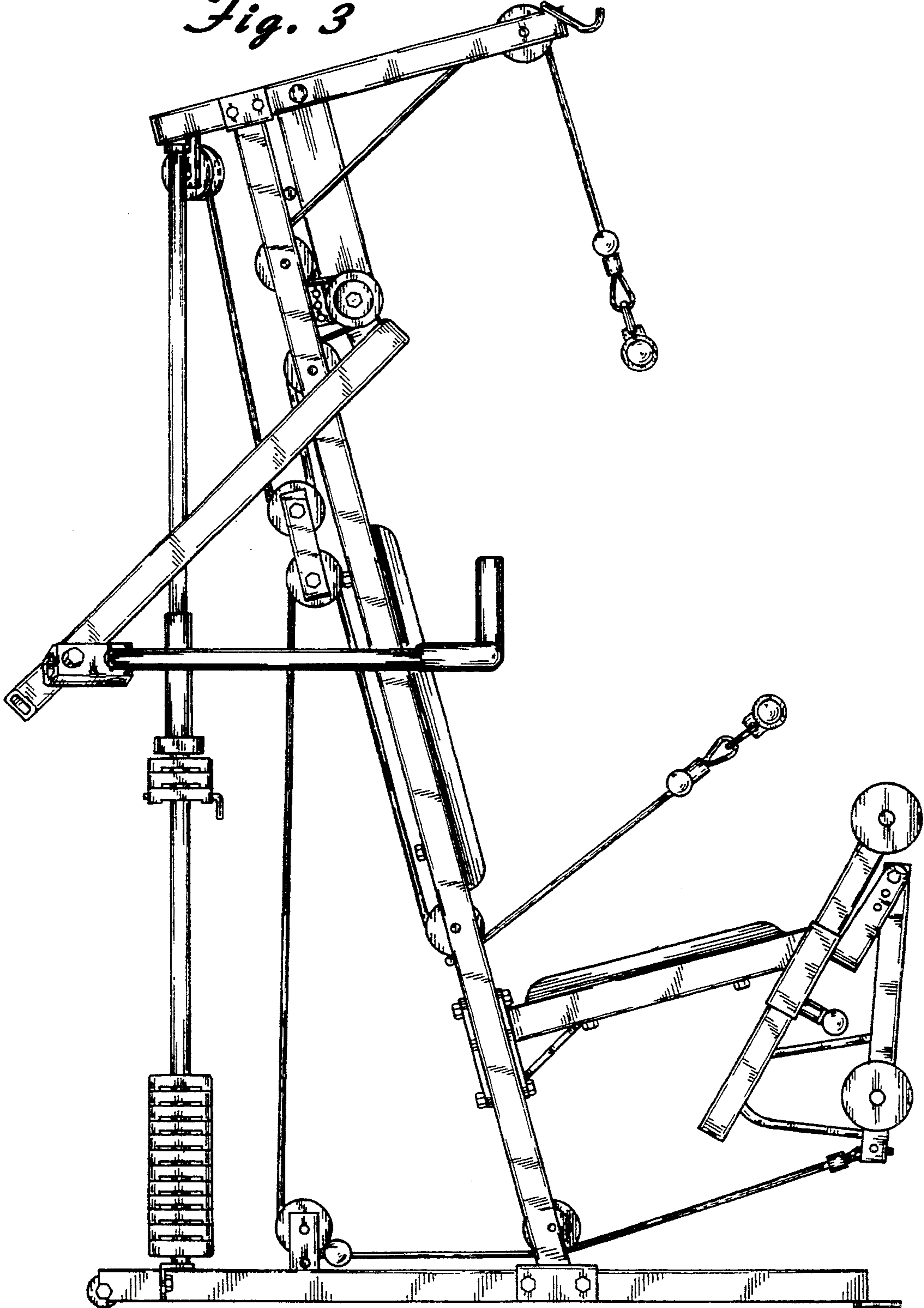


Fig. 4

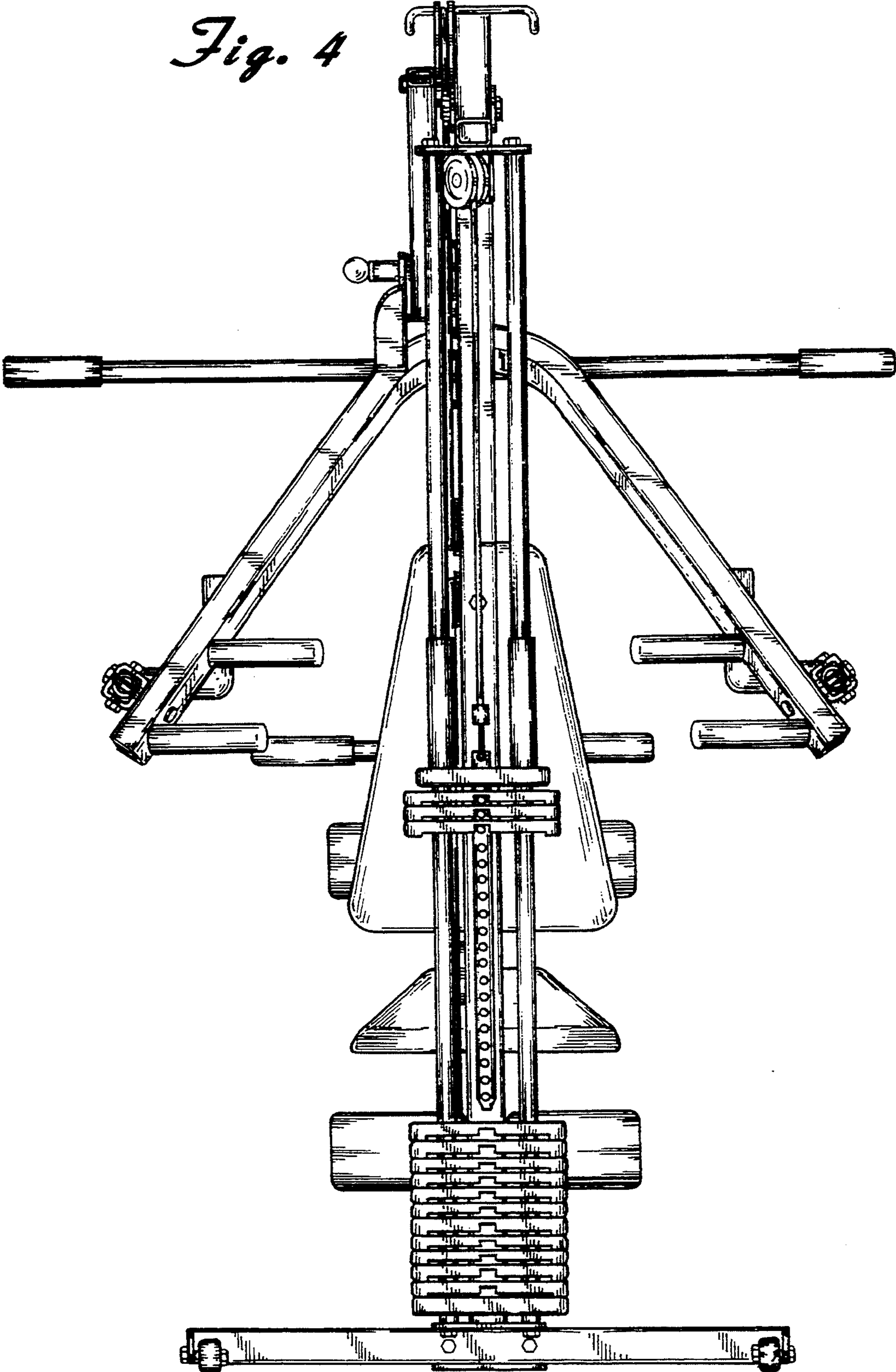


Fig. 5

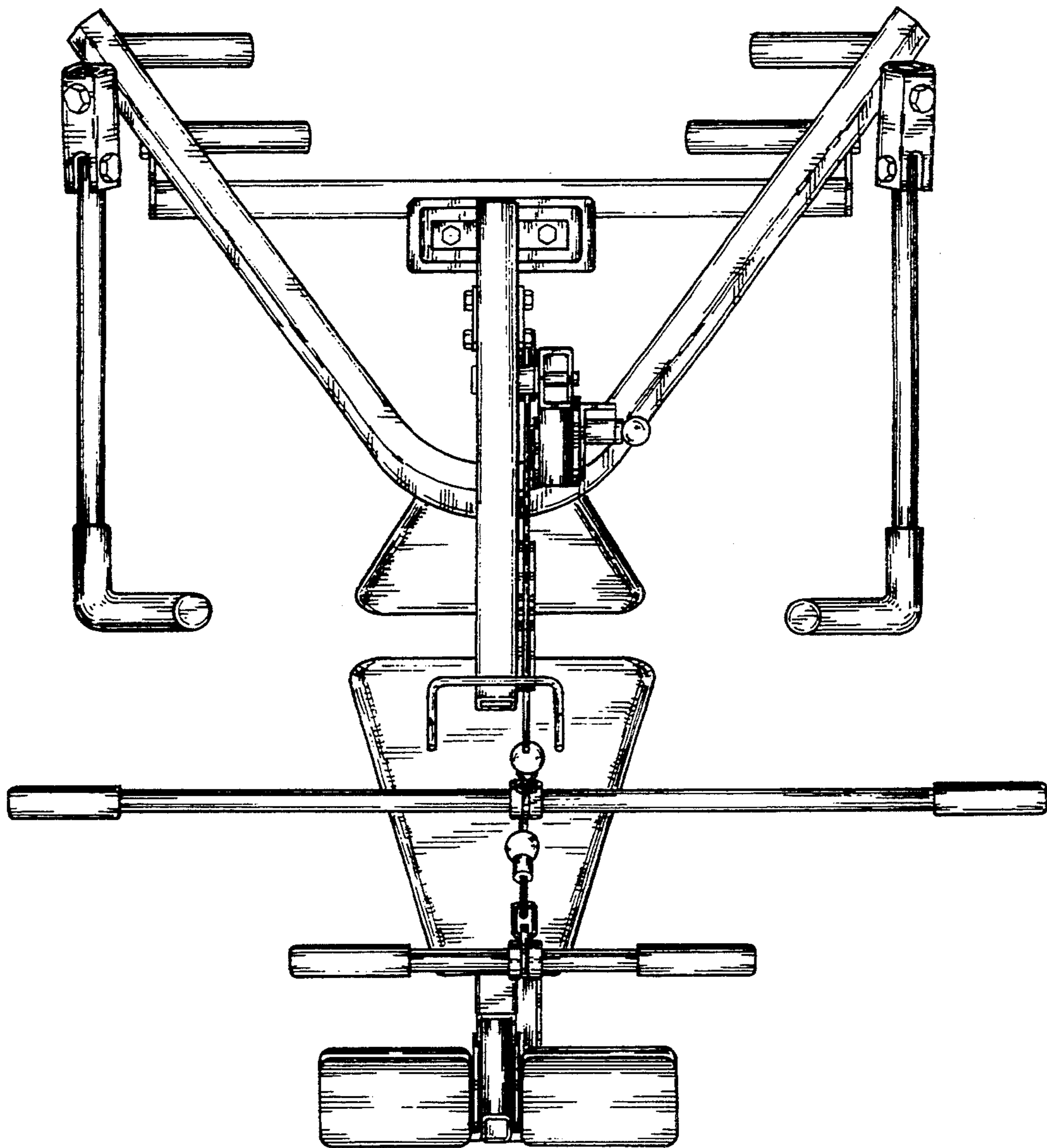


Fig. 6

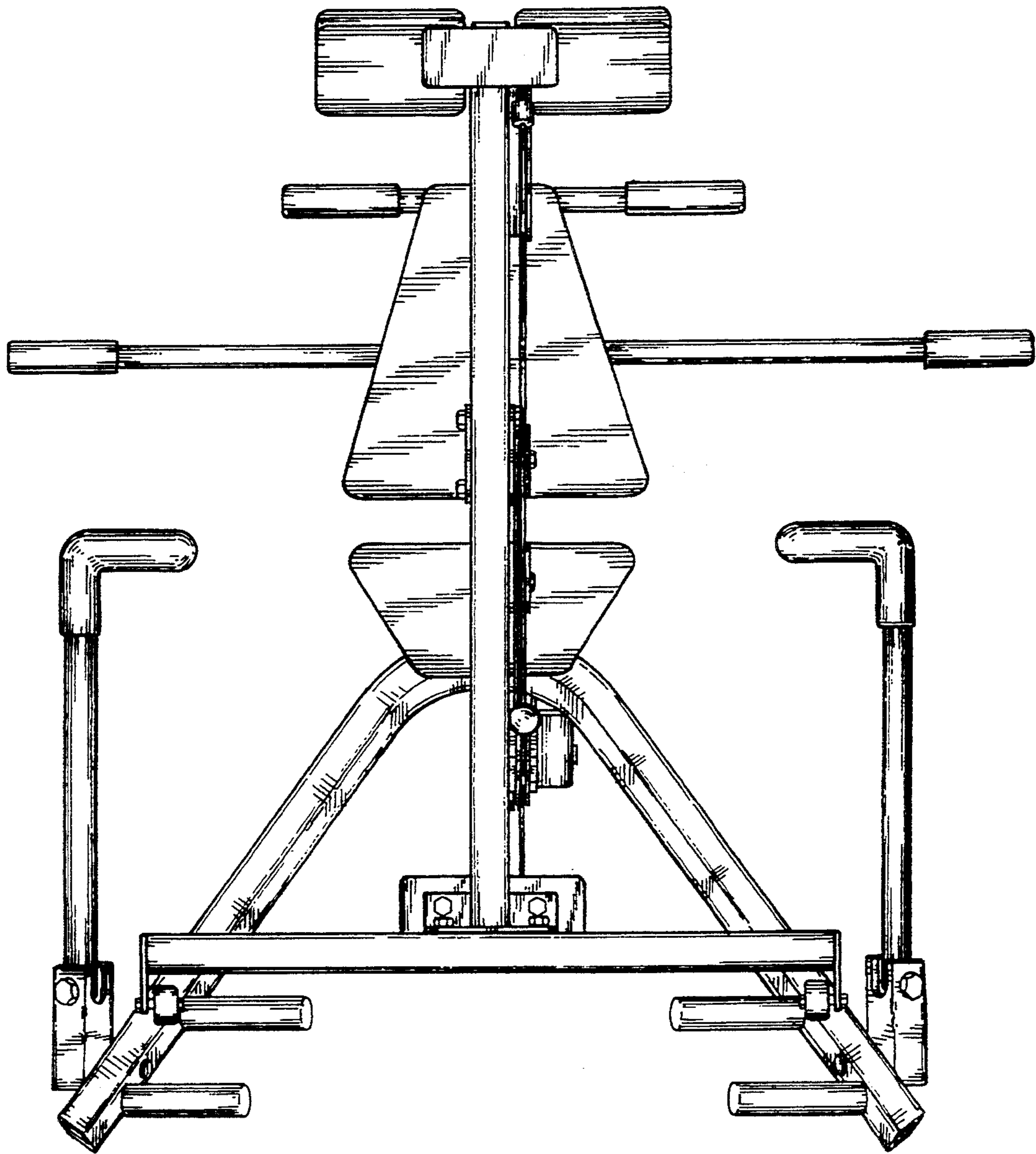


Fig. 7

