



US00D359325S

United States Patent [19]

[11] Patent Number: **Des. 359,325**

Gerschefske et al.

[45] Date of Patent: **** Jun. 13, 1995**

[54] **PHYSICAL EXERCISER**

[75] Inventors: **Kevin Gerschefske; Rick Byrd**, both of Springfield; **Chuck Brazeal**, Mansfield, all of Mo.

[73] Assignee: **Stamina Products, Inc.**, Springfield, Mo.

4,834,396 5/1989 Schnell 482/137
 4,915,377 4/1990 Maluke et al. .
 4,964,632 10/1990 Rockwell .
 4,979,734 12/1990 Sims 482/137
 5,080,351 1/1992 Rockwell .
 5,135,451 8/1992 Chen .
 5,195,937 3/1993 Engel et al. 482/119
 5,211,617 5/1993 Millen 482/137

[**] Term: **14 Years**

FOREIGN PATENT DOCUMENTS

[21] Appl. No.: **14,495**

8301242 7/1983 France 482/130
 8005681 10/1980 Germany .

[22] Filed: **Oct. 22, 1993**

[52] U.S. Cl. **D21/195**

[58] Field of Search **D21/191, 195; 482/92, 482/93, 94, 97, 98, 123, 142, 133**

Primary Examiner—Prabhaker G. Deshmukh
Assistant Examiner—Philip Hyder
Attorney, Agent, or Firm—Kokjer, Kircher, Bowman & Johnson

[56] References Cited

U.S. PATENT DOCUMENTS

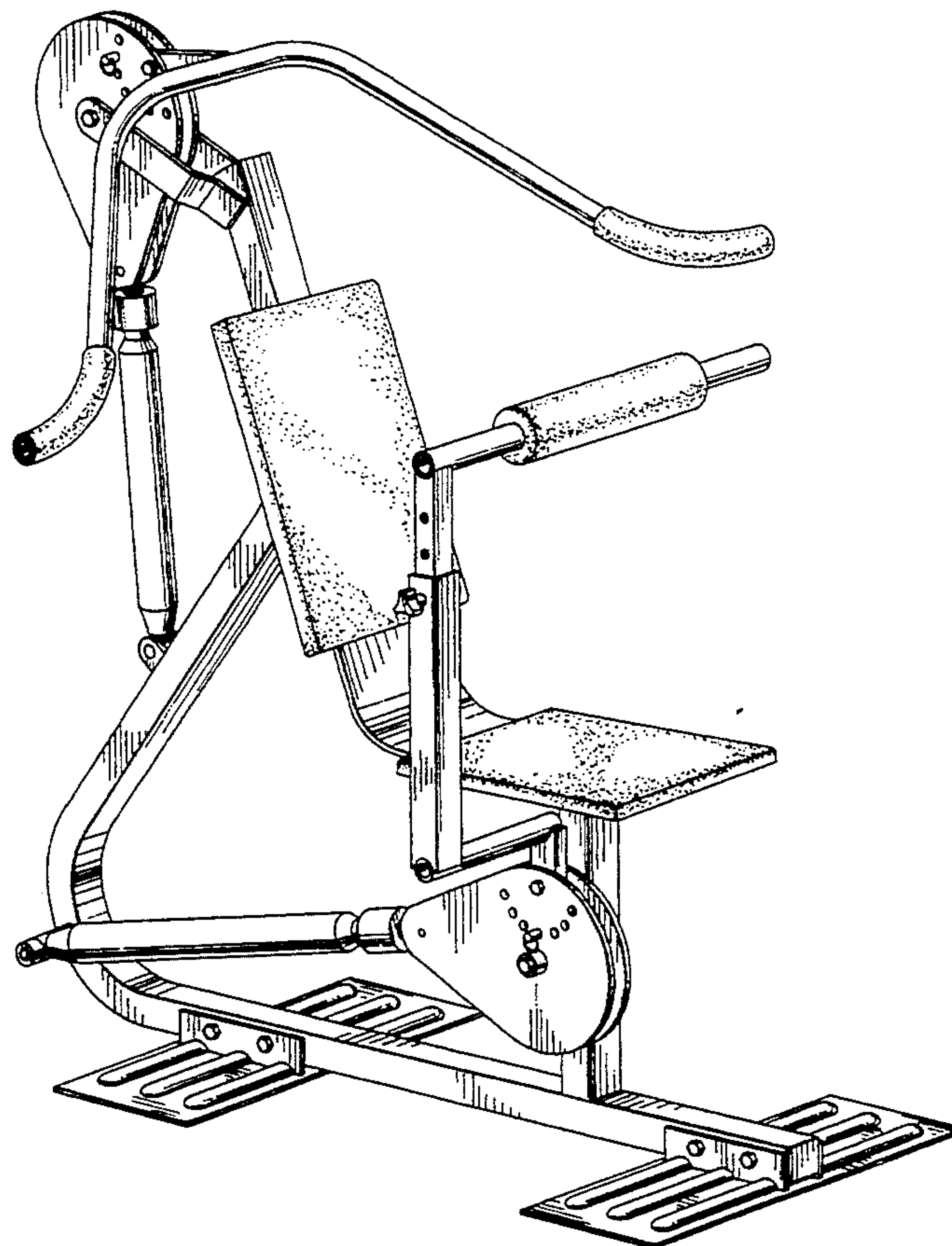
D. 263,978 4/1982 Brentham D21/195
 D. 271,603 11/1983 Berner D21/195
 4,072,309 2/1978 Wilson 482/130
 4,492,375 1/1985 Connelly 482/138
 4,582,320 4/1986 Shaw 482/130
 4,600,189 7/1986 Olschansky et al. 482/142
 4,606,540 8/1986 Chin-Sen .
 4,614,338 9/1986 Castillo .
 4,618,144 10/1986 Gibson .
 4,643,420 2/1987 Riley et al. 482/130
 4,720,099 1/1988 Carlson 482/92

[57] CLAIM

The ornamental design for an physical exerciser, as shown and described.

DESCRIPTION

FIG. 1 is a left side elevation view of an physical exerciser according to the present design;
 FIG. 2 is a top plan view thereof;
 FIG. 3 is a rear elevation view thereof;
 FIG. 4 is a front elevation view thereof;
 FIG. 5 is a right side elevation view thereof; and,
 FIG. 6 is a perspective view thereof.



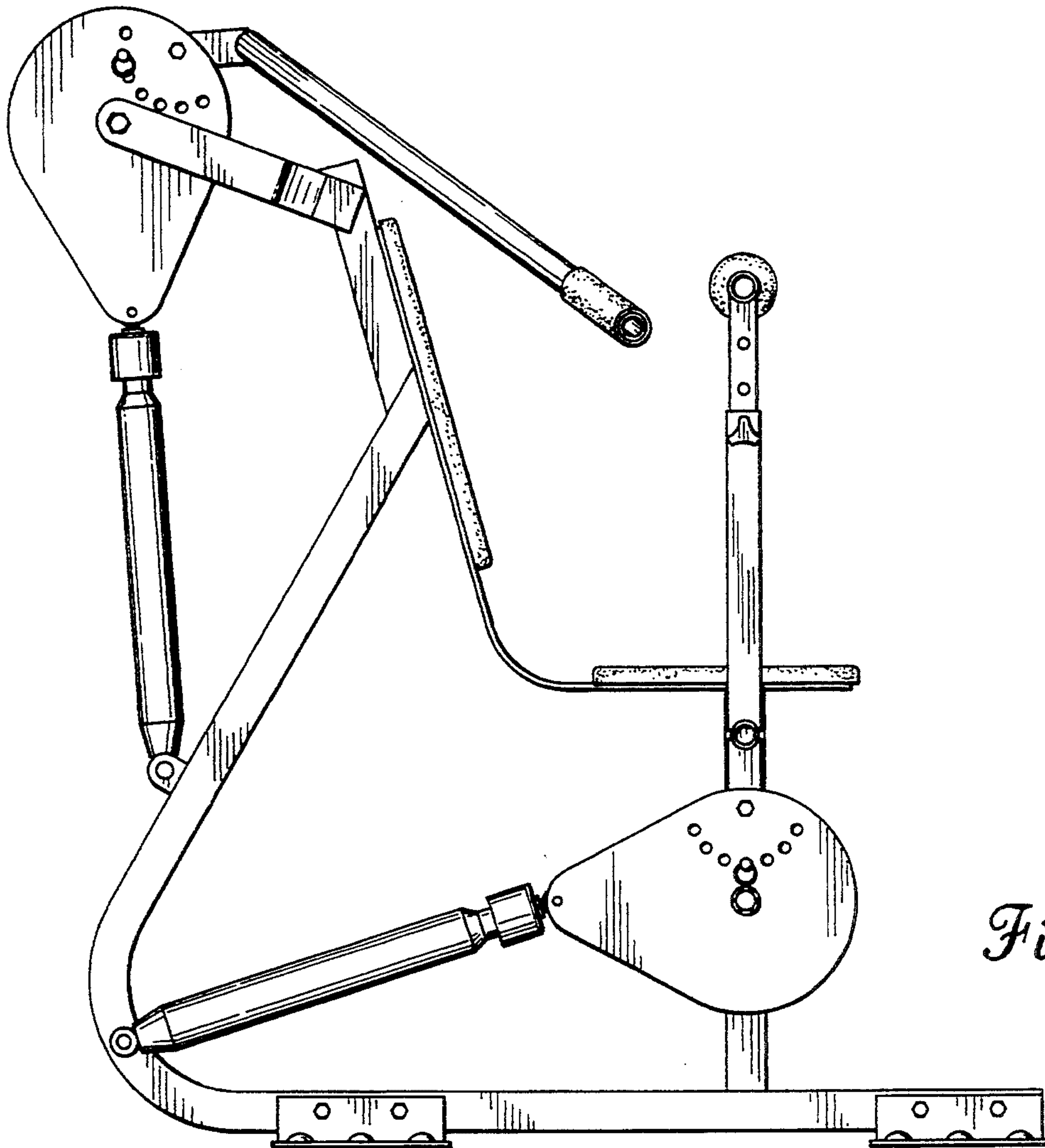


Fig. 1.

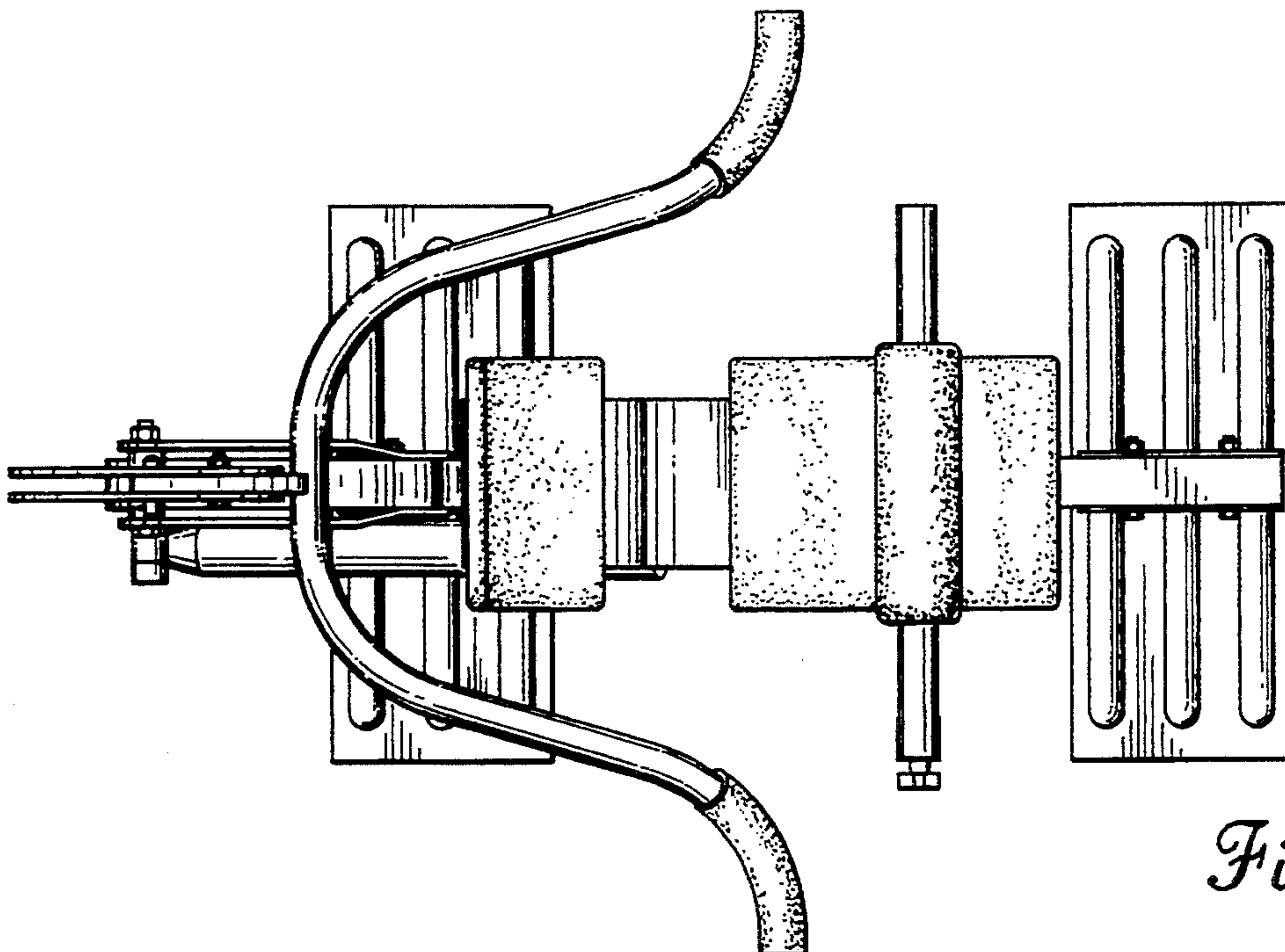


Fig. 2.

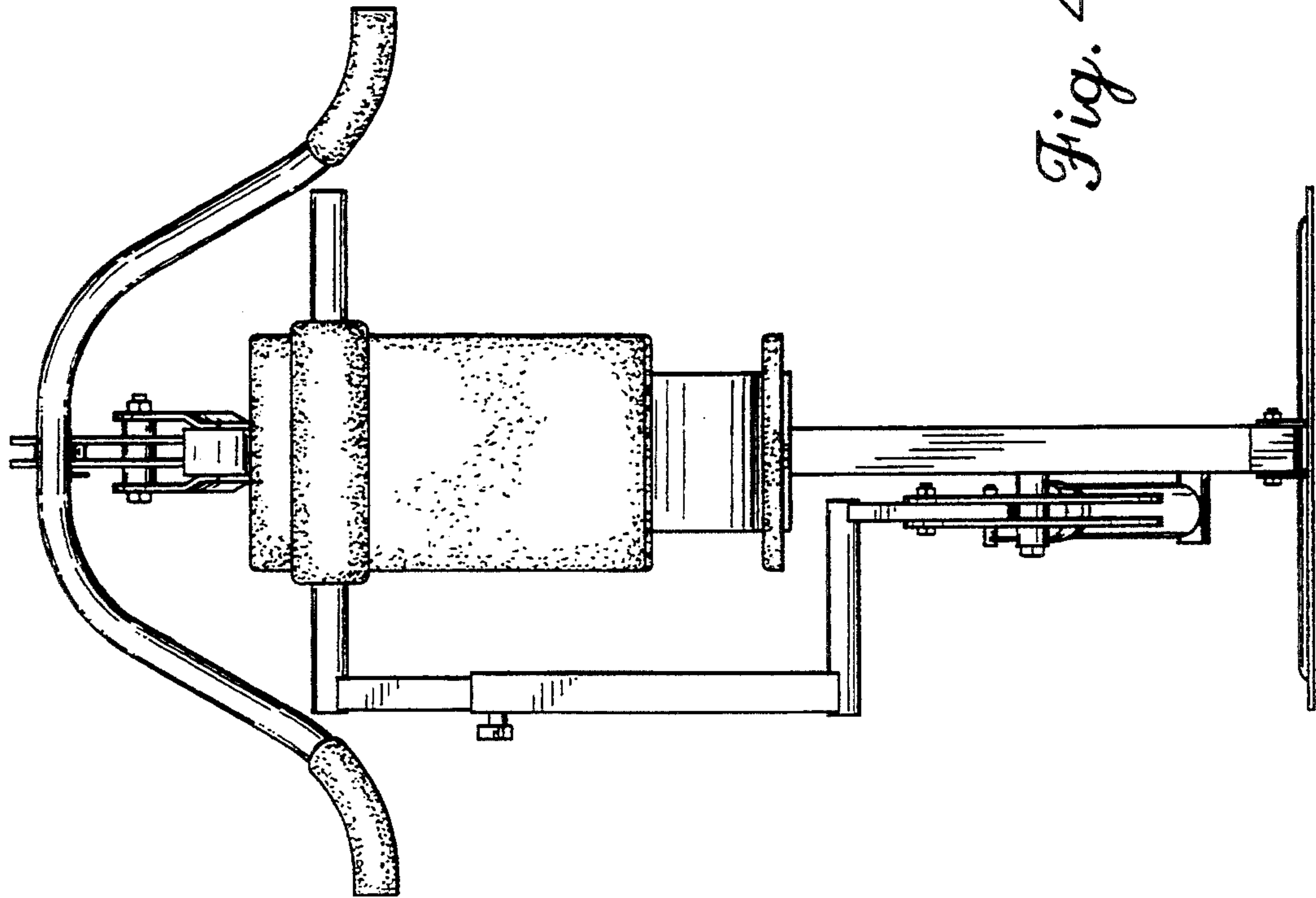


Fig. 4.

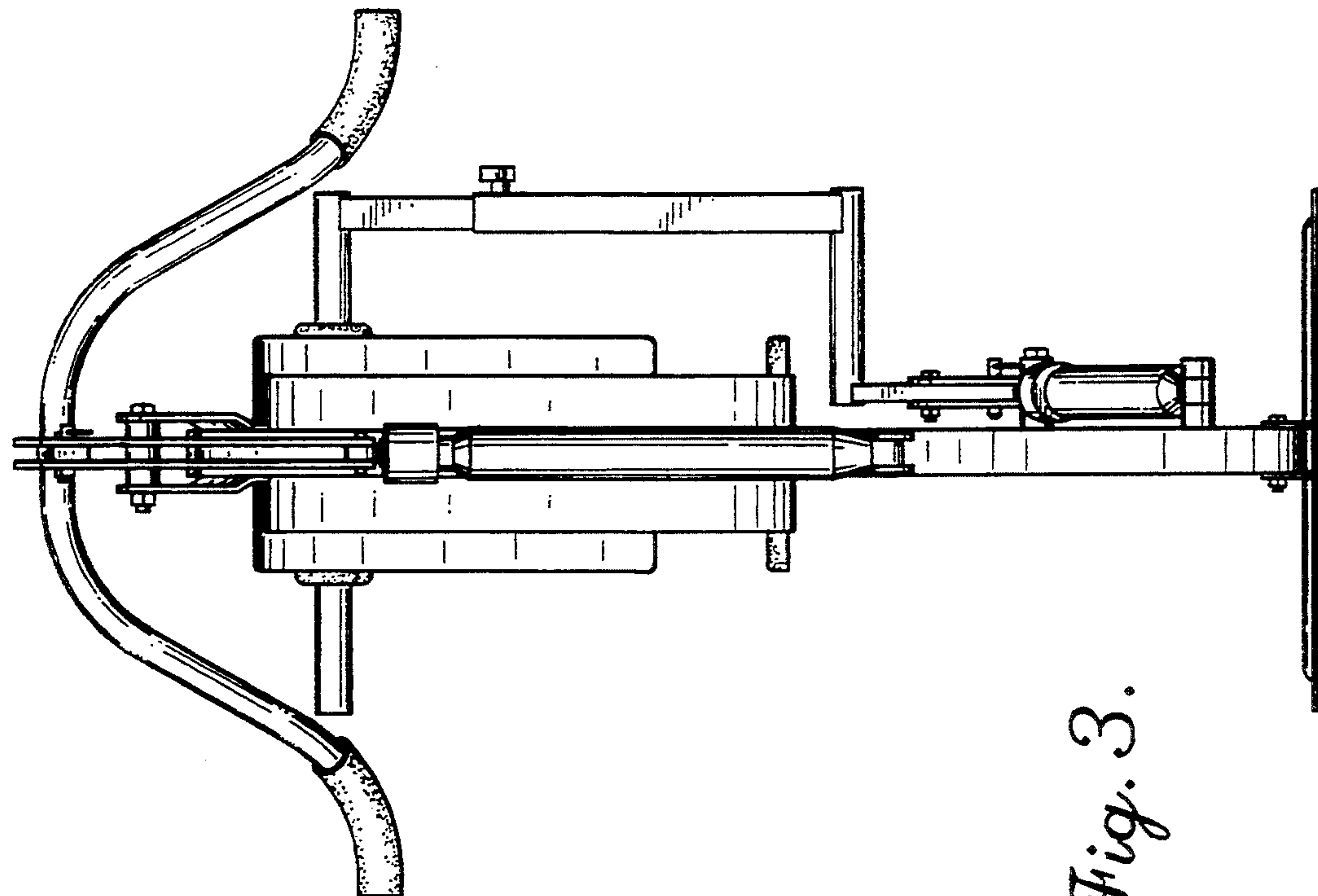
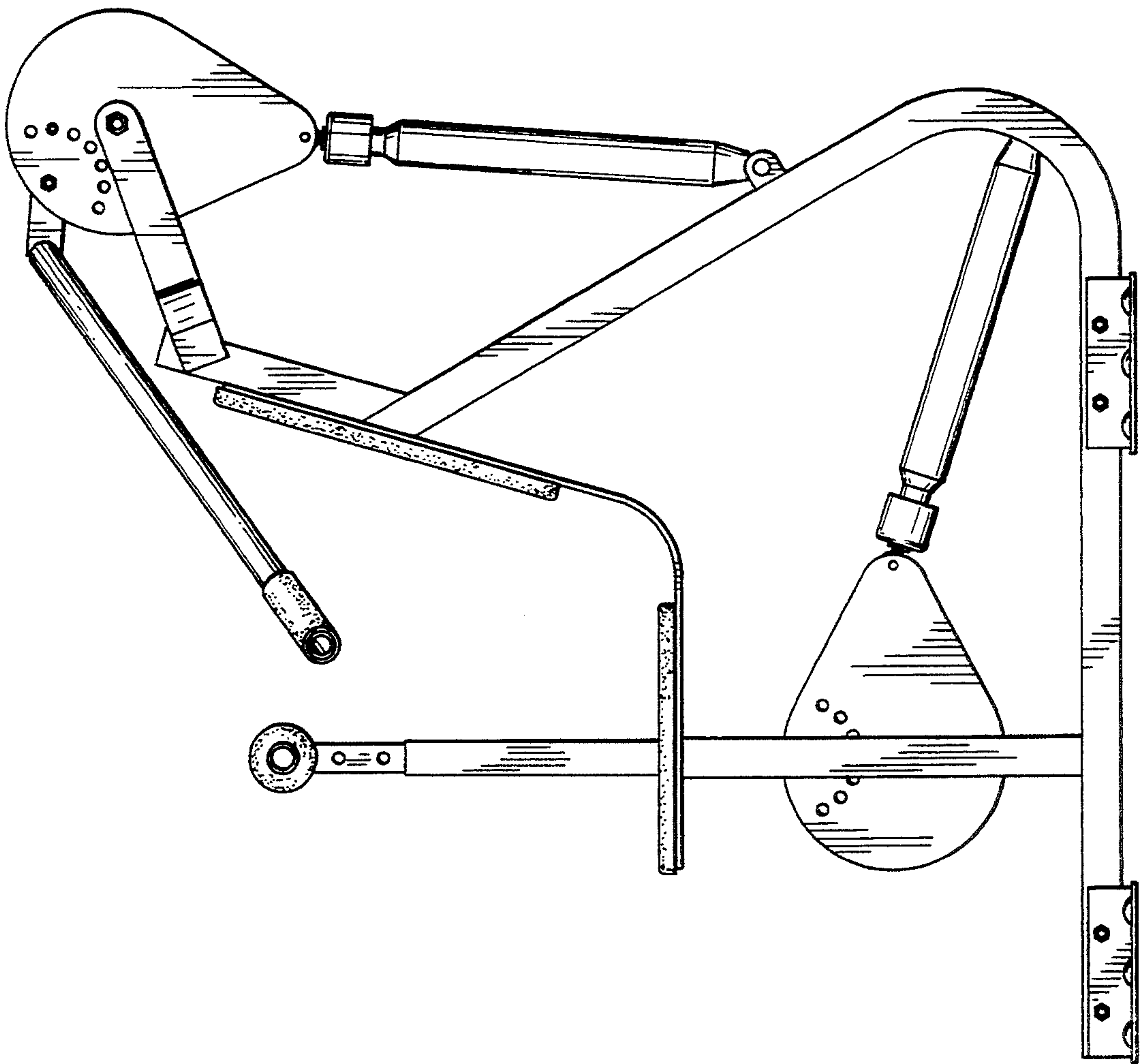


Fig. 3.

Fig. 5.



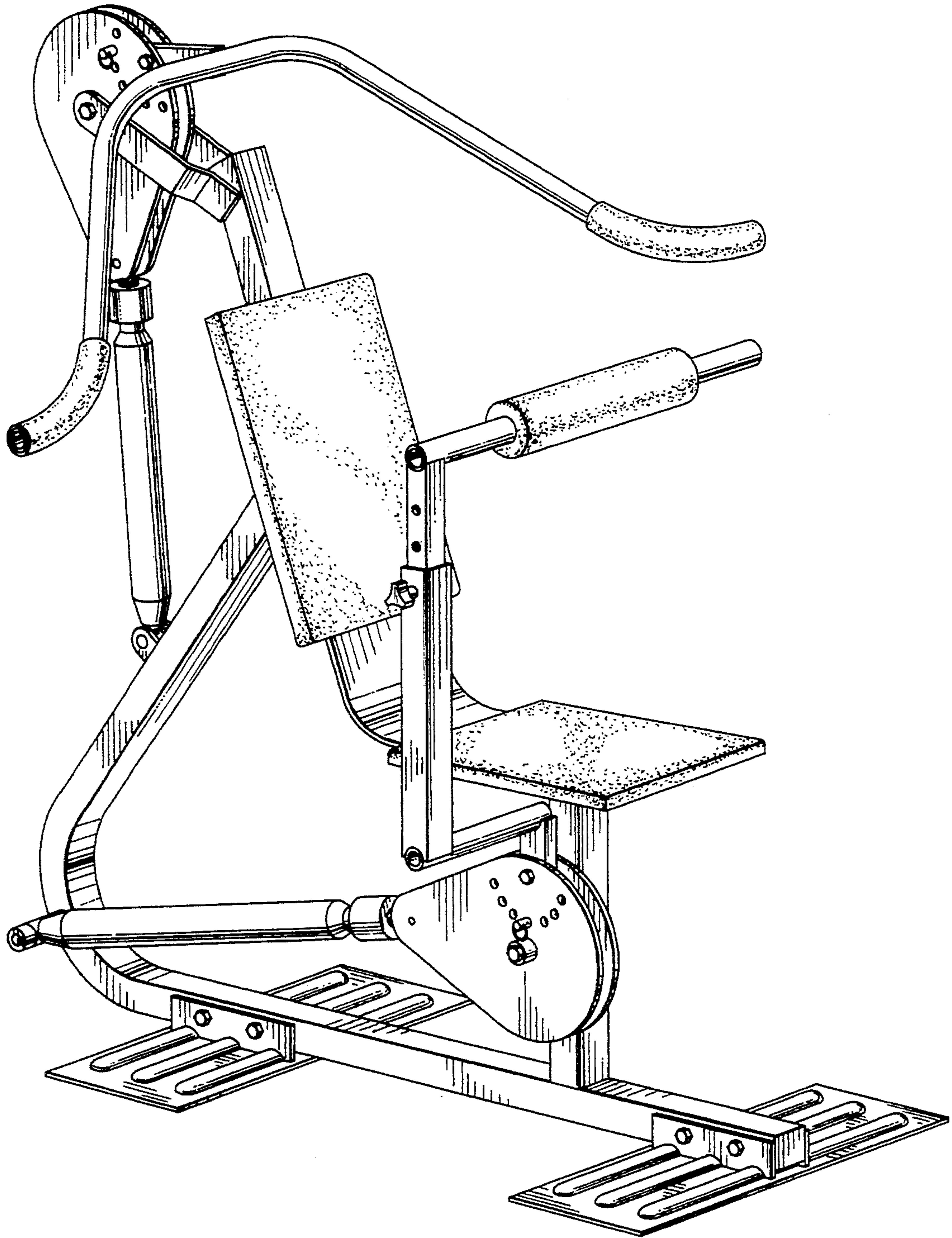


Fig. 6.