



US00D359316S

United States Patent [19]

[11] Patent Number: **Des. 359,316**

Huang

[45] Date of Patent: **** Jun. 13, 1995**

[54] **COLLAPSIBLE TOY STROLLER**

[76] Inventor: **Ming T. Huang**, 4th Fl., No. 302, Sec. 7, Cheng Teh Rd., Taipei, Taiwan, Prov. of China

[**] Term: **14 Years**

[21] Appl. No.: **17,372**

[22] Filed: **Jan. 12, 1994**

[52] U.S. Cl. **D21/134; D12/129**

[58] Field of Search **D21/128, 134, 123; D12/129; D6/333, 389, 390, 391; 446/76, 451, 465; 280/30, 31, 47.38, 642, 650, 658**

[56] **References Cited**

U.S. PATENT DOCUMENTS

D. 270,553	9/1983	Echterling	D21/134
D. 336,667	6/1993	Monneret	D21/134
D. 348,637	7/1994	Globerman et al.	D21/129
D. 352,259	11/1994	Kaneko	D12/129
2,407,779	9/1946	Grove, 3d	280/642
4,828,278	5/1989	Nakao et al.	280/658

4,953,887	9/1990	Takahashi et al.	280/647
5,087,066	2/1992	Mong-Hsing	280/658
5,244,228	9/1993	Chiu	280/642

Primary Examiner—Terry A. Wallace
Assistant Examiner—R. Barkai
Attorney, Agent, or Firm—Calvin B. Ward

[57] **CLAIM**

The ornamental design for a collapsible toy stroller, as shown and described.

DESCRIPTION

FIG. 1 is a front-right perspective view of a collapsible toy stroller, showing my new design; FIG. 2 is a front elevational view thereof; FIG. 3 is a rear elevational view thereof; FIG. 4 is a right elevational view thereof, the opposite side being a mirror image; FIG. 5 is a top plan view thereof; FIG. 6 is a bottom plan view thereof; and, FIG. 7 is a perspective view showing the collapsible toy stroller in a collapsed status.





FIG. 1

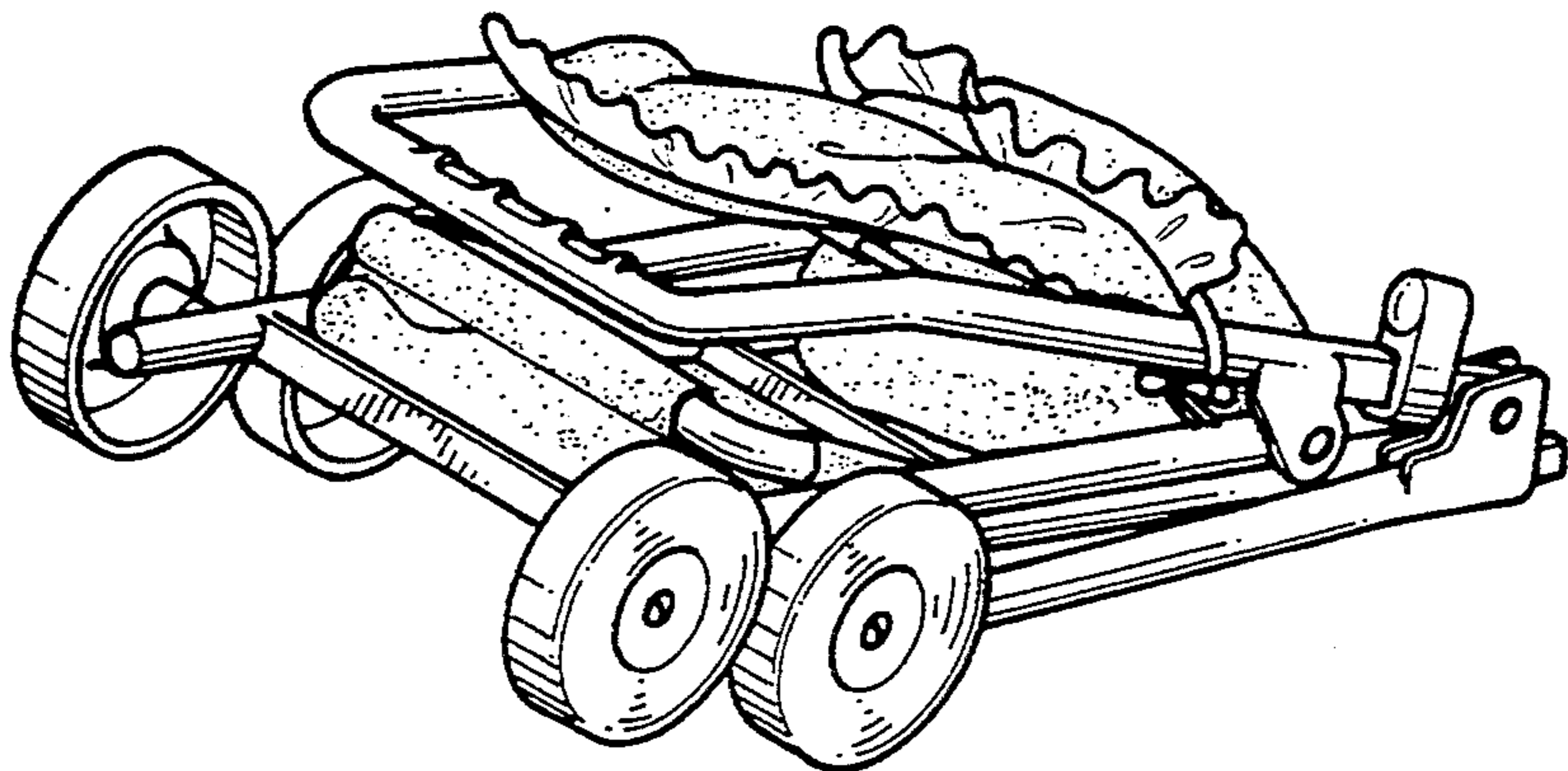


FIG. 7

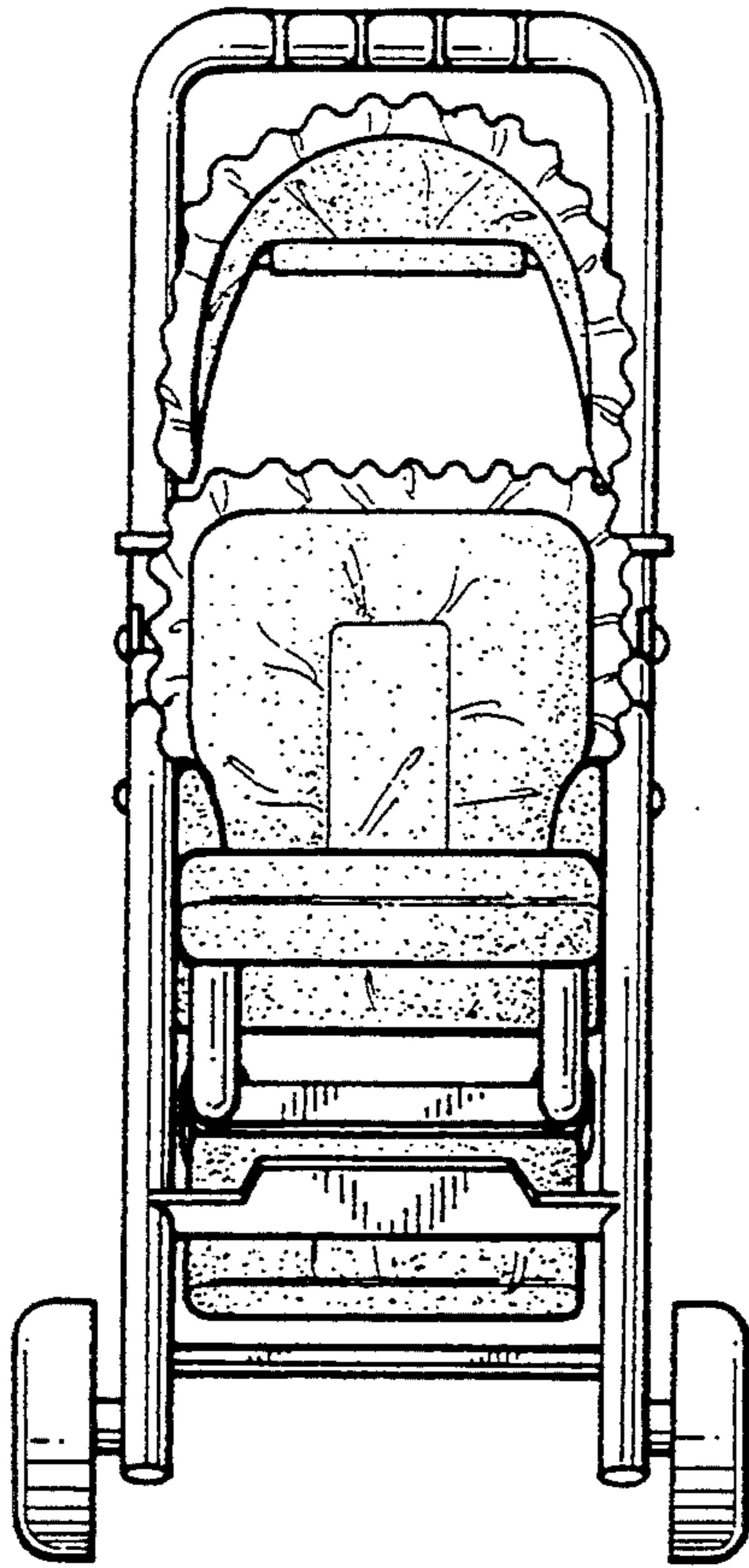


FIG. 2

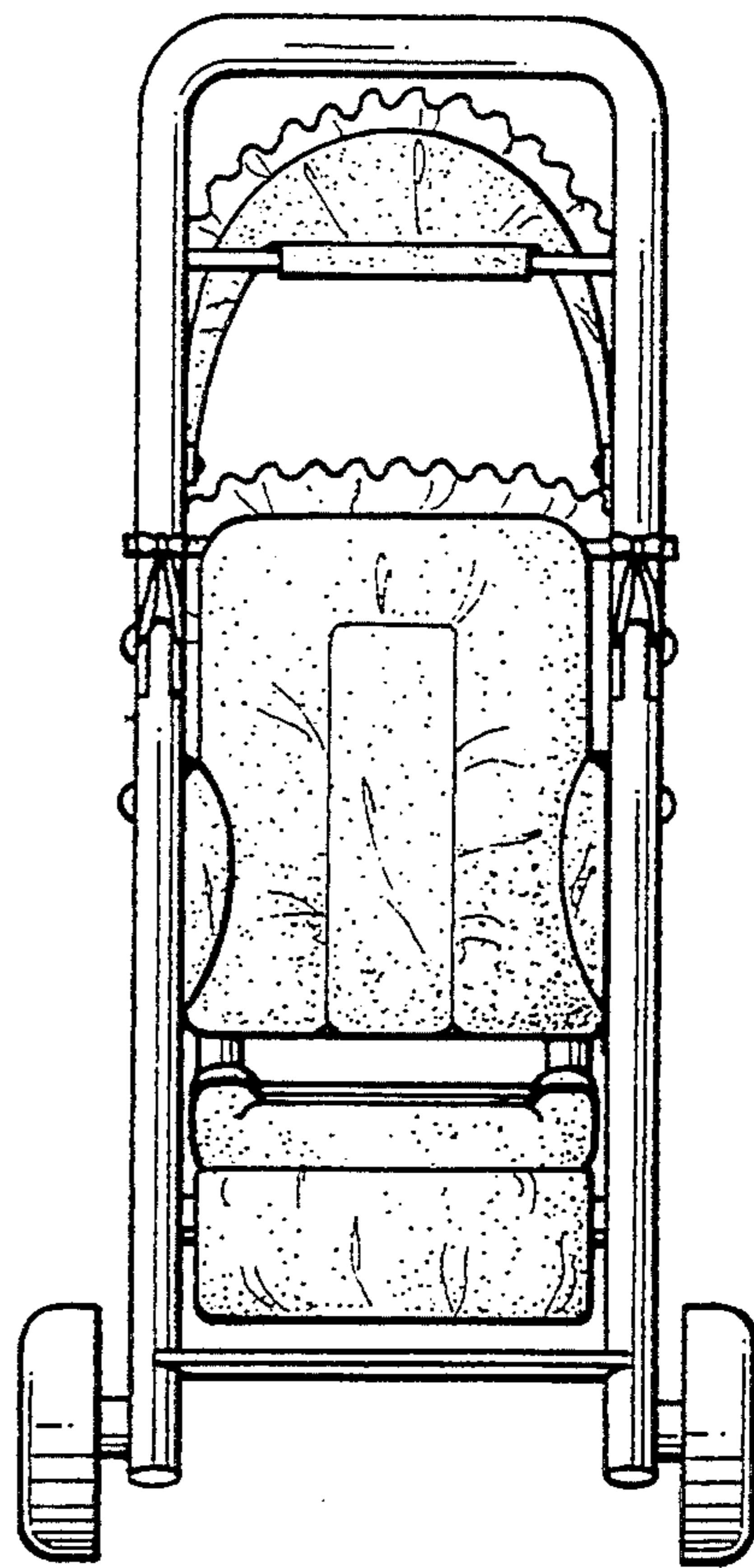


FIG. 3

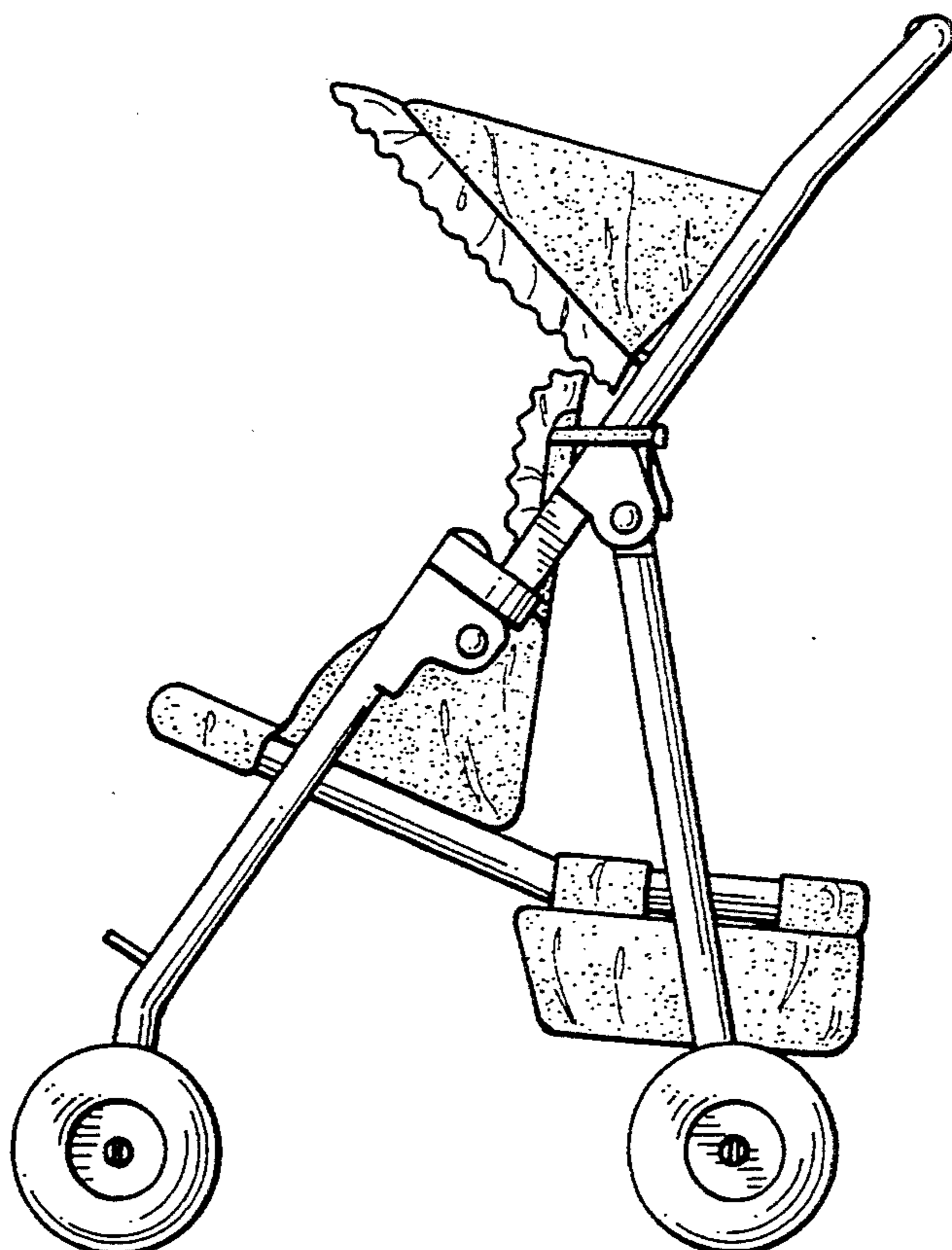


FIG. 4

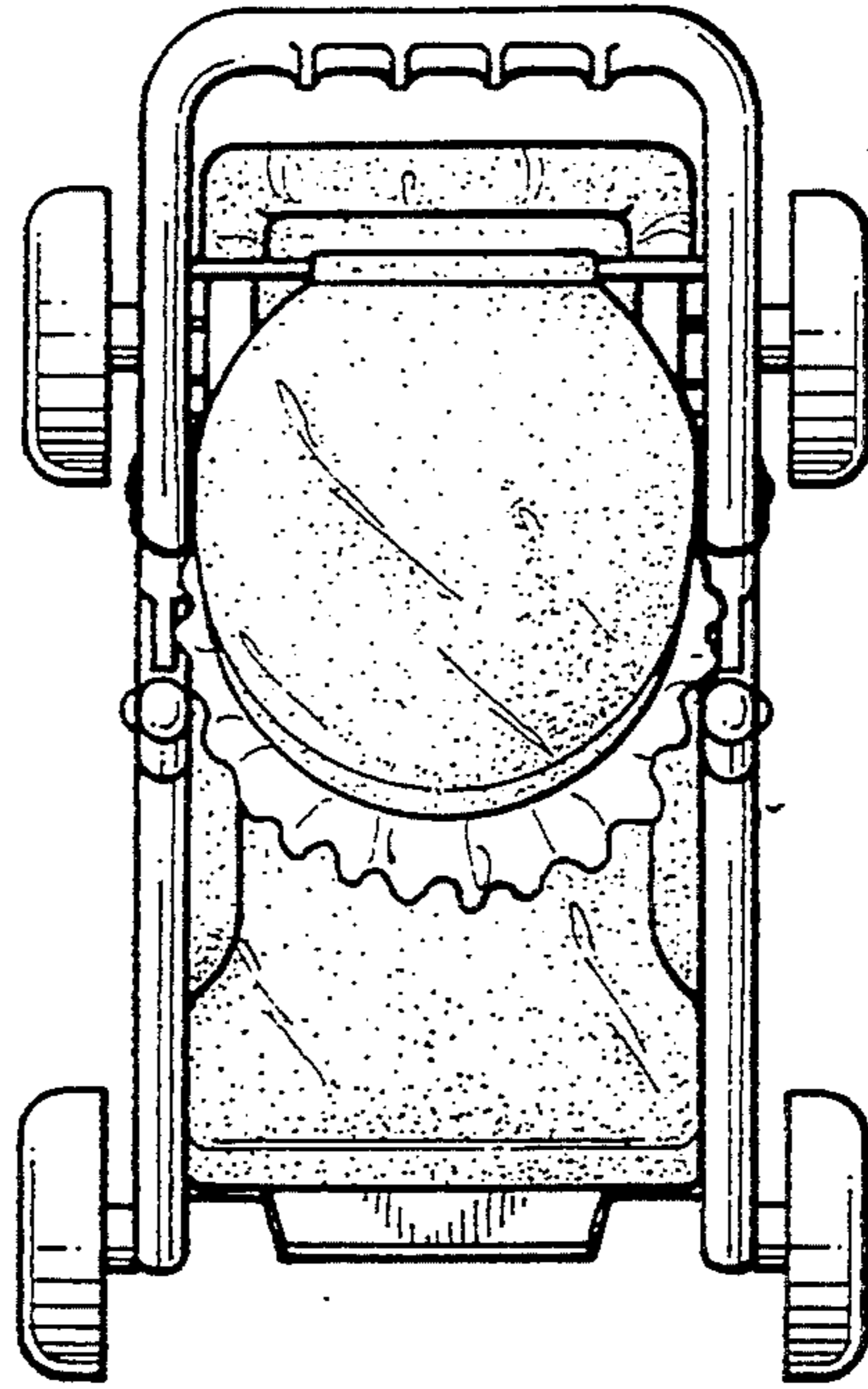


FIG. 5

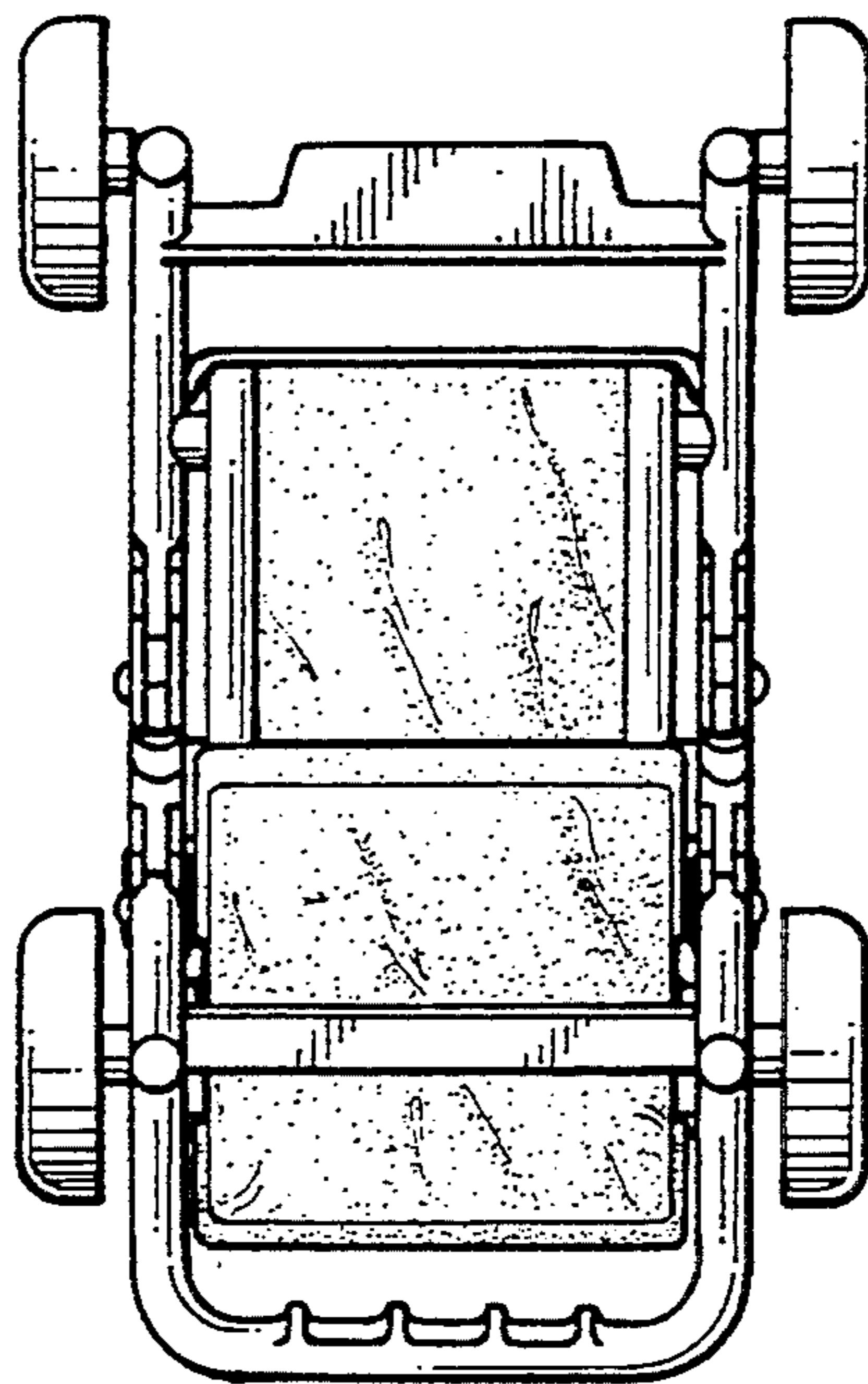


FIG. 6