



US00D359311S

United States Patent [19]

[11] Patent Number: **Des. 359,311**

Stangarone

[45] Date of Patent: **** Jun. 13, 1995**

[54] **DISPLAY SIGN**

FOREIGN PATENT DOCUMENTS

[76] Inventor: **Nicholas G. Stangarone**, 2613 Hobart Way, Modesto, Calif. 95351

503214 12/1954 Italy 40/209

[**] Term: **14 Years**

Primary Examiner—A. Hugo Word
Assistant Examiner—Marcus Jackson
Attorney, Agent, or Firm—Todd S. Parkhurst

[21] Appl. No.: **9,688**

[57] CLAIM

[22] Filed: **Jun. 21, 1993**

The ornamental design for a display sign, as shown and described.

[52] U.S. Cl. **D20/10**

DESCRIPTION

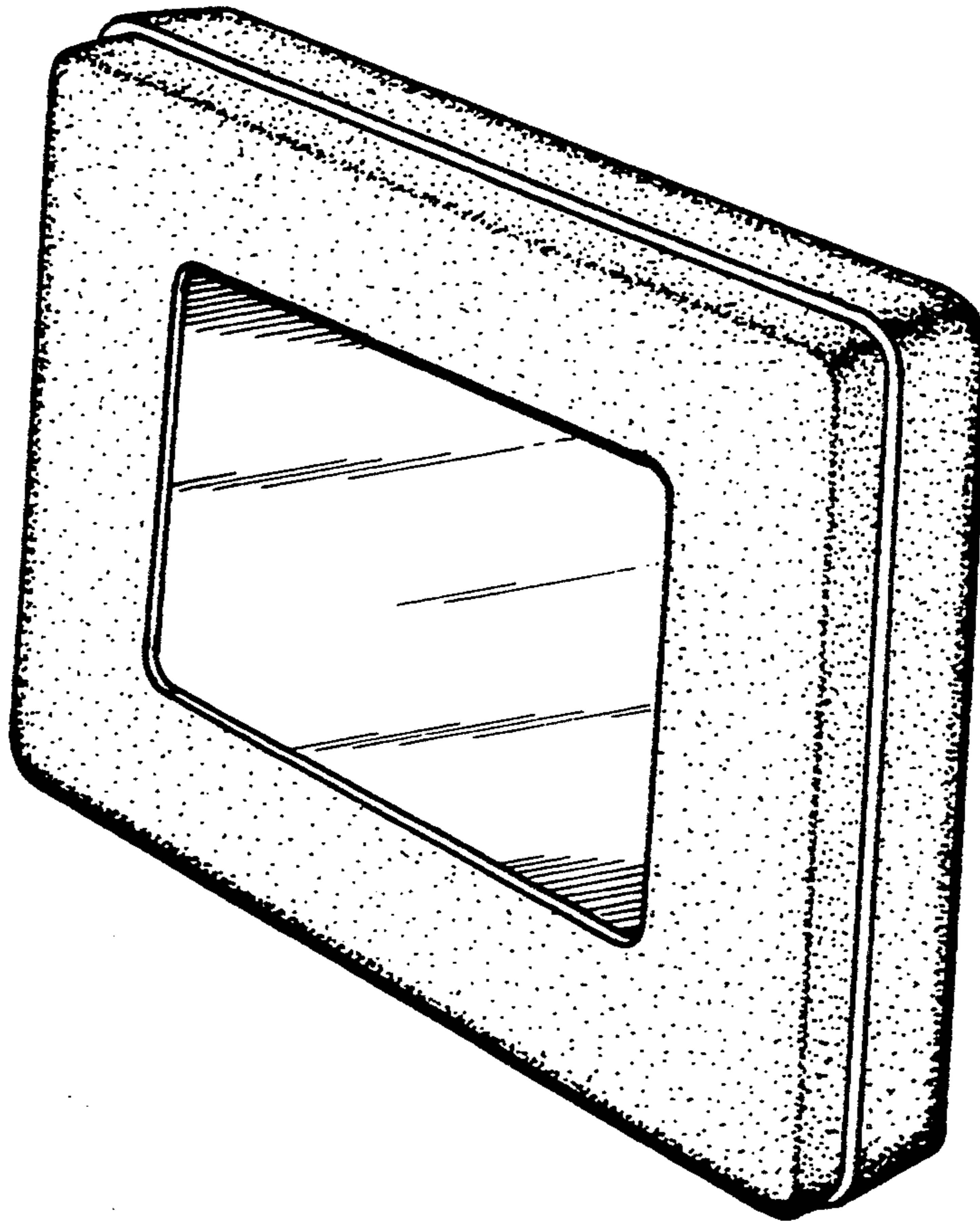
[58] Field of Search **D6/300-312;**
D20/10, 39, 40, 42; 40/1, 124, 124.1, 124.2,
124.4, 540, 541, 542, 564, 570, 584, 591, 624

FIG. 1 is a perspective view of a display sign showing my new design;
FIG. 2 is a front elevational view thereof;
FIG. 3 is a top view thereof;
FIG. 4 is a bottom plan view thereof, with the broken line showing for illustrative purposes only and forming no part of the claimed design;
FIG. 5 is a rear elevational view thereof;
FIG. 6 is a right side elevational view thereof, with the opposite side being a mirror image; and,
FIG. 7 is a perspective view of a second embodiment thereof, wherein the only difference resides in the housing being shown vertically.

[56] References Cited

U.S. PATENT DOCUMENTS

D. 205,493	8/1966	Vogt	D20/10
2,270,301	1/1942	Howe et al.	40/545
3,327,420	6/1967	Kuhl	40/545
4,261,125	4/1981	Rappaport	40/564
4,373,283	2/1983	Swartz	40/545
4,703,574	11/1987	Garjian	40/545



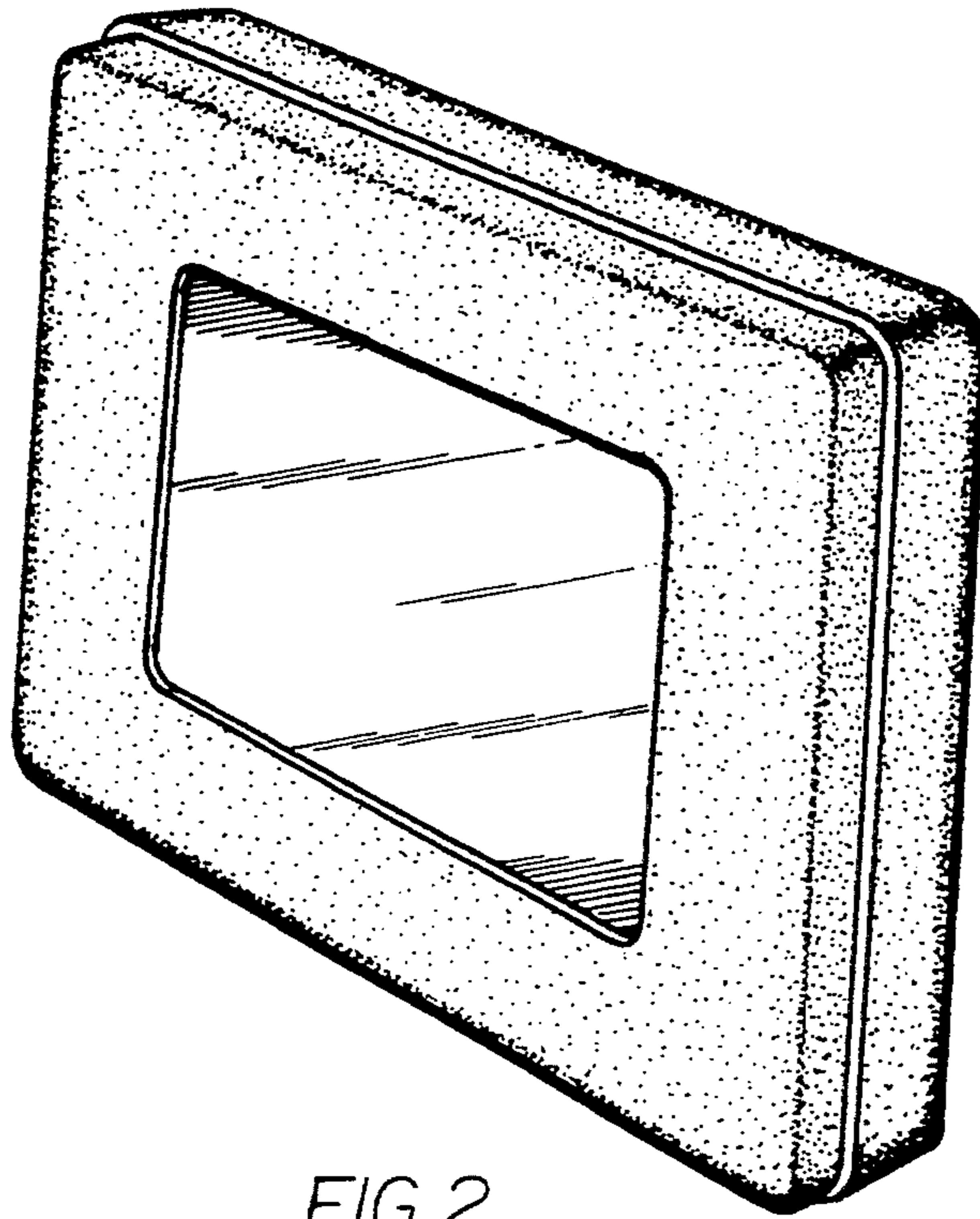


FIG. 2

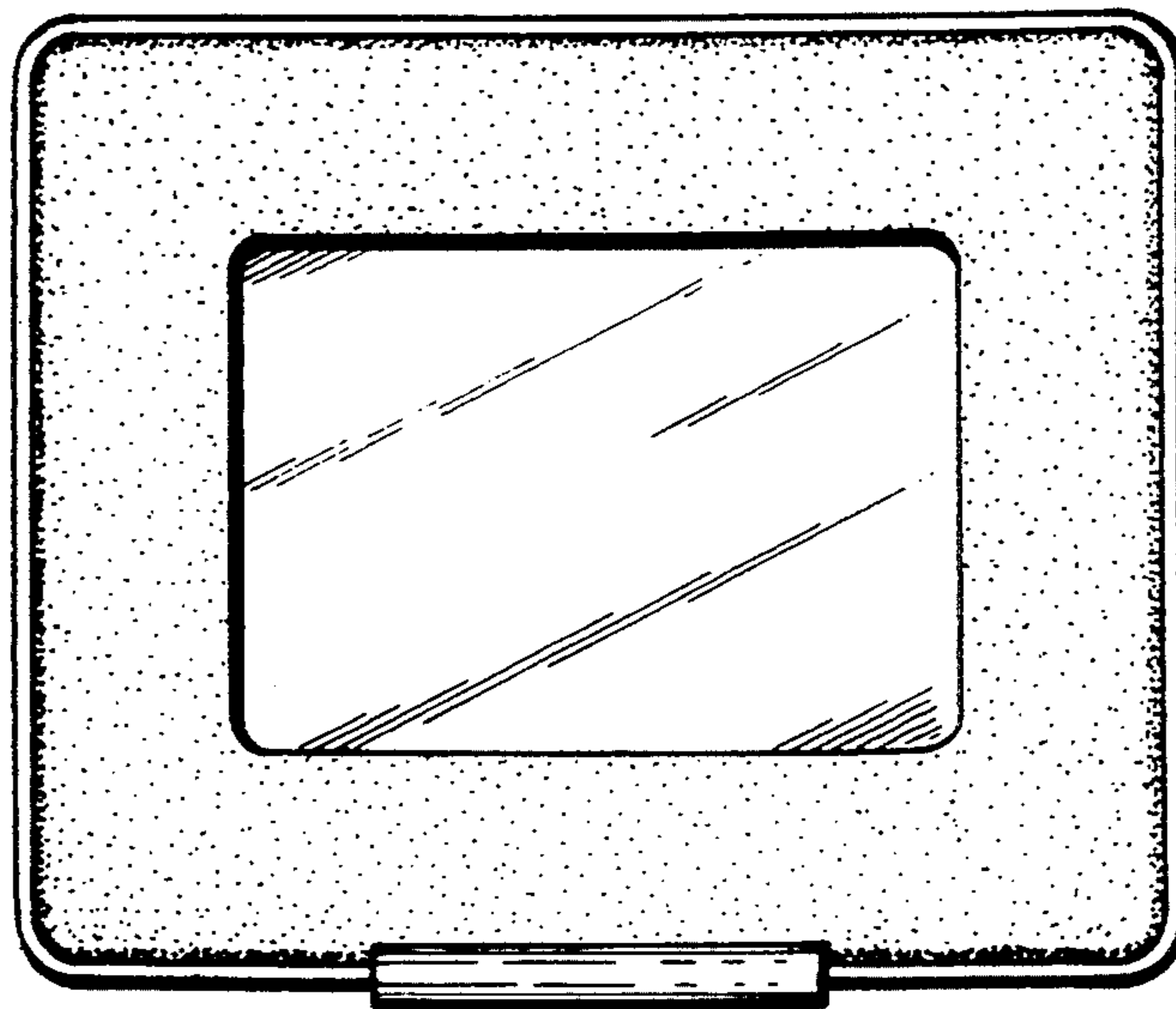


FIG. 3



FIG. 4

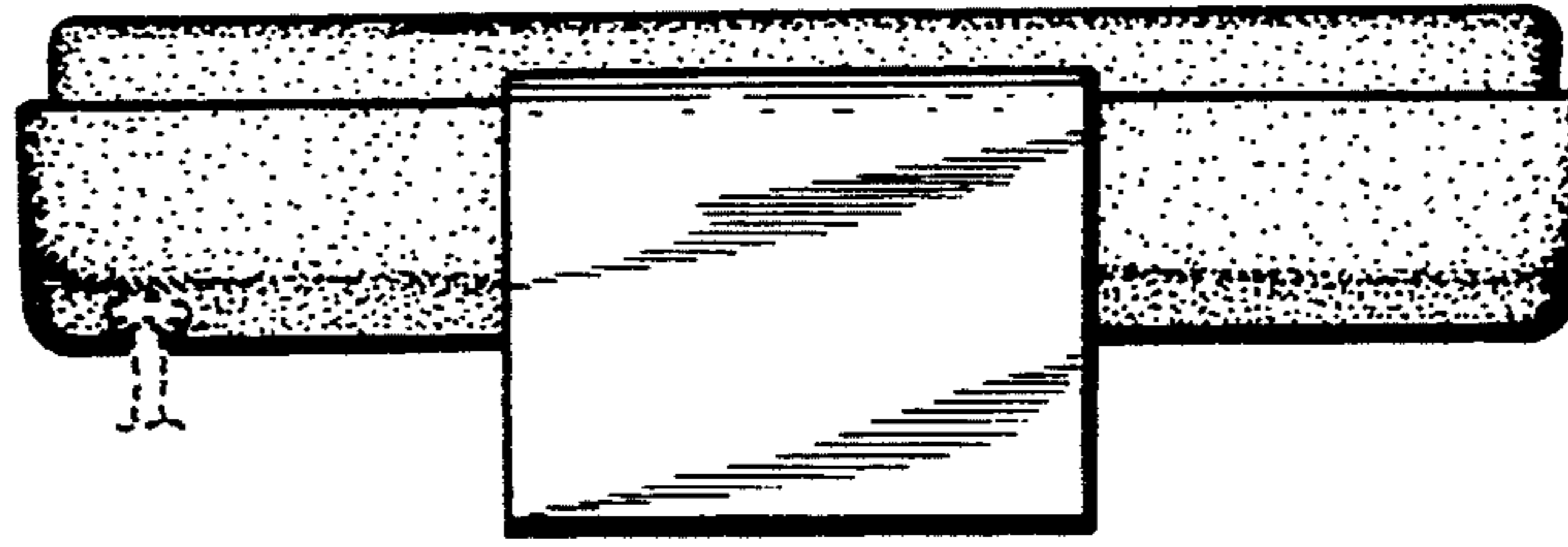


FIG. 5

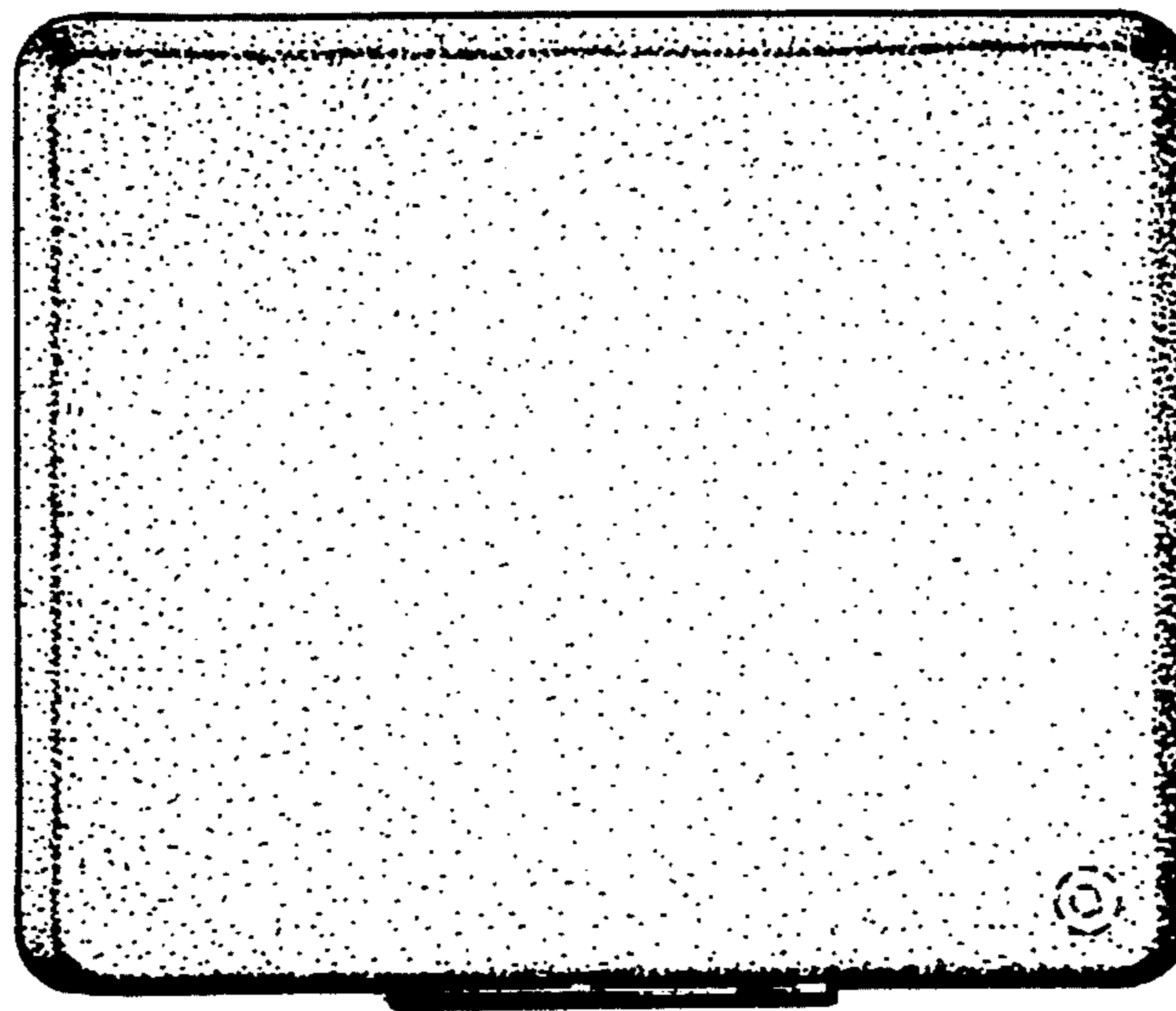


FIG. 6

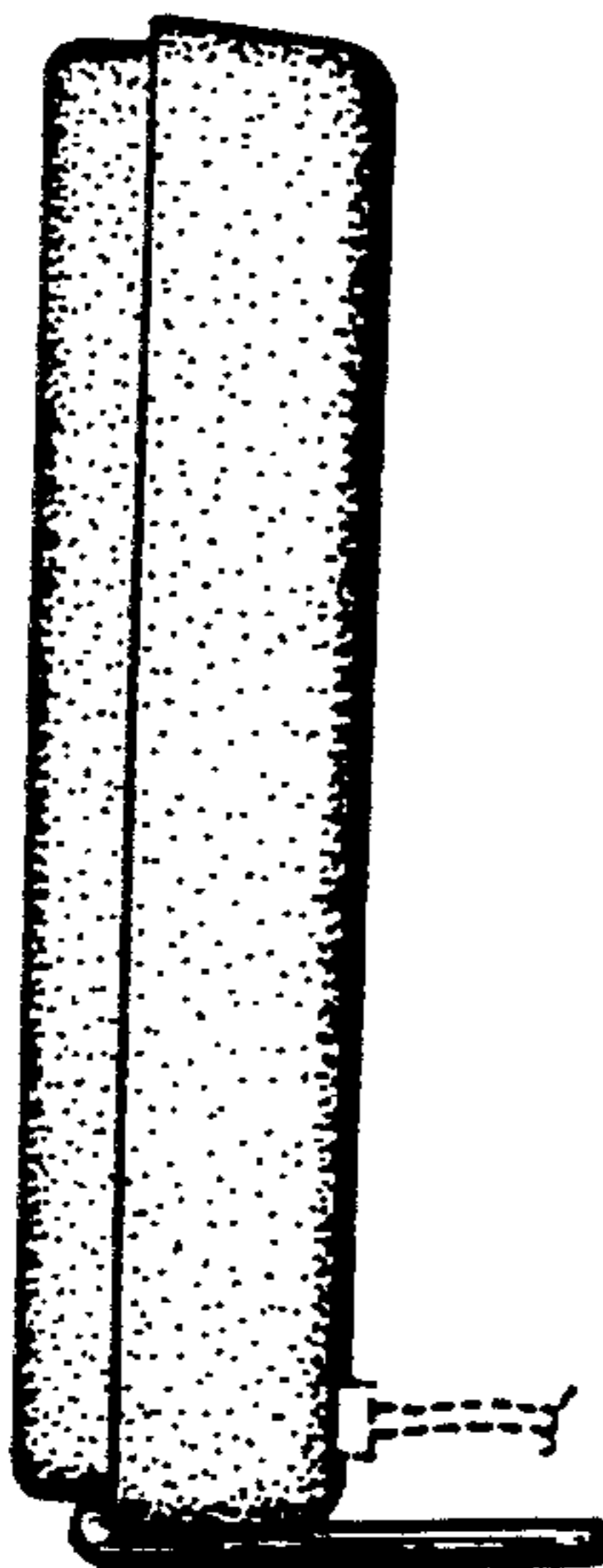


FIG. 7

