



US00D359310S

United States Patent [19]

[11] Patent Number: **Des. 359,310**

Su

[45] Date of Patent: **** Jun. 13, 1995**

[54] **FILE FOLDER**

[76] Inventor: **Ken-Jui Su**, 58, Ma Yuan West St., Taichung, Taiwan, Prov. of China

[**] Term: **14 Years**

[21] Appl. No.: **21,455**

[22] Filed: **Apr. 18, 1994**

[52] U.S. Cl. **D19/90; D3/249; D19/26; D19/86**

[58] Field of Search **D3/249-253; D19/26, 65, 75, 78, 86, 90, 91, 99, 100; 206/214, 425, 232; 281/29, 30, 31**

[56] **References Cited**

U.S. PATENT DOCUMENTS

D. 344,181	2/1994	Guzman-Rosario	D3/249
635,582	10/1899	Pedrick	206/425
4,260,055	4/1981	Slaybaugh	206/232
4,932,520	6/1990	Ciarcia et al.	206/232
4,966,318	10/1990	Dutka	206/425 X

5,062,530	11/1991	Mitsuyama	229/72 X
5,170,889	12/1992	Cue	206/232
5,271,502	12/1993	Chang	206/425

Primary Examiner—Martie Thompson

[57] **CLAIM**

The ornamental design for a file folder, as shown and described.

DESCRIPTION

FIG. 1 is a perspective view of a file folder showing my new design, in which the file folder is in an open position;

FIG. 2 is a right side elevational view thereof, the left side being a mirror image of that shown;

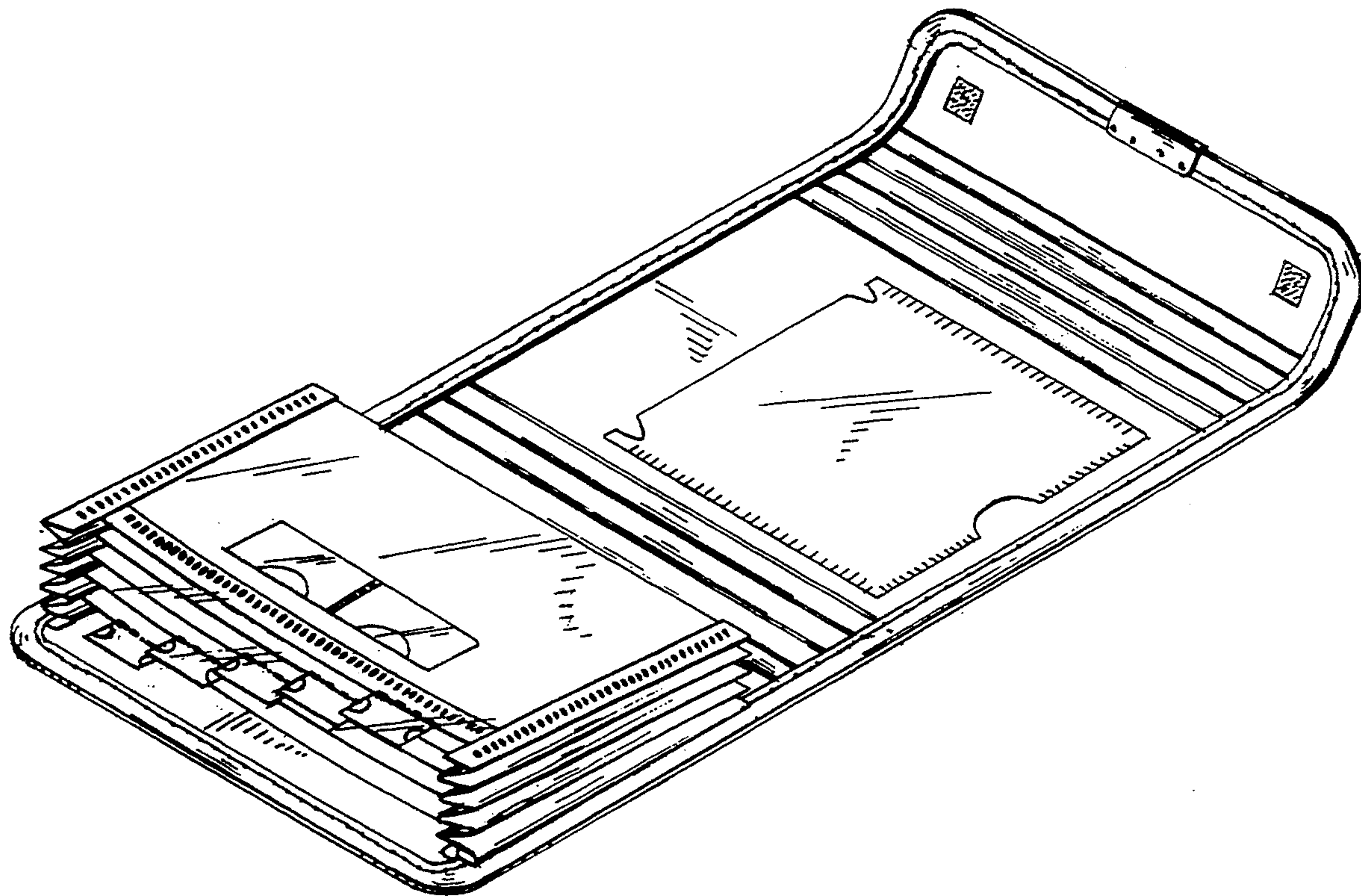
FIG. 3 is a top plan view thereof;

FIG. 4 is a bottom plan view thereof;

FIG. 5 is a front elevational view thereof;

FIG. 6 is a rear elevational view thereof; and,

FIG. 7 is a perspective view illustrating the closed position of the file folder.



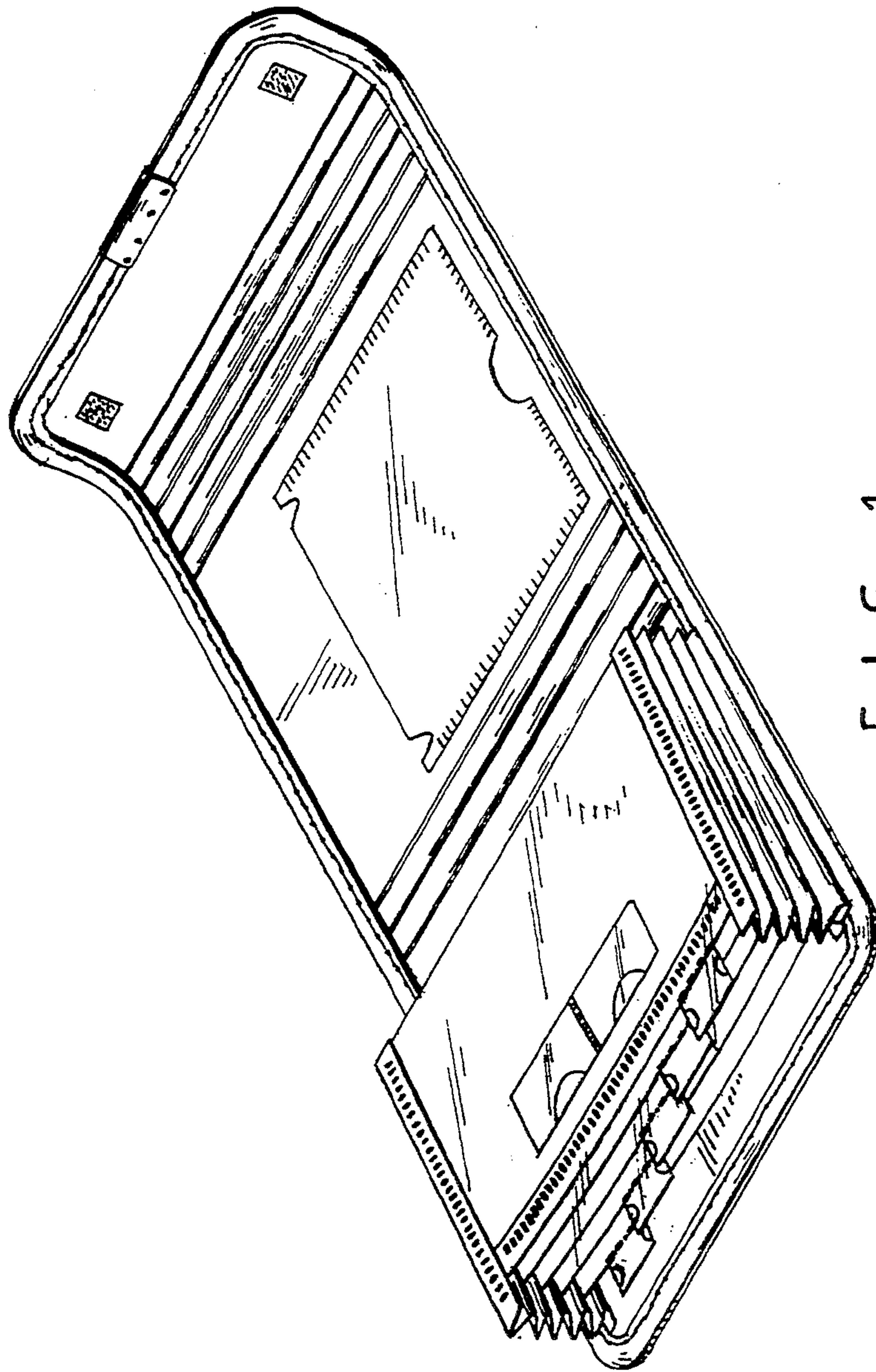


FIG. 1

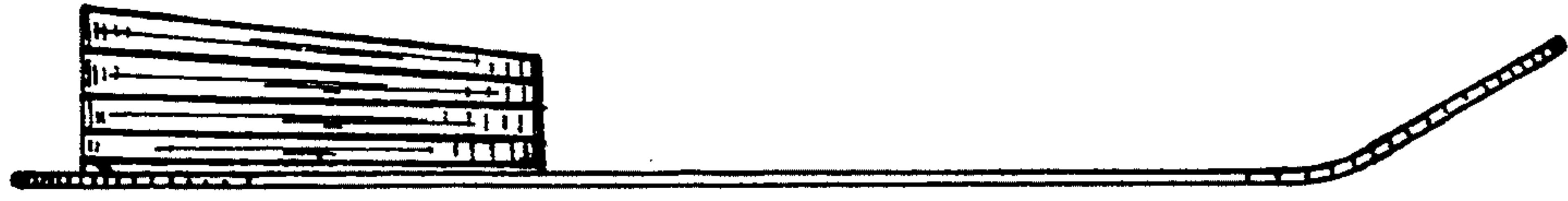


FIG. 2

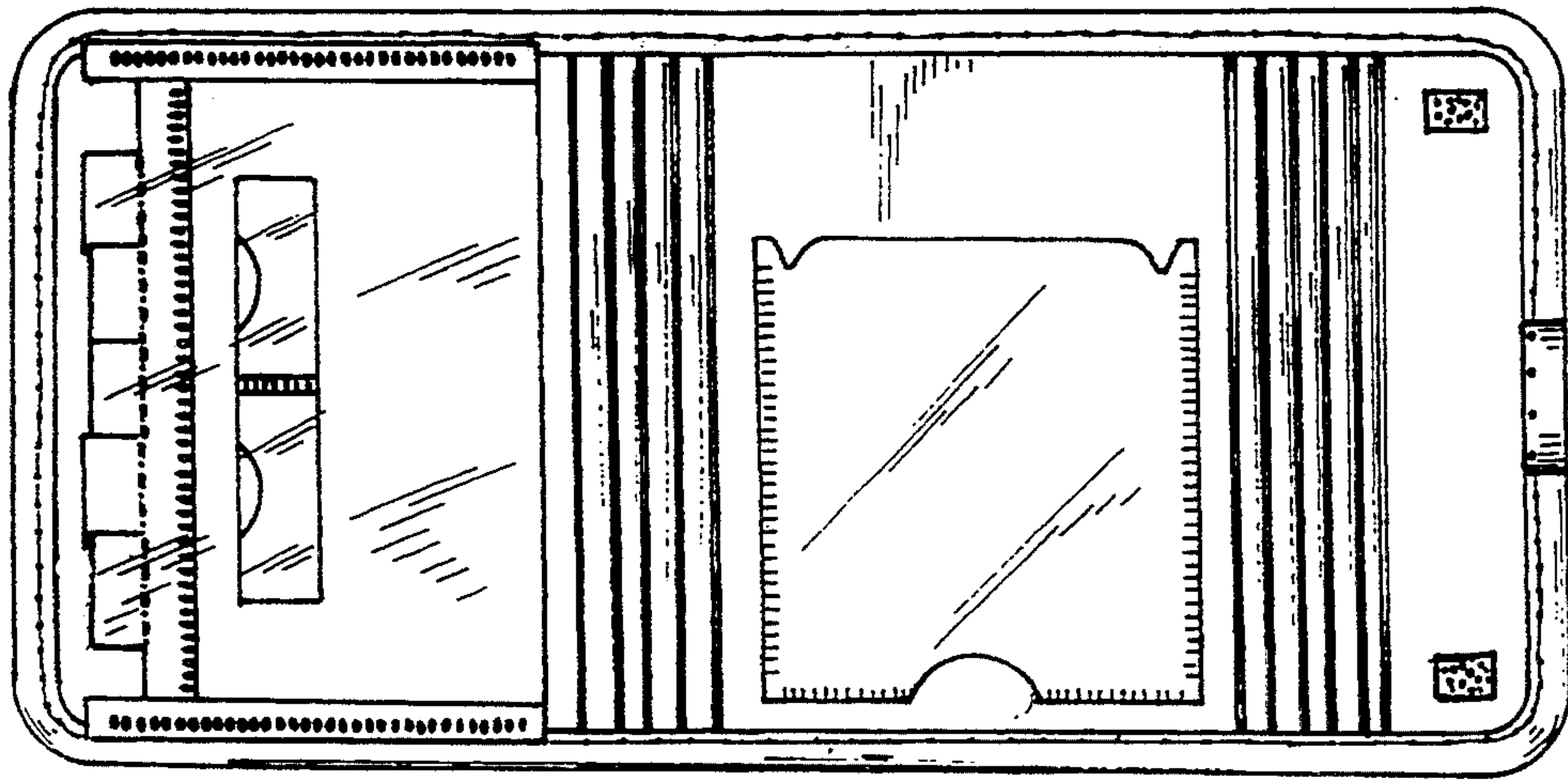


FIG. 3

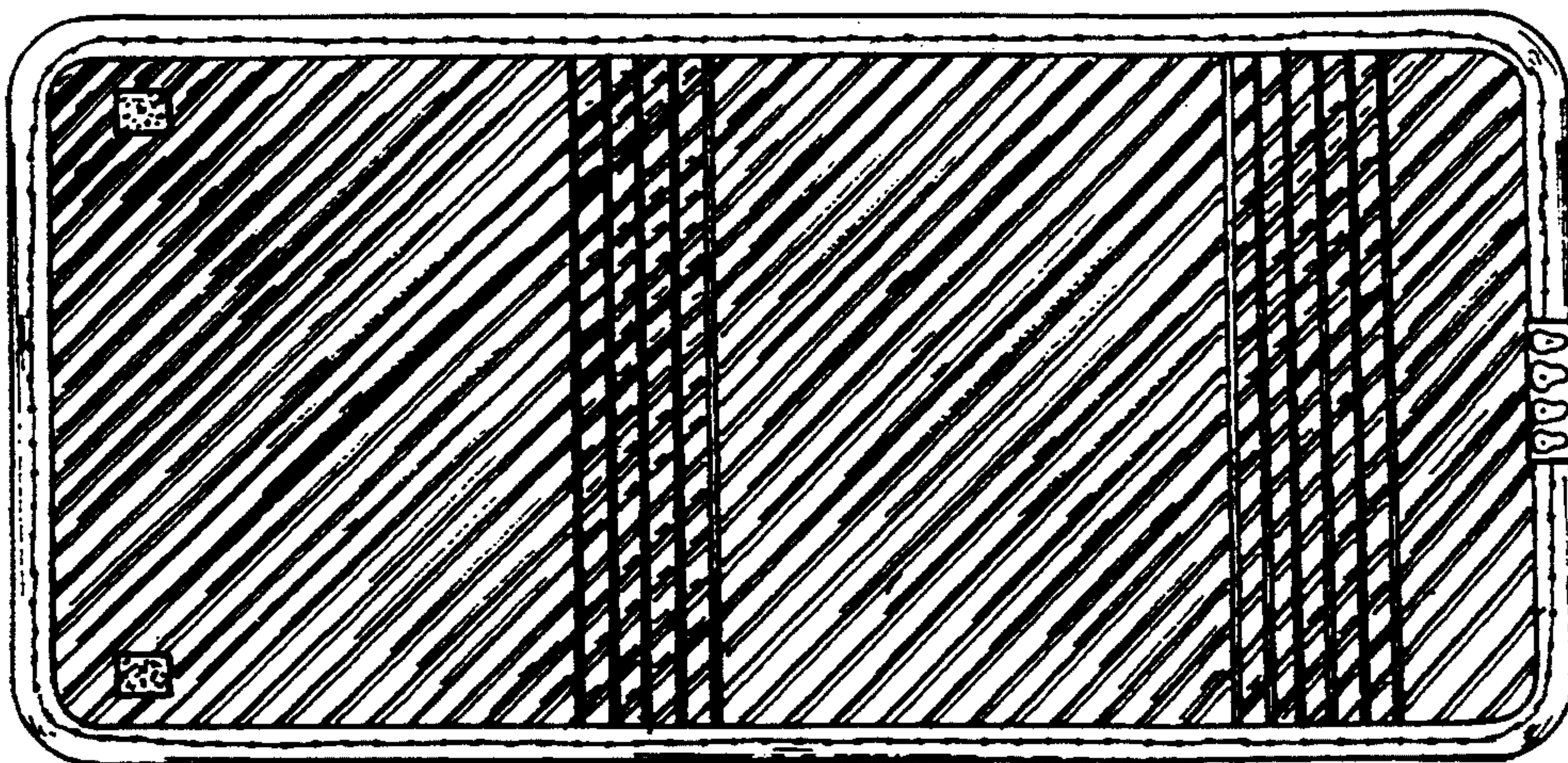


FIG. 4

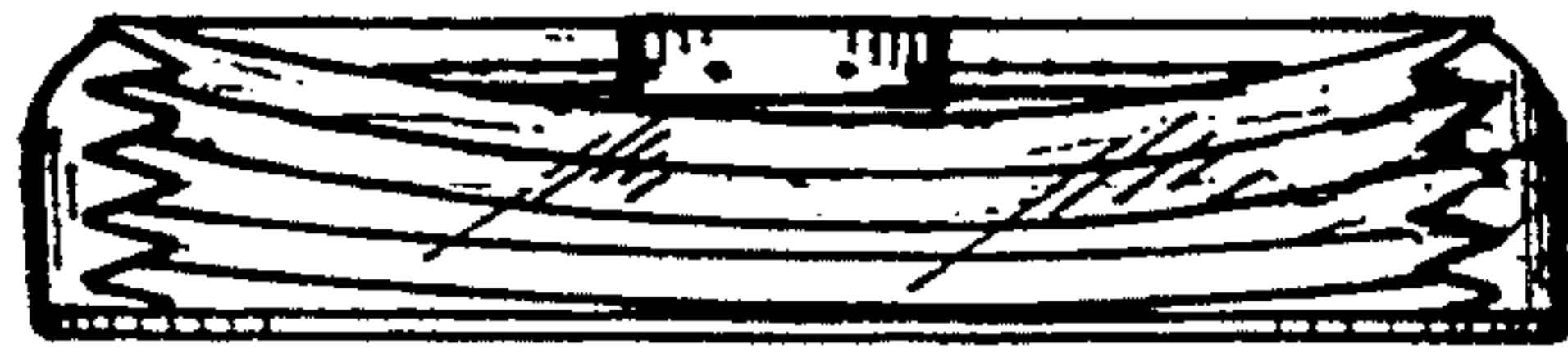


FIG. 5

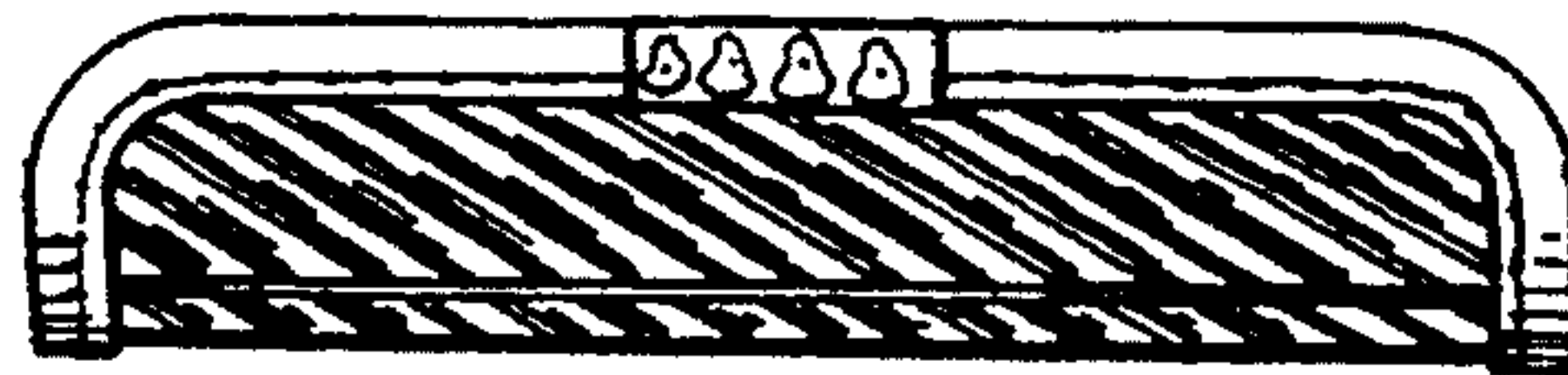


FIG. 6

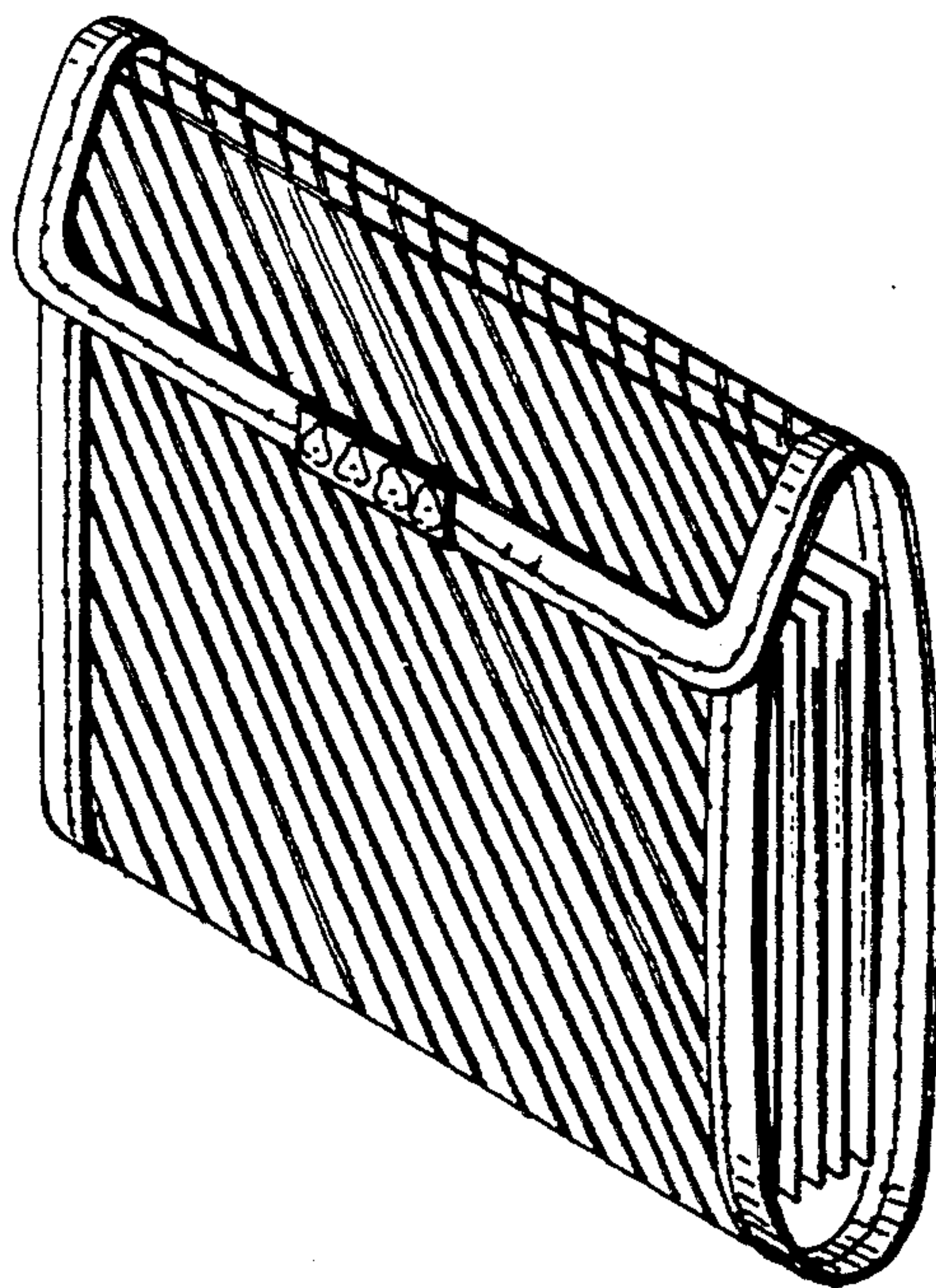


FIG. 7