



US00D359304S

# United States Patent [19]

[11] Patent Number: **Des. 359,304**

Smith et al.

[45] Date of Patent: **\*\* Jun. 13, 1995**

[54] **TONER CARTRIDGE**

[75] Inventors: **Bren R. Smith, Henrietta; Donald E. Snyder, Jr., Brockport, both of N.Y.**

[73] Assignee: **Nu-Kote International, Inc., Rochester, N.Y.**

[\*\*] Term: **14 Years**

[21] Appl. No.: **10,113**

[22] Filed: **Jun. 28, 1993**

[52] U.S. Cl. .... **D18/43**

[58] Field of Search ..... **D18/36, 40, 43; 222/DIG. 1; 355/206, 208, 245, 260, 298**

[56] **References Cited**

**U.S. PATENT DOCUMENTS**

- D. 208,377 8/1967 Wagner et al. .... D18/43
- D. 252,557 8/1979 Walker et al. .... D18/43
- D. 267,409 12/1982 Gross et al. .... D18/43
- 3,224,031 12/1965 Leland ..... 222/171
- 3,338,410 8/1967 South ..... D18/43 X
- 3,339,807 9/1967 Eichorn ..... 222/171
- 3,618,826 11/1971 Kangas ..... 222/DIG. 1 X
- 3,923,391 12/1975 Washio et al. .... D18/43 X
- 4,061,083 12/1977 Caliva ..... 99/345
- 4,135,642 1/1979 Forward et al. .... 222/DIG. 1 X
- 4,625,895 12/1986 Tsukano ..... 222/63

- 4,688,926 8/1987 Manno ..... D18/43 X
- 4,827,307 5/1989 Zoltner ..... D18/43 X
- 4,951,094 8/1990 Bell et al. .... 355/245
- 5,118,013 6/1992 Mutou et al. .... 222/DIG. 1 X
- 5,235,389 8/1993 Kikuchi et al. .... 355/260

**FOREIGN PATENT DOCUMENTS**

WO90/01180 2/1990 WIPO .

*Primary Examiner*—Alan P. Douglas

*Assistant Examiner*—Caron D. Veynar

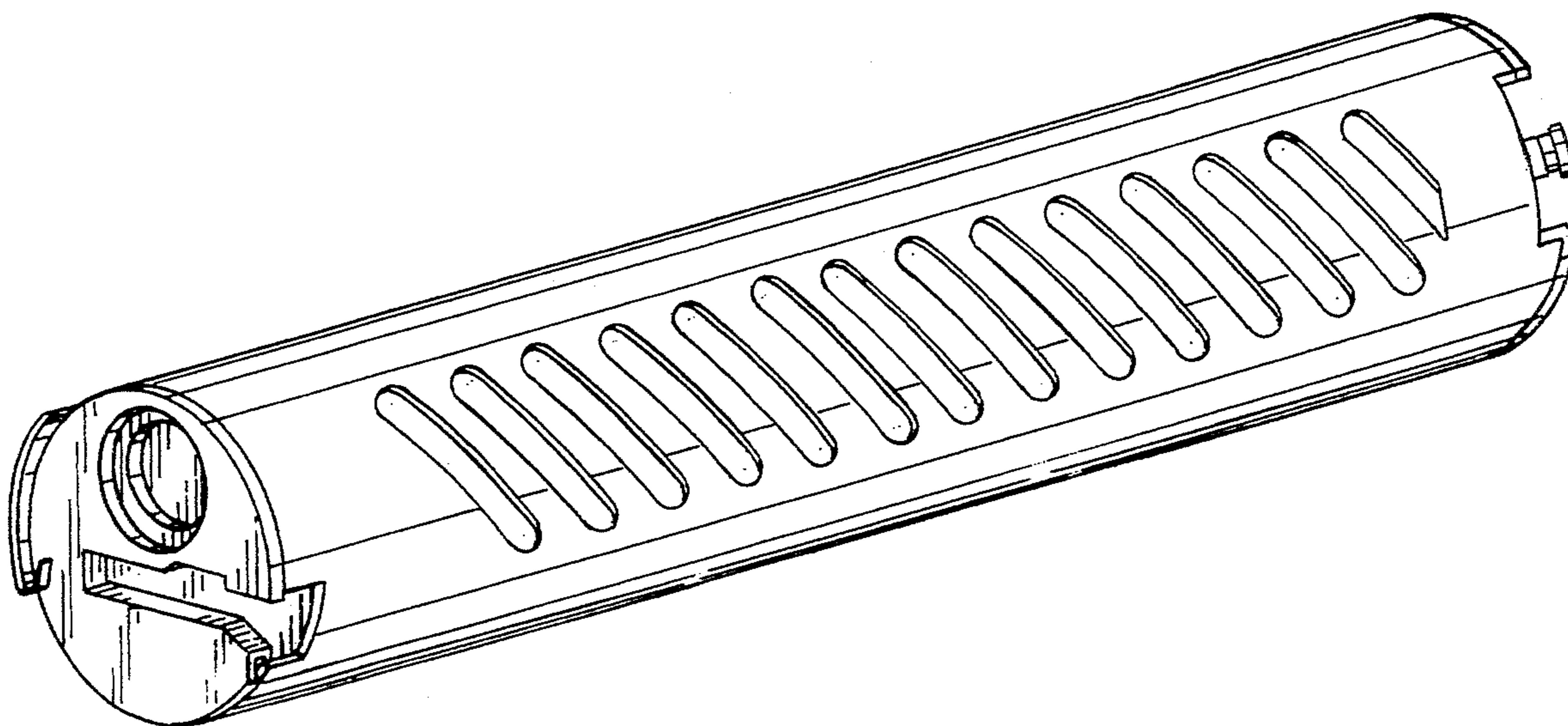
*Attorney, Agent, or Firm*—Fay, Sharpe, Beall, Fagan, Minnich & McKee

[57] **CLAIM**

The ornamental design for a toner cartridge, as shown and described.

**DESCRIPTION**

FIG. 1 is a front elevational view of a toner cartridge showing our new design;  
 FIG. 2 is a left side elevation of FIG. 1;  
 FIG. 3 is a right side elevation of FIG. 1;  
 FIG. 4 is a top plan view of FIG. 1;  
 FIG. 5 is a bottom plan view of FIG. 1;  
 FIG. 6 is a rear elevational view of FIG. 1; and,  
 FIG. 7 is a front perspective view of the toner cartridge design shown in FIG. 1.



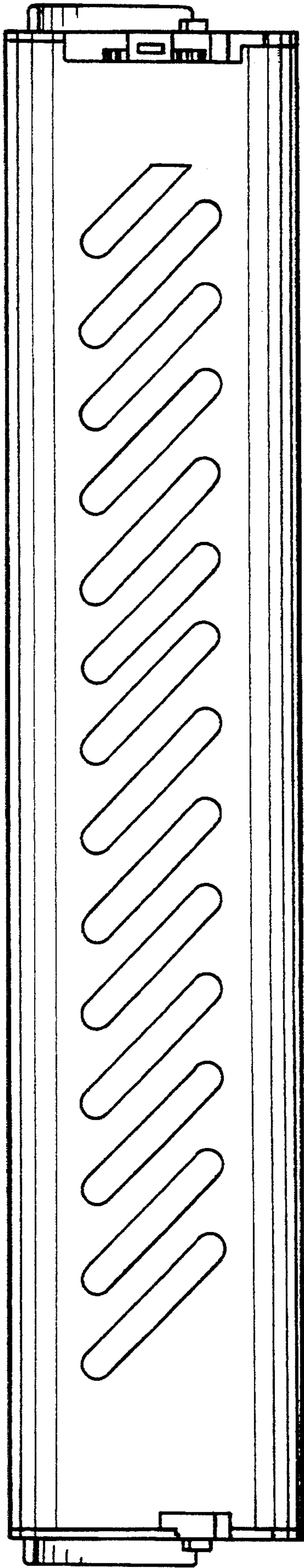


FIG. 1

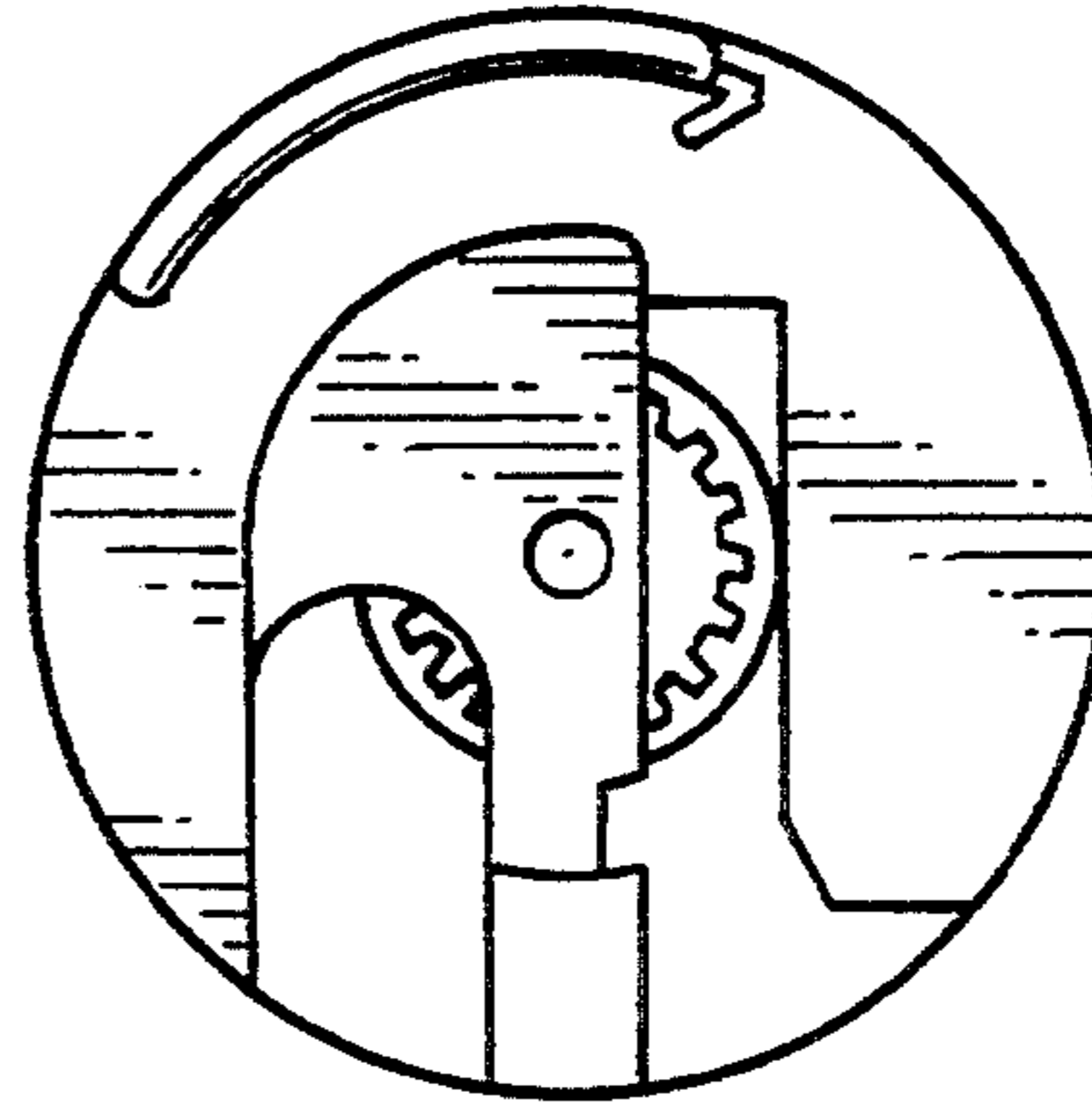


FIG. 3

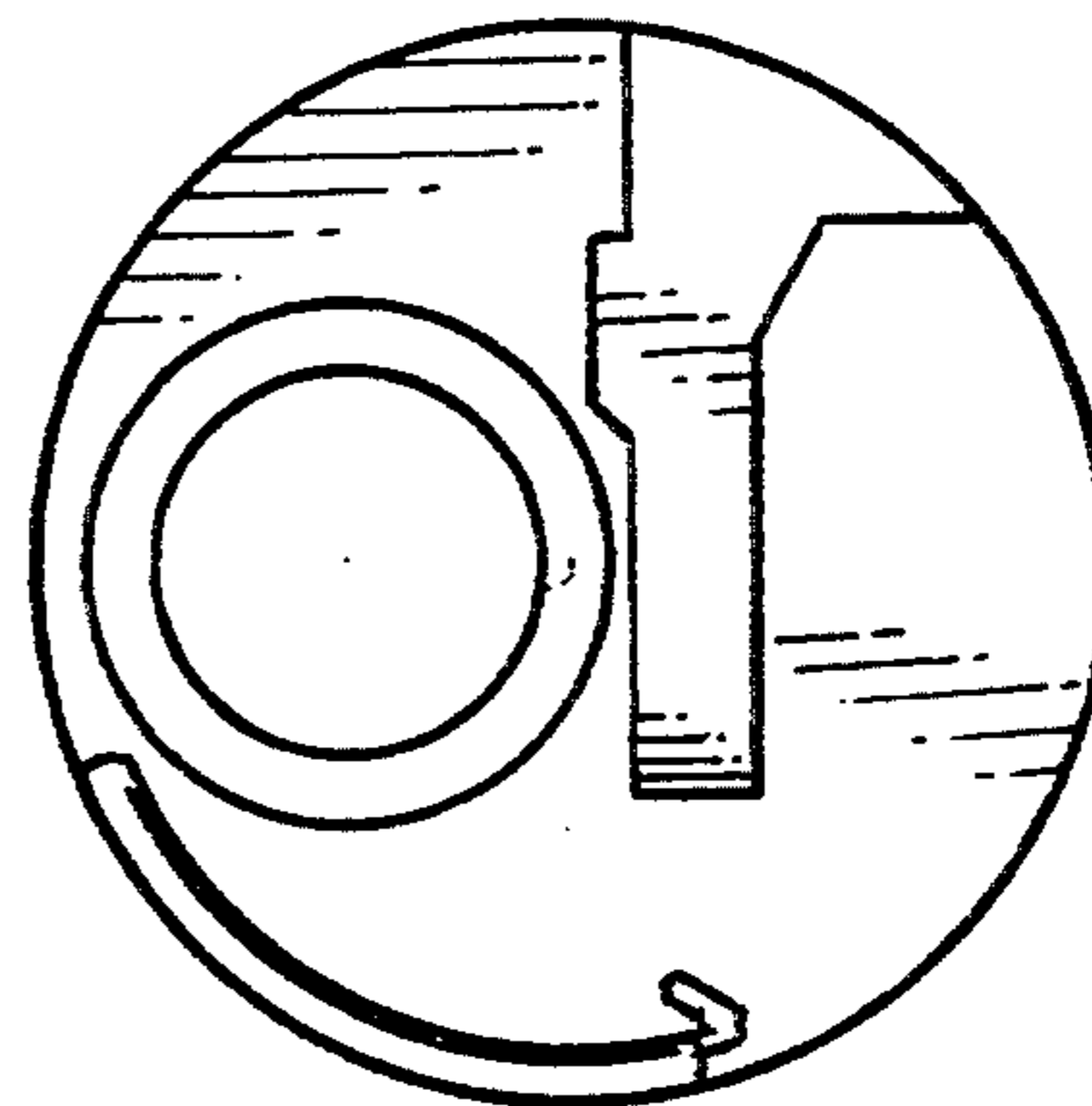


FIG. 2

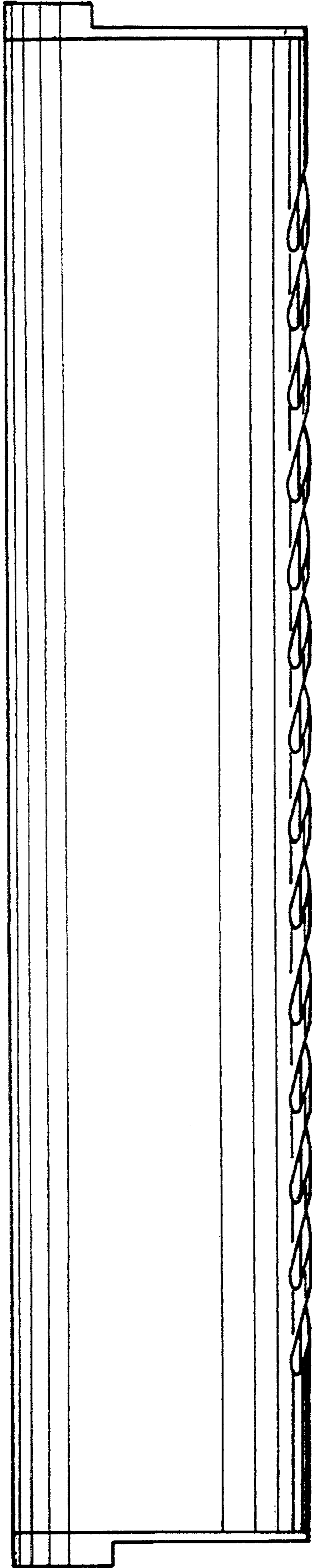


FIG. 4

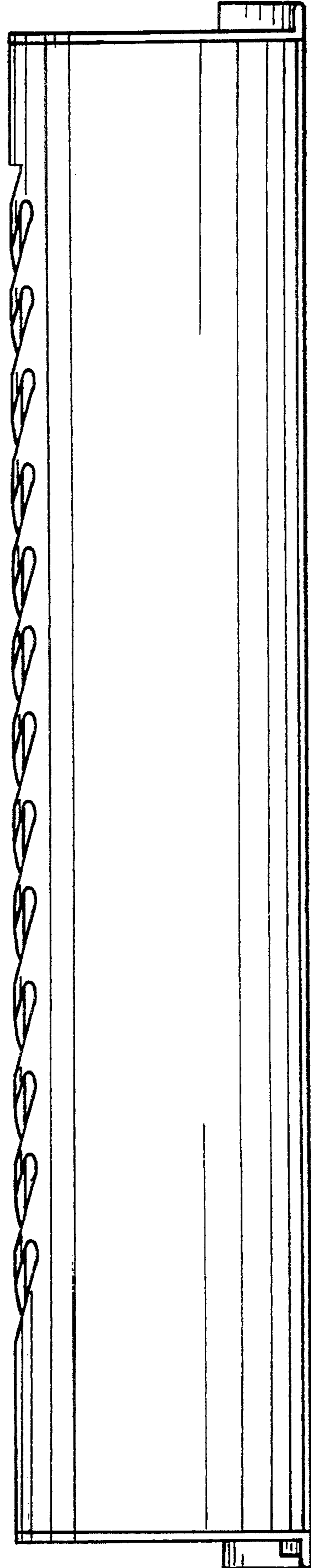


FIG. 5

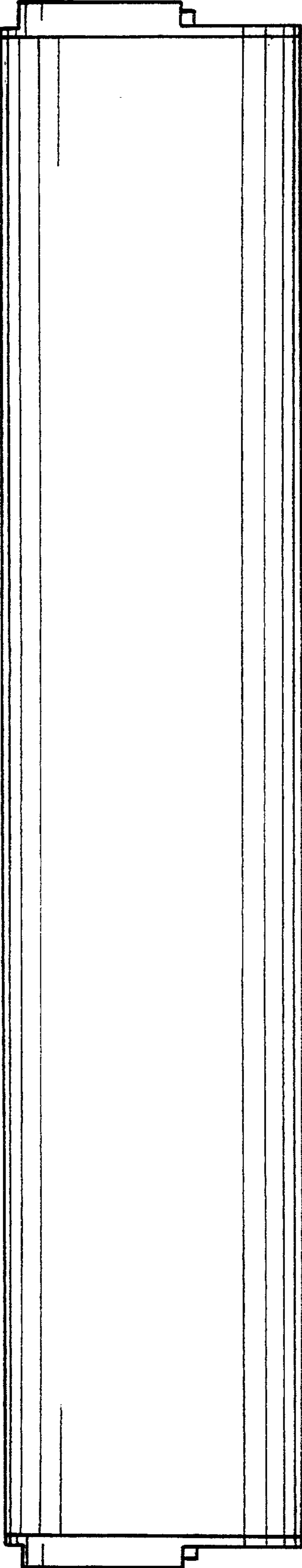


FIG. 6



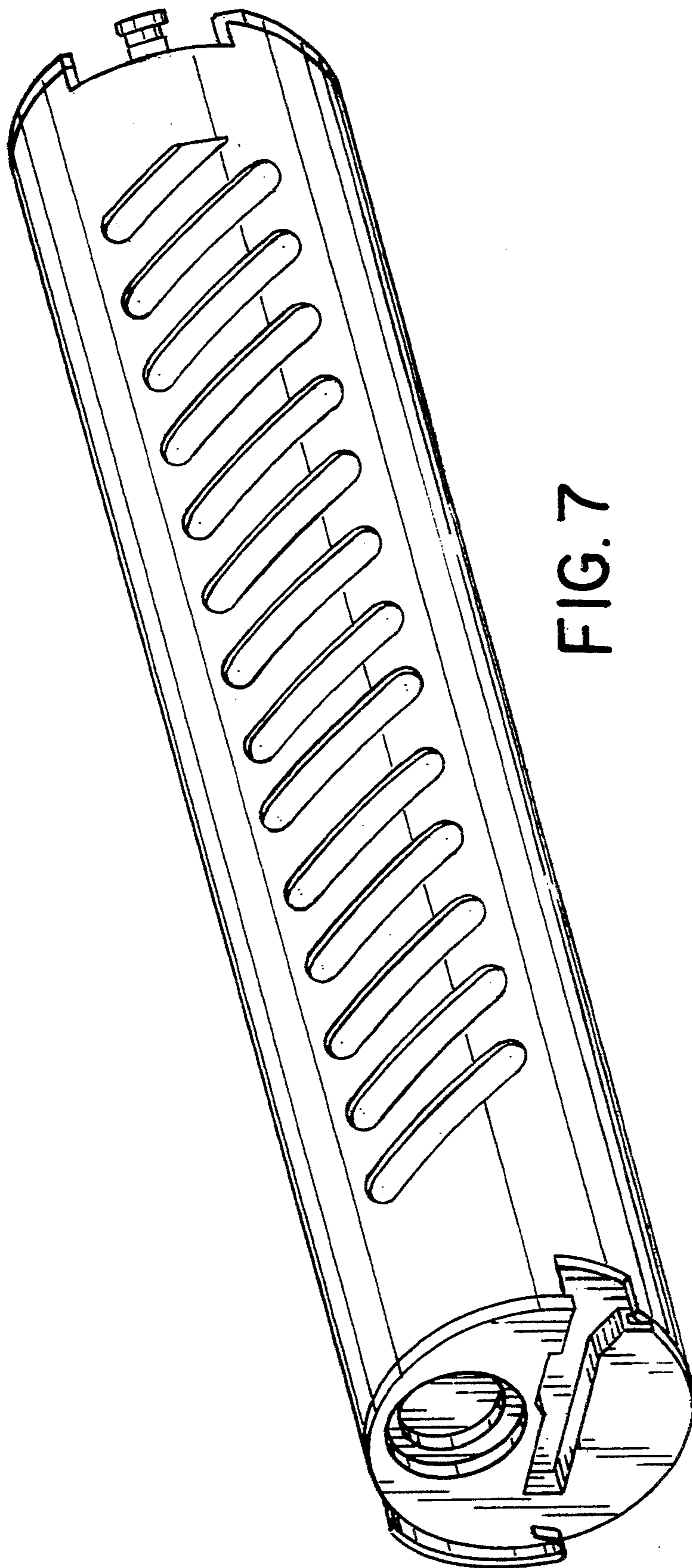


FIG. 7