



US00D359303S

# United States Patent [19]

[11] Patent Number: **Des. 359,303**

Gray et al.

[45] Date of Patent: **\*\* Jun. 13, 1995**

[54] CASSETTE

[75] Inventors: **Philip J. Gray**, Royston; **Barrie K. Weaver**, London, both of United Kingdom

[73] Assignee: **Esselte Dymo N.V.**, St. Niklaas, Belgium

[\*\*] Term: **14 Years**

[21] Appl. No.: **9,898**

[22] Filed: **Jun. 23, 1993**

[30] **Foreign Application Priority Data**

Jan. 4, 1993 [GB] United Kingdom ..... 2028116

[52] U.S. Cl. .... **D18/12; D18/99**

[58] Field of Search ..... **D18/12, 56, 99; D14/121; 400/194, 195, 196, 196.1, 207, 208**

[56]

**References Cited**

**U.S. PATENT DOCUMENTS**

D. 314,971 2/1991 Nakamura et al. .... D18/12  
D. 344,755 3/1994 Yamazaki ..... 400/196 X

*Primary Examiner*—Alan P. Douglas  
*Assistant Examiner*—Caron D. Veynar  
*Attorney, Agent, or Firm*—Pennie & Edmonds

[57]

**CLAIM**

The ornamental design for a cassette, as shown and described.

**DESCRIPTION**

FIG. 1 is a top, front and right side perspective view of a cassette showing our new design; FIG. 2 is a bottom, rear and left side perspective view thereof; and, FIG. 3 is a top, front and right side perspective view of a second embodiment of my new design, the bottom, rear and left side views being identical to FIG. 2.

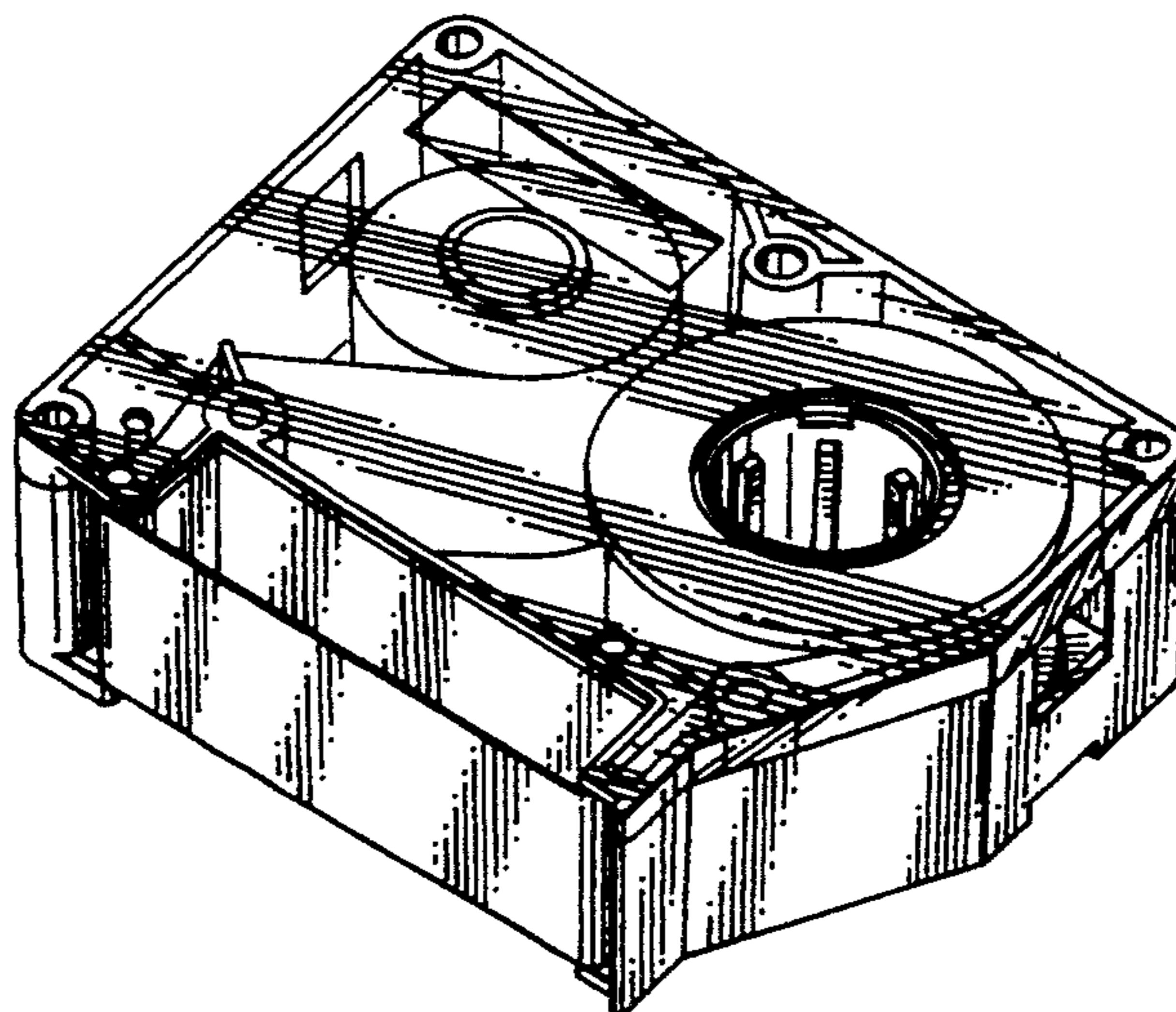
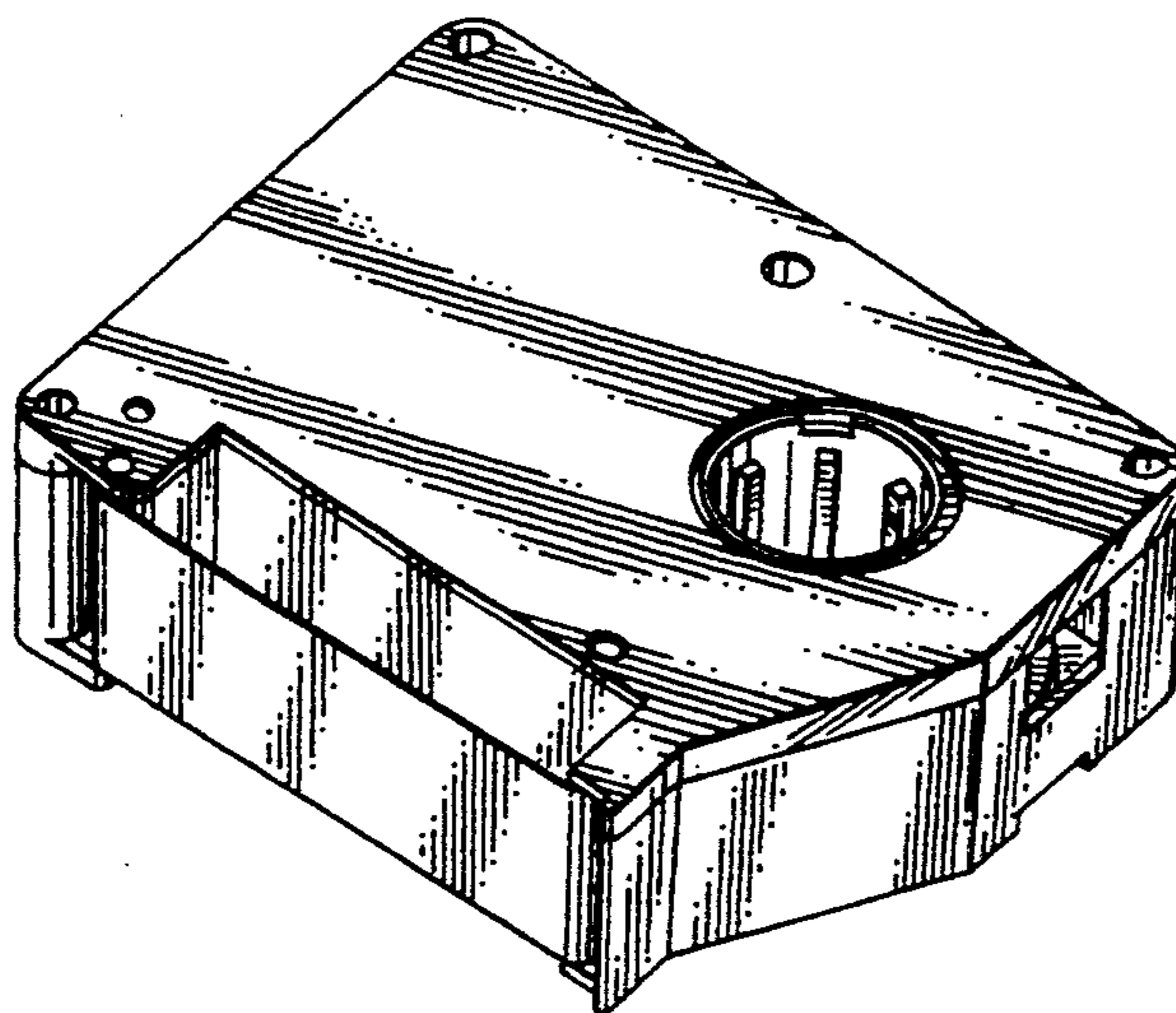


FIG. 1

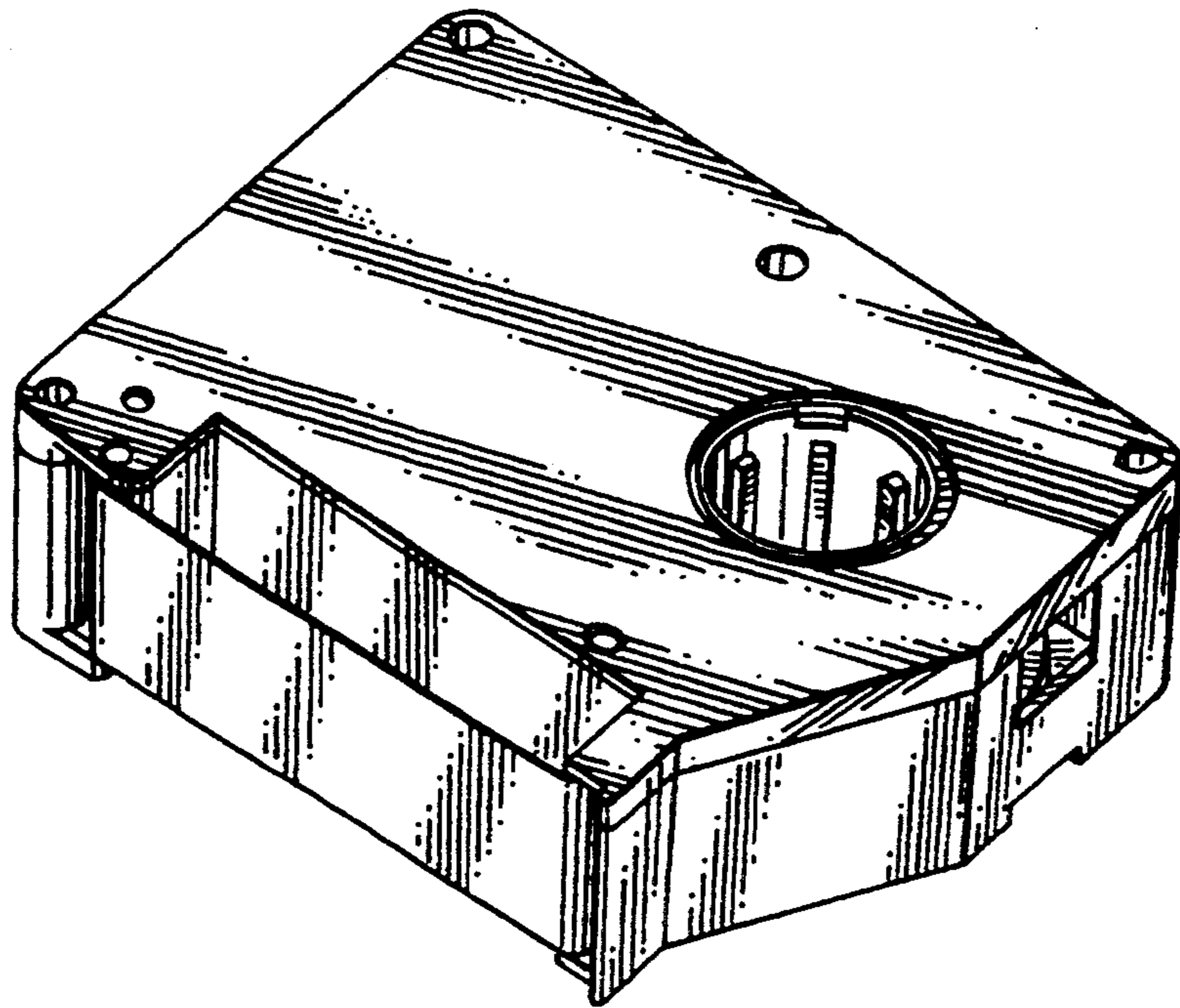


FIG. 2

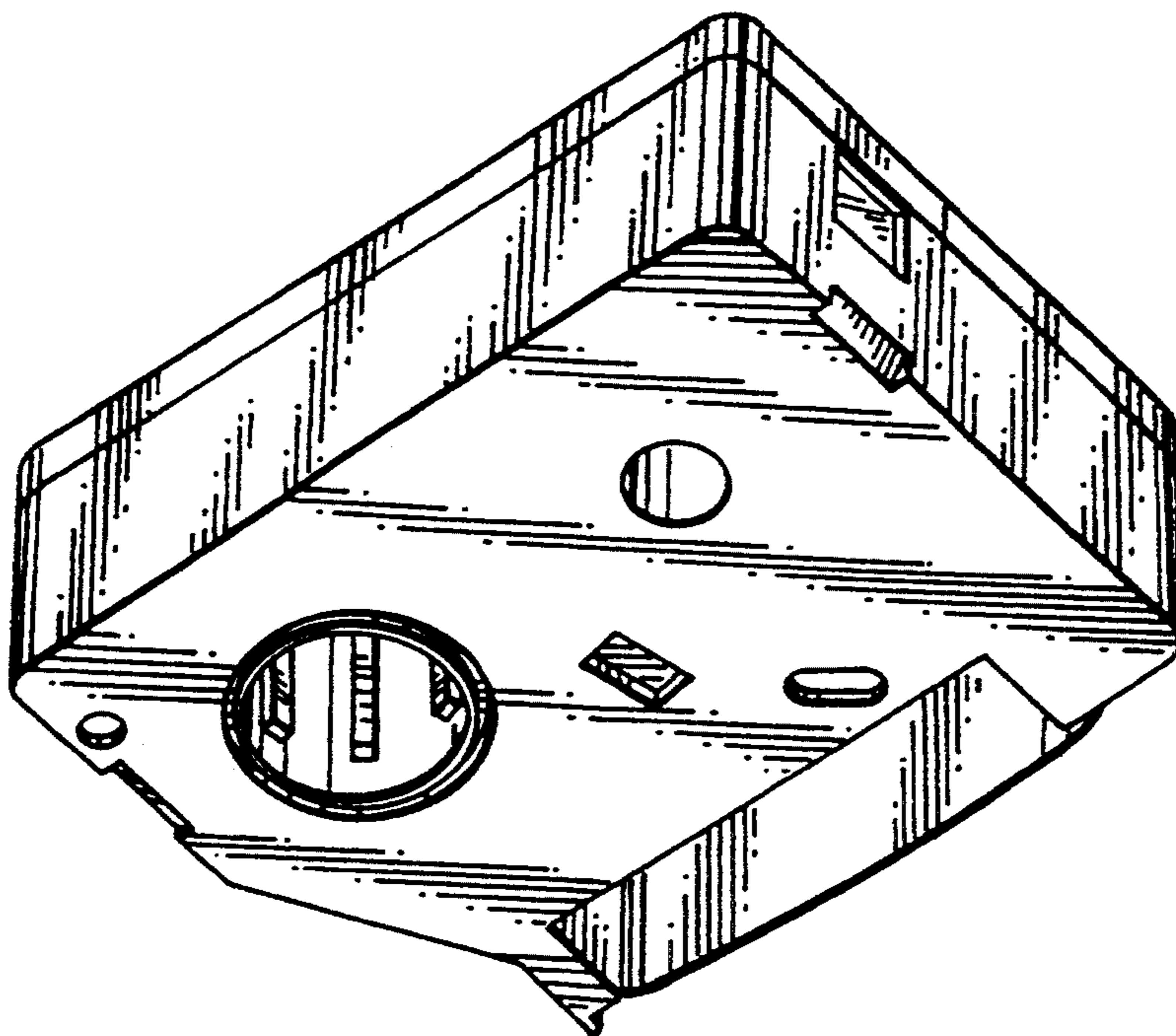


FIG. 3

