



US00D359296S

United States Patent [19]
Witherspoon

[11] **Patent Number: Des. 359,296**
[45] **Date of Patent: ** Jun. 13, 1995**

[54] **SOLVENT RECOVERY SYSTEM**

[75] **Inventor: Grant T. Witherspoon, Walla Walla, Wash.**

[73] **Assignee: Solvent Recovery Technology, Inc., Walla Walla, Wash.**

[**] **Term: 14 Years**

[21] **Appl. No.: 22,201**

[22] **Filed: Apr. 29, 1994**

[52] **U.S. Cl. D15/199**

[58] **Field of Search D10/46, 75, 81; D15/199; D24/231, 232, 185, 186; 62/85, 77, 292, 475; 210/490, 500.25, 500.83, 640, 653, 638, 768, 771**

[56]

References Cited

U.S. PATENT DOCUMENTS

D. 323,387 1/1992 Neumeister D24/186 X

Primary Examiner—Antoine Duval Davis
Attorney, Agent, or Firm—Christensen, O'Connor, Johnson & Kindness

[57]

CLAIM

The ornamental design for a solvent recovery system, as shown.

DESCRIPTION

FIG. 1 is a perspective view of the solvent recovery system showing my new design;

FIG. 2 is a front elevational view thereof.

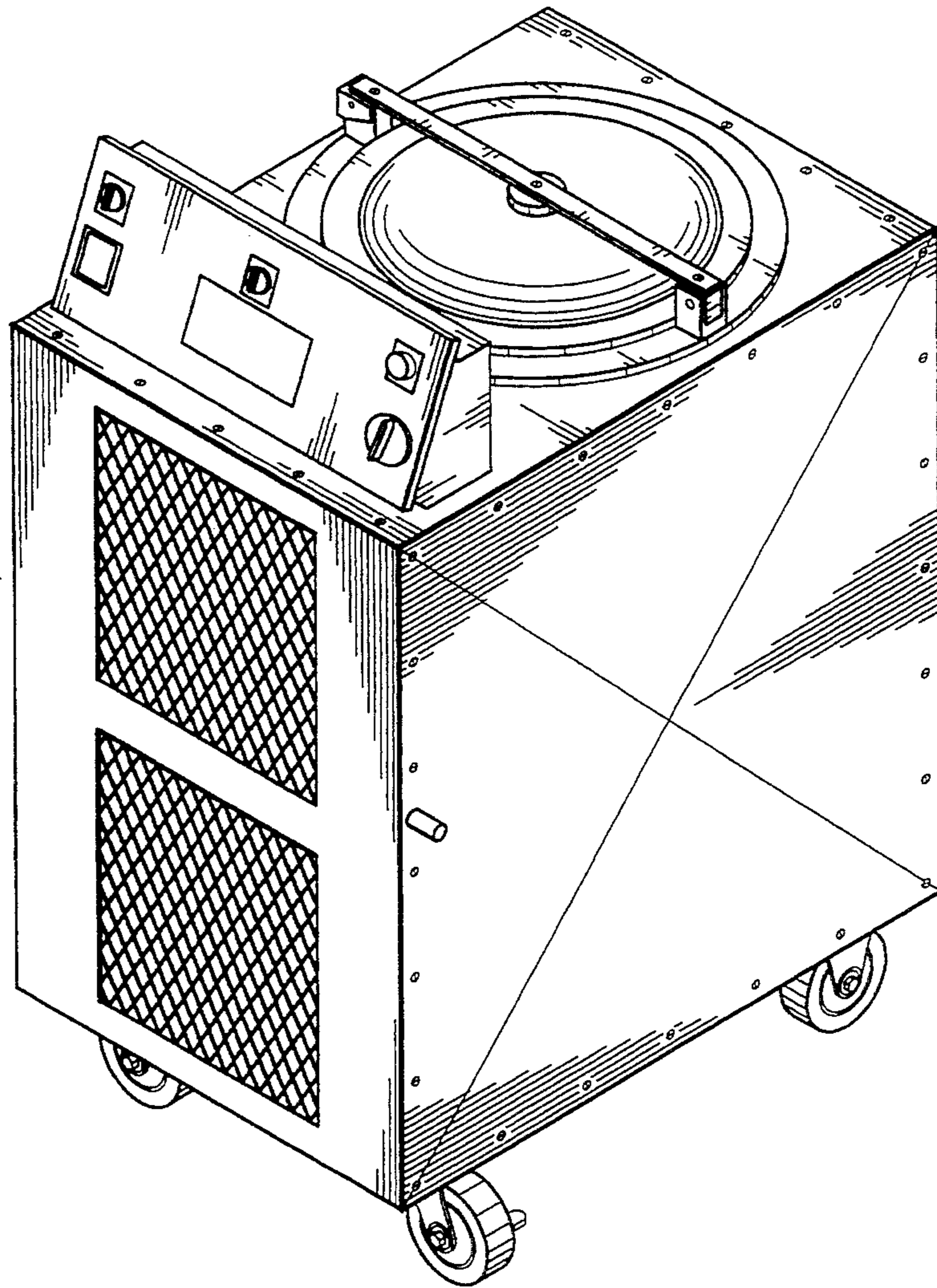
FIG. 3 is a back elevational view thereof;

FIG. 4 is a side elevational view of one side thereof;

FIG. 5 is a top view thereof;

FIG. 6 is a side elevational view of another side thereof; and,

FIG. 7 is a bottom view thereof.



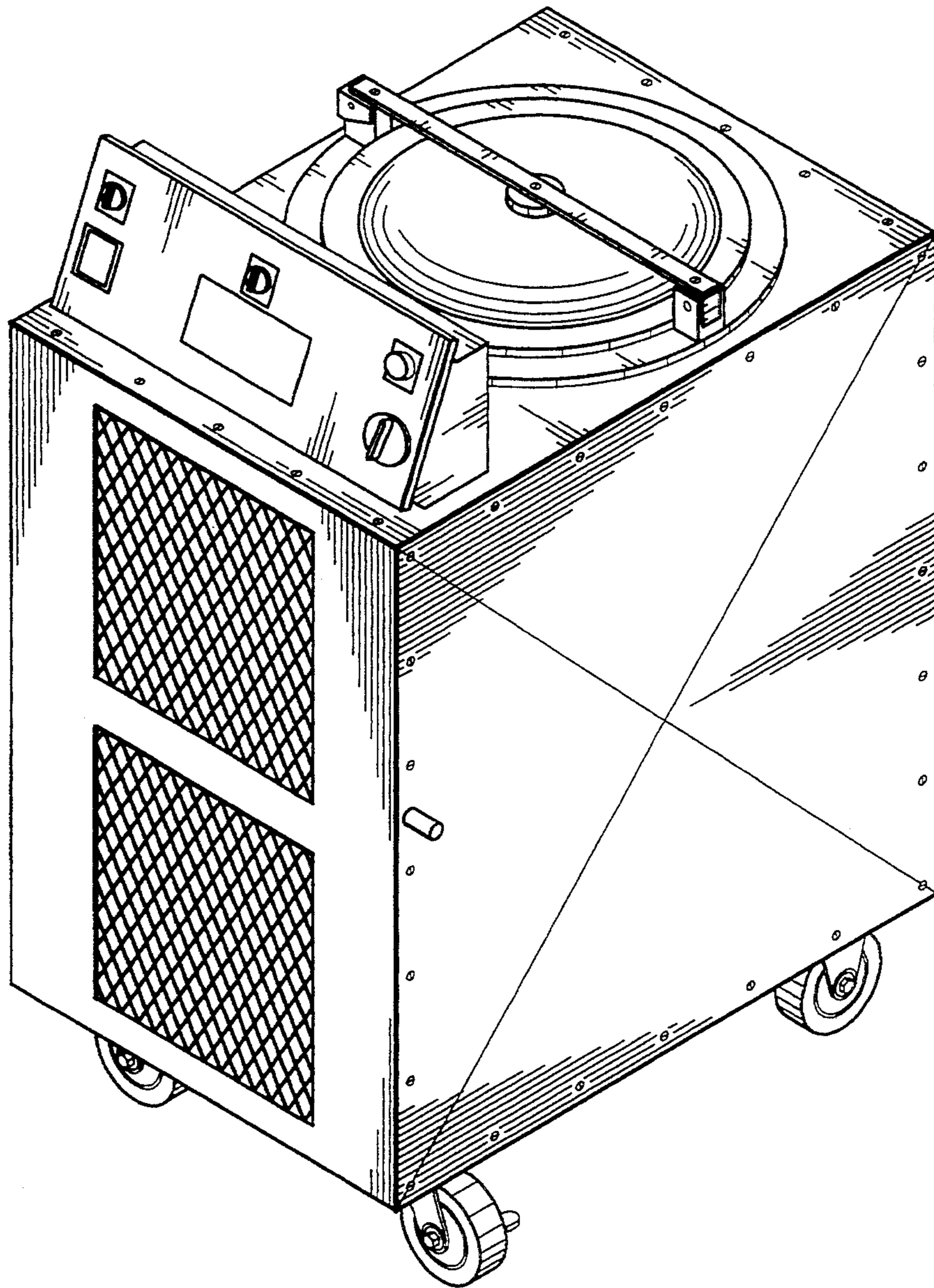


FIG. 1.

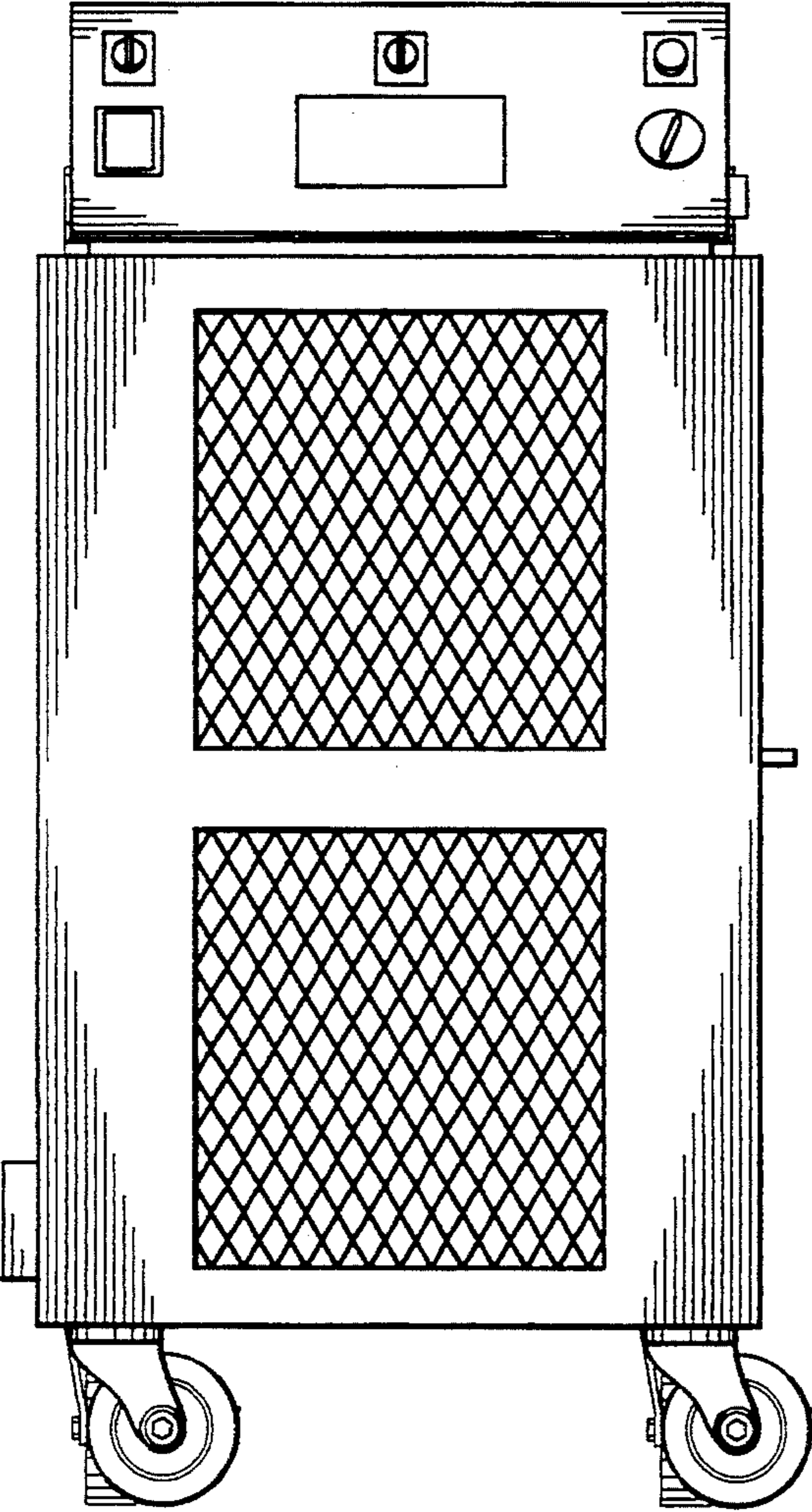


FIG. 2.

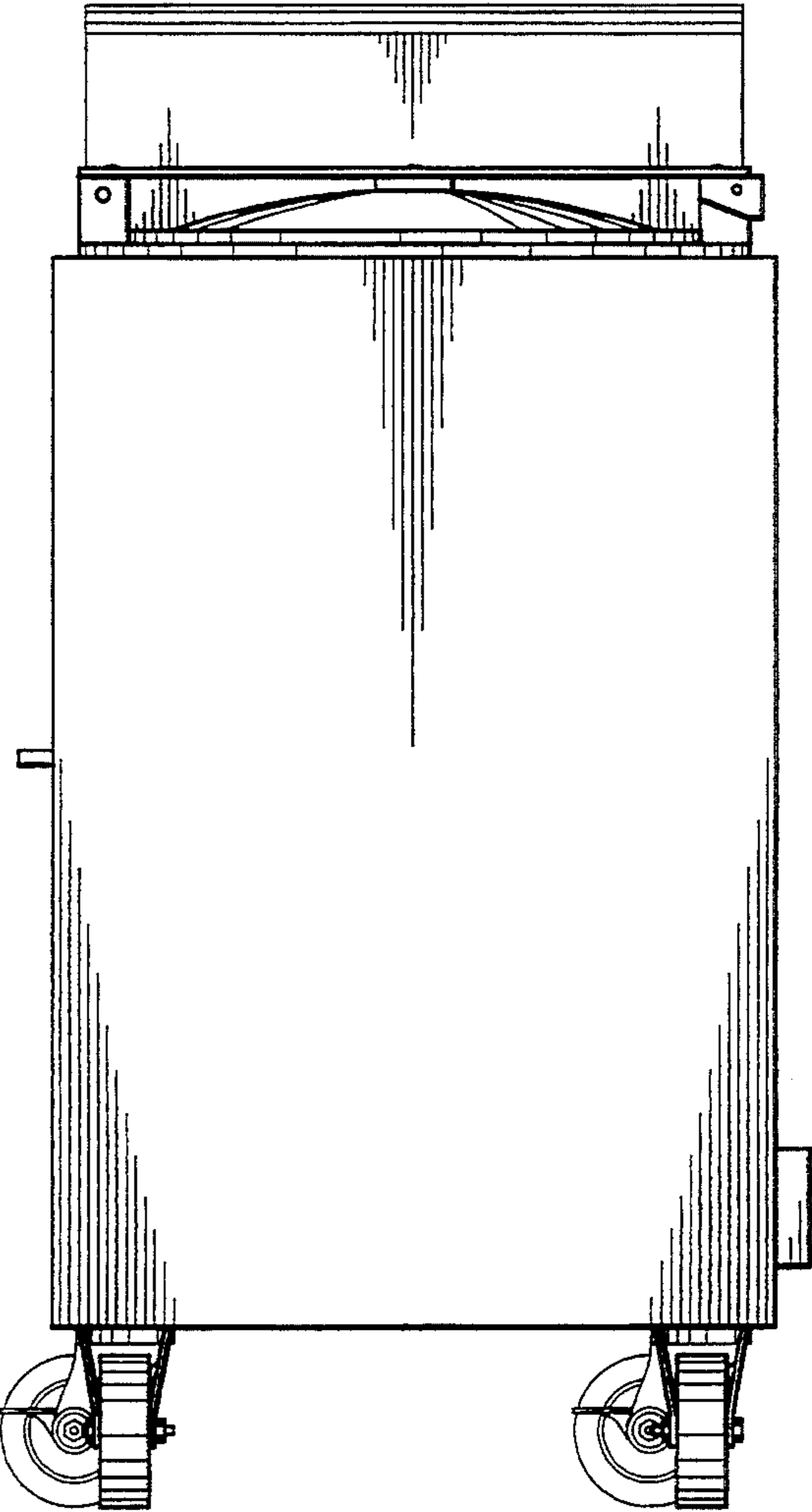


FIG. 3.

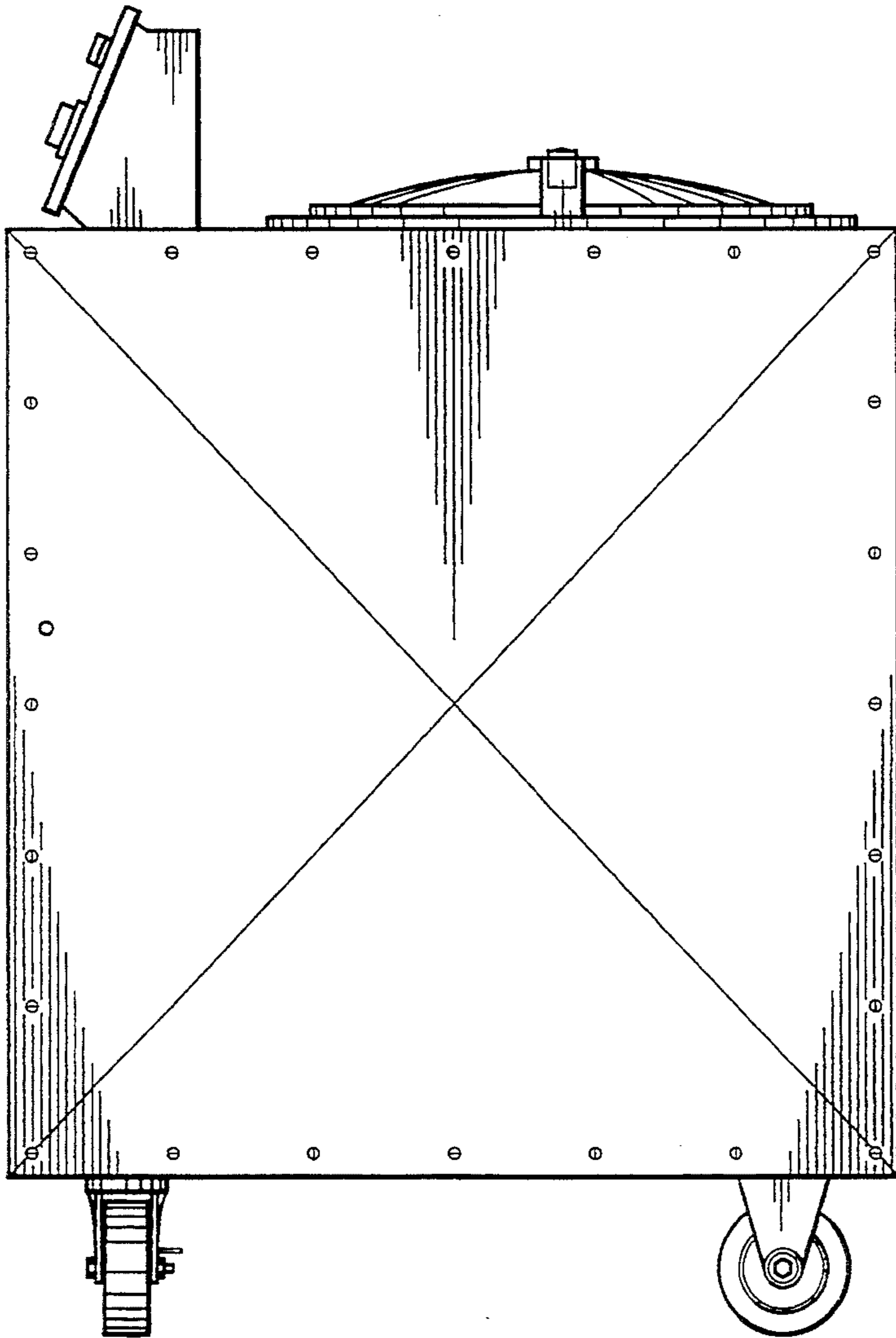


FIG. 4.

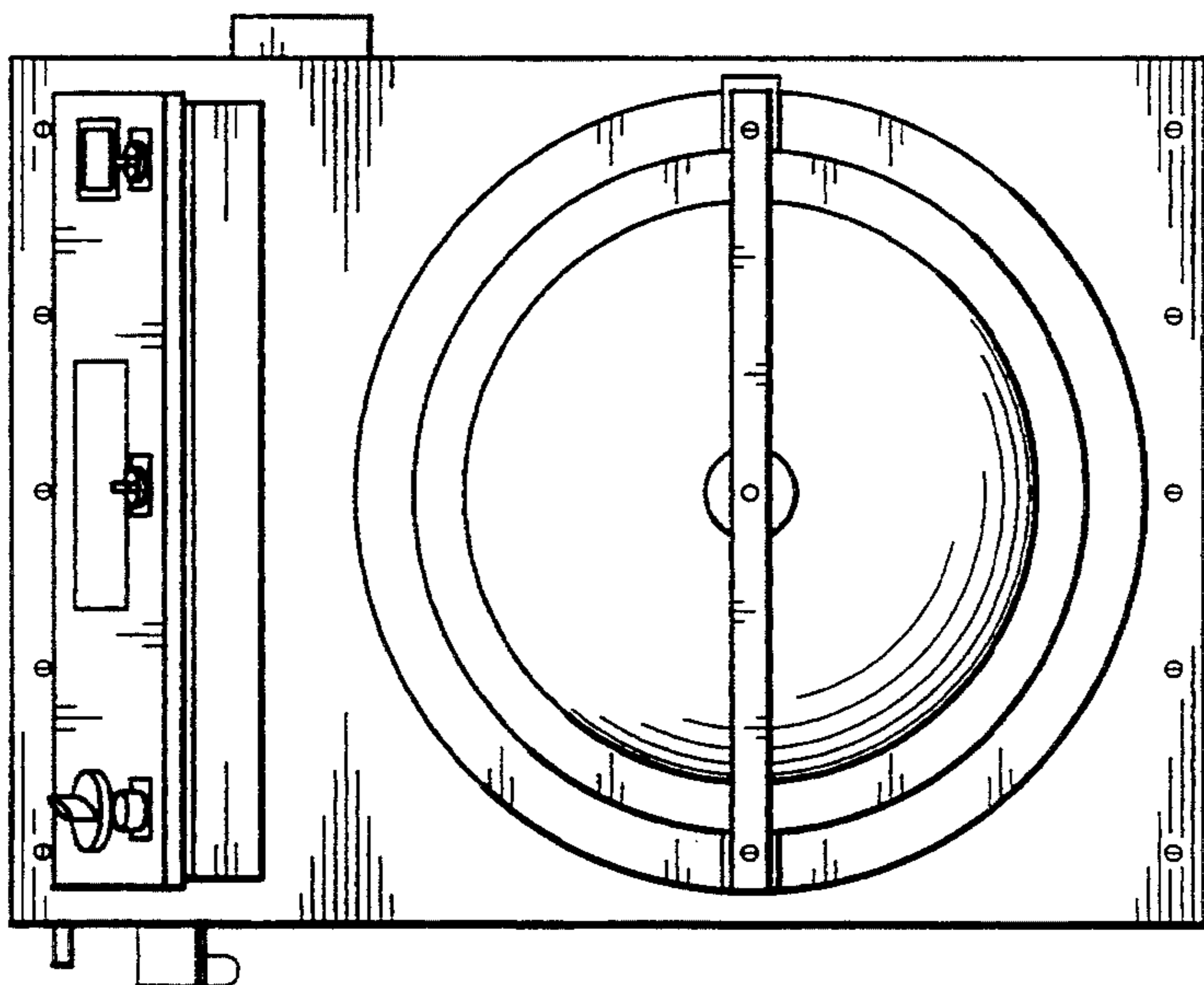


FIG. 5.

FIG. 6.

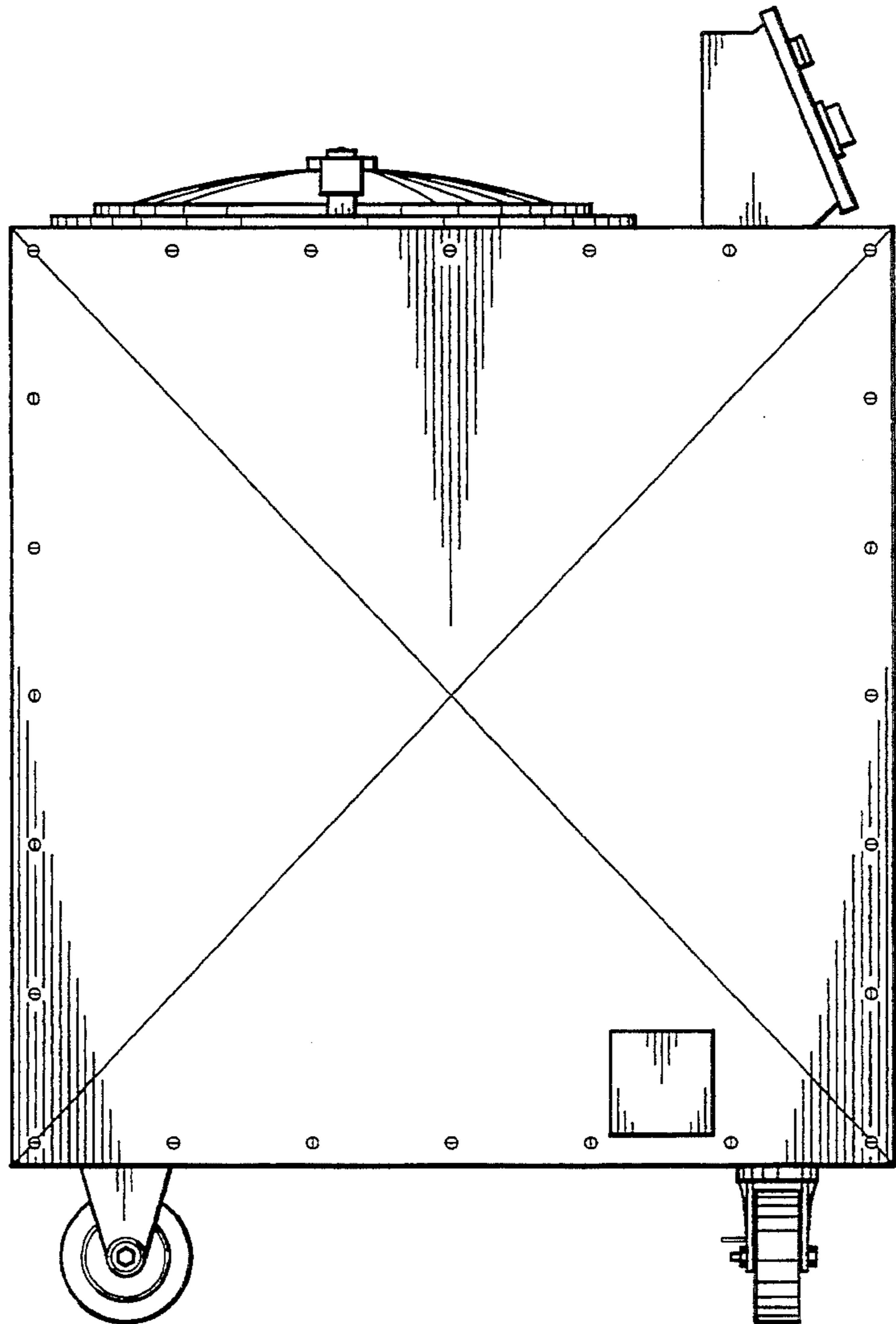


FIG. 7.

