



US00D359292S

United States Patent [19]
Lee

[11] **Patent Number: Des. 359,292**
[45] **Date of Patent: ** Jun. 13, 1995**

[54] **BEARING BRACKET**

[75] **Inventor: Sang I. Lee, Seoul, Rep. of Korea**

[73] **Assignee: Bloxwich Korea Co., Ltd., Kyongju, Rep. of Korea**

[*] **Notice:** The portion of the term of this patent subsequent to Jan. 10, 2009 has been disclaimed.

[**] **Term: 14 Years**

[21] **Appl. No.: 13,074**

[22] **Filed: Sep. 17, 1993**

Related U.S. Application Data

[63] Continuation-in-part of Ser. No. 11,946, Aug. 18, 1993.
[52] **U.S. Cl. D15/143**
[58] **Field of Search D8/349, 354, 357; D15/138, 143; 72/35, 237, 244, 248, 456; 160/170, 171, 300; 308/189 R, 184 A, 167, 237 R, 187.1, 187.2; 310/42, 89, 90, 91, 40, 1, 258, 216; 384/202, 203, 215, 220, 221, 222**

[56] **References Cited**

U.S. PATENT DOCUMENTS

D. 31,829 11/1899 See D15/143
D. 273,085 3/1984 Wetmore D8/354
4,392,694 7/1983 Reynolds 388/184 R
4,423,612 1/1984 Uppaluri 72/35
4,522,244 6/1985 Brolin 160/170
5,068,556 11/1991 Lykes et al. 310/90

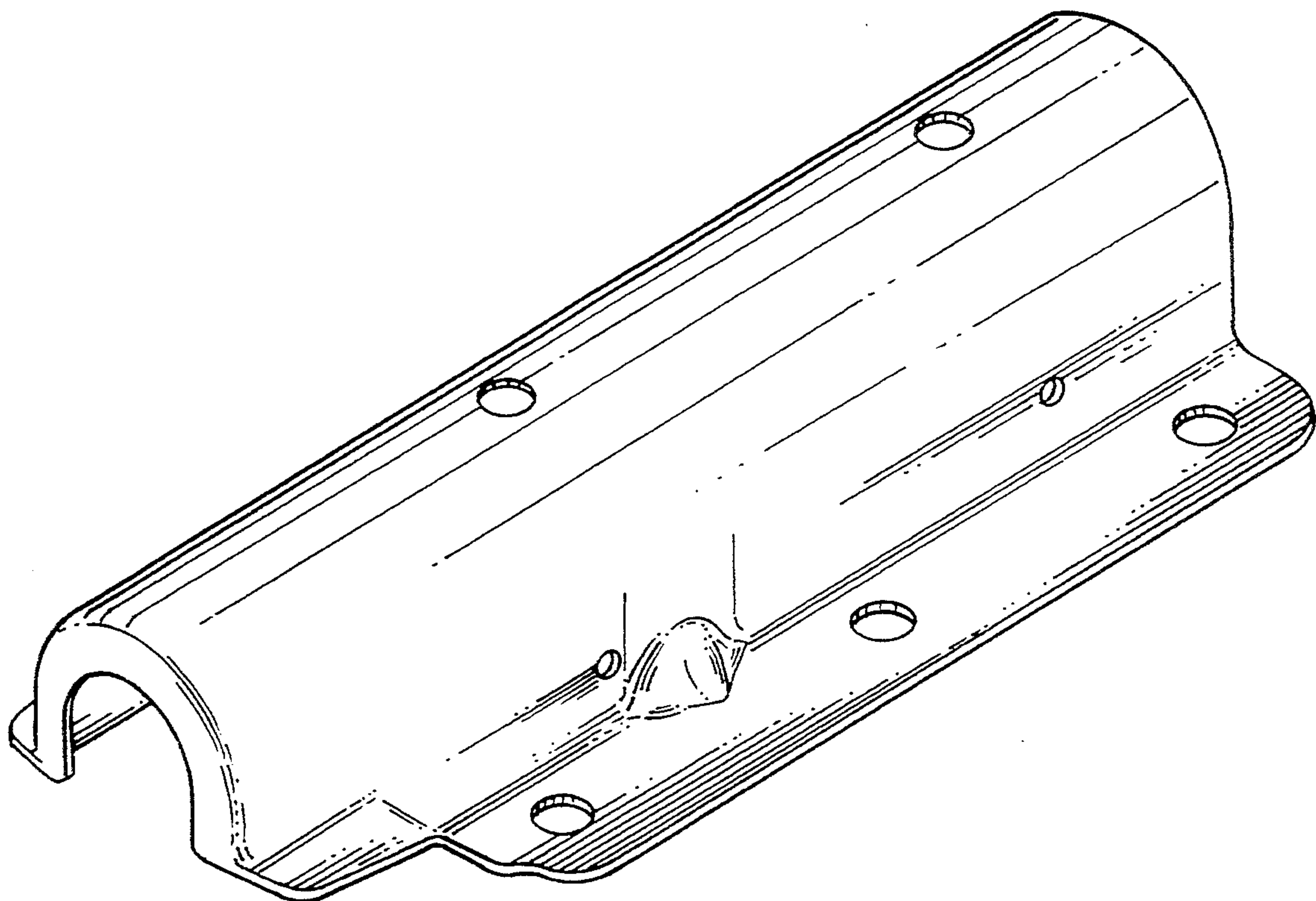
Primary Examiner—Antoine Duval Davis
Attorney, Agent, or Firm—Hedman, Gibson & Costigan

[57] **CLAIM**

The ornamental design for a bearing bracket, as shown and described.

DESCRIPTION

FIG. 1 is a perspective view of the bearing bracket of the present invention;
FIG. 2 is a top plan view thereof;
FIG. 3 is a bottom plan view thereof;
FIG. 4 is a front view thereof, the rear view being a mirror image;
FIG. 5 is a left side view thereof; and,
FIG. 6 is a right side view thereof.



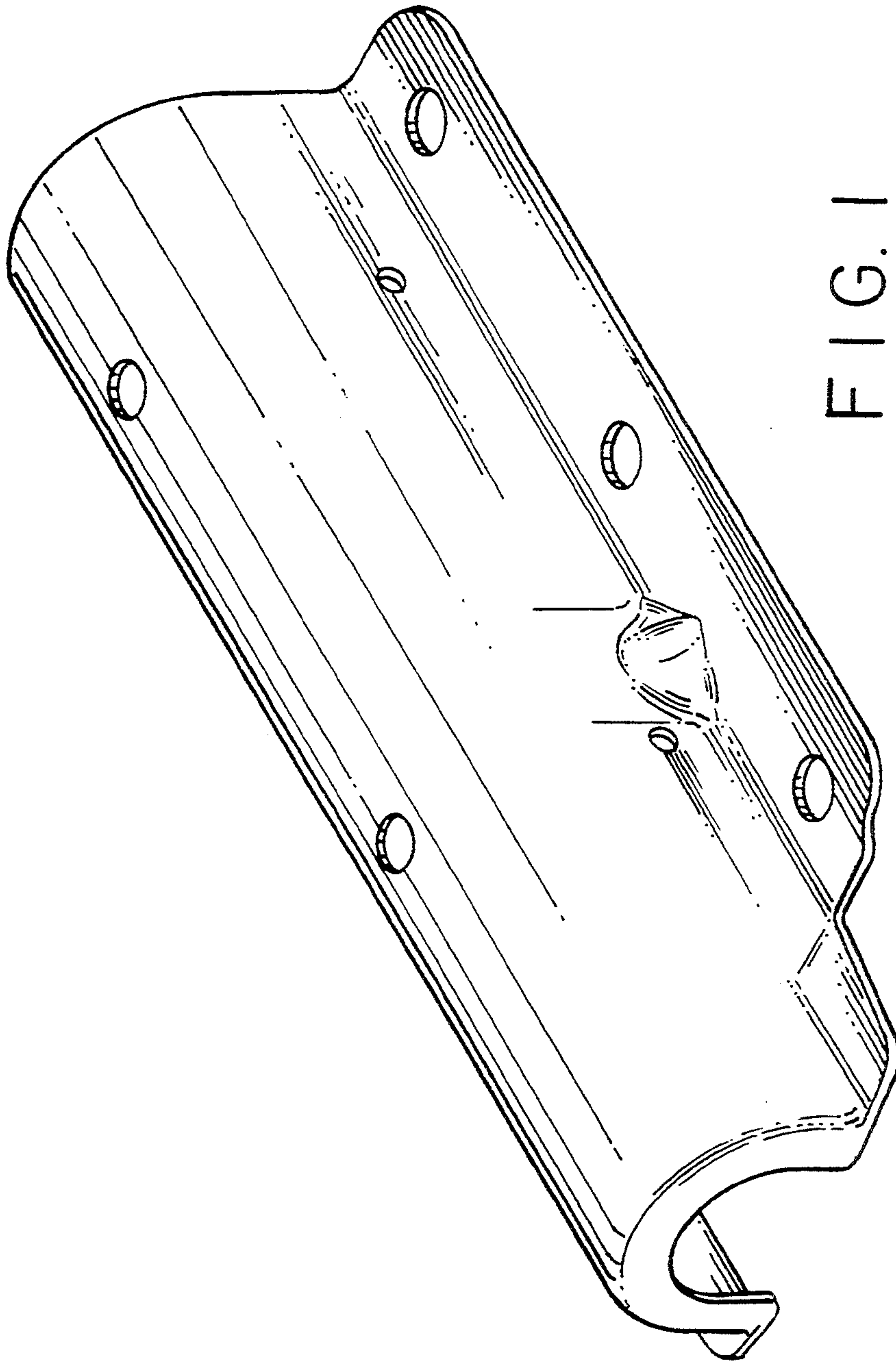


FIG. 1

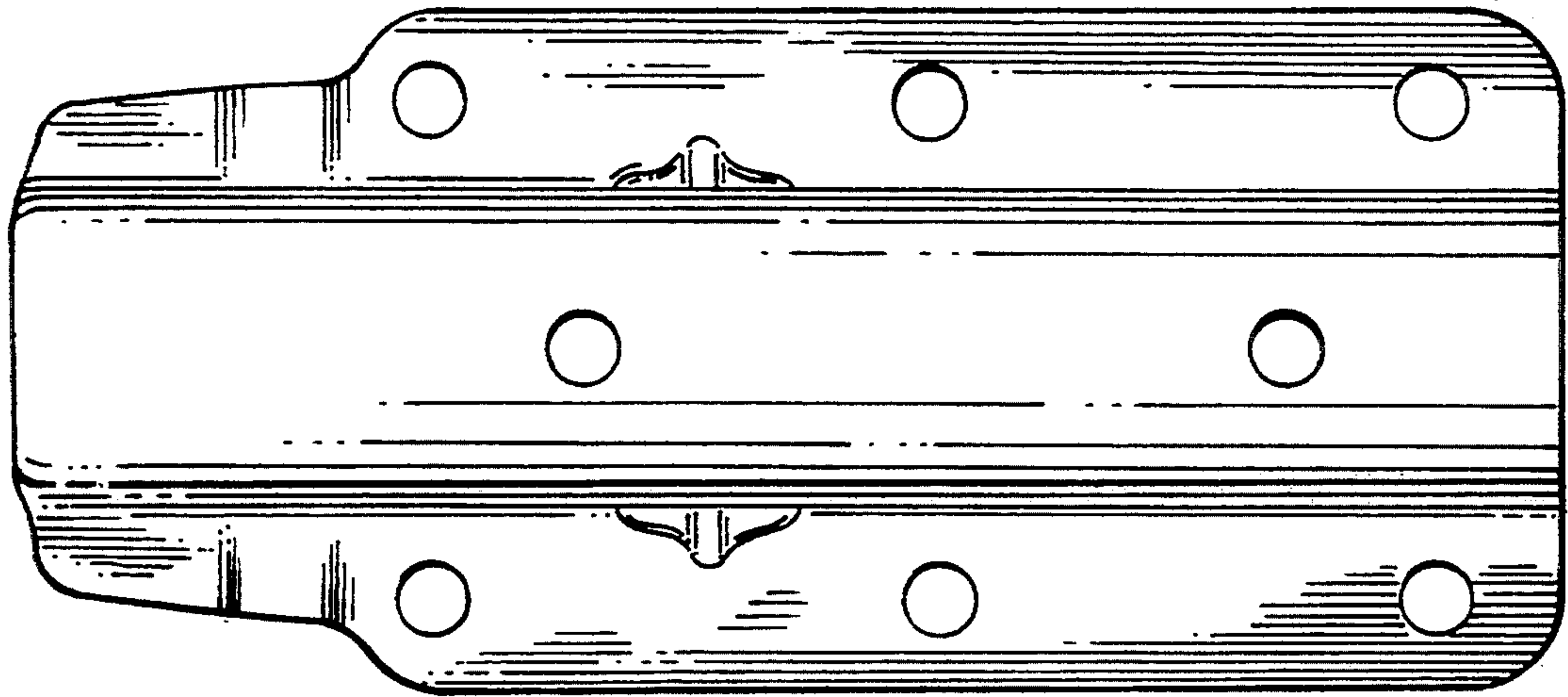


FIG. 2

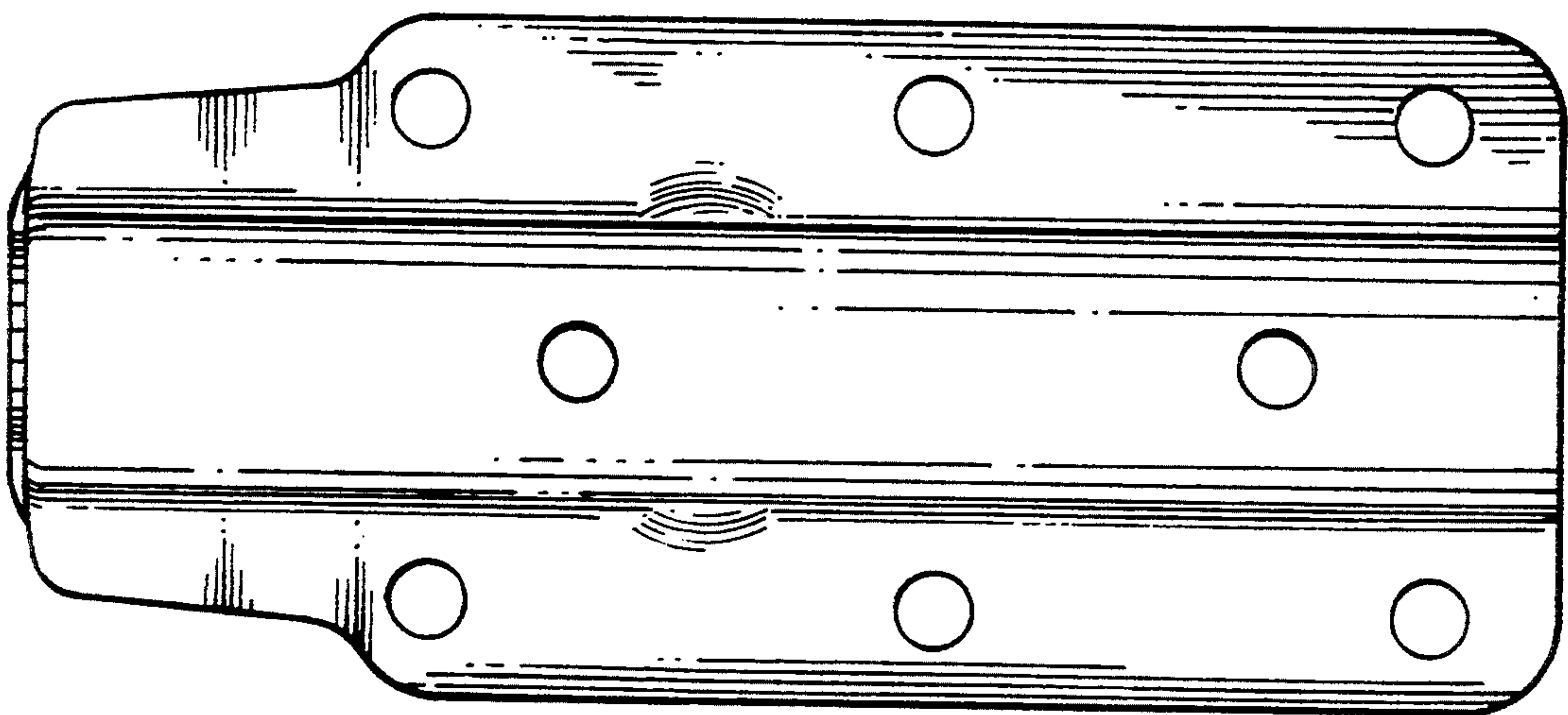


FIG. 3

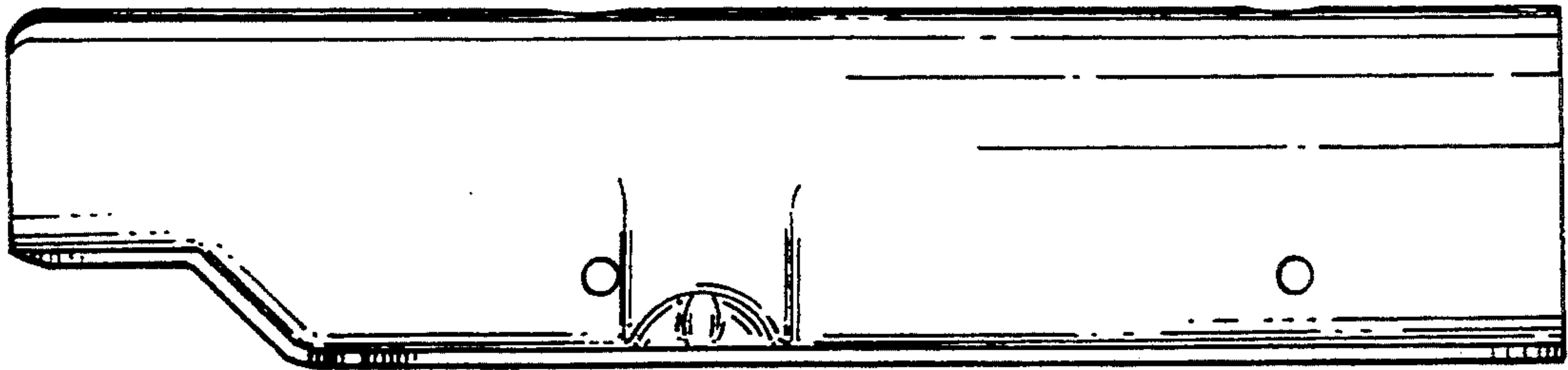


FIG. 4

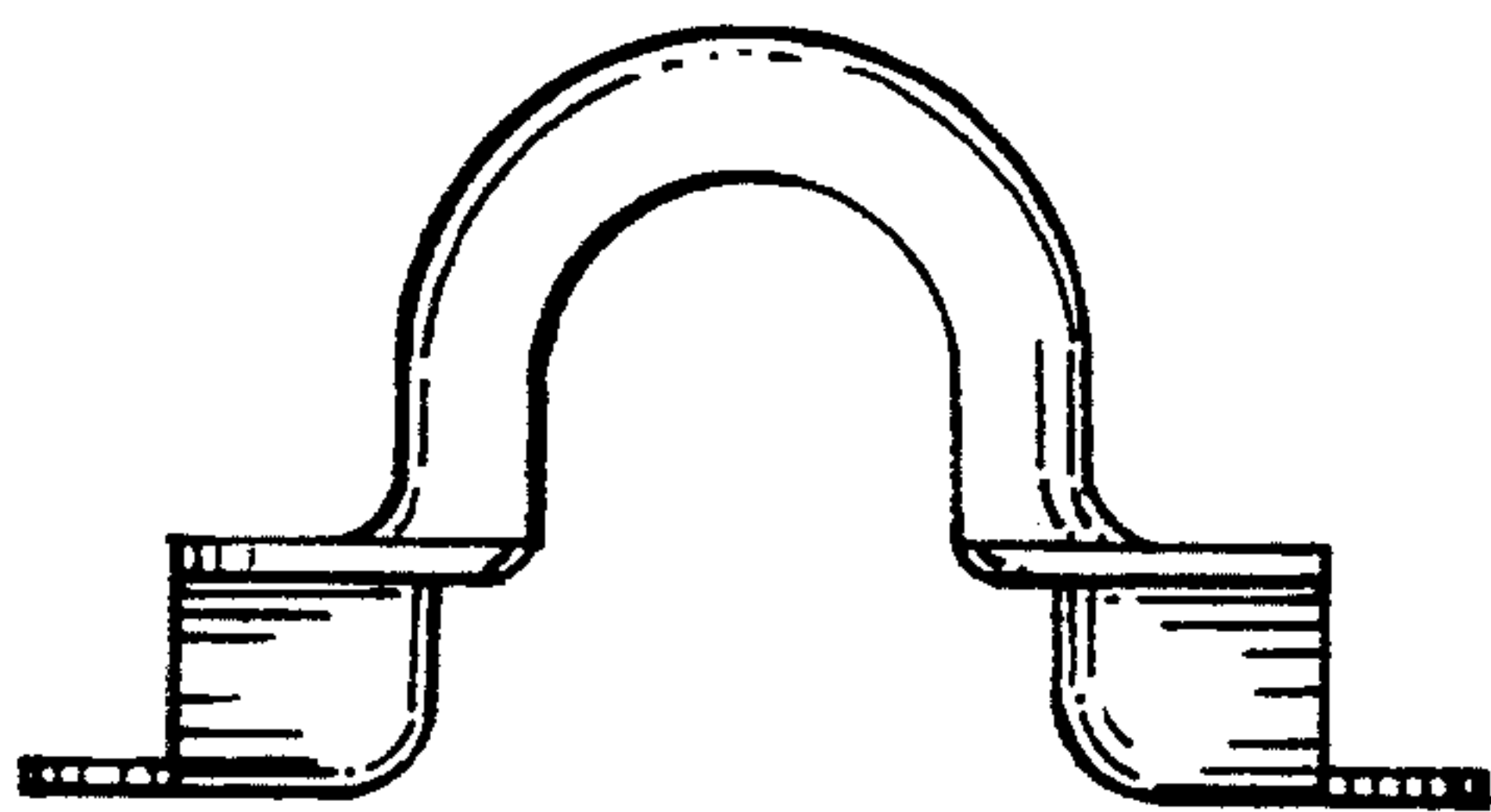


FIG. 5

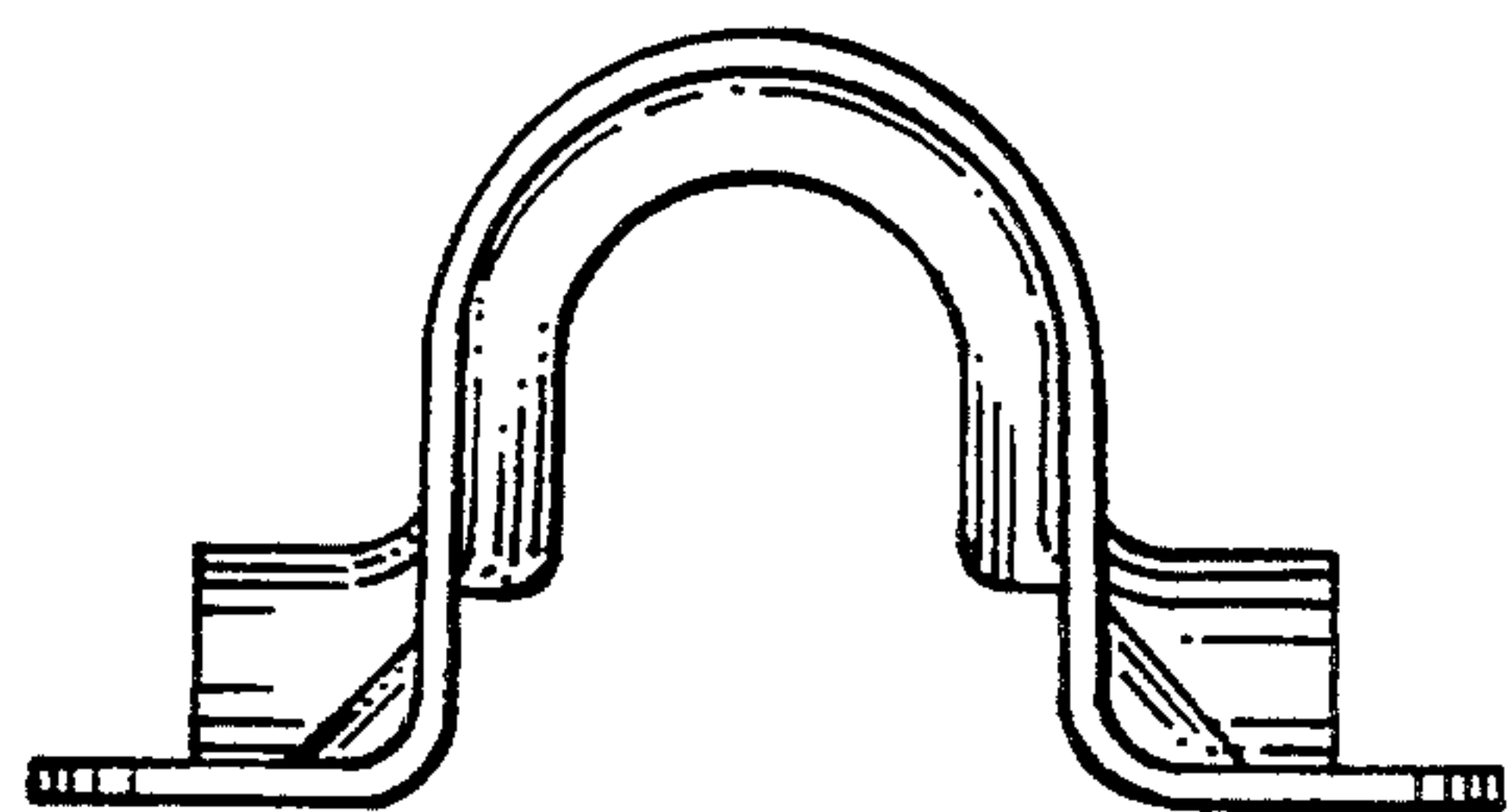


FIG. 6