



US00D359290S

United States Patent [19]

[11] Patent Number: Des. 359,290

Takeuchi

[45] Date of Patent: ** Jun. 13, 1995

[54] OUTBOARD MOTOR

[75] Inventor: **Kiminori Takeuchi**, Kyoto, Japan

[73] Assignee: **Sanshin Kosyo Kabushiki Kaisha**,
Japan

[**] Term: **14 Years**

[21] Appl. No.: **18,479**

[22] Filed: **Feb. 7, 1994**

[30] Foreign Application Priority Data

Aug. 5, 1993 [JP]	Japan	5-24057
Aug. 5, 1993 [JP]	Japan	5-24058
Aug. 5, 1993 [JP]	Japan	5-24059
Aug. 5, 1993 [JP]	Japan	5-24060
Aug. 5, 1993 [JP]	Japan	5-24061
Sep. 7, 1993 [JP]	Japan	5-27264

[52] U.S. Cl. **D15/1**

[58] Field of Search **D15/1-5;**
440/3-4, 6, 900, 52-53; 290/43, 46, 54; 123/495

[56] References Cited

U.S. PATENT DOCUMENTS

D. 272,357	1/1984	Hall et al.	D15/4
D. 272,358	1/1984	Hall et al.	D15/4
D. 323,508	1/1992	Hirshberg et al.	D15/4
D. 332,265	1/1993	Osumi	D15/4
4,512,294	4/1985	Mohr	440/900
4,811,717	3/1989	Nakahama	123/495

FOREIGN PATENT DOCUMENTS

854521 12/1992 Japan .

Primary Examiner—Ralf T. Seifert
Attorney, Agent, or Firm—Ostrolenk, Faber, Gerb &
Soffen

[57] CLAIM

The ornamental design for an outboard motor, as shown.

DESCRIPTION

FIG. 1 is a perspective view of a first embodiment of an outboard motor embodying my new design;
FIG. 2 is a right side view thereof;

FIG. 3 is a rear view thereof;
FIG. 4 is a left side view thereof;
FIG. 5 is a front view thereof;
FIG. 6 is a top view thereof;
FIG. 7 is a bottom view thereof;
FIG. 8 is a perspective view of a second embodiment of an outboard motor embodying my new design;
FIG. 9 is a right side view thereof;
FIG. 10 is a review view thereof;
FIG. 11 is a left side view thereof;
FIG. 12 is a front view thereof;
FIG. 13 is a top view thereof;
FIG. 14 is a bottom view thereof;
FIG. 15 is a perspective view of a third embodiment of an outboard motor embodying my new design;
FIG. 16 is a right side view thereof;
FIG. 17 is a rear view thereof;
FIG. 18 is a left side view thereof;
FIG. 19 is a front view thereof;
FIG. 20 is a top view thereof;
FIG. 21 is a bottom view thereof;
FIG. 22 is a perspective view of a fourth embodiment of an outboard motor embodying my new design;
FIG. 23 is a right side view thereof;
FIG. 24 is a rear view thereof;
FIG. 25 is a left side view thereof;
FIG. 26 is a front view thereof;
FIG. 27 is a top view thereof;
FIG. 28 is a bottom view thereof;
FIG. 29 is a perspective view of a fifth embodiment of an outboard motor embodying my new design;
FIG. 30 is a right side view thereof;
FIG. 31 is a rear view thereof;
FIG. 32 is a left side view thereof;
FIG. 33 is a front view thereof;
FIG. 34 is a top view thereof;
FIG. 35 is a bottom view thereof;
FIG. 36 is a perspective view of a sixth embodiment of an outboard motor embodying my new design;
FIG. 37 is a right side view thereof;
FIG. 38 is a rear view thereof;
FIG. 39 is a left side view thereof;
FIG. 40 is a front view thereof;
FIG. 41 is a top view thereof; and,
FIG. 42 is a bottom view thereof.

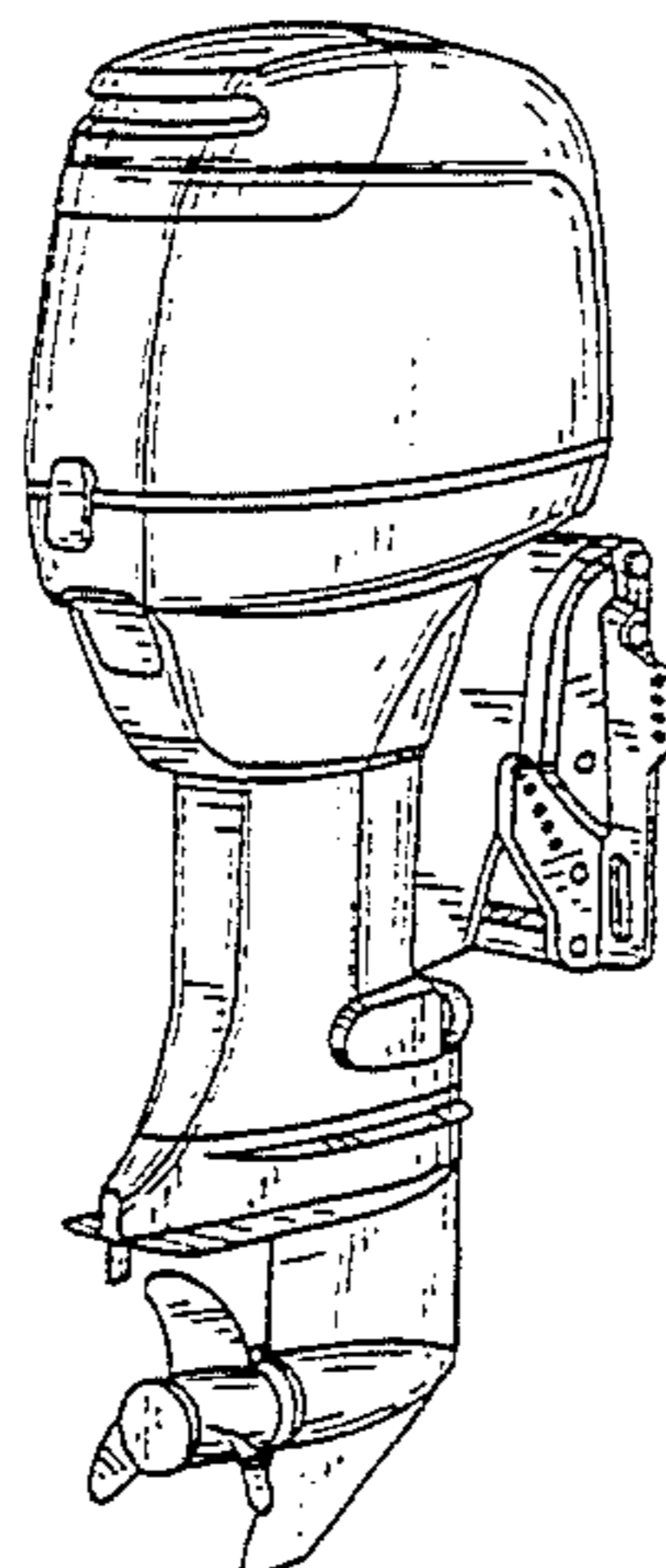


FIG. 1

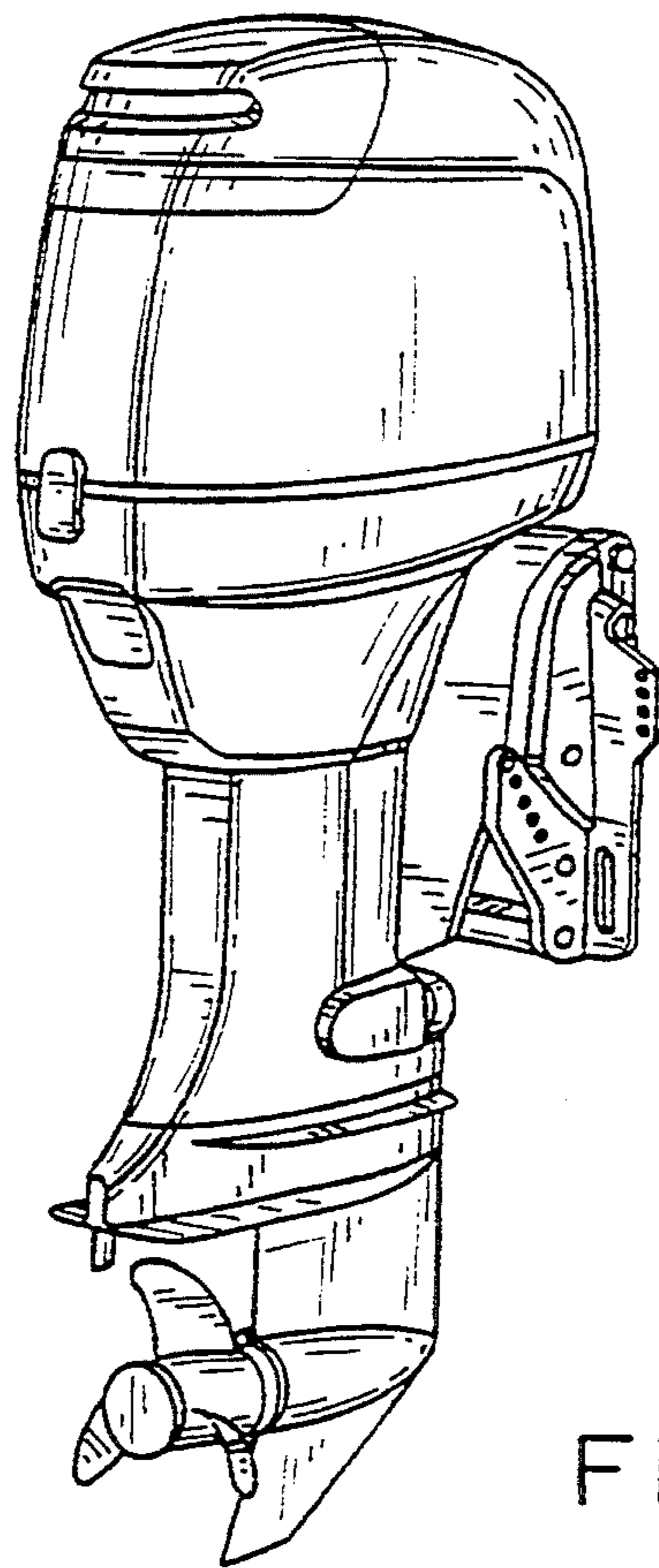


FIG. 2

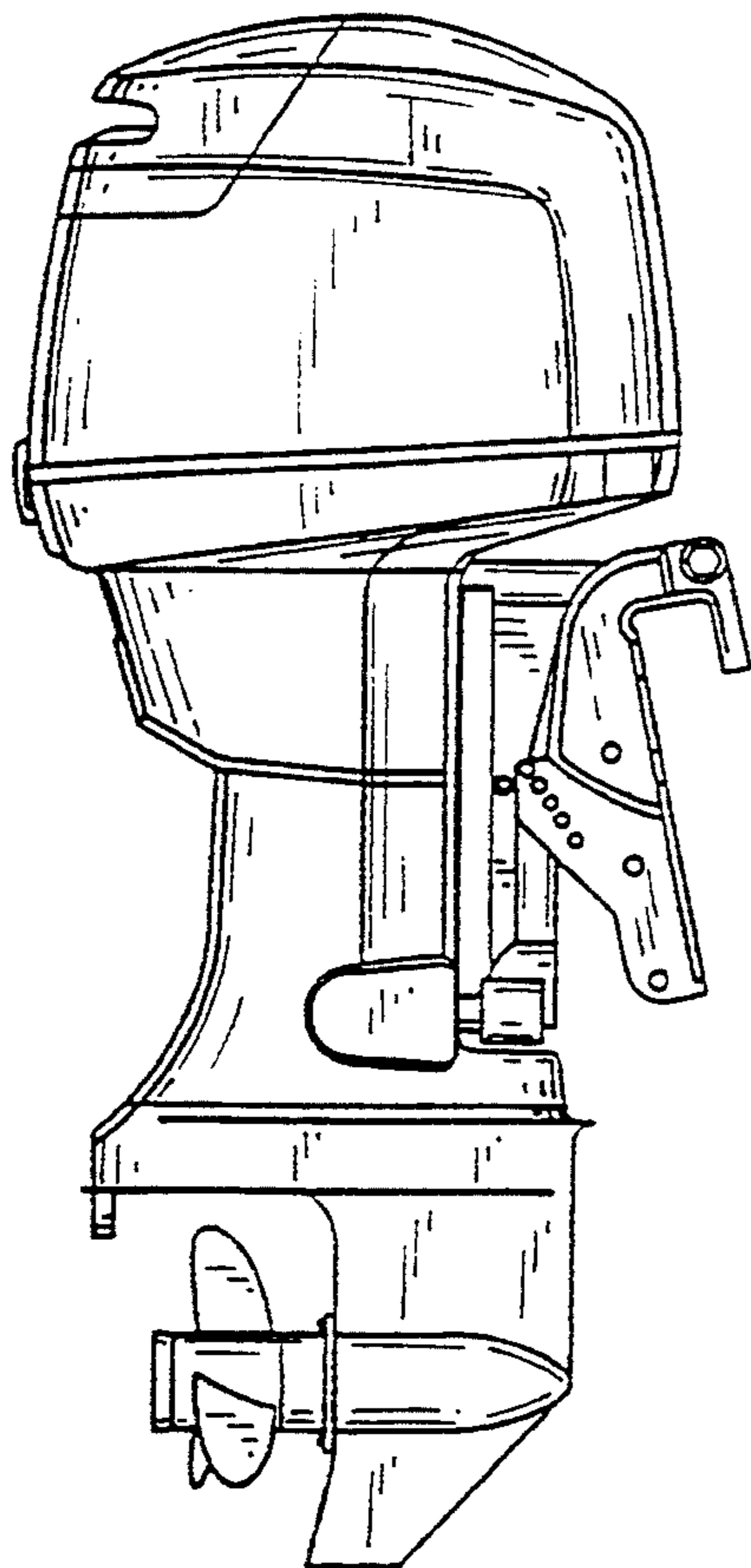


FIG. 3

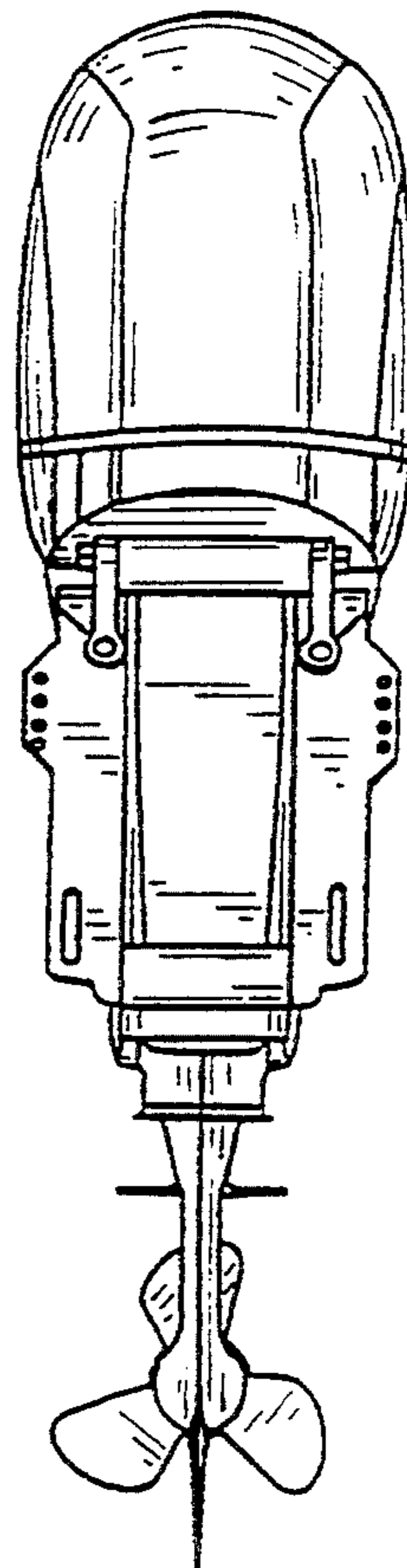


FIG. 4

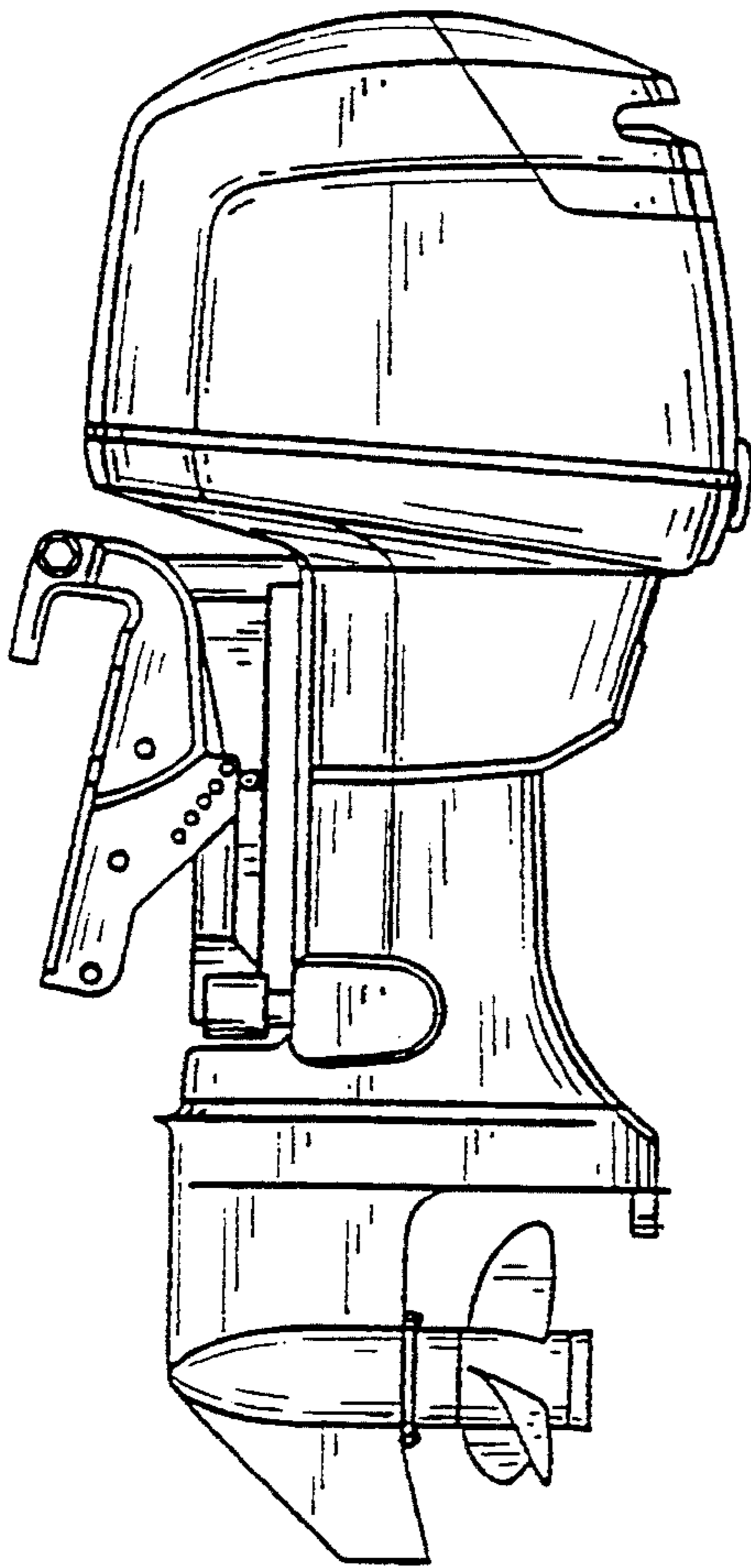


FIG. 5

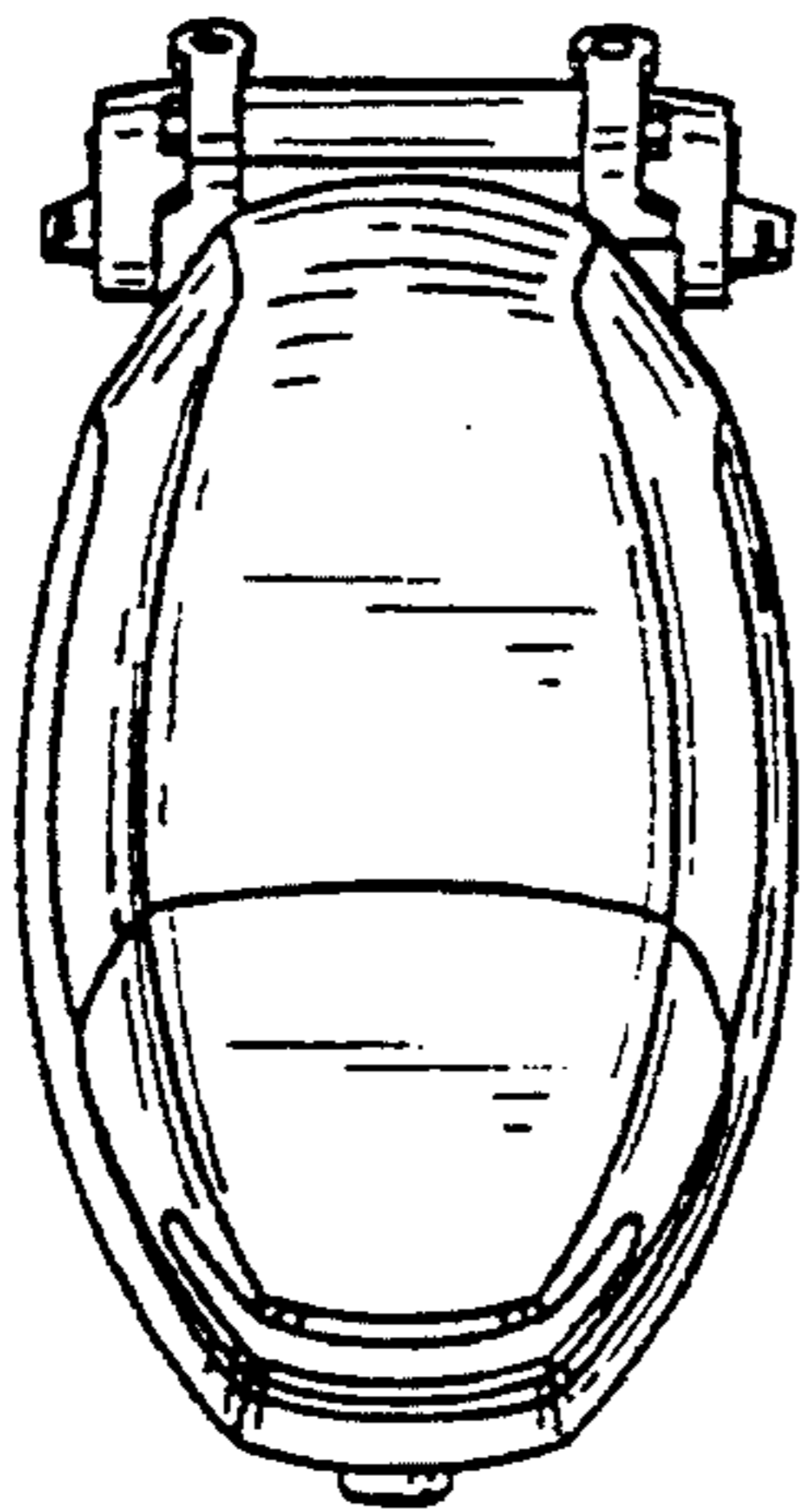
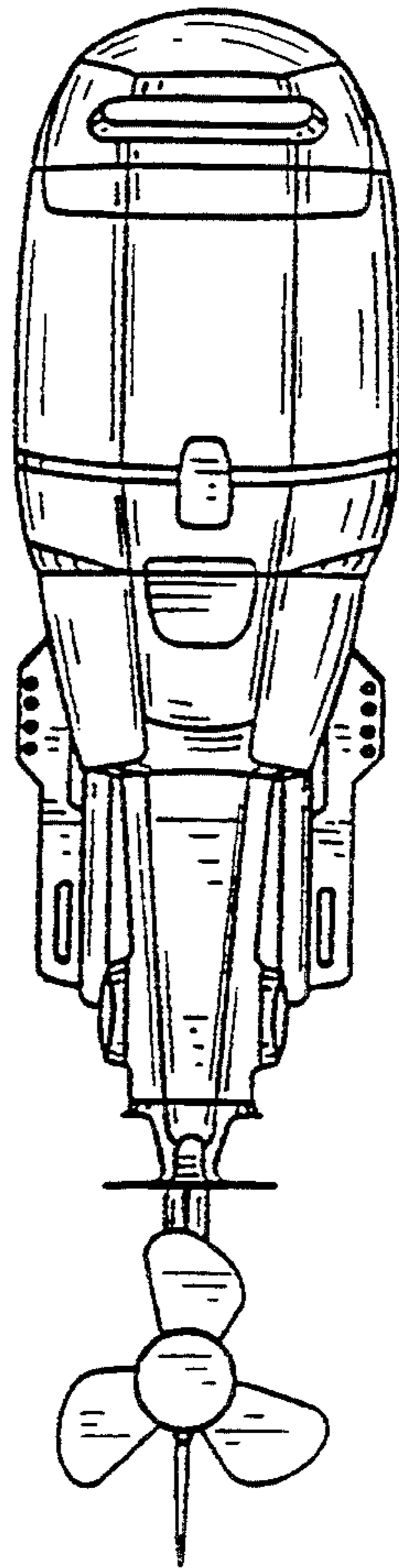


FIG. 6

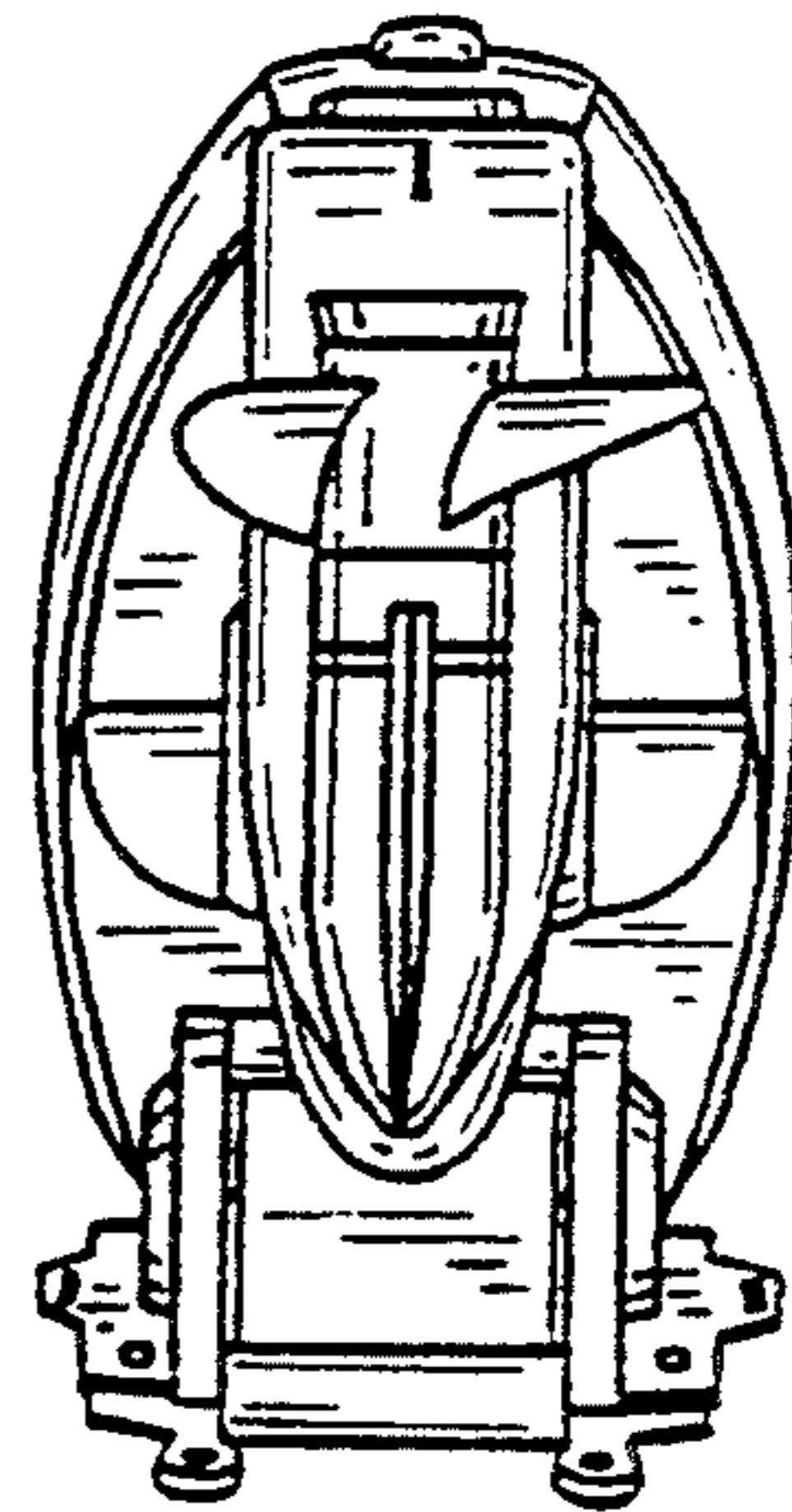


FIG. 7

FIG. 8

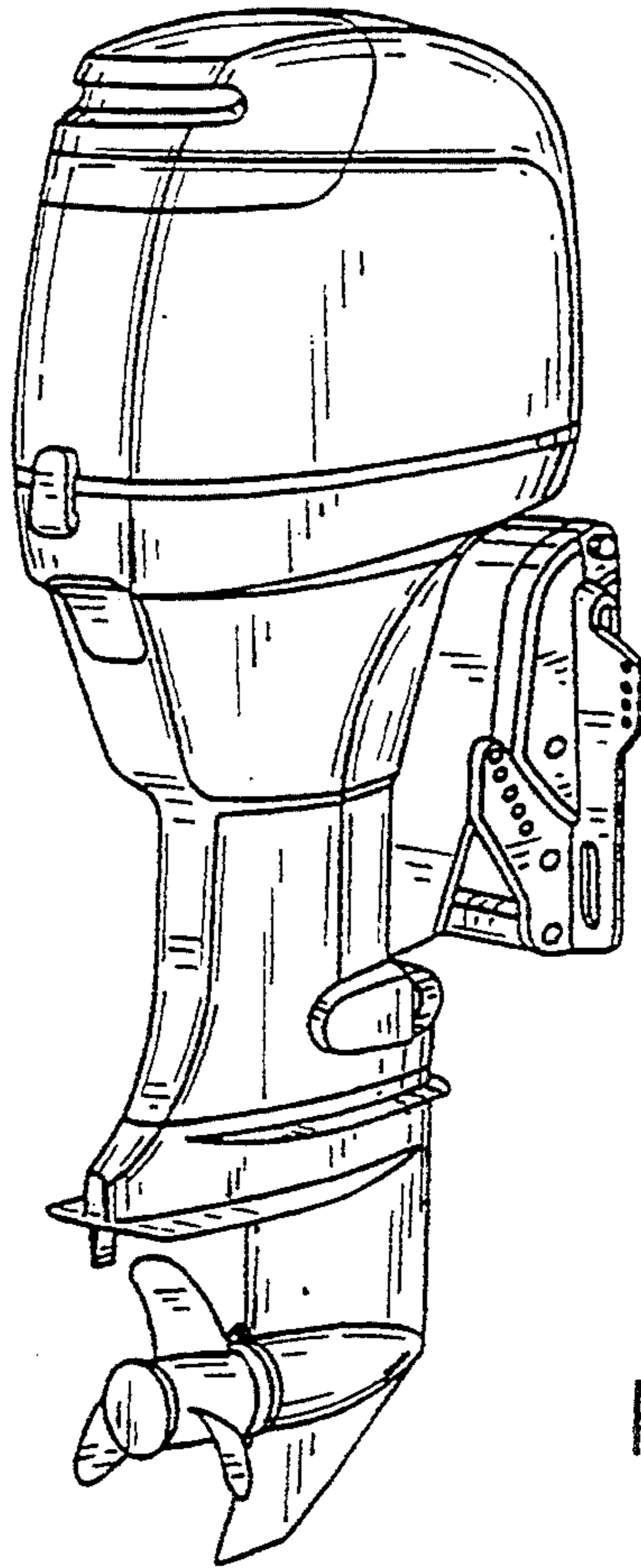


FIG. 9

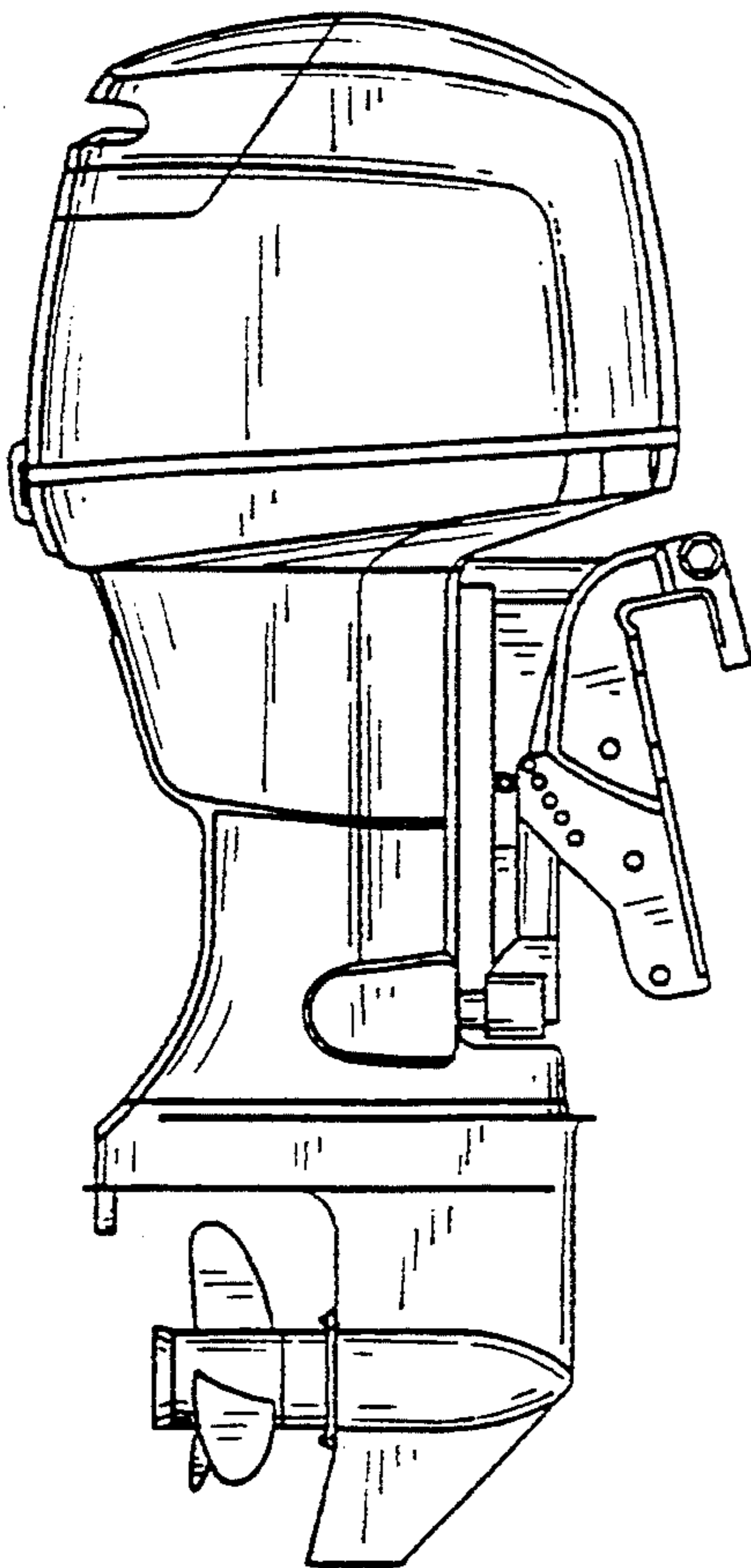


FIG. 10

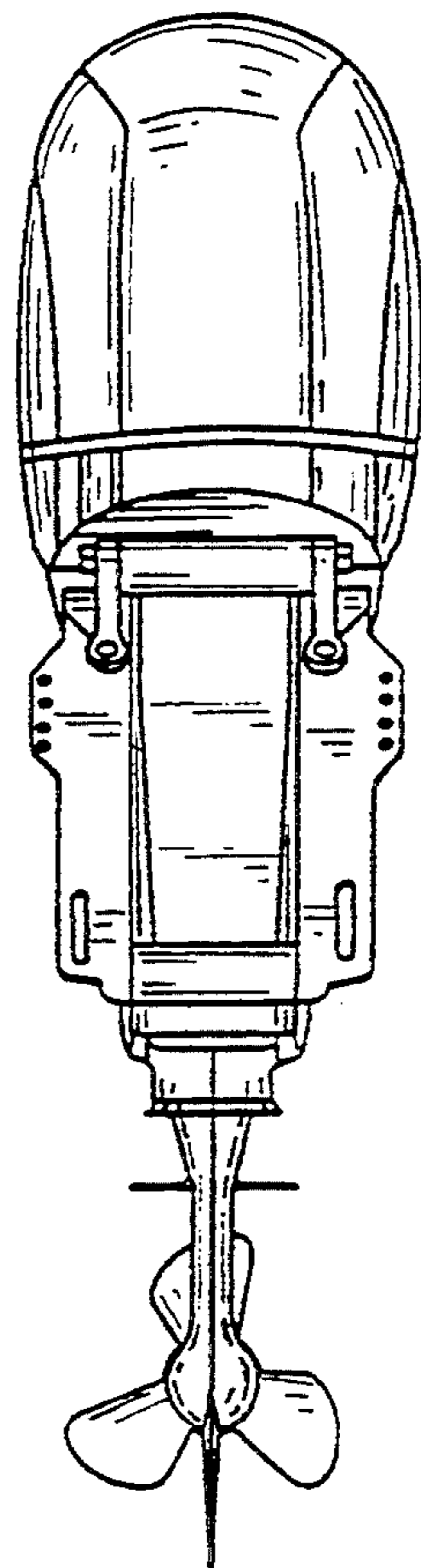


FIG.11

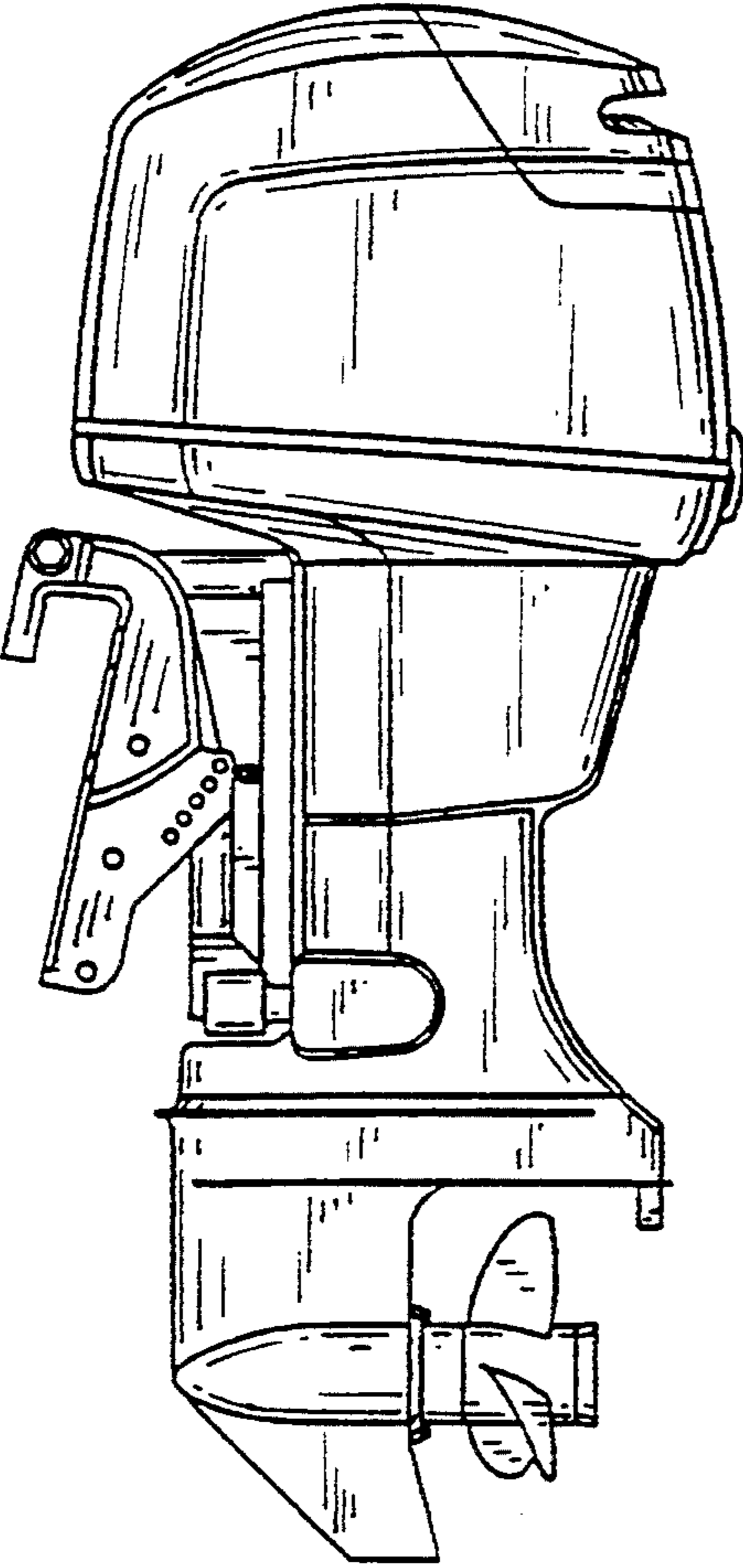


FIG.12

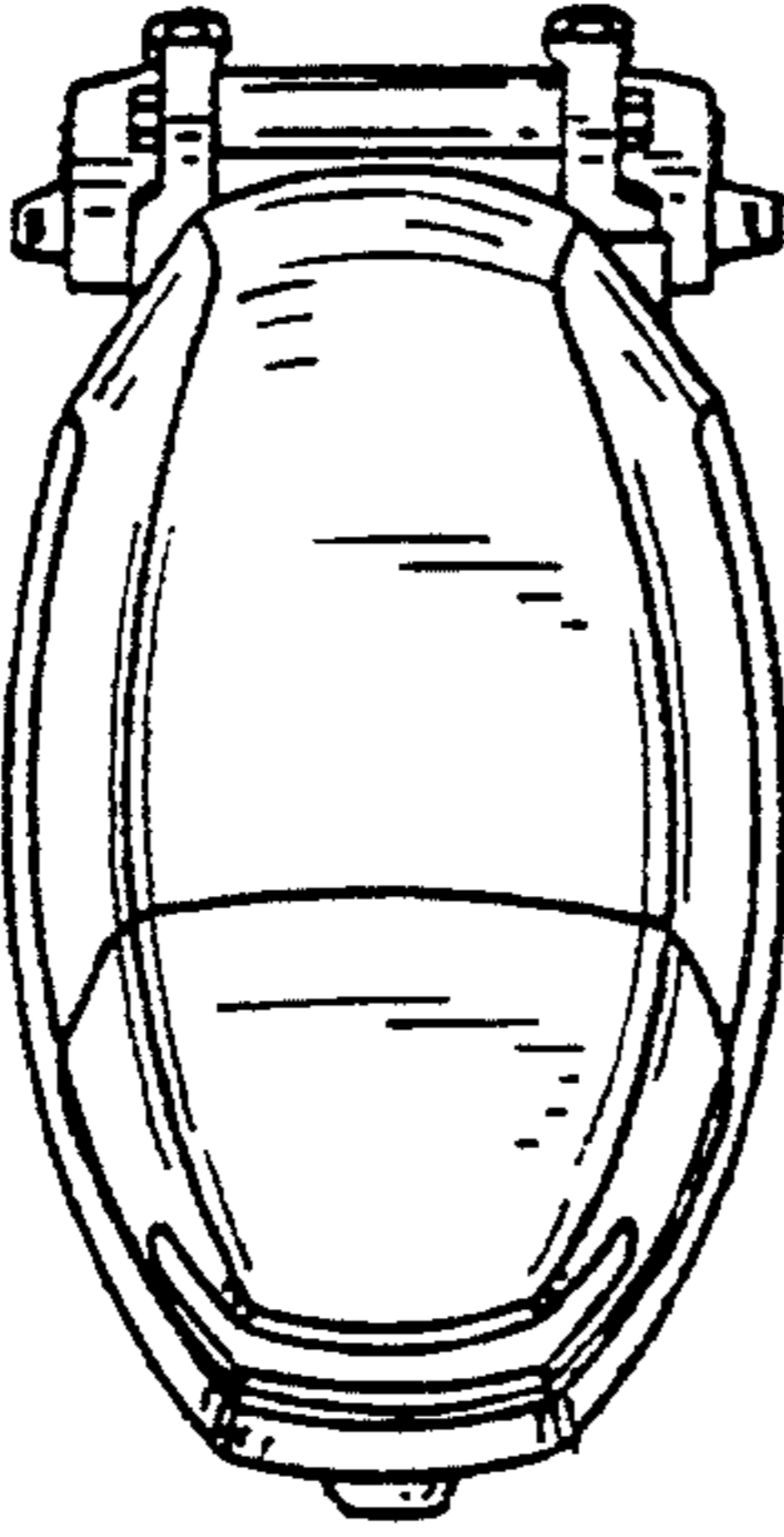
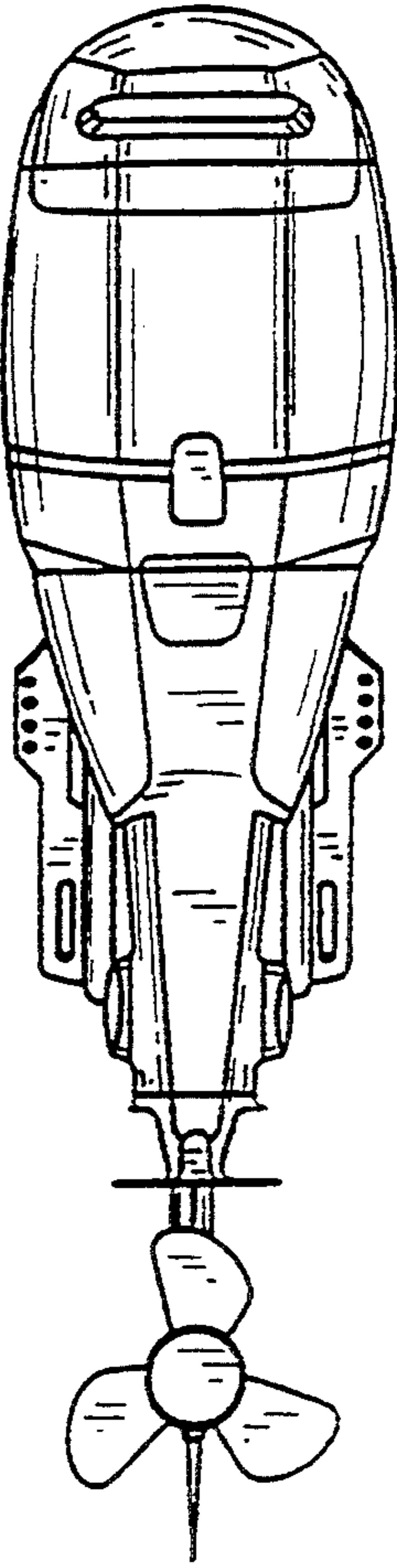


FIG.13

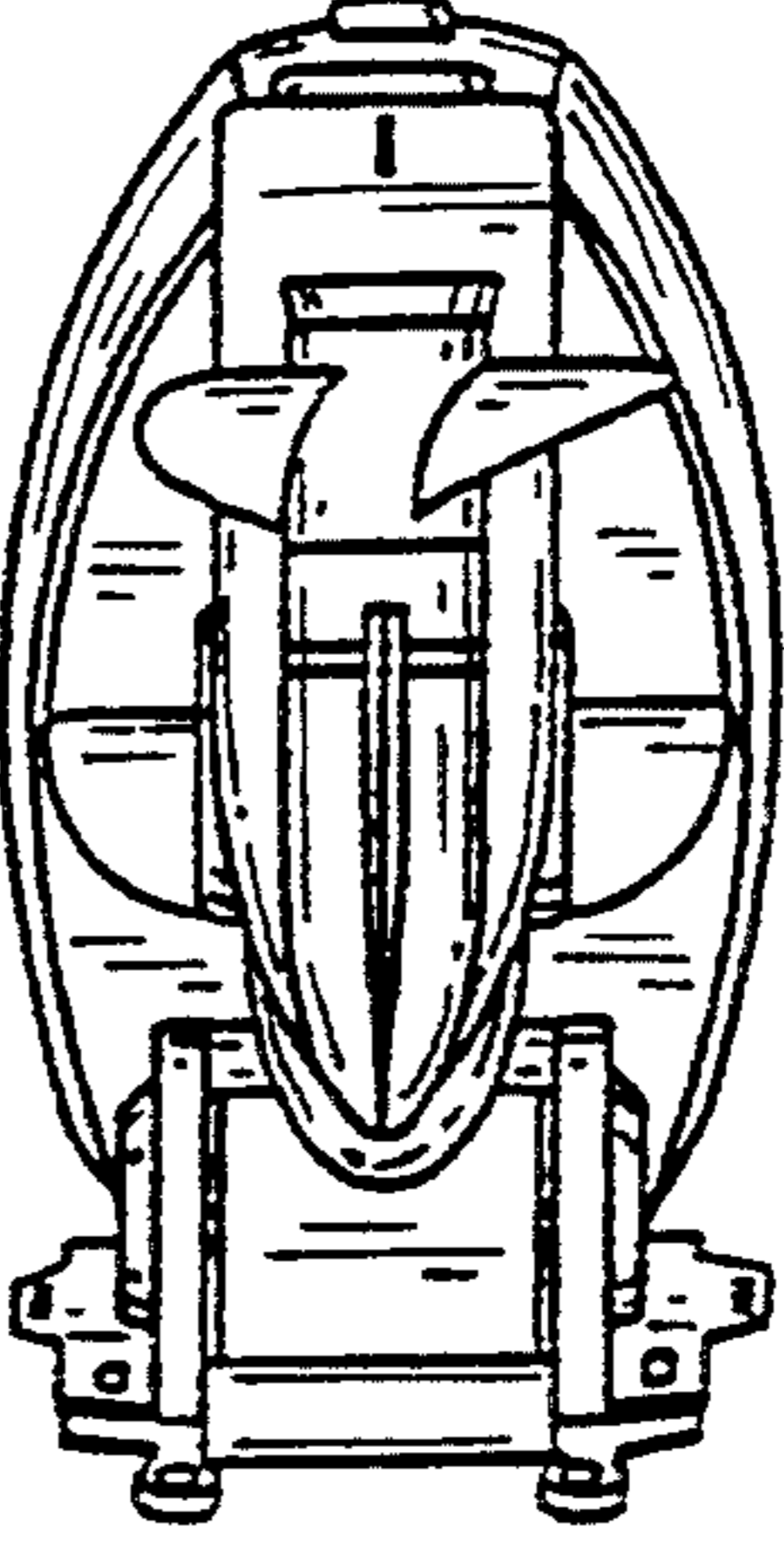


FIG.14

FIG 15

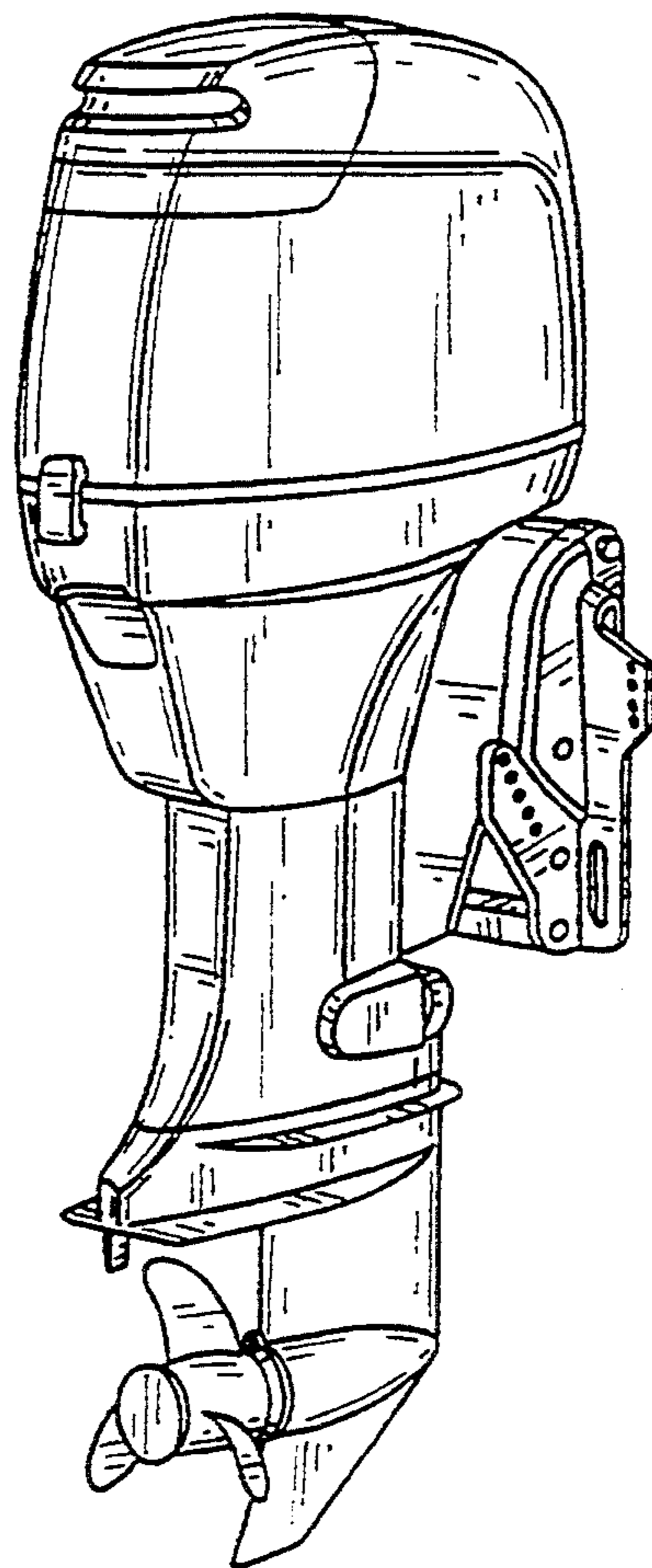


FIG.16

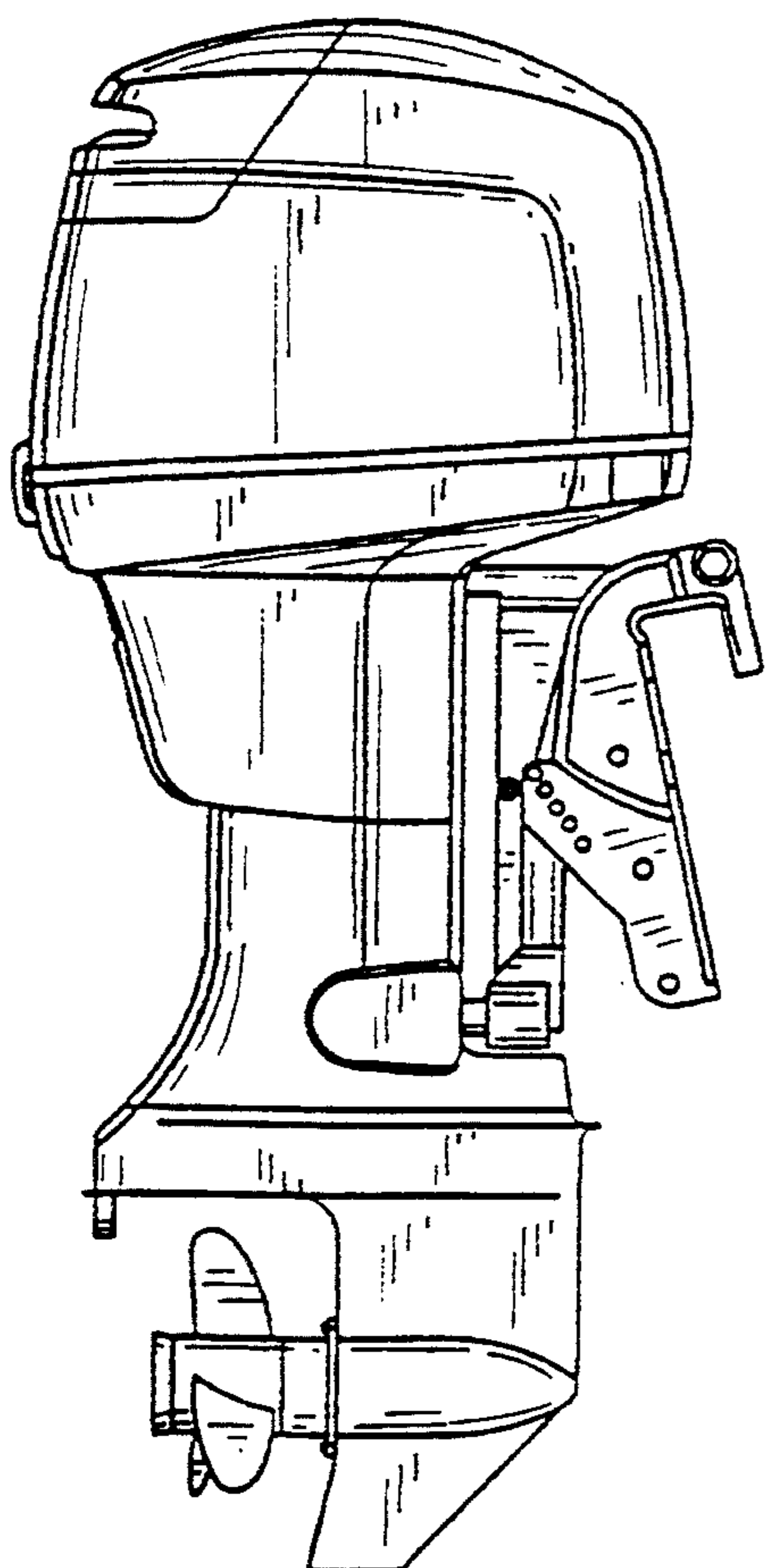


FIG.17

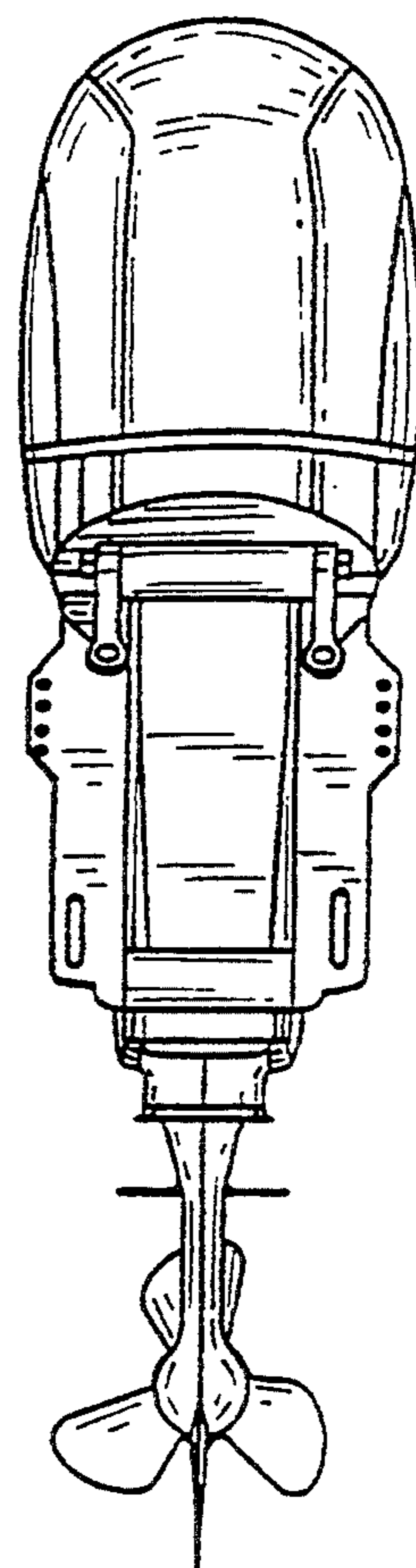


FIG.18

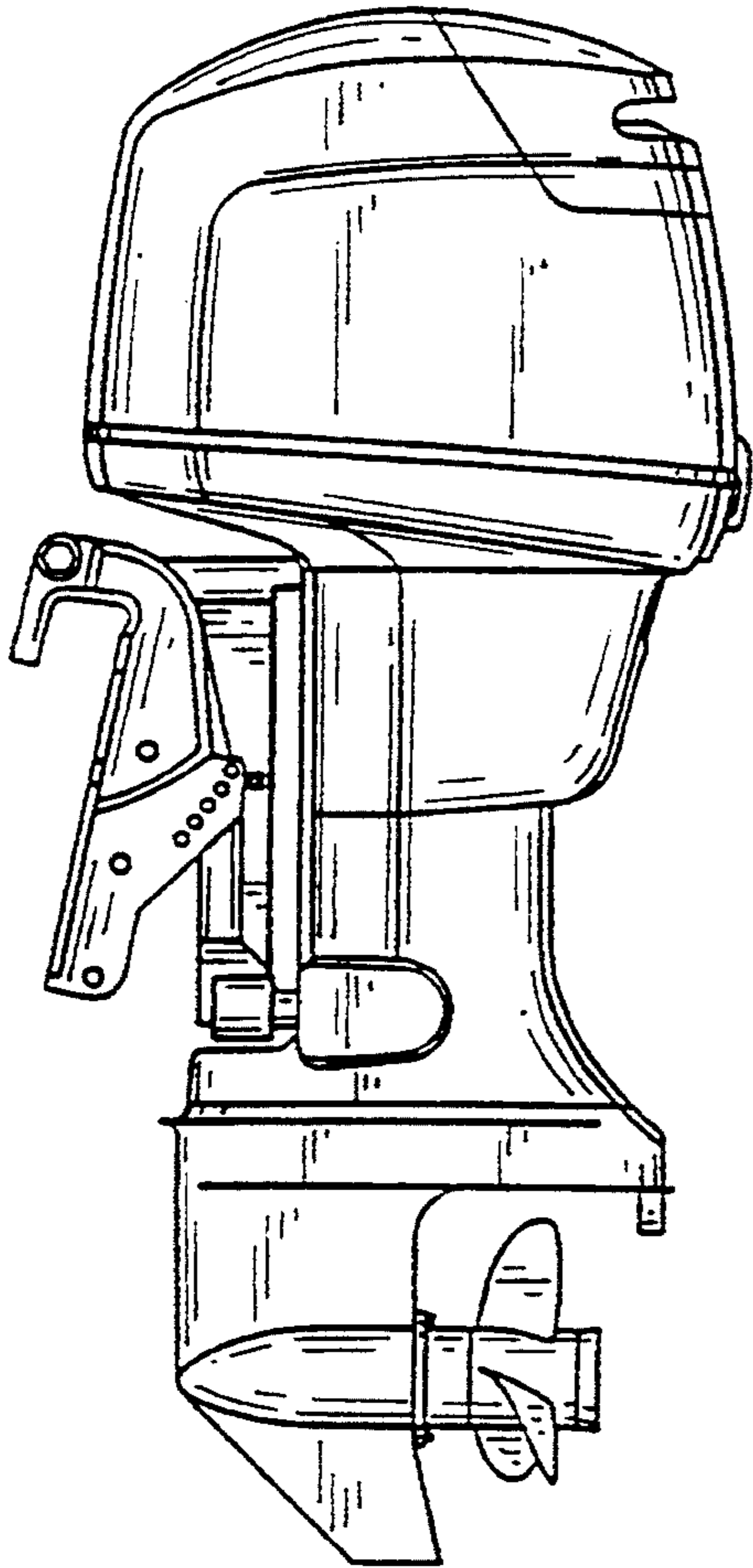


FIG.19

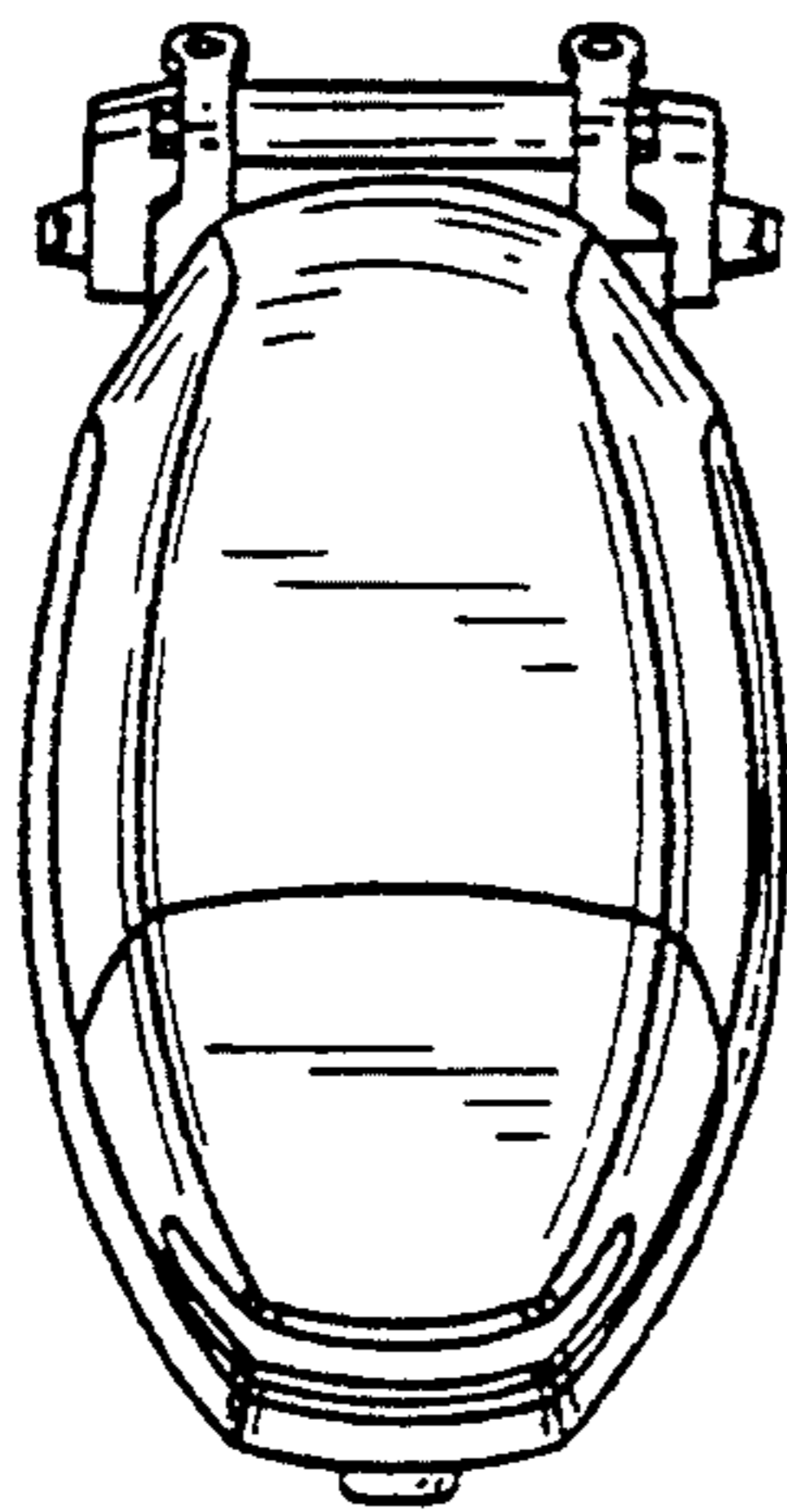
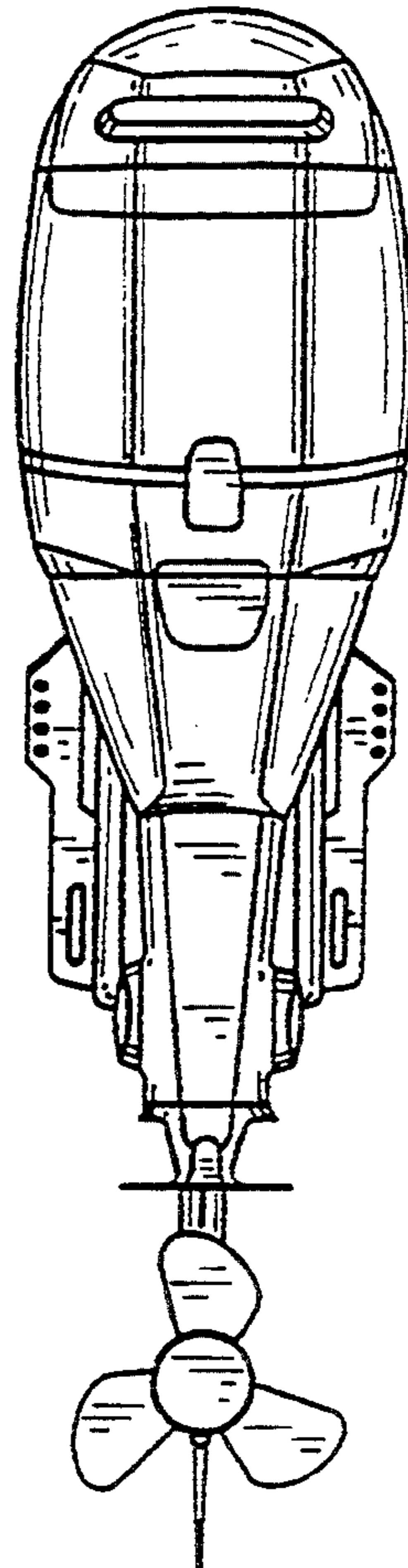


FIG. 20

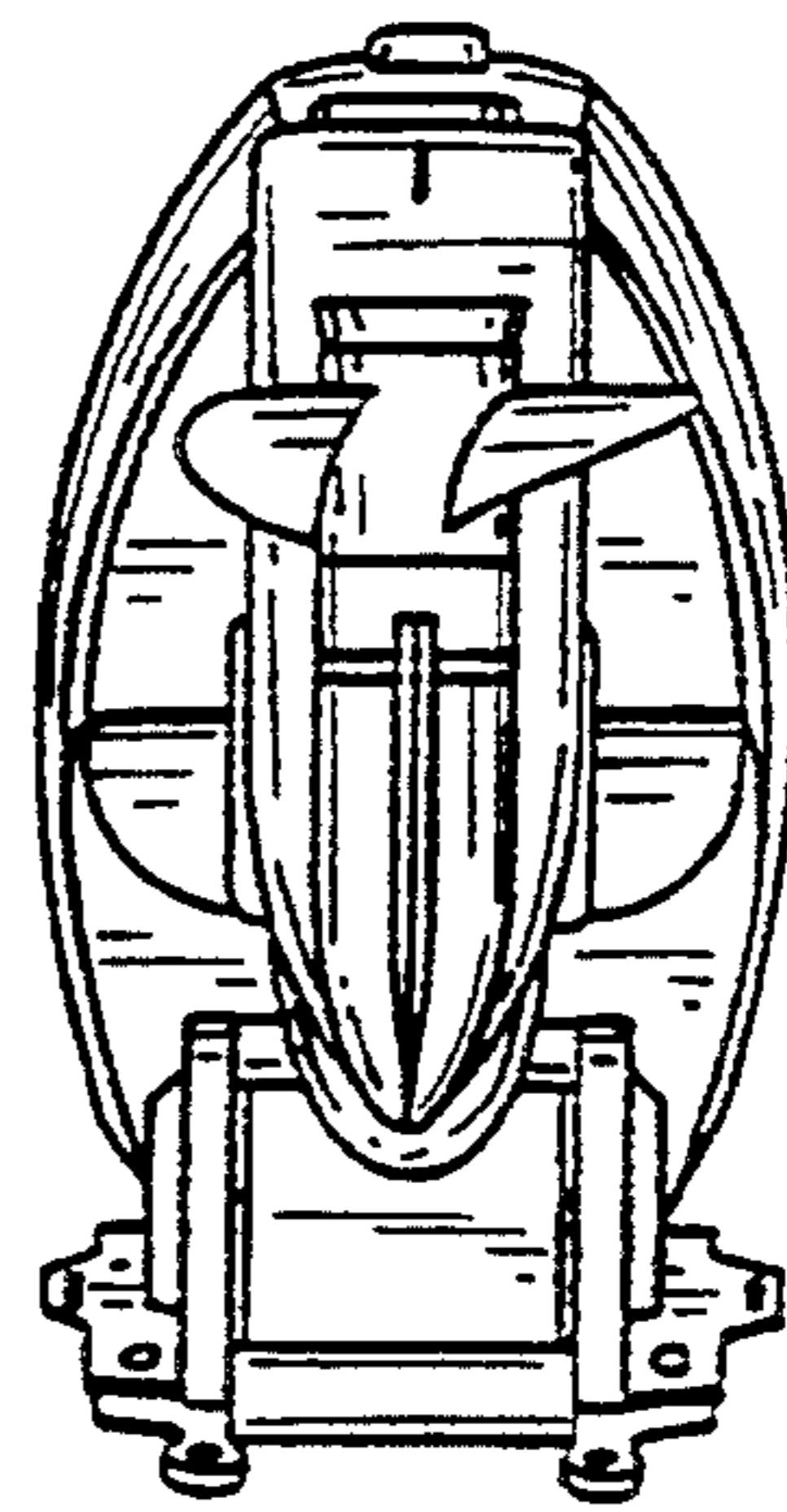


FIG. 21

FIG. 22

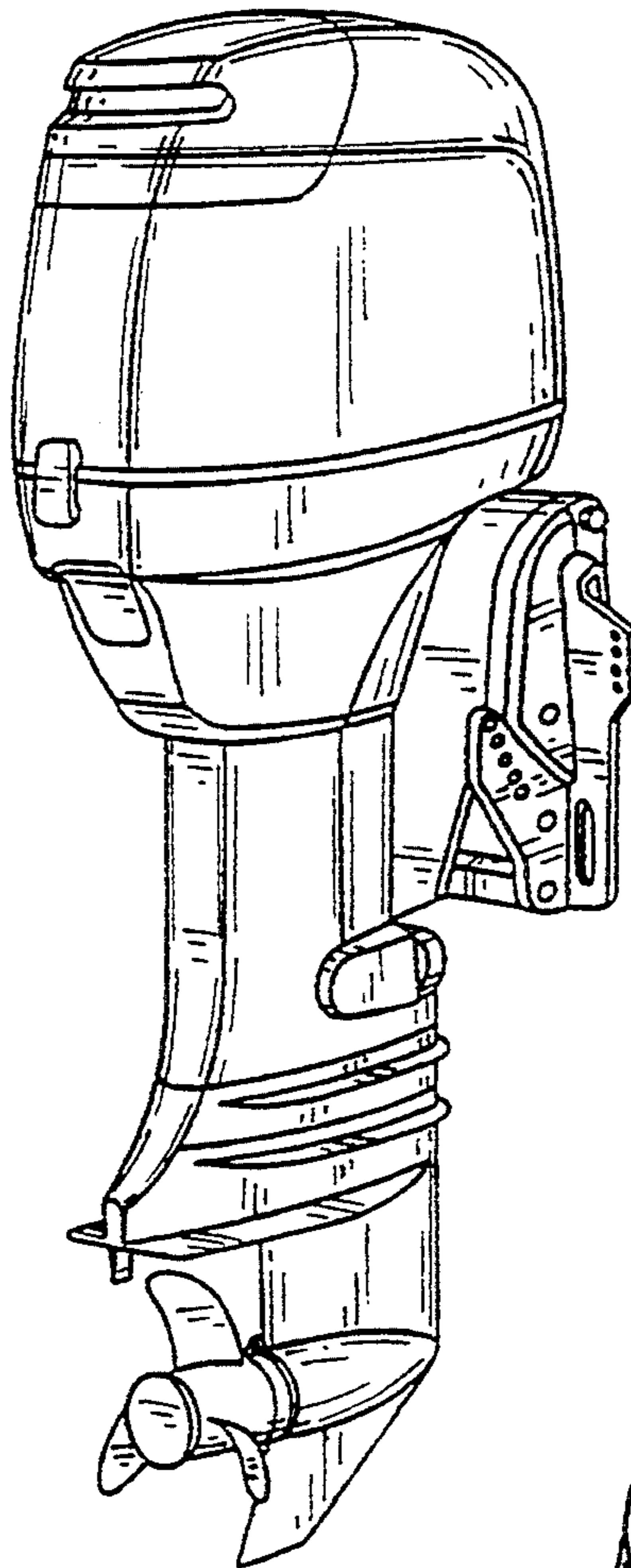


FIG. 23

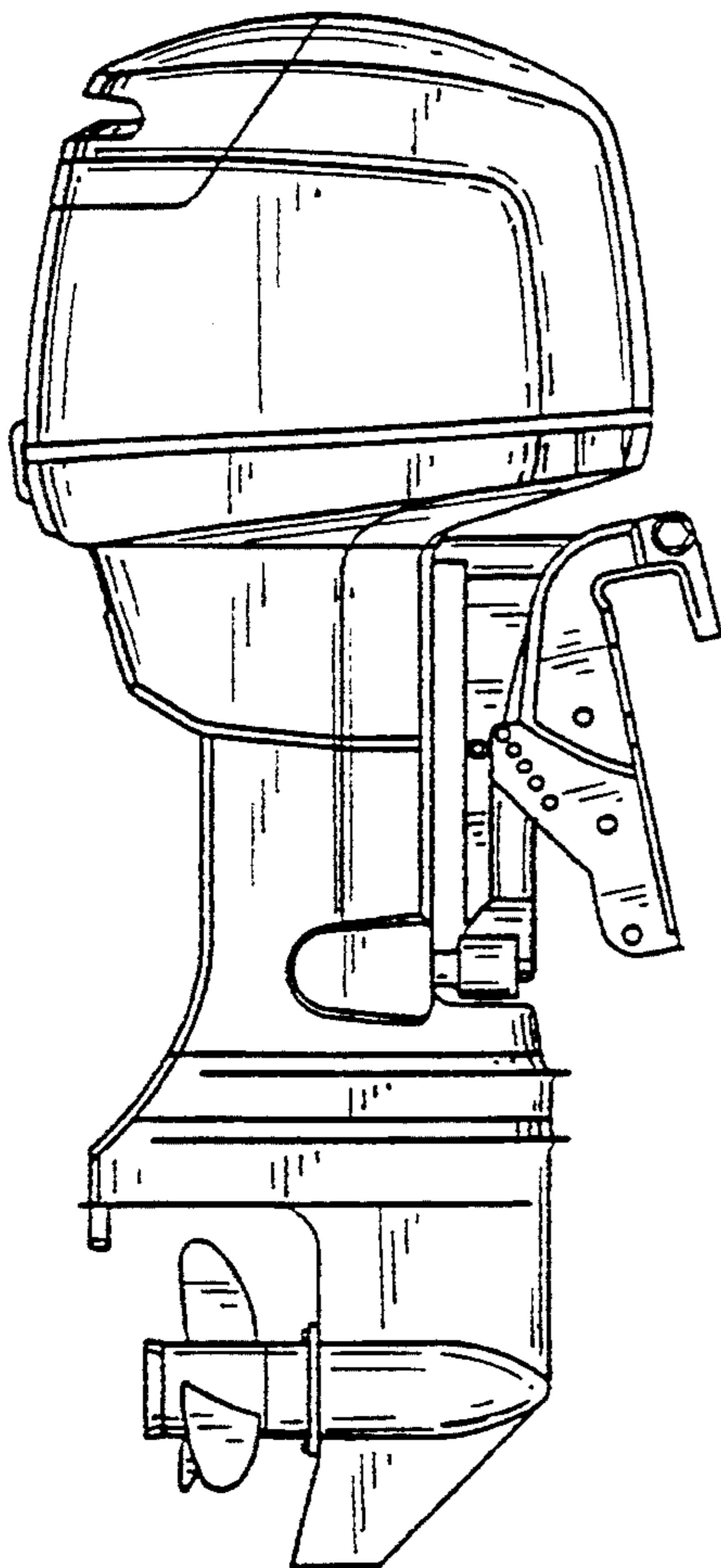


FIG. 24

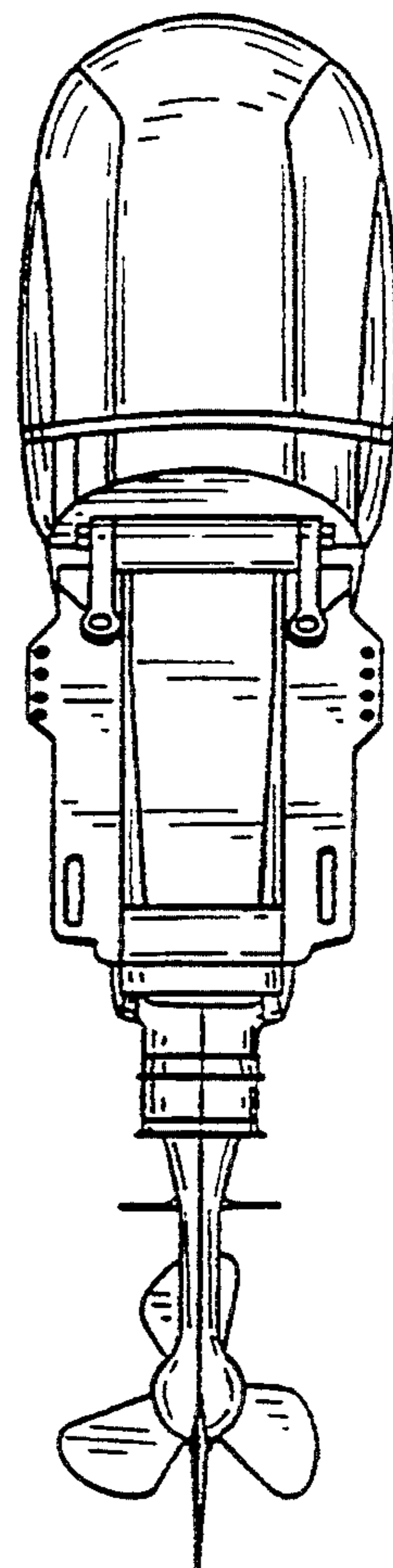


FIG. 25

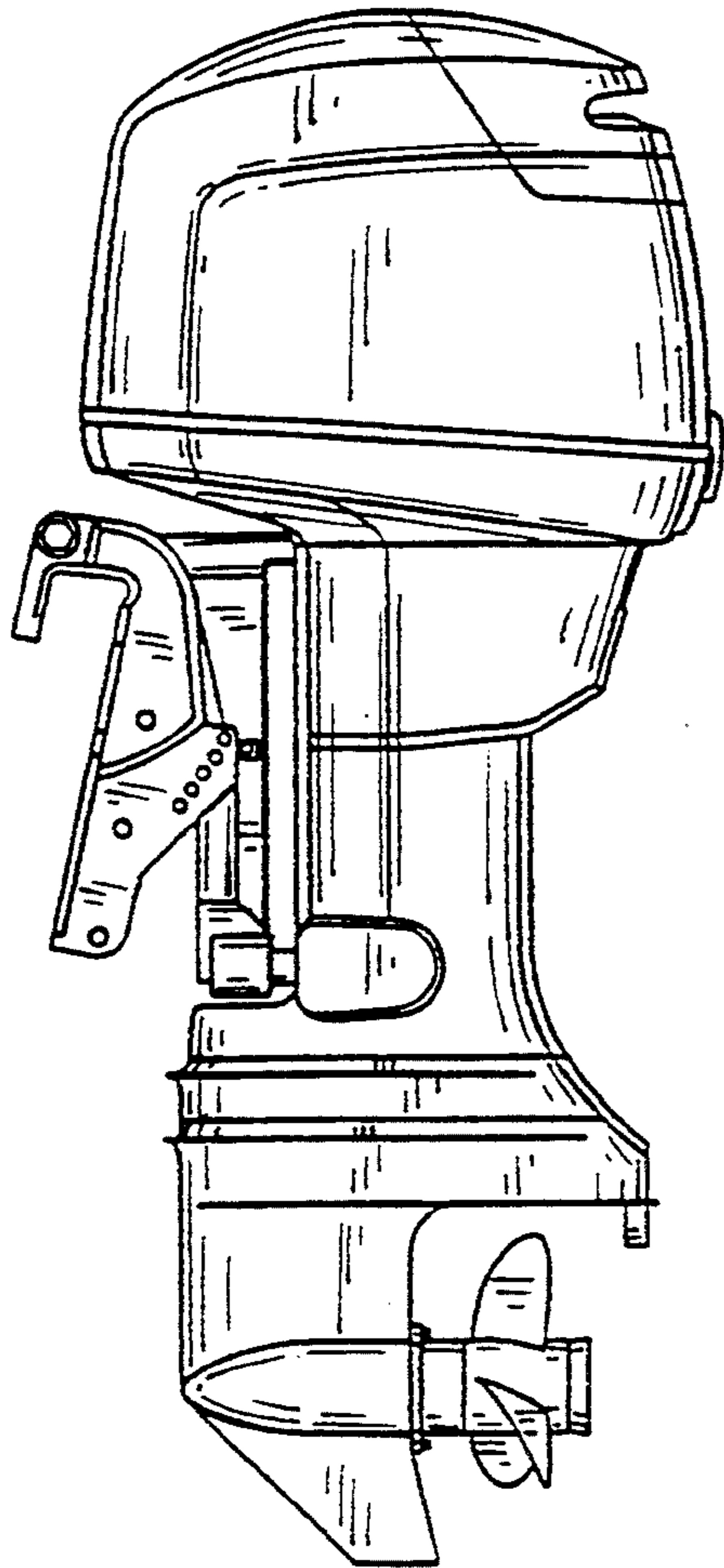


FIG. 26

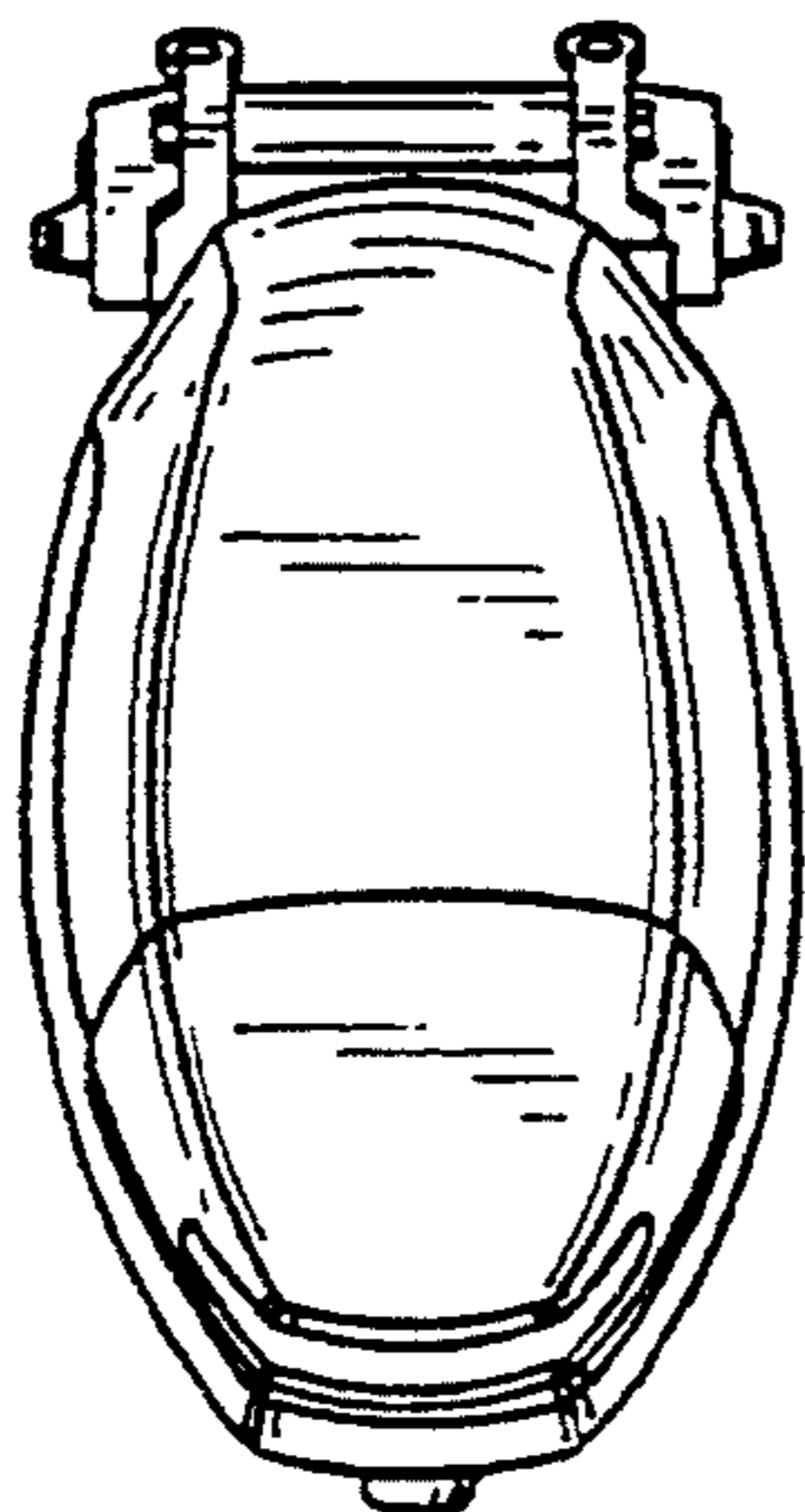
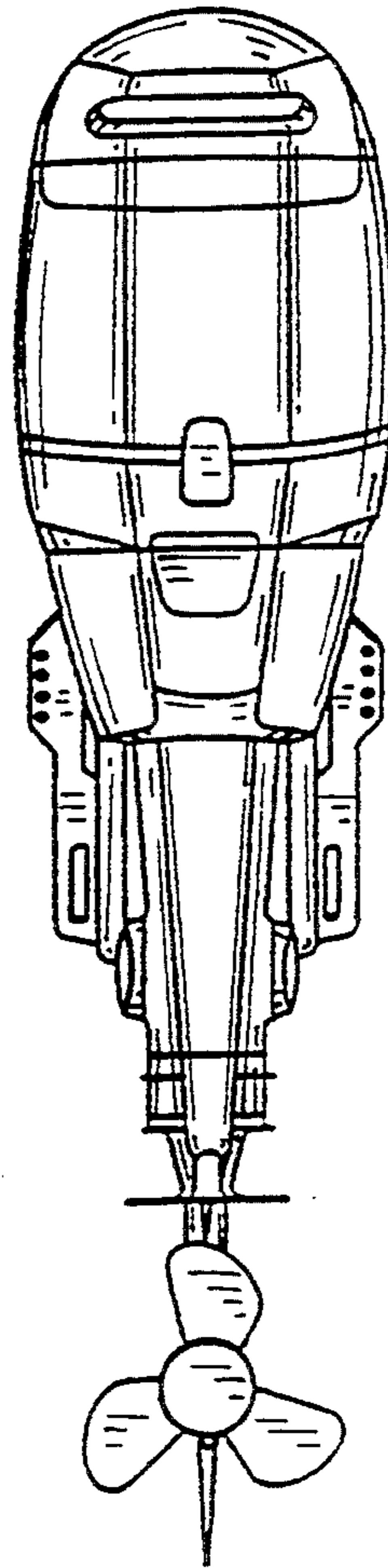


FIG. 27

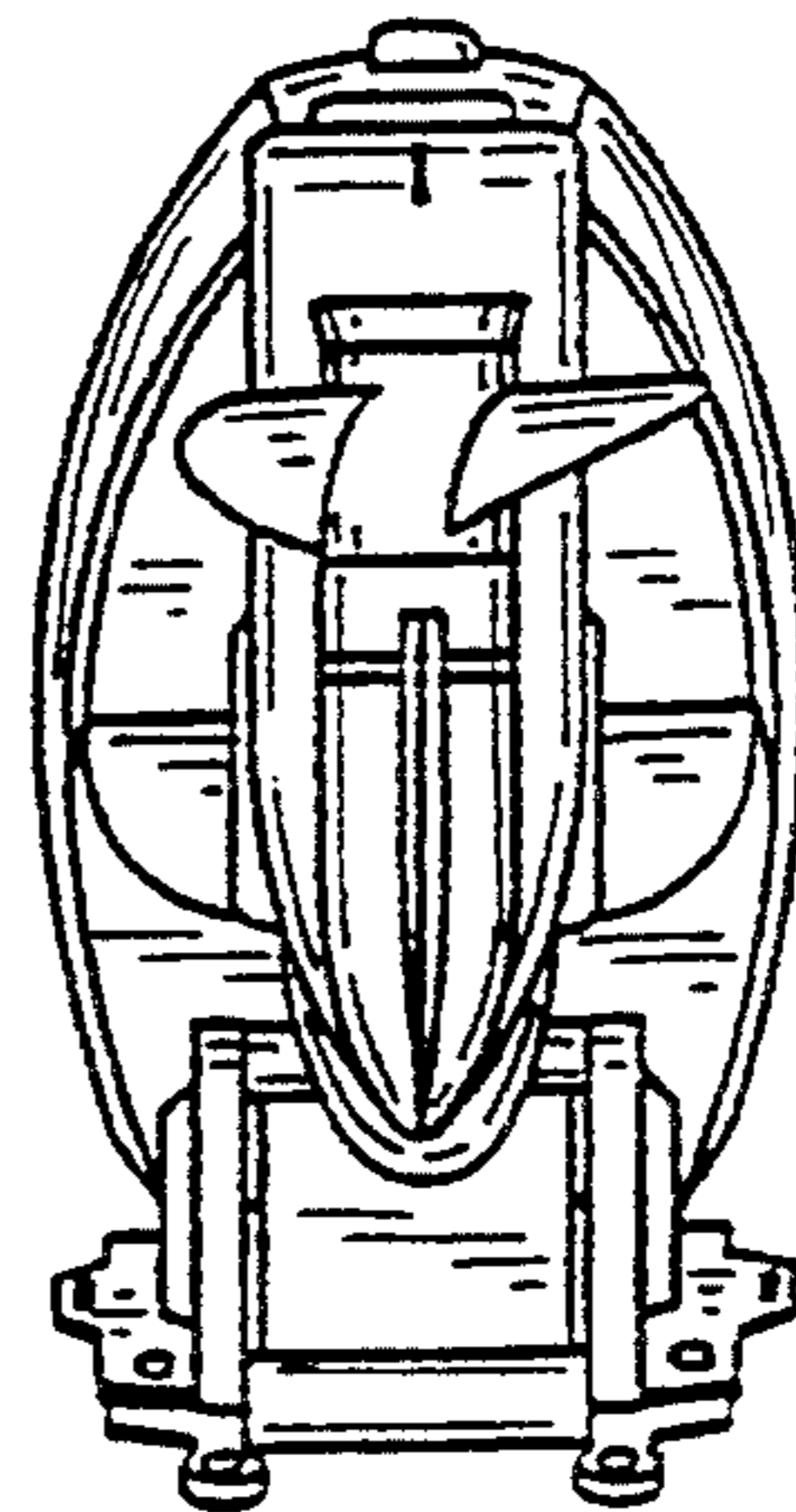


FIG. 28

FIG. 29

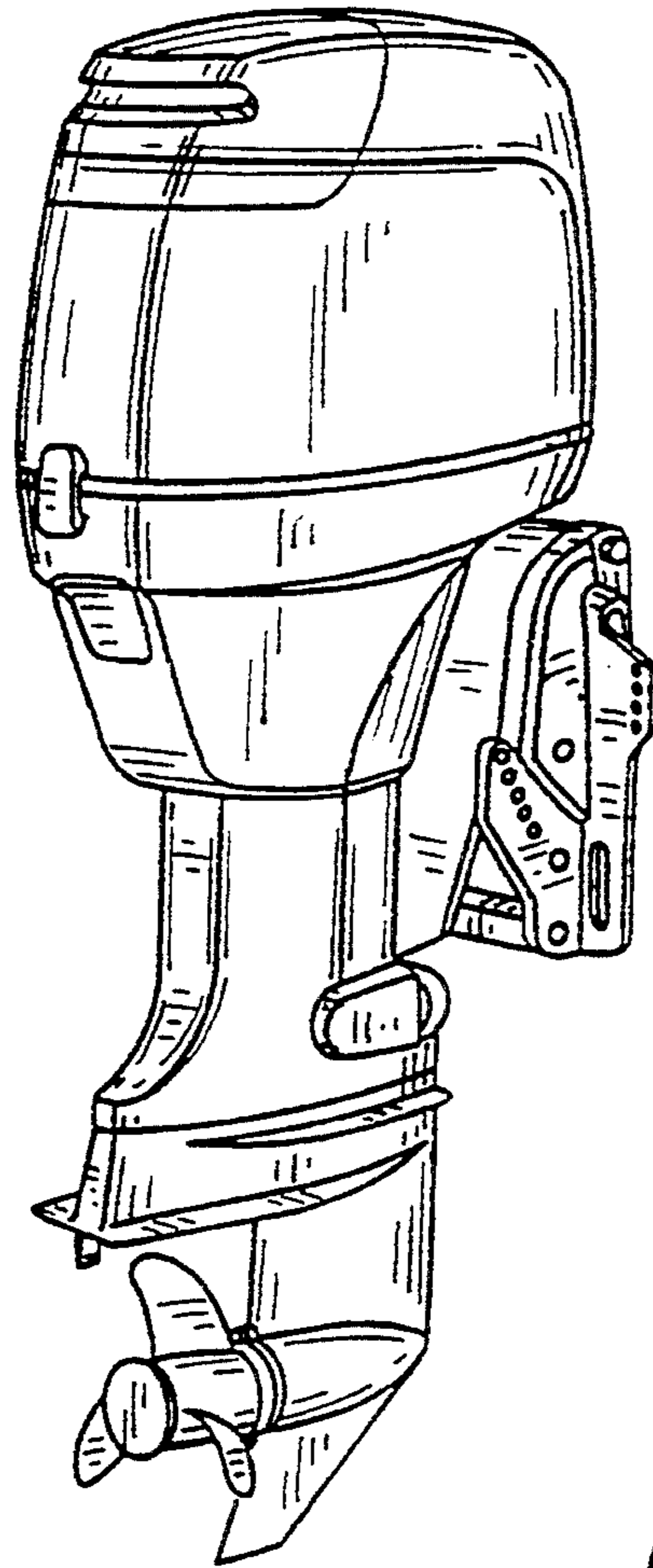


FIG. 30

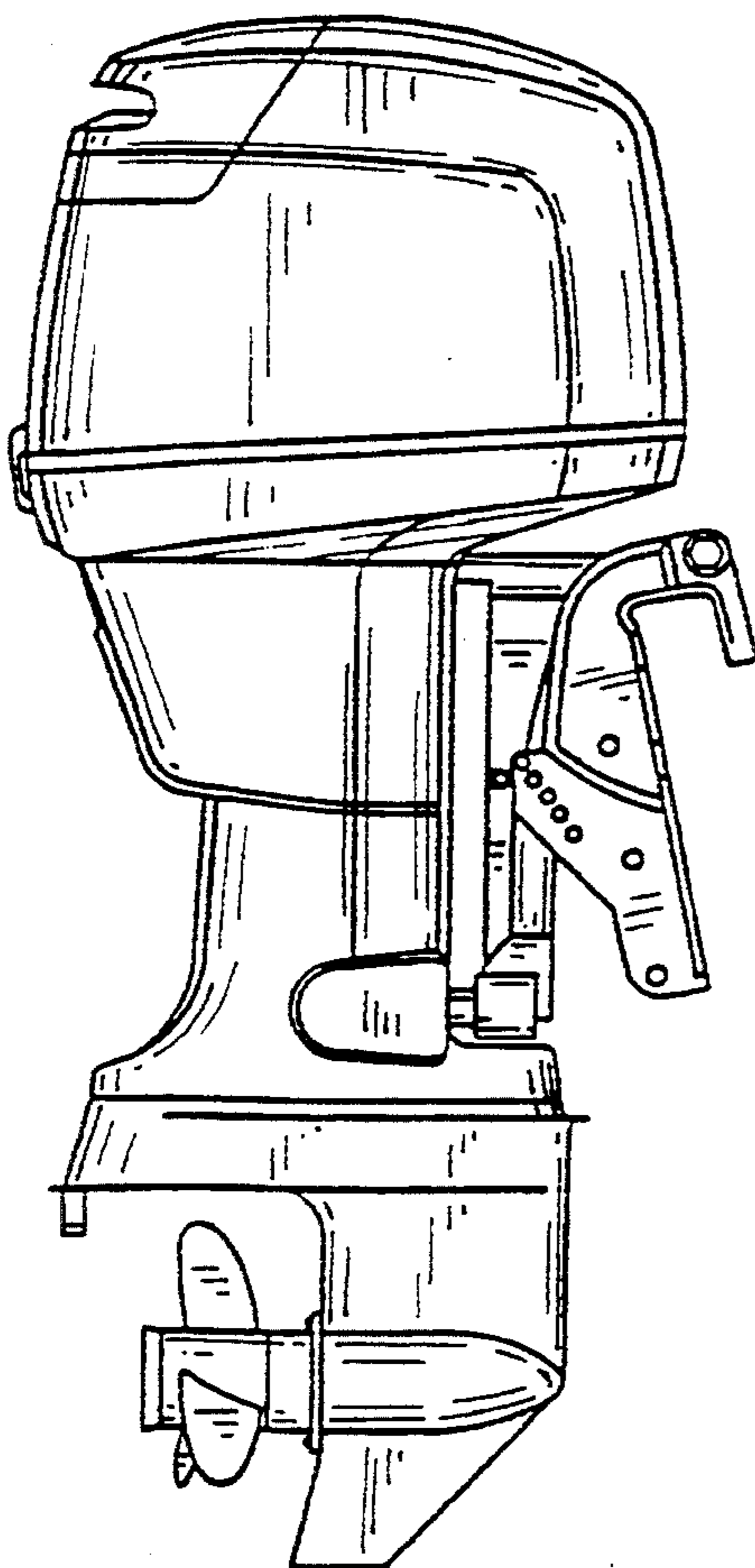


FIG. 31

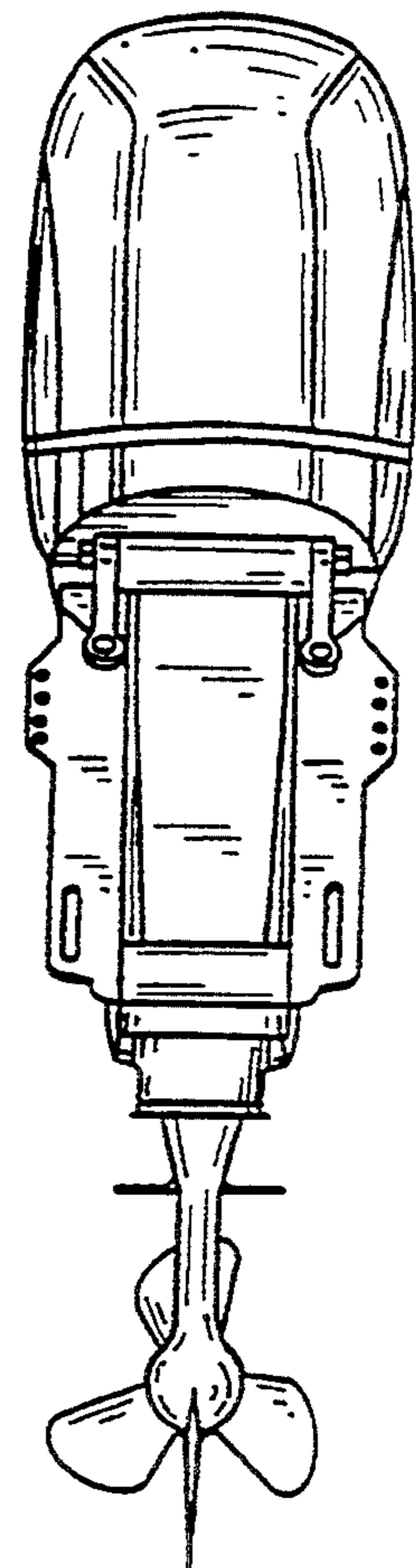


FIG. 32

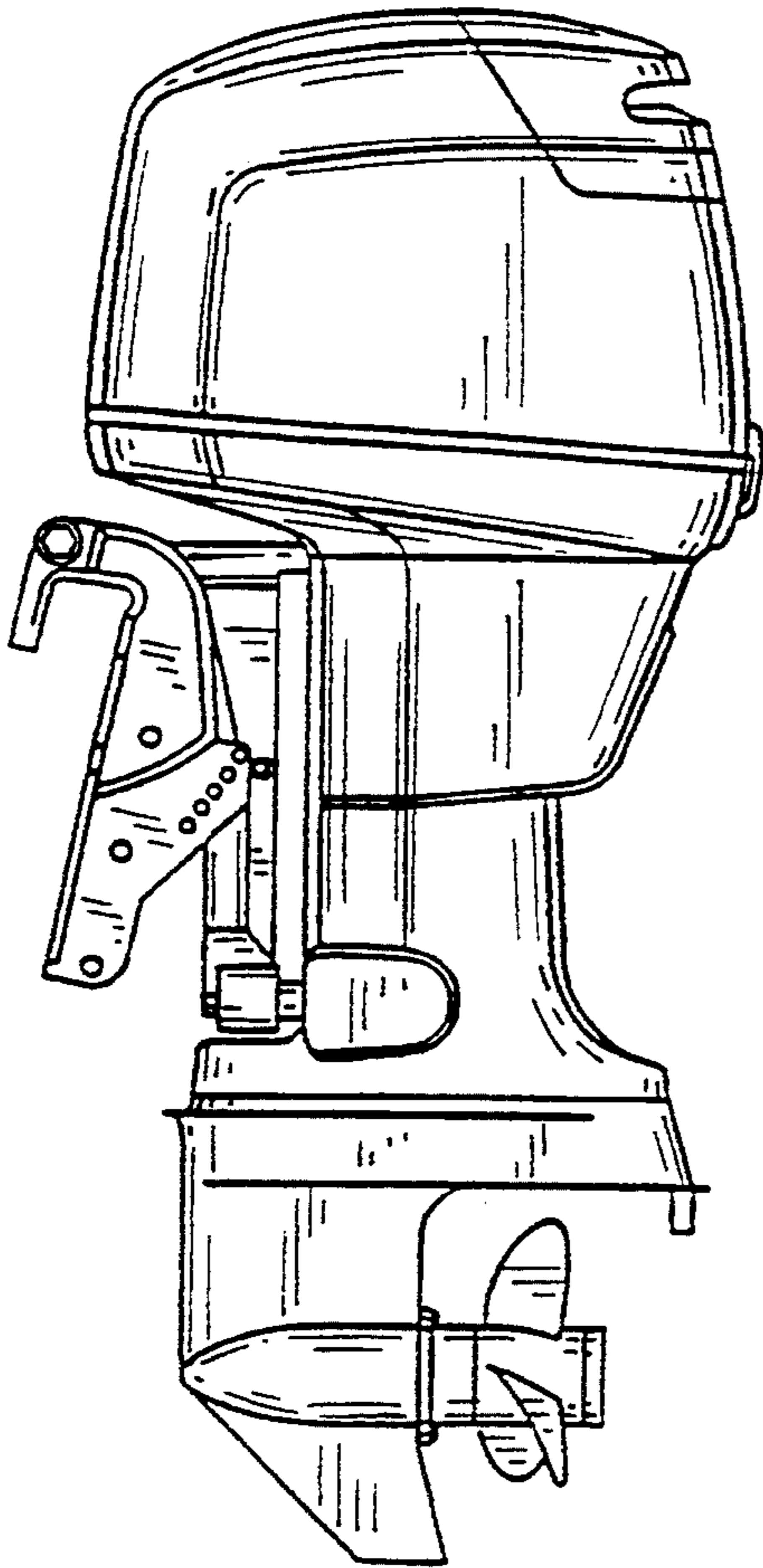


FIG. 33

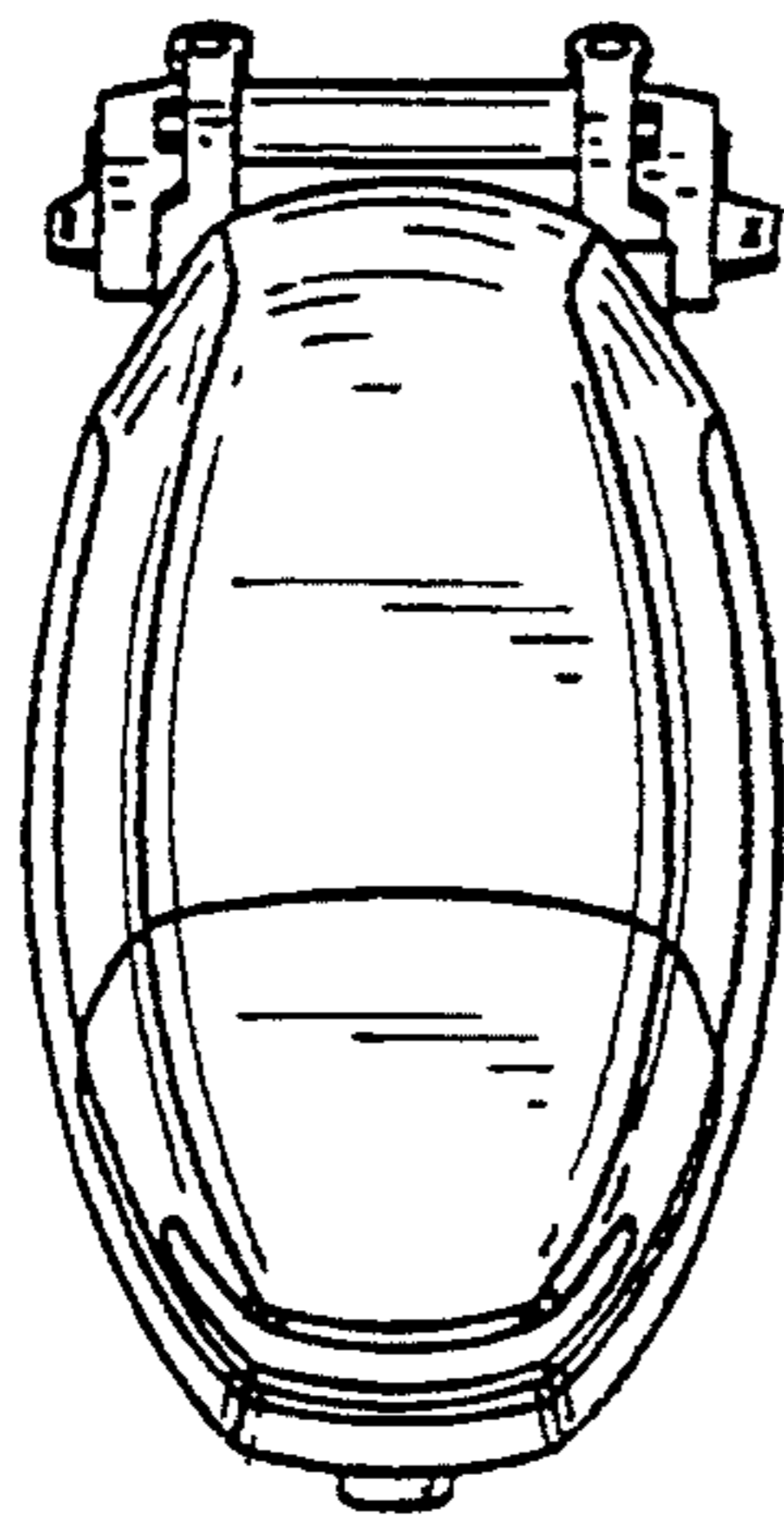
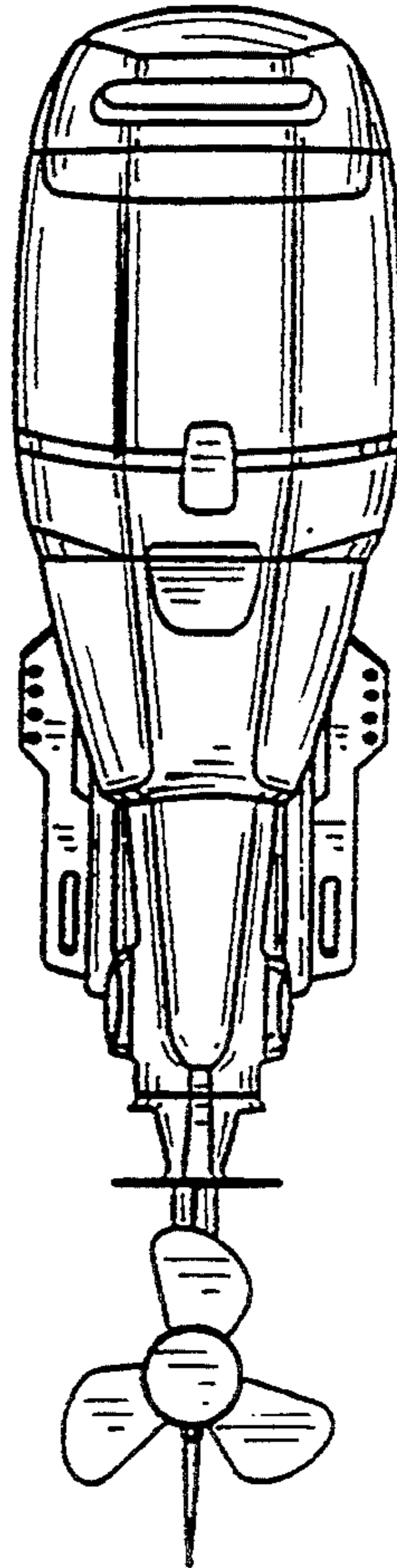


FIG. 34

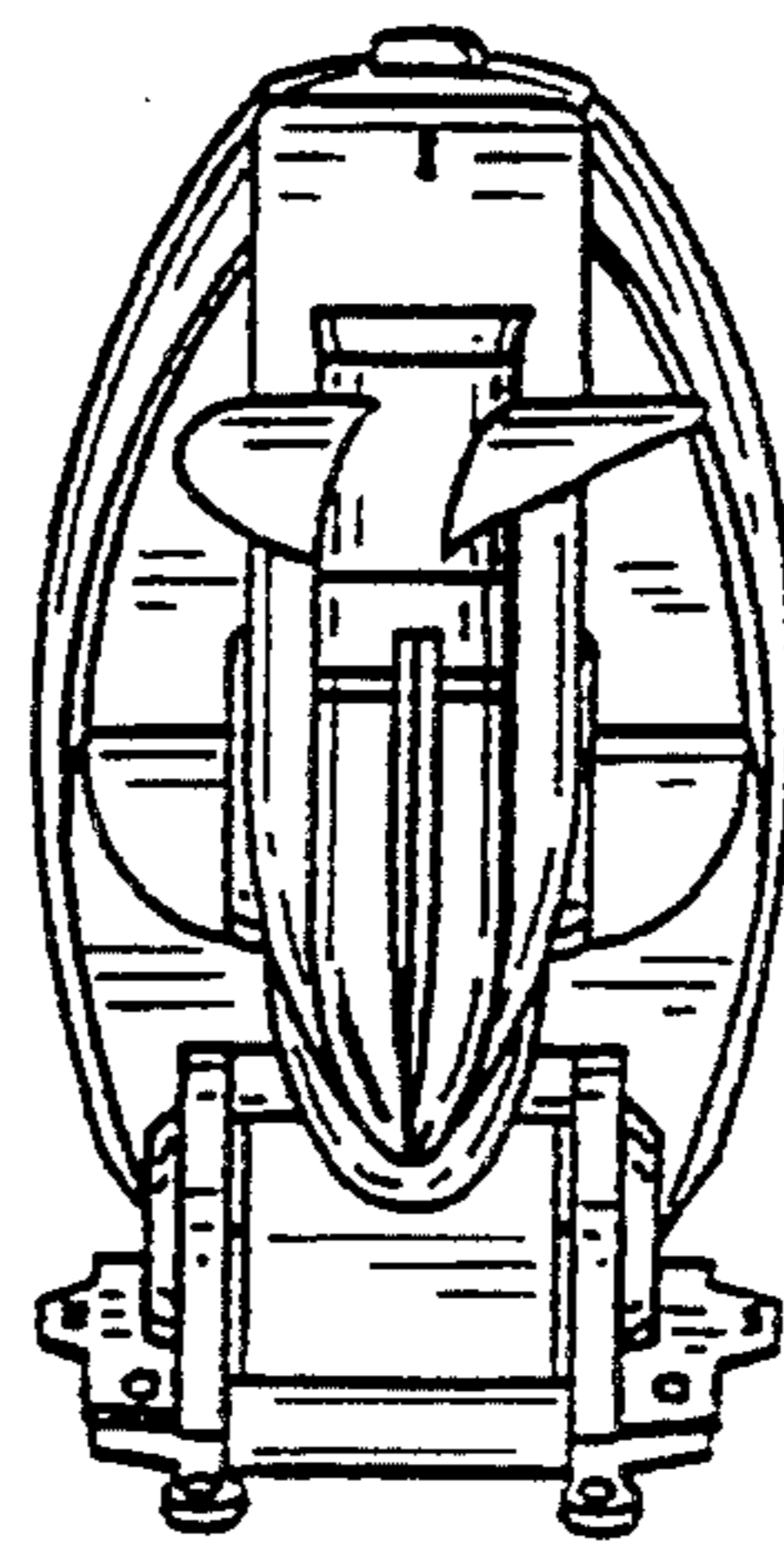


FIG. 35

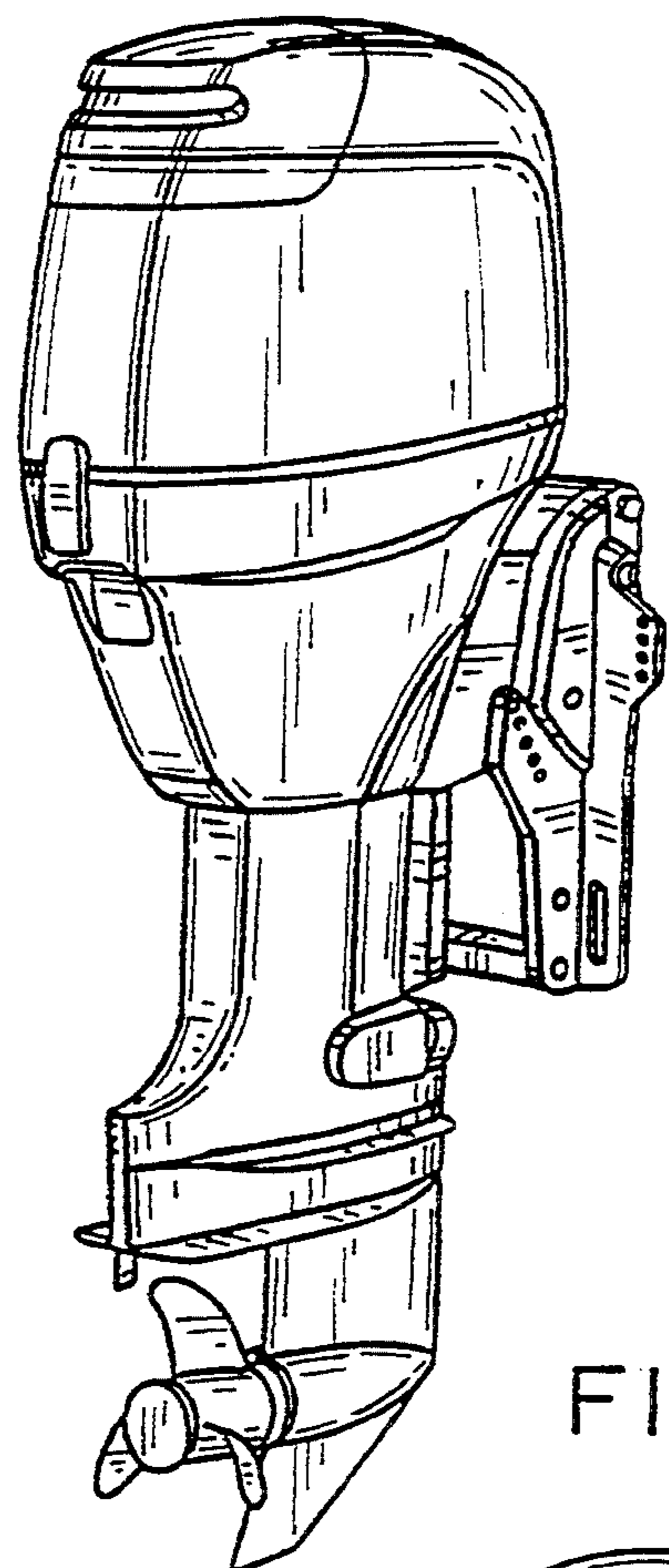


FIG. 36

FIG. 37

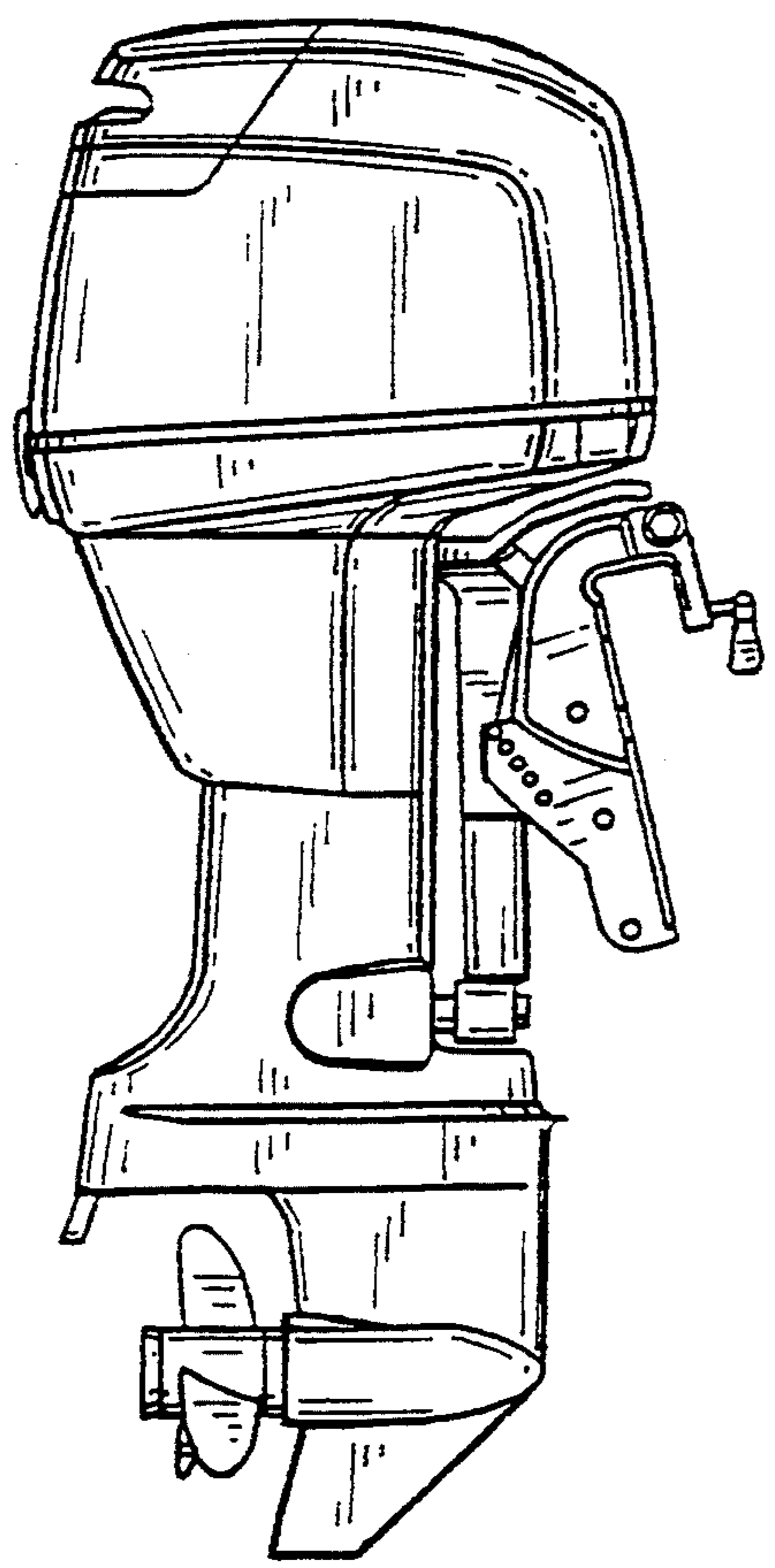


FIG. 38

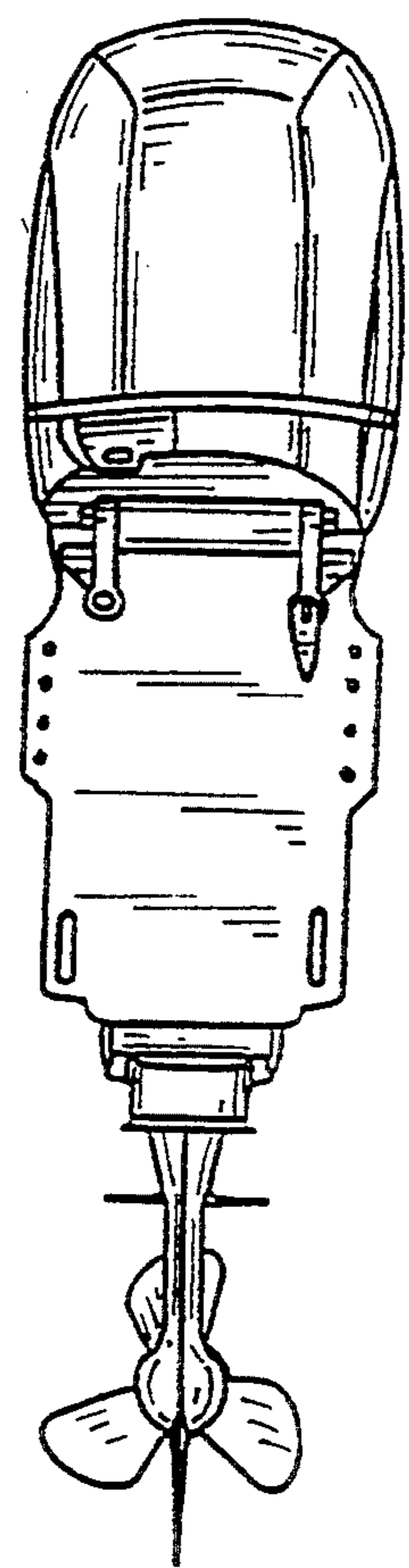


FIG. 39

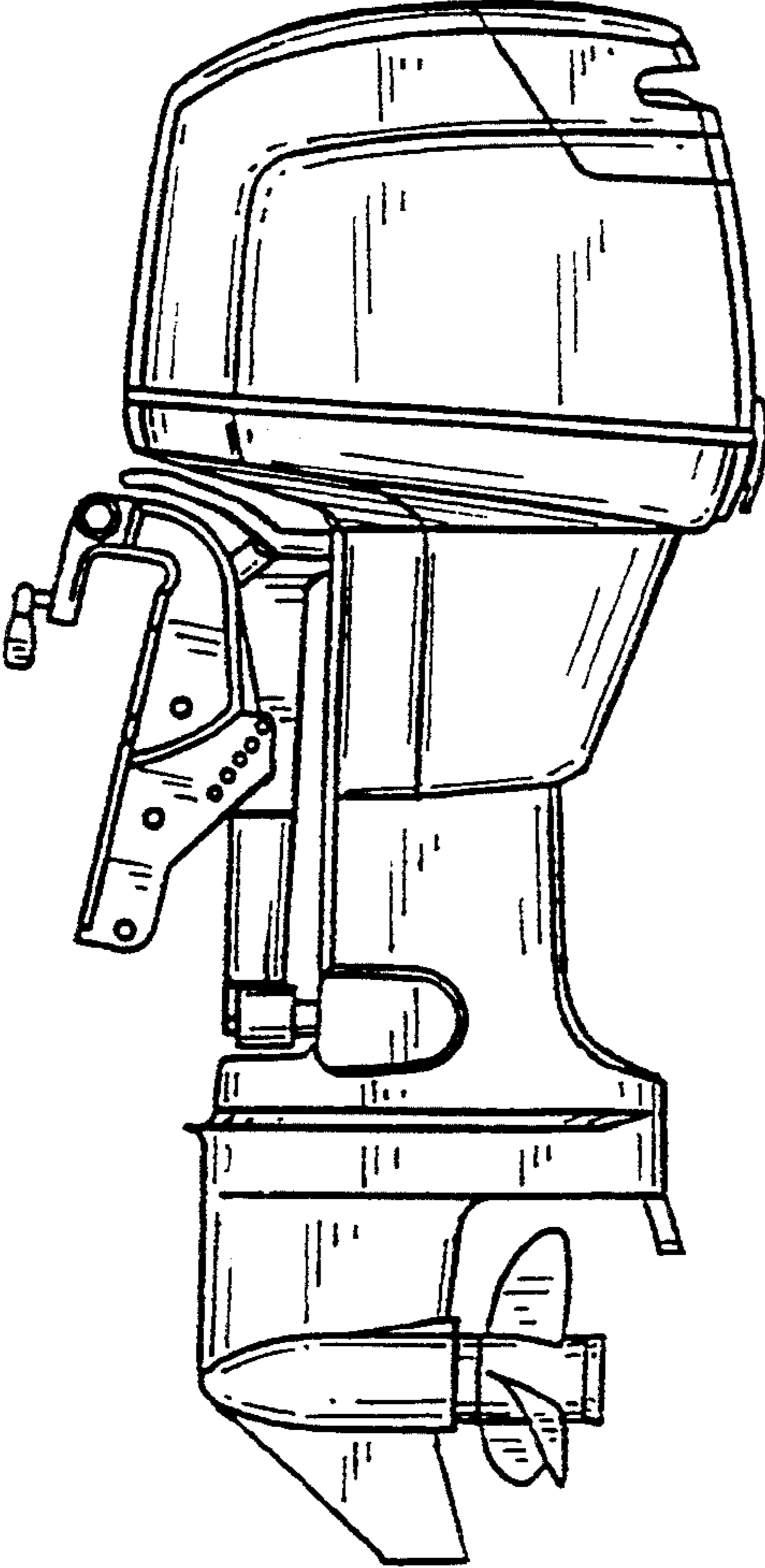


FIG. 40

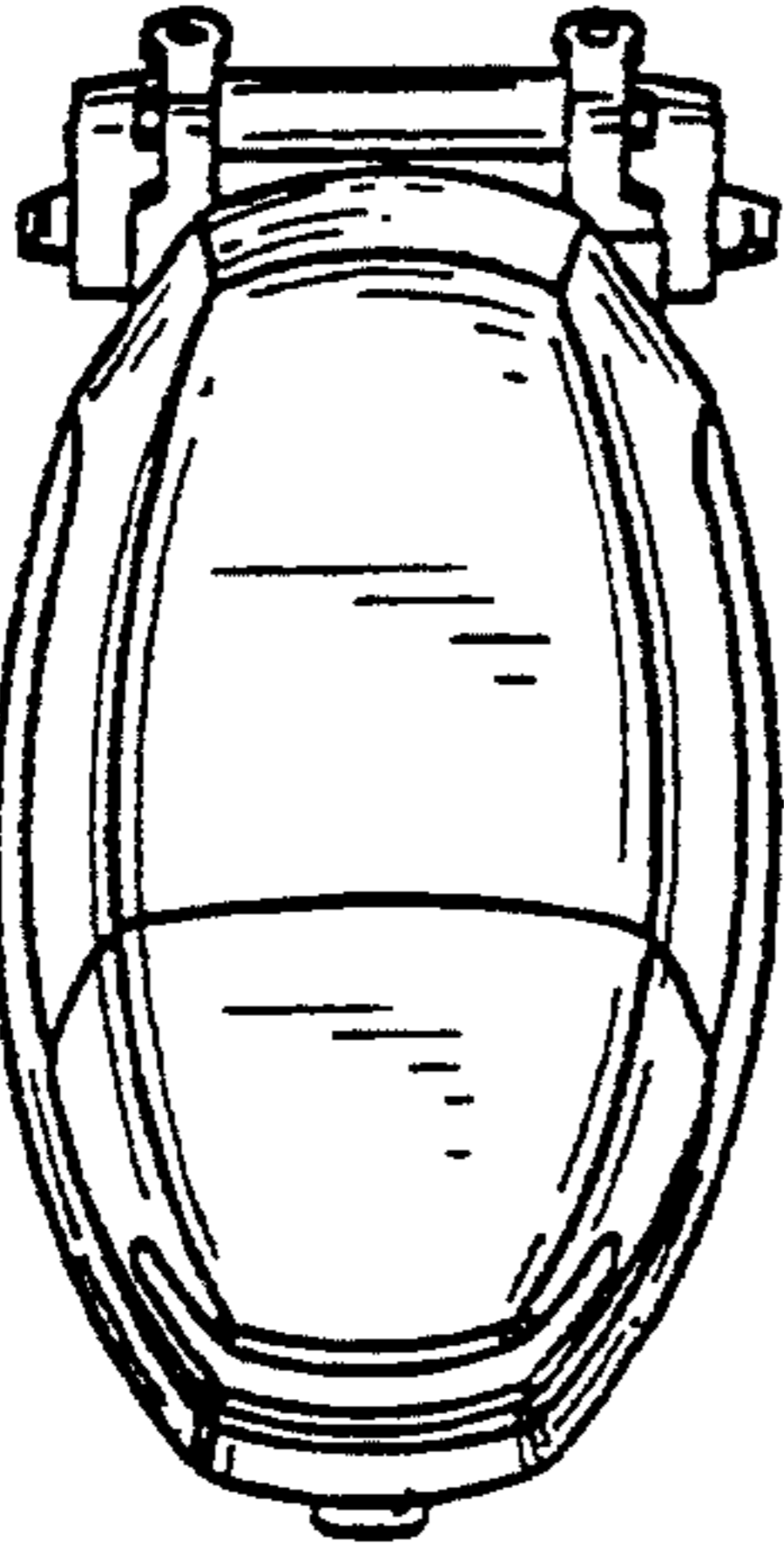
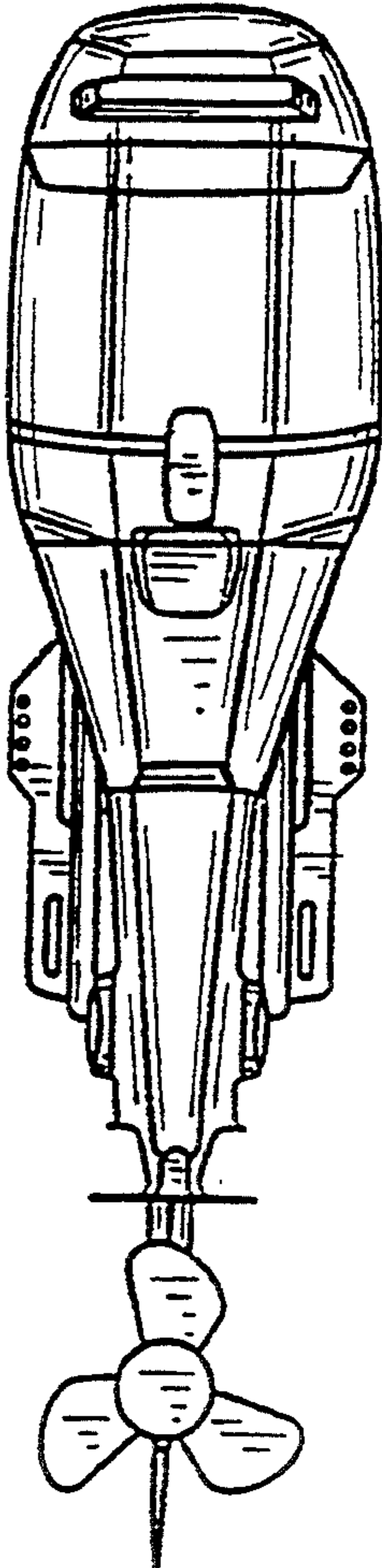


FIG. 41

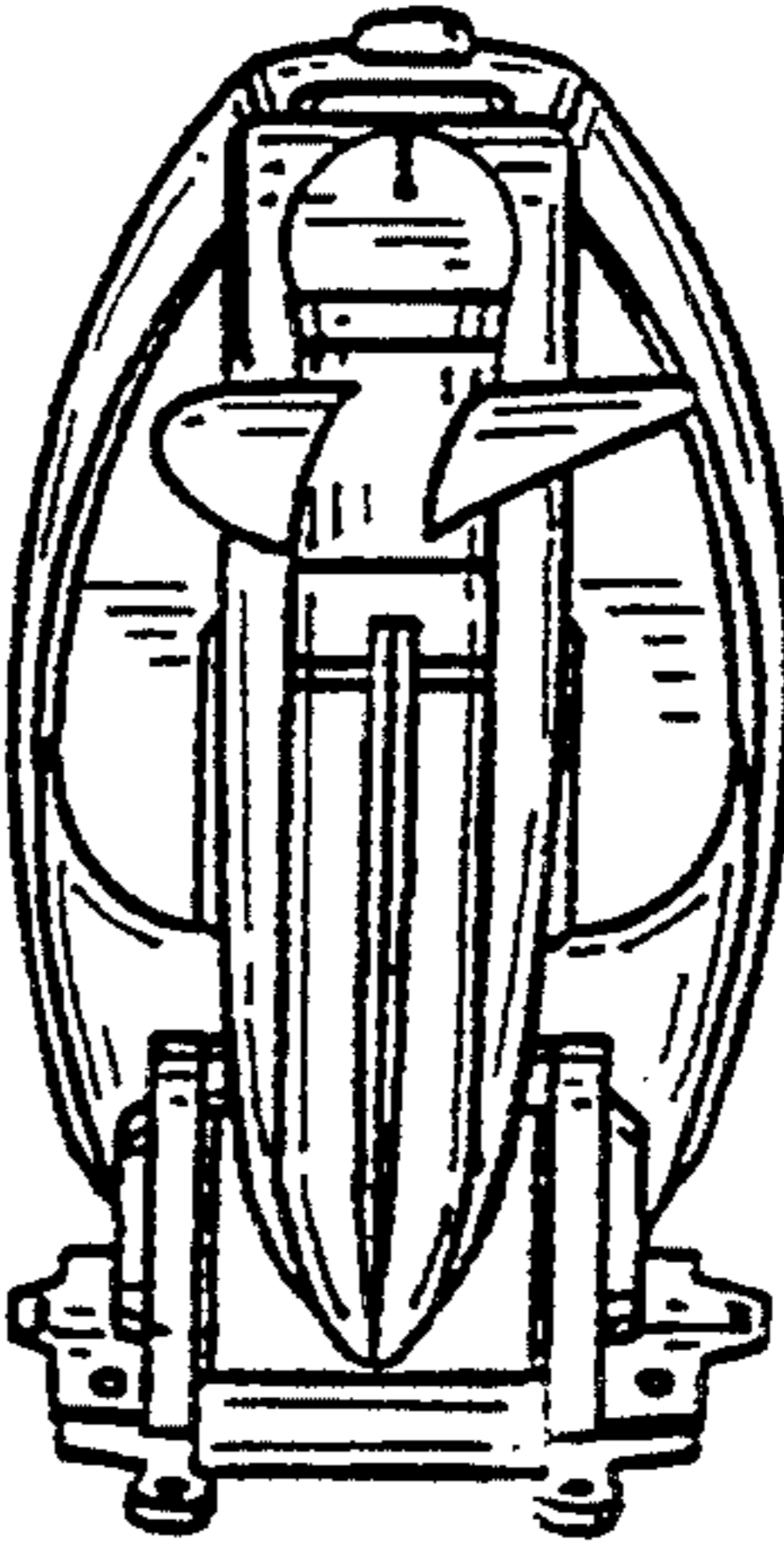


FIG. 42

UNITED STATES PATENT AND TRADEMARK OFFICE
CERTIFICATE OF CORRECTION

PATENT NO. : Des. 359,290
DATED : June 13, 1995
INVENTOR(S) : Kiminori Takeuchi

It is certified that error appears in the above-identified patent and that said Letters Patent is hereby corrected as shown below:

On the title page, at item [73], the assignee should be amended to read as follows: --Sanshin Kogyo Kabushiki Kaisha--.

Signed and Sealed this
Eleventh Day of June, 1996



BRUCE LEHMAN

Commissioner of Patents and Trademarks

Attest:

Attesting Officer