



US00D359286S

United States Patent [19]

[11] Patent Number: Des. 359,286

Fujino

[45] Date of Patent: ** Jun. 13, 1995

[54] SPEAKER

[75] Inventor: Yoshio Fujino, Kobe, Japan

[73] Assignee: DX Antenna Company, Limited, Kobe, Japan

[**] Term: 14 Years

[21] Appl. No.: 17,947

[22] Filed: Jan. 26, 1994

[52] U.S. Cl. D14/212; D14/214

[58] Field of Search D14/204, 207, 209-214, D14/217, 219; 181/144-145, 147-148, 150, 157, 198-199; 381/24, 88, 90, 159, 186, 188

[56] **References Cited**

U.S. PATENT DOCUMENTS

D. 347,224	5/1994	Faas	D14/212 X
2,973,824	3/1961	Pinski	181/144
3,326,321	6/1967	Valuch	181/144
4,503,930	3/1985	McDowell	181/147 X
4,870,691	9/1989	Mindel	381/188 X

OTHER PUBLICATIONS

High Fidelity, Jun. 22, 1987, p. 86, Speaker, model No. sound field 50.

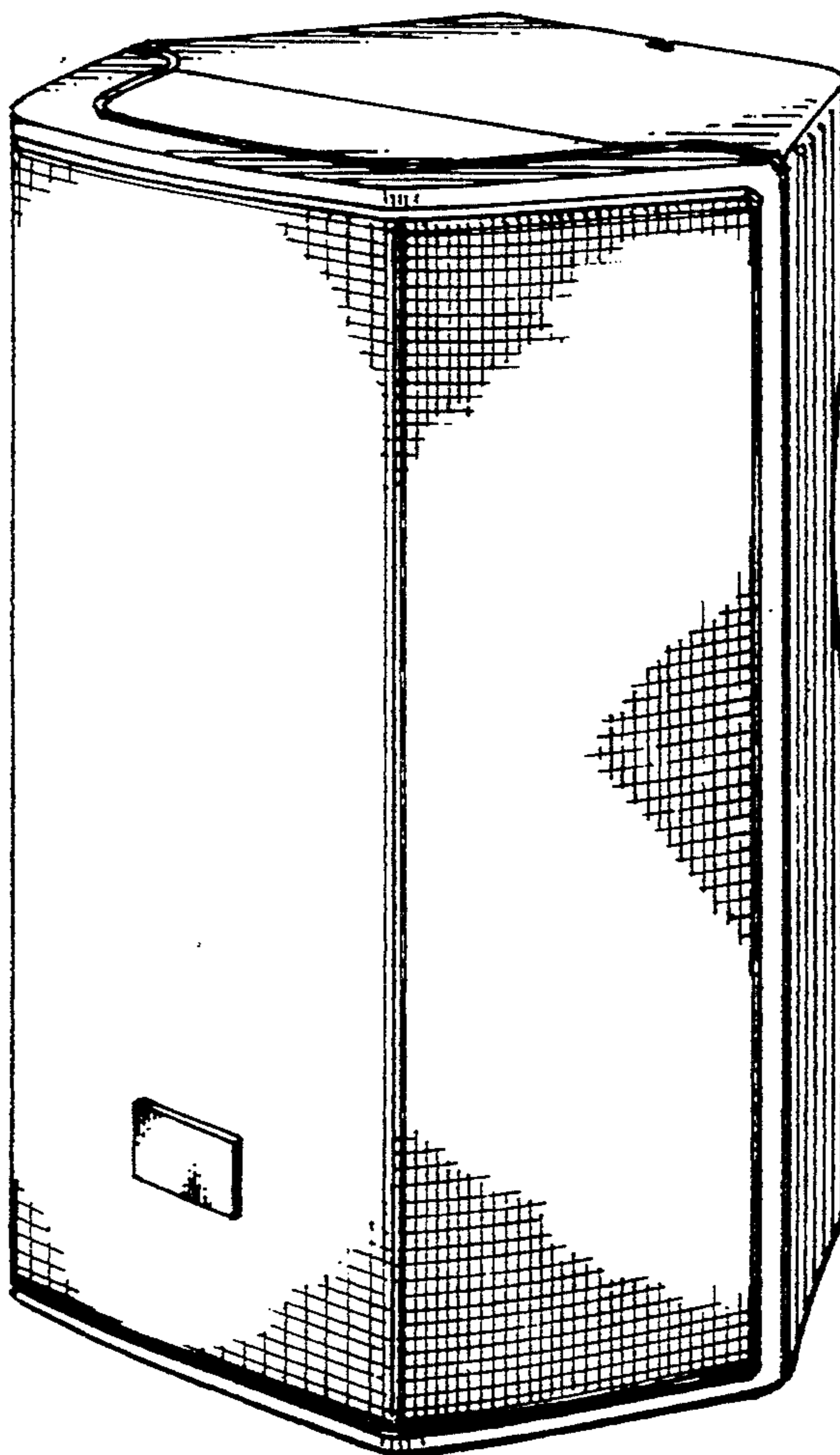
Primary Examiner—Terry A. Wallace
Assistant Examiner—Nanda Bondade
Attorney, Agent, or Firm—Banner, Birch, McKie & Beckett

[57] **CLAIM**

The ornamental design for a speaker, as shown and described.

DESCRIPTION

FIG. 1 is a front elevational view of a speaker embodying my new design;
FIG. 2 is a rear elevational view thereof;
FIG. 3 is a left side elevational view thereof;
FIG. 4 is a right side elevational view thereof;
FIG. 5 is a top plan view thereof;
FIG. 6 is a bottom view thereof; and,
FIG. 7 is a perspective view thereof showing the front, right side, and top.



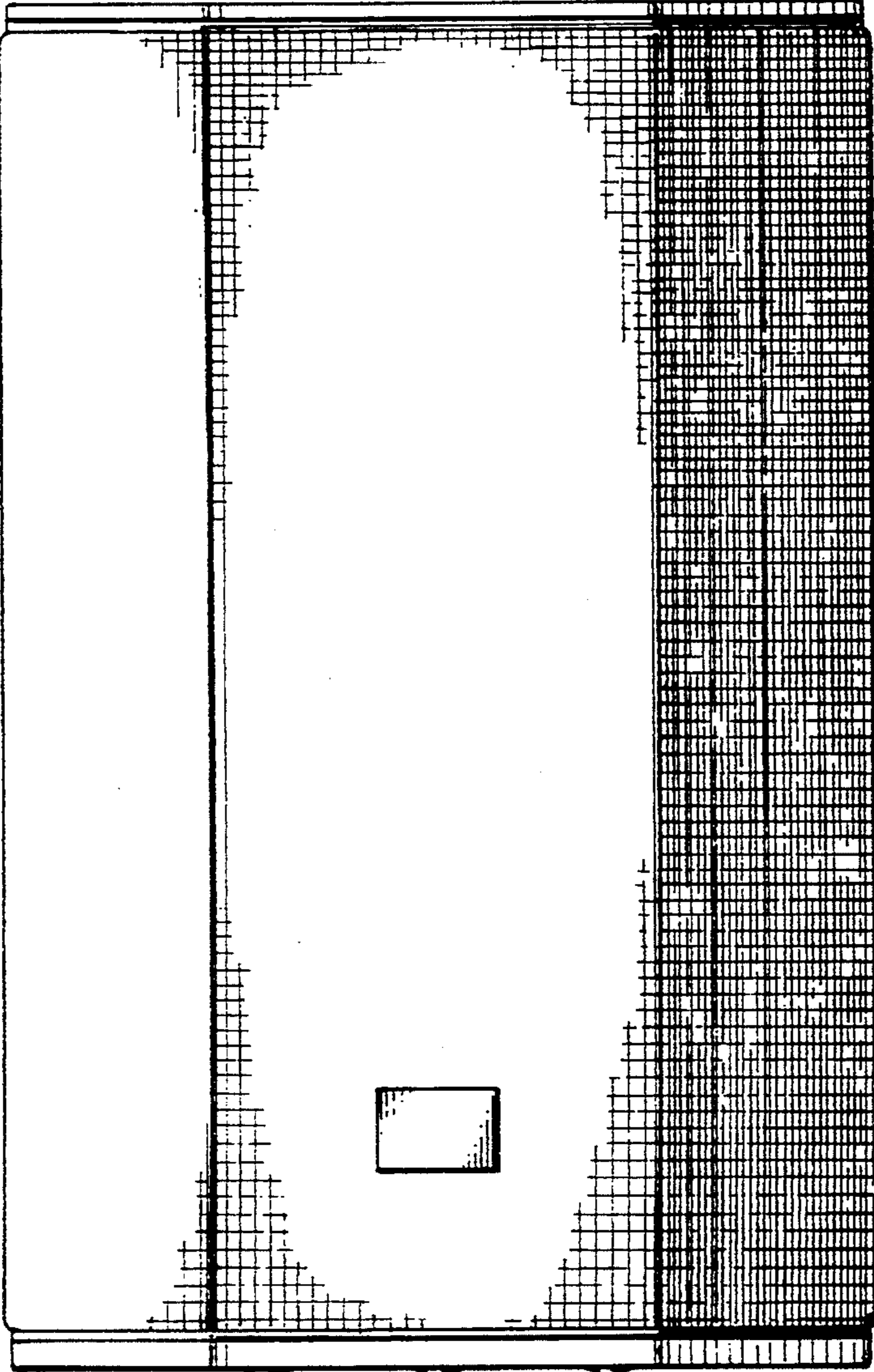


FIG. 1

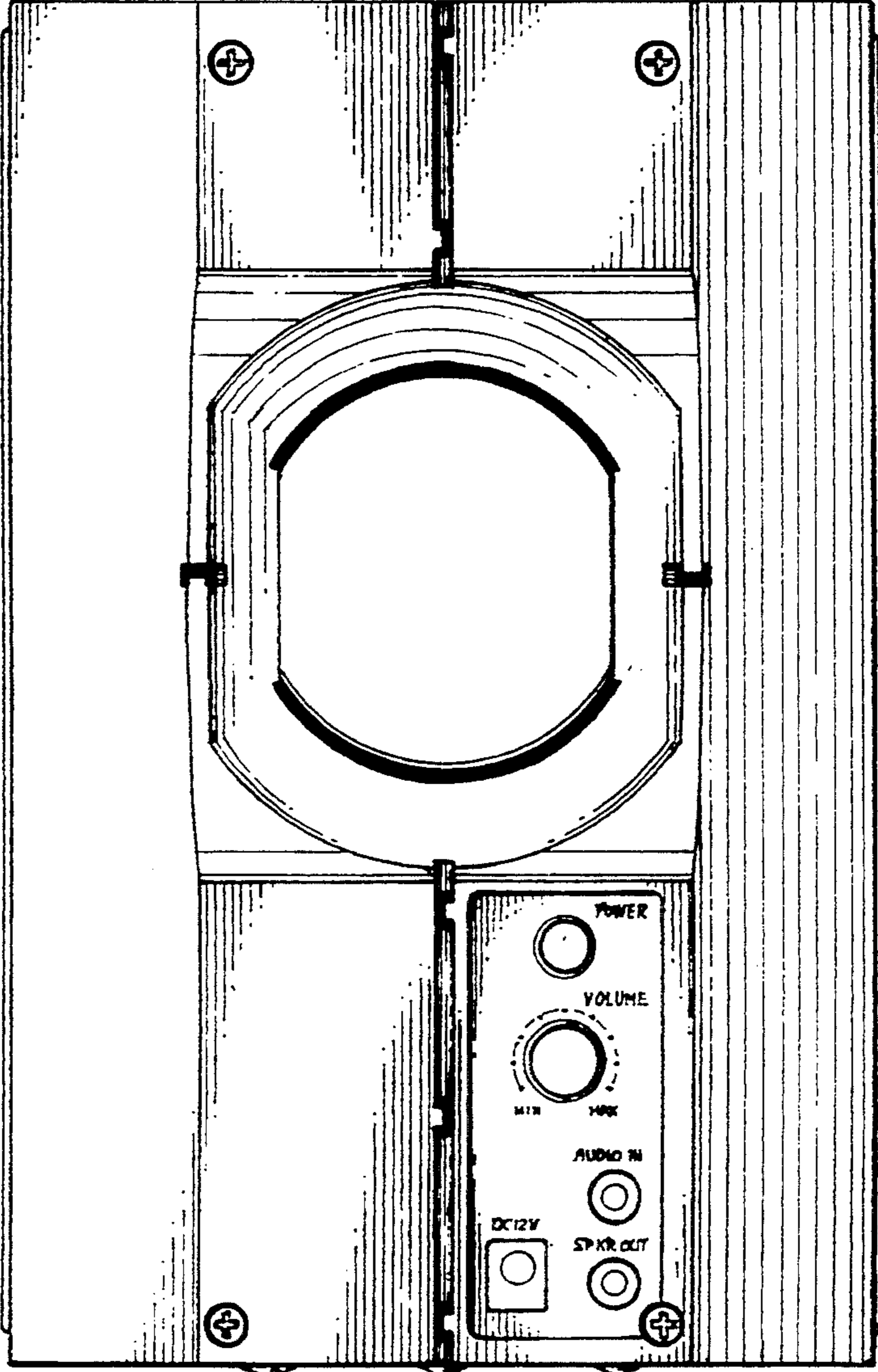


FIG. 2

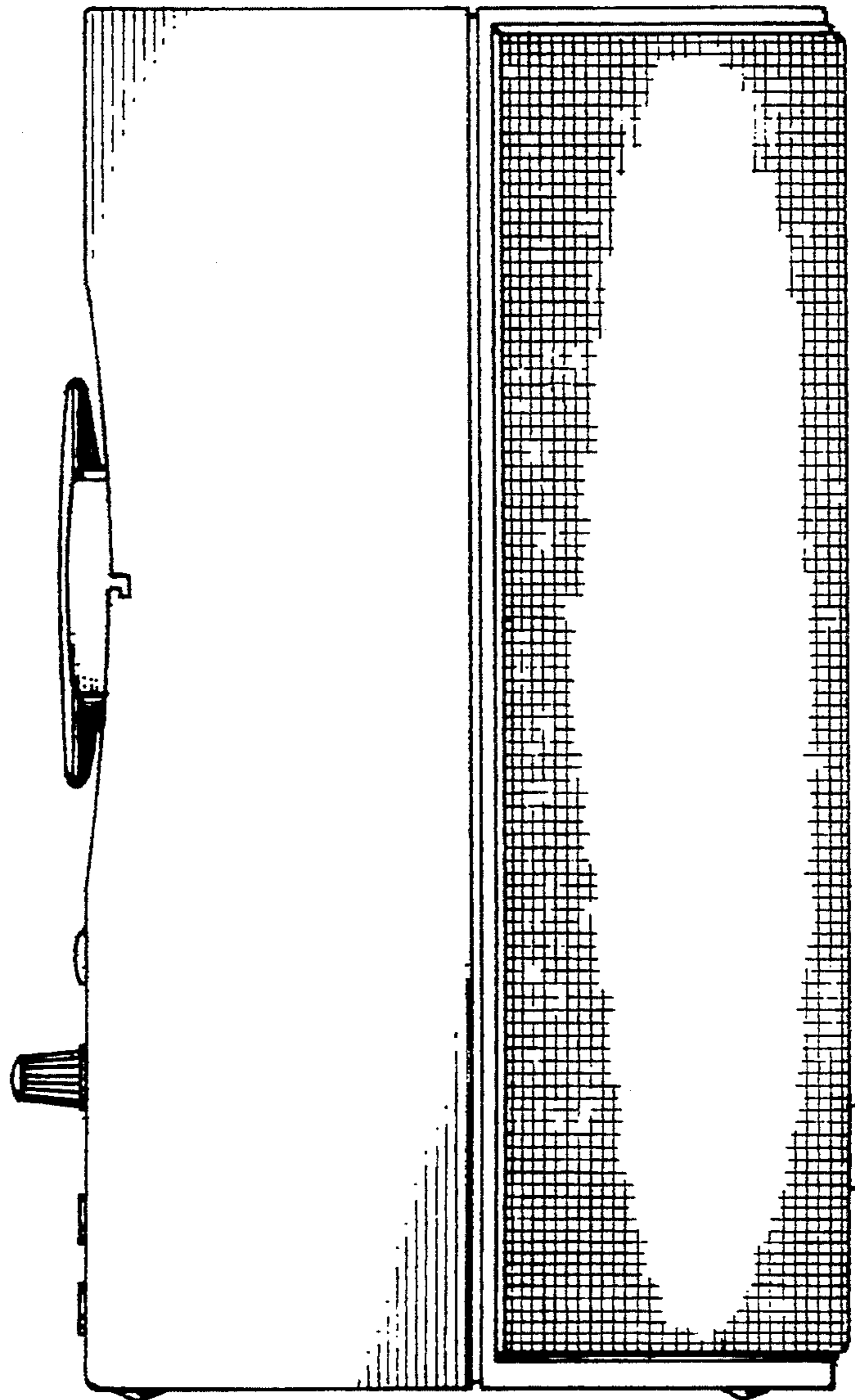


FIG. 3

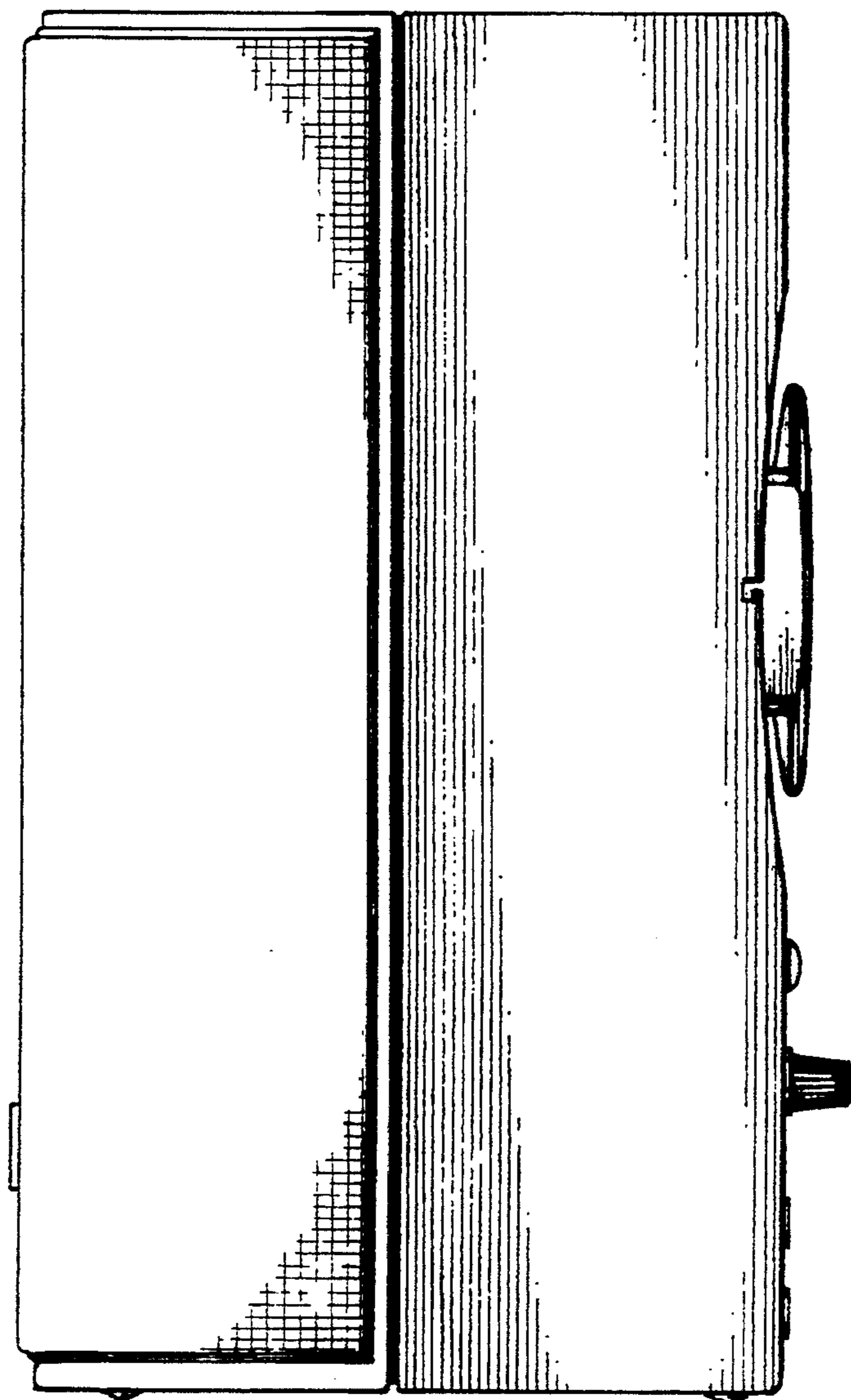


FIG. 4

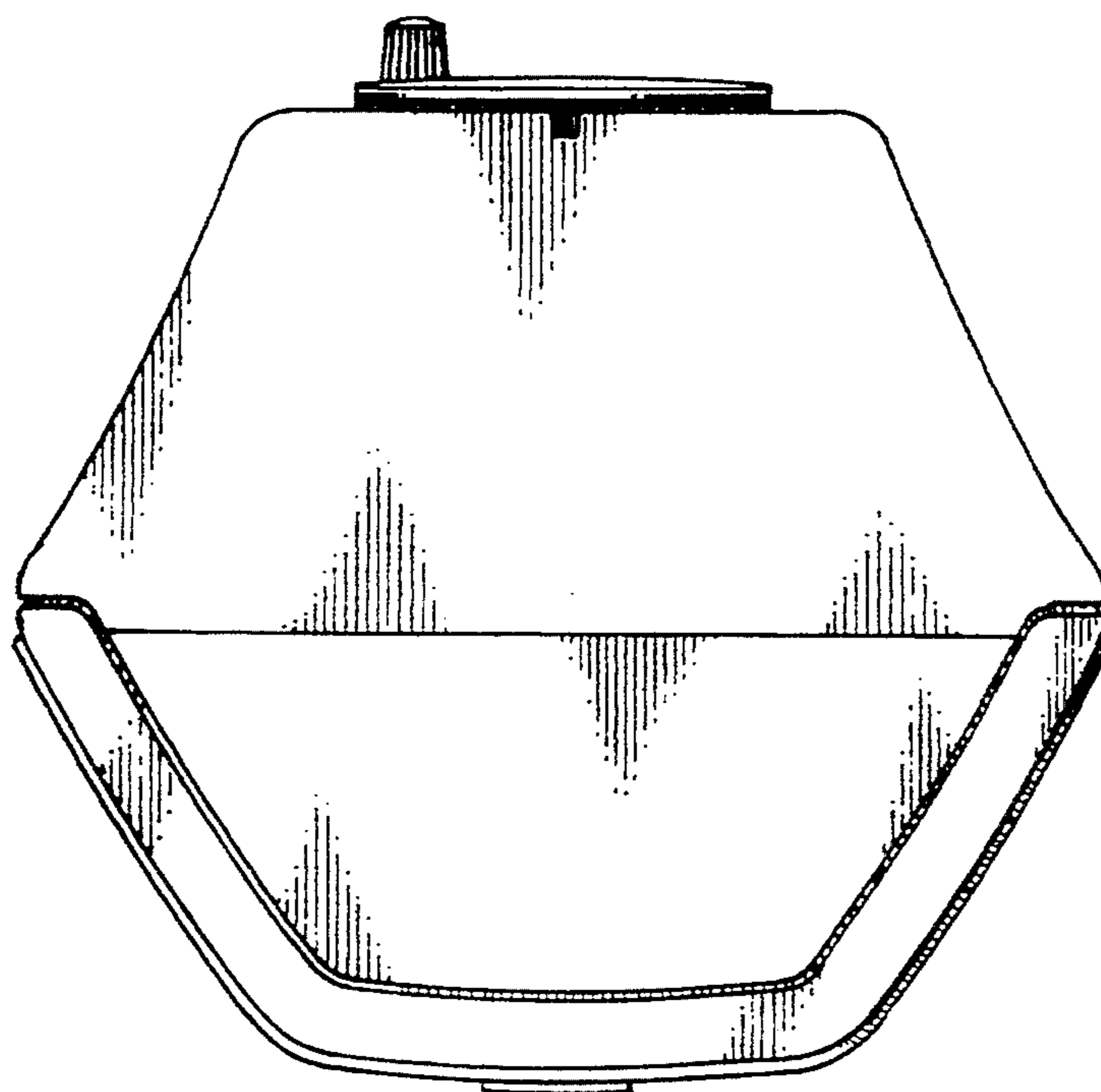


FIG. 5

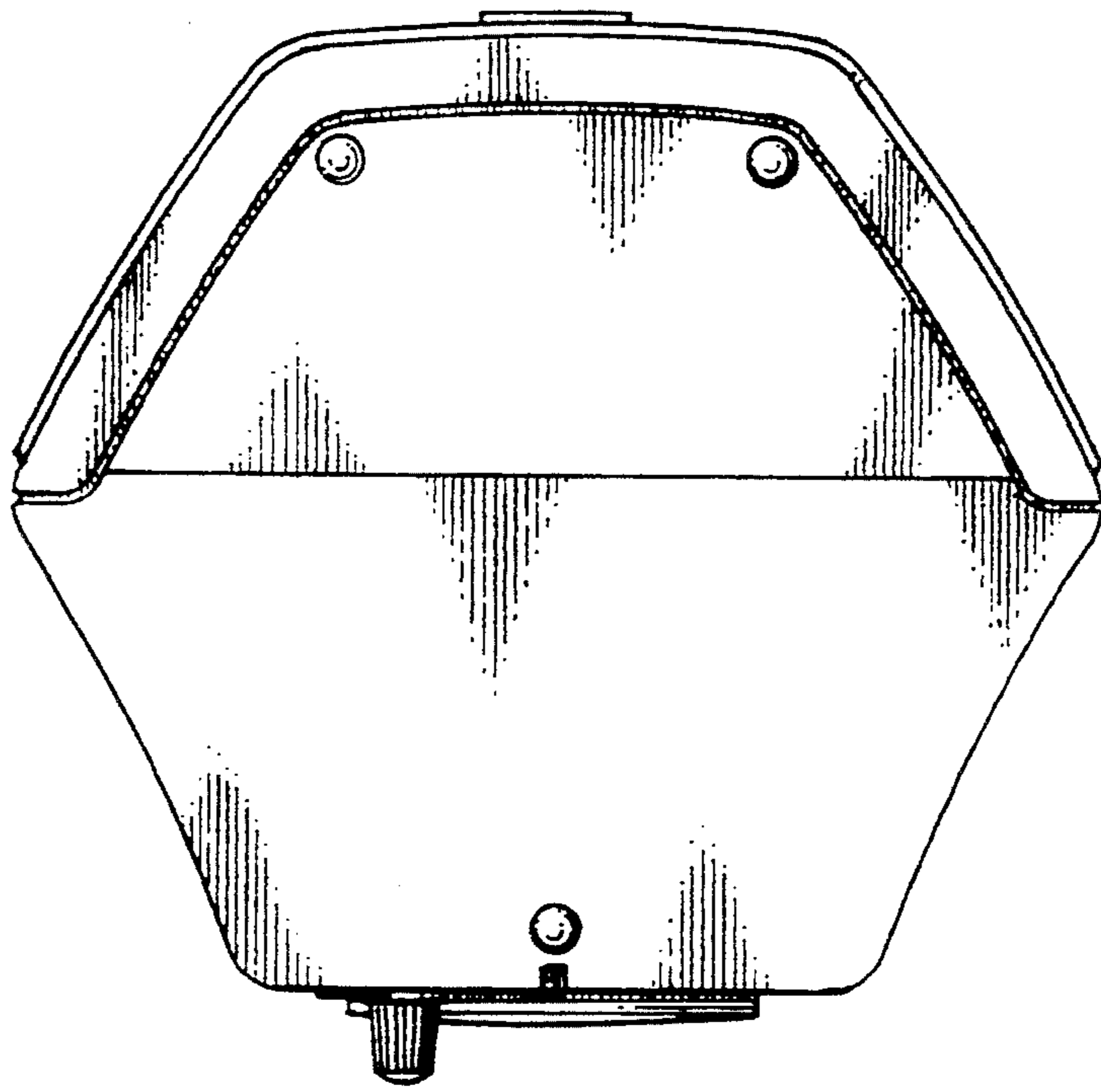


FIG. 6

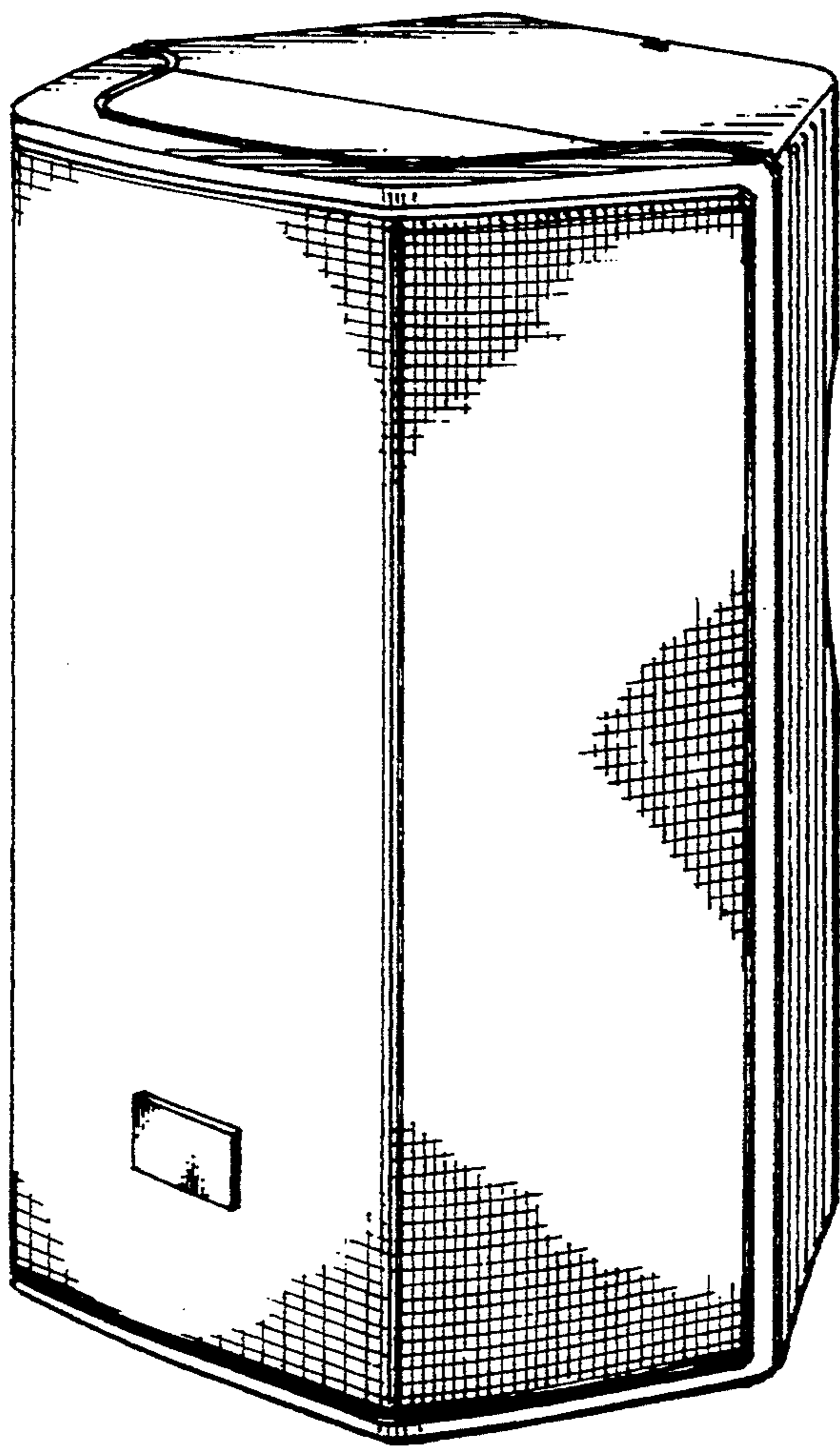


FIG. 7