



US00D359282S

United States Patent [19]

[11] Patent Number: **Des. 359,282**

Grasso et al.

[45] Date of Patent: **** Jun. 13, 1995**

[54] WALKIE-TALKIE

[56]

References Cited

U.S. PATENT DOCUMENTS

[75] Inventors: **Mark Grasso**, 20748 Pacific Coast Hwy., Malibu, Calif. 90265; **John Hamagami**, Los Angeles; **Justin Carroll**, Venice, both of Calif.

D. 346,756	5/1994	Grasso	D14/159 X
D. 348,663	7/1994	Grasso	D14/137
D. 348,879	7/1994	Shuler	D14/137
4,257,121	3/1981	Henderson et al.	D14/137 X

Primary Examiner—Terry A. Wallace
Attorney, Agent, or Firm—Hawes & Fischer

[73] Assignee: **Mark Grasso**, Malibu, Calif.

[57]

CLAIM

The ornamental design for a walkie-talkie, as shown and described.

[**] Term: **14 Years**

DESCRIPTION

[21] Appl. No.: **16,958**

FIG. 1 is a front perspective view of a walkie-talkie showing our new design;

FIG. 2 is a front elevation view thereof;

FIG. 3 is a left side elevation view thereof;

FIG. 4 is a right side elevation view thereof;

FIG. 5 is a rear elevation view thereof;

FIG. 6 is a top plan view thereof; and,

FIG. 7 is a bottom plan view thereof.

[22] Filed: **Dec. 30, 1993**

[52] U.S. Cl. **D14/137**

[58] Field of Search D14/124, 137, 143, 159, D14/299; D21/111, 113; D10/104, 106, 121, 189, 191, 218, 257, 299; 455/73, 89, 90, 128

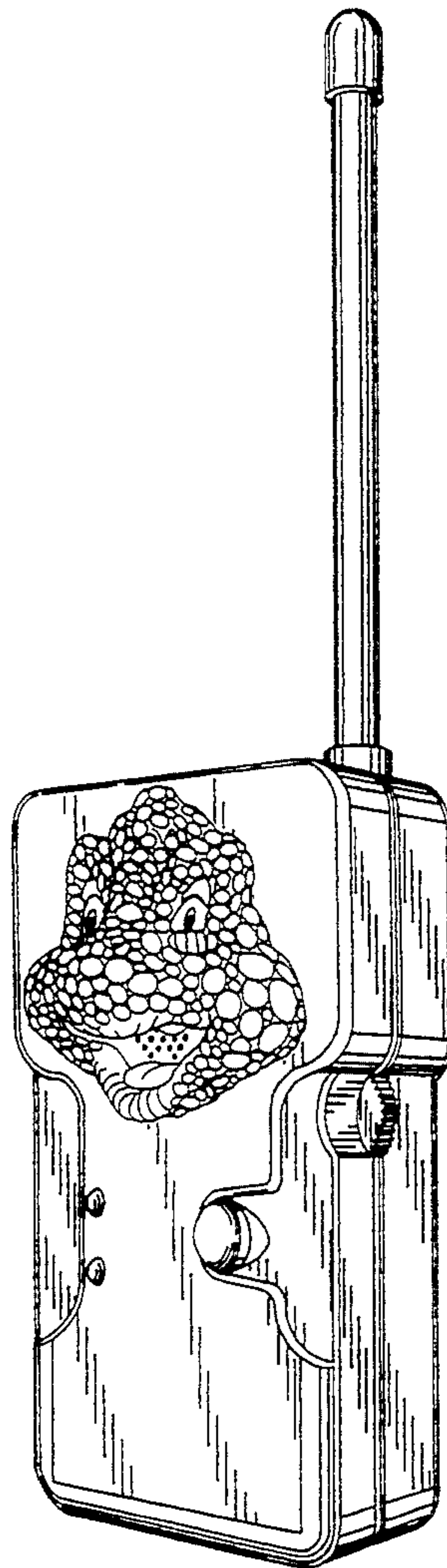


FIG. 1

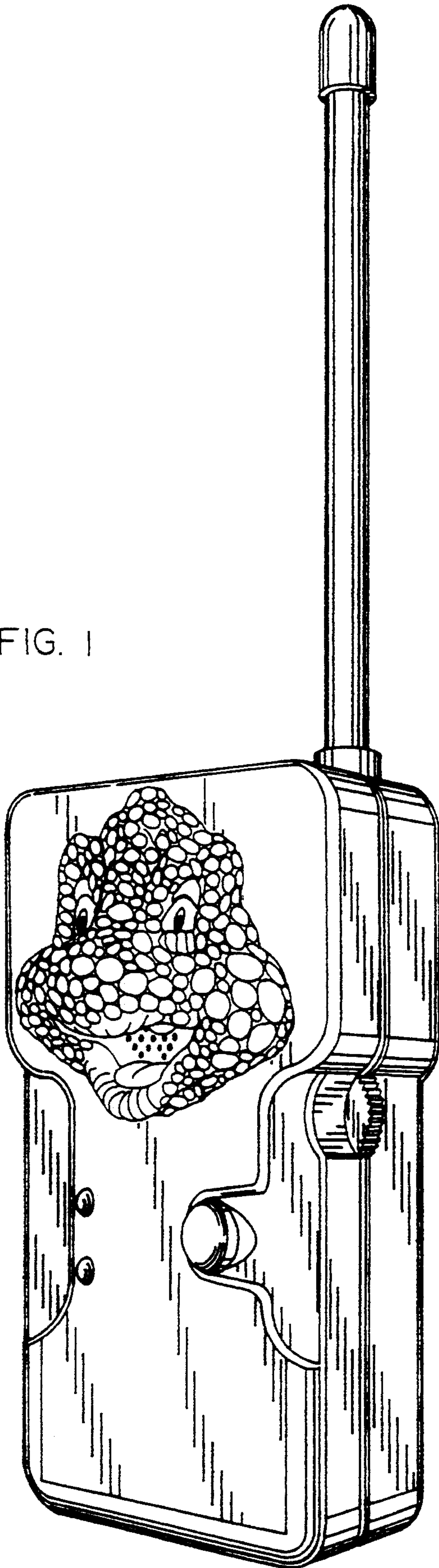
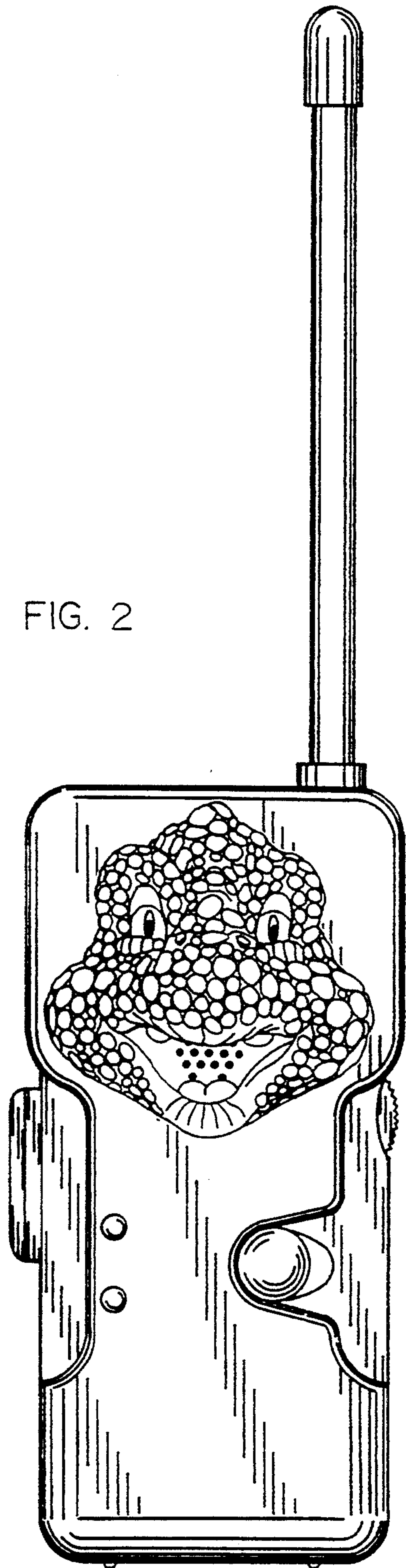


FIG. 2



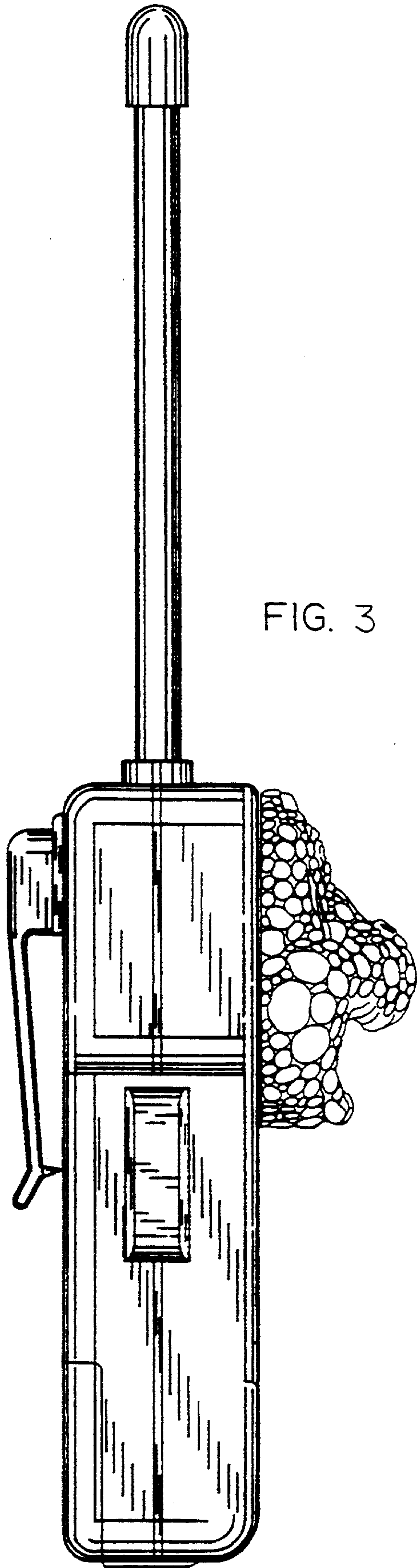


FIG. 3

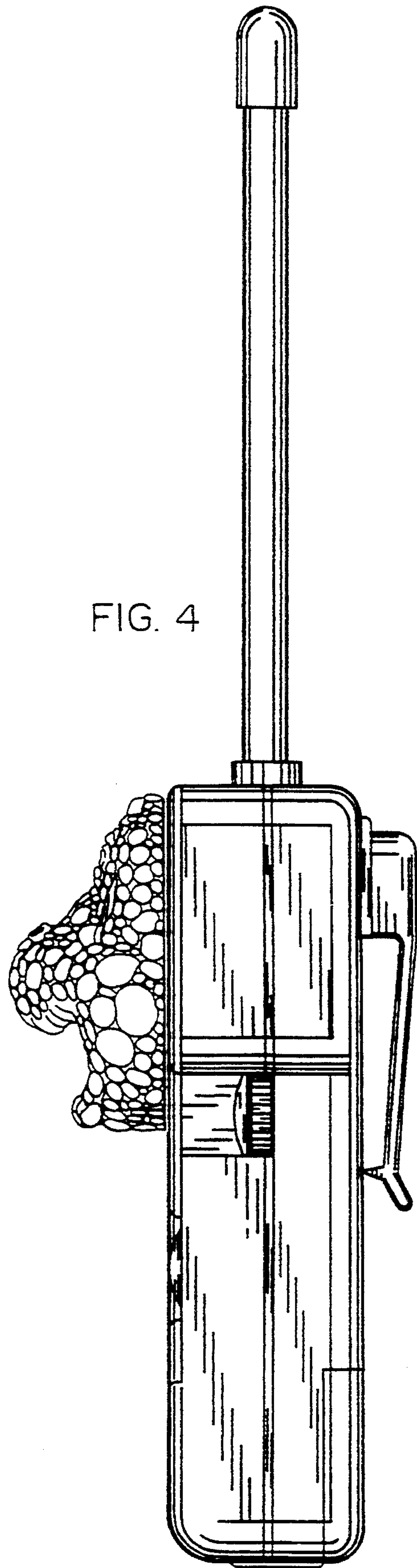


FIG. 4

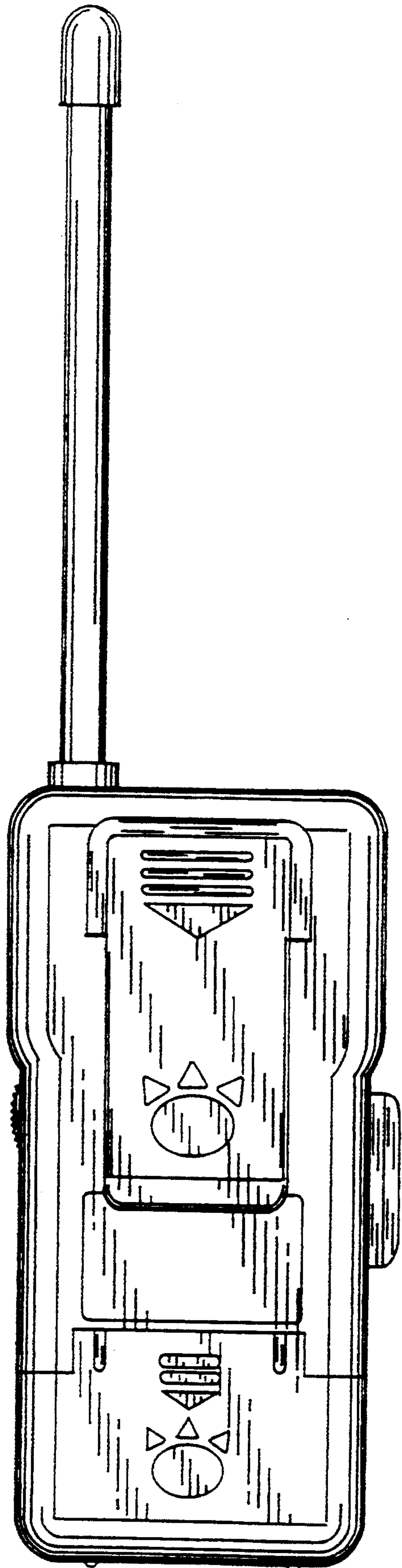


FIG. 5

FIG. 6

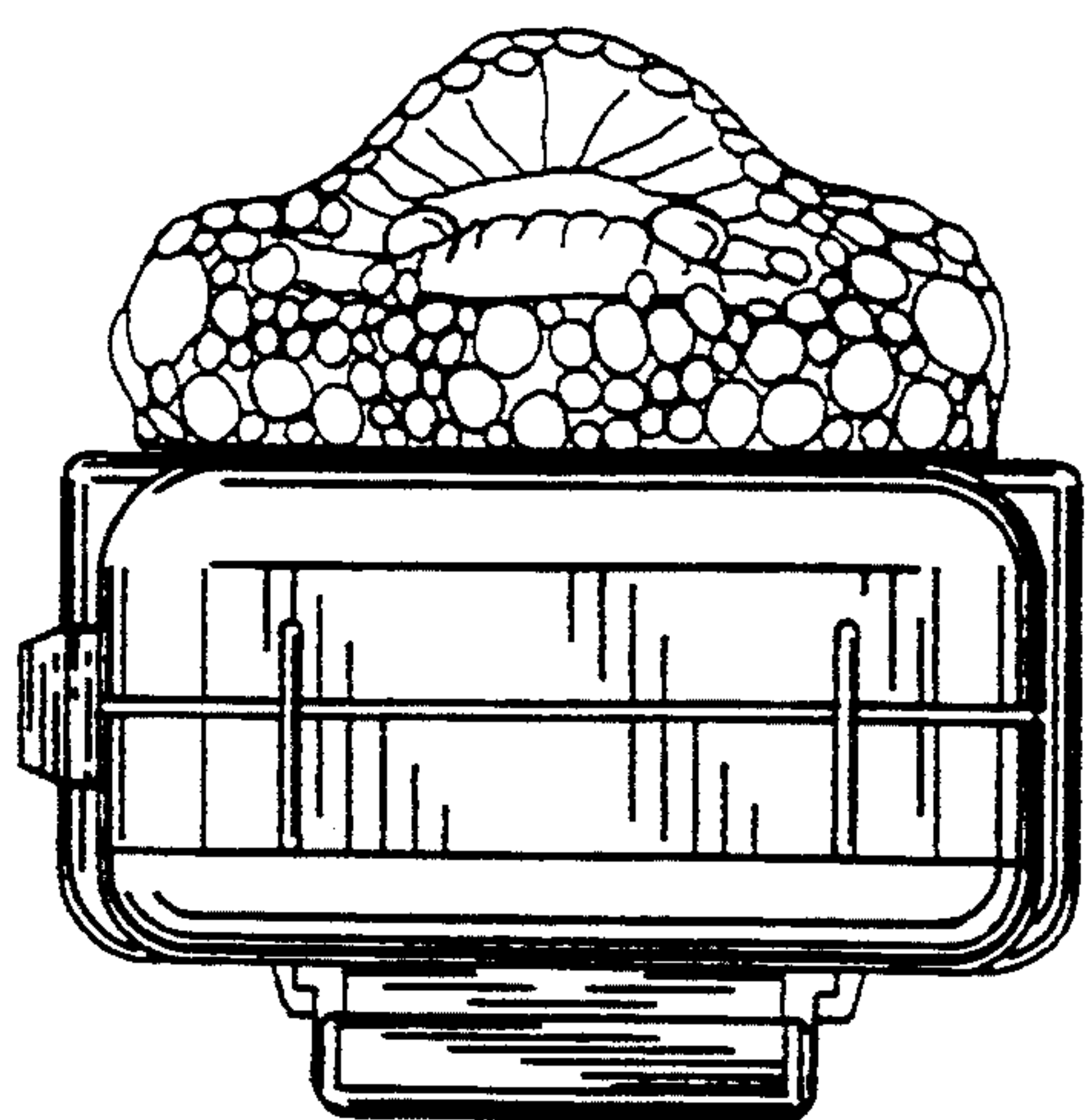
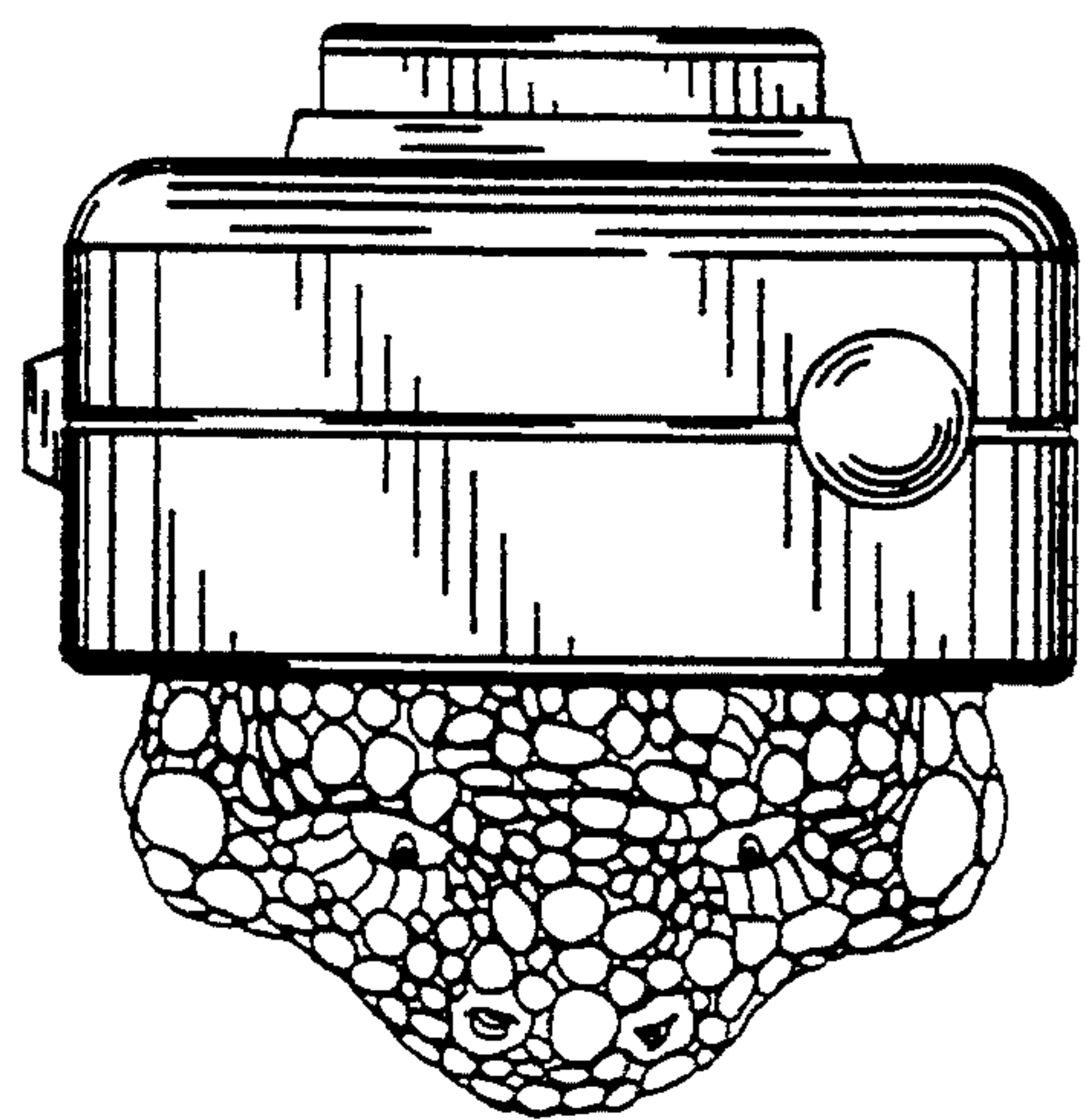


FIG. 7