



US00D359276S

United States Patent [19]

[11] Patent Number: **Des. 359,276**

Kurihara et al.

[45] Date of Patent: **** Jun. 13, 1995**

[54] FLEXIBLE DISC DRIVE

[56] References Cited

[75] Inventors: **Hitoshi Kurihara**, Saitama; **Toru Okada**, Kumagaya; **Kanemitsu Takeshima**, Saitama, all of Japan

U.S. PATENT DOCUMENTS

D. 340,448 10/1933 Inoue et al. D14/109
D. 345,553 3/1994 Andou et al. D14/109

[73] Assignee: **Canon Kabushiki Kaisha**, Tokyo, Japan

Primary Examiner—Freda S. Nunn
Attorney, Agent, or Firm—Fitzpatrick, Cella, Harper & Scinto

[**] Term: **14 Years**

[57] CLAIM

The ornamental design for a flexible disc drive, as shown and described.

[21] Appl. No.: **7,071**

DESCRIPTION

[22] Filed: **Apr. 15, 1993**

FIG. 1 is a top plan view of a flexible disc drive showing our new design;

[30] Foreign Application Priority Data

Oct. 30, 1992 [JP] Japan 4-32000

[52] U.S. Cl. **D14/109**

FIG. 2 is bottom plan view thereof;

FIG. 3 is a left side elevational view thereof;

FIG. 4 is a right side elevational view thereof;

FIG. 5 is a front elevational view thereof;

FIG. 6 is a rear elevational view thereof;

FIG. 7 is a perspective view thereof; and,

FIG. 8 is a perspective view thereof, showing the interface card folded over the top of the flexible disc drive.

[58] Field of Search D14/100, 102, 108, 109; D13/162, 184, 199; 312/208.1, 223.2, 223.3, 194; 360/97.01, 97.04, 98.01, 99.01, 99.12; 361/600, 622, 724-728

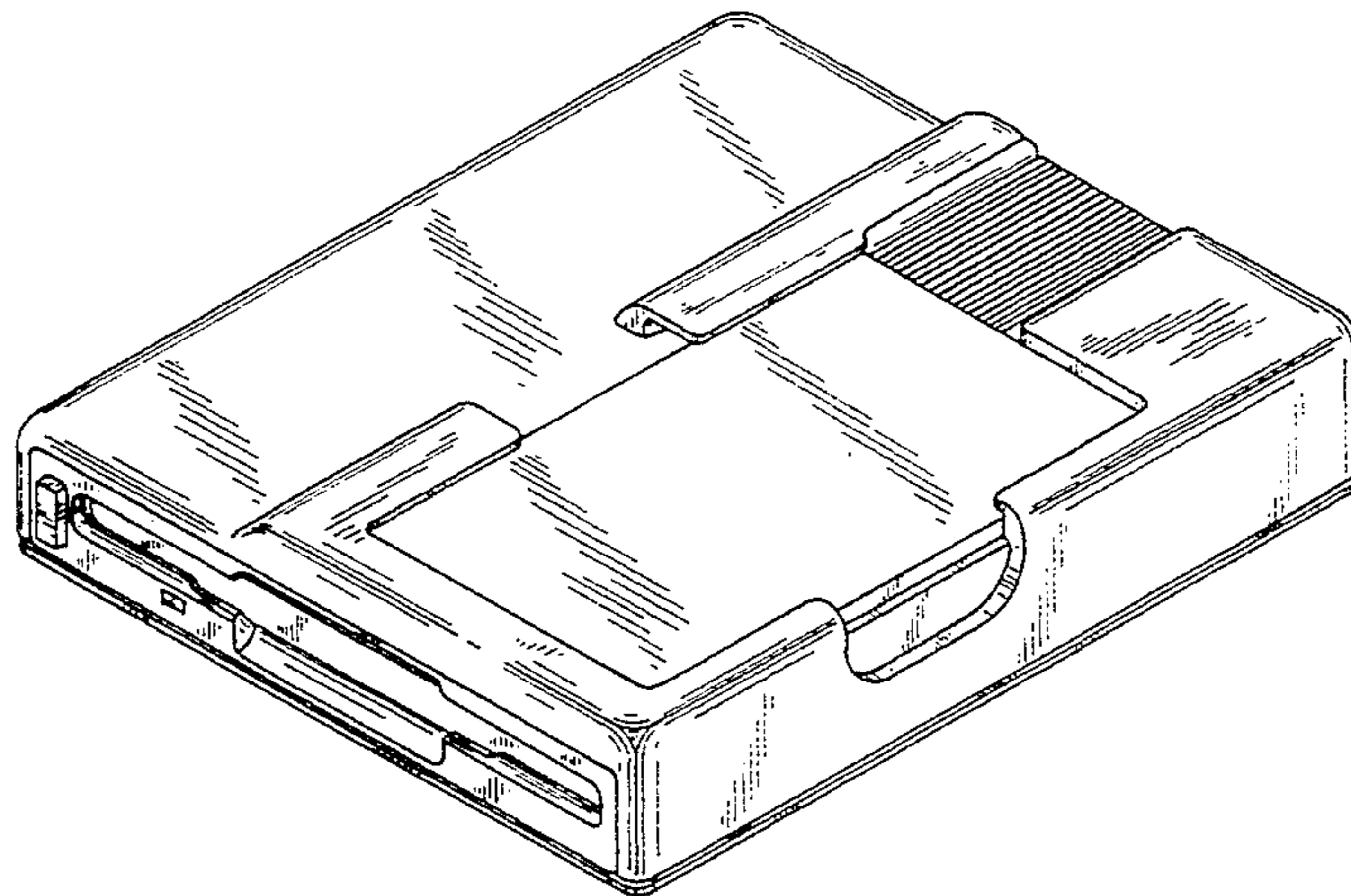
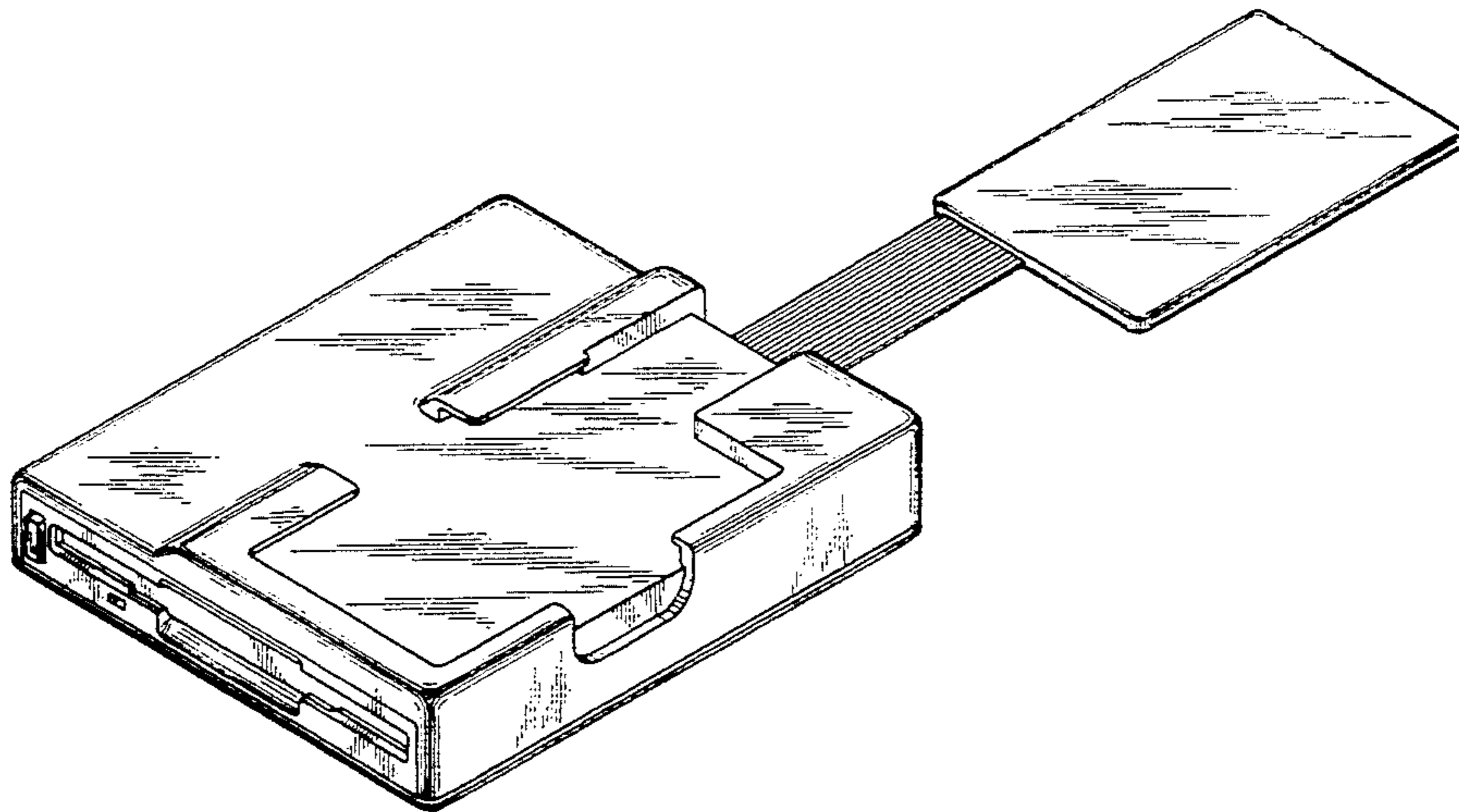


FIG. 1

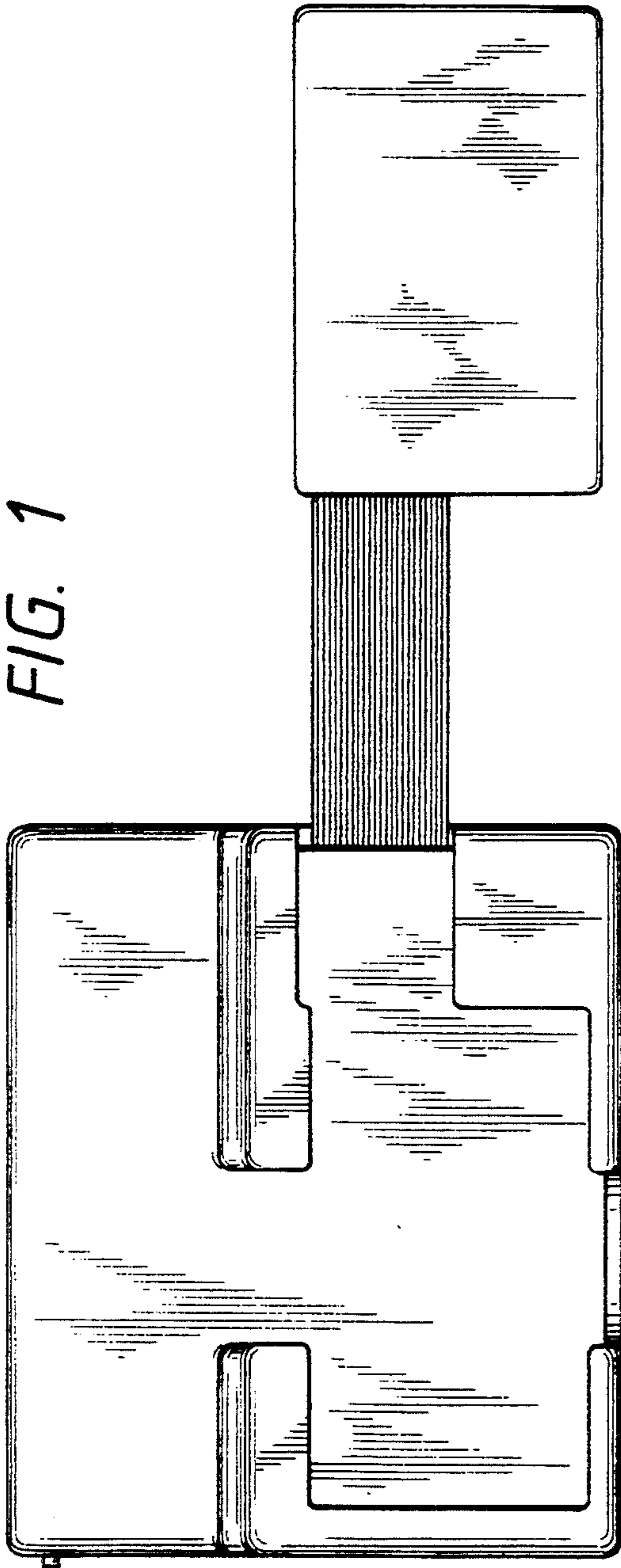


FIG. 2

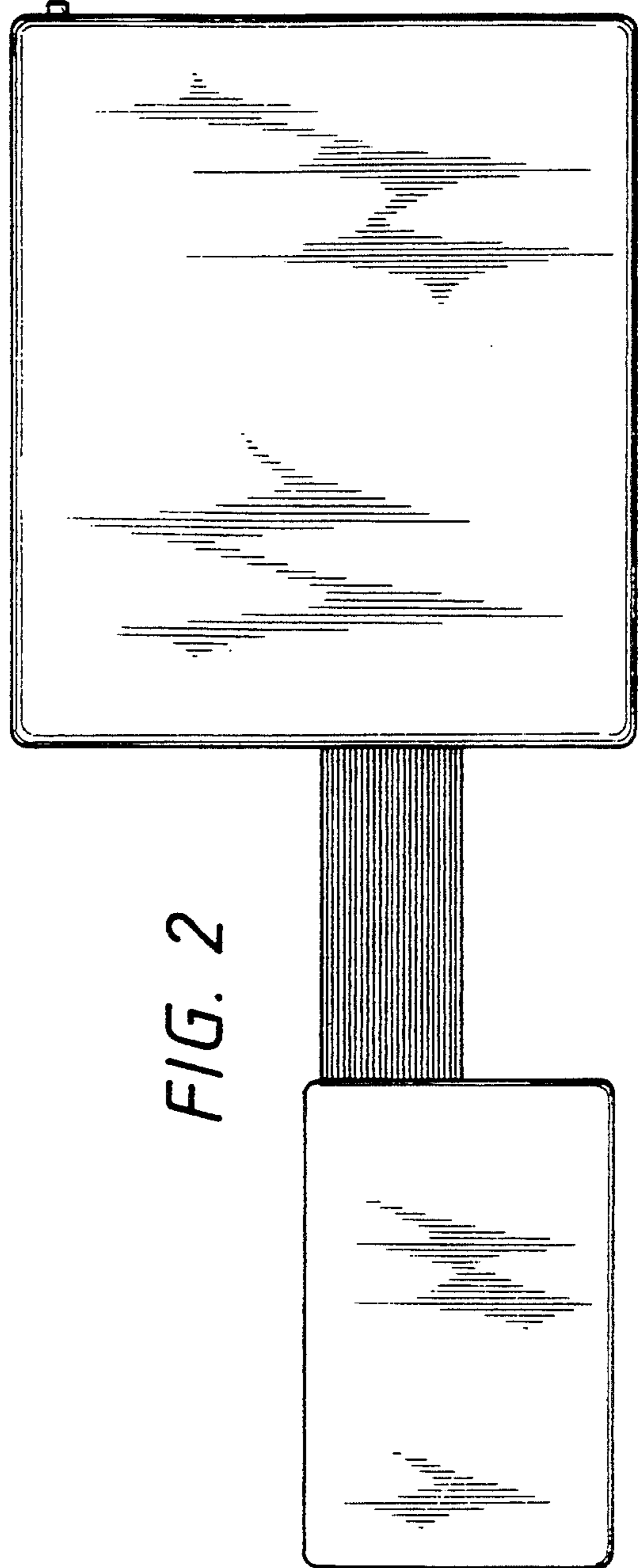


FIG. 3

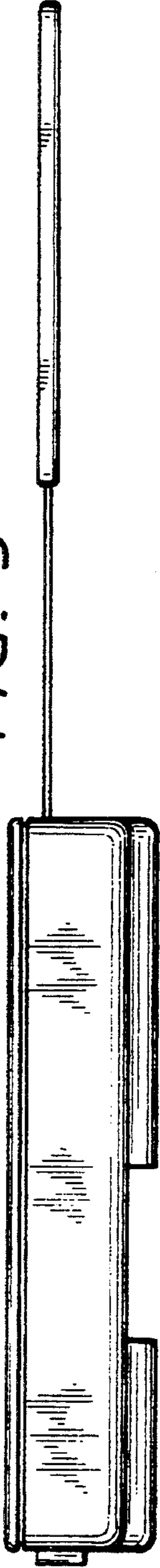


FIG. 4

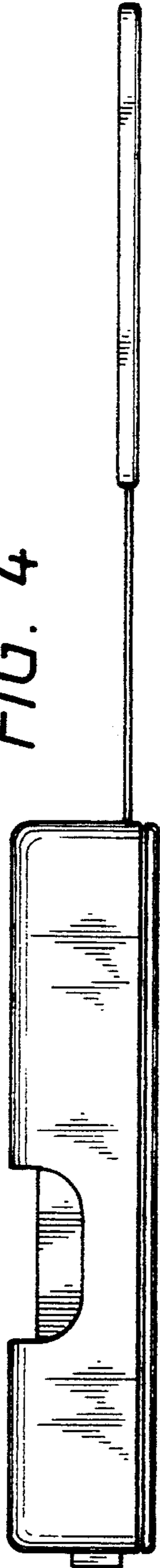


FIG. 5

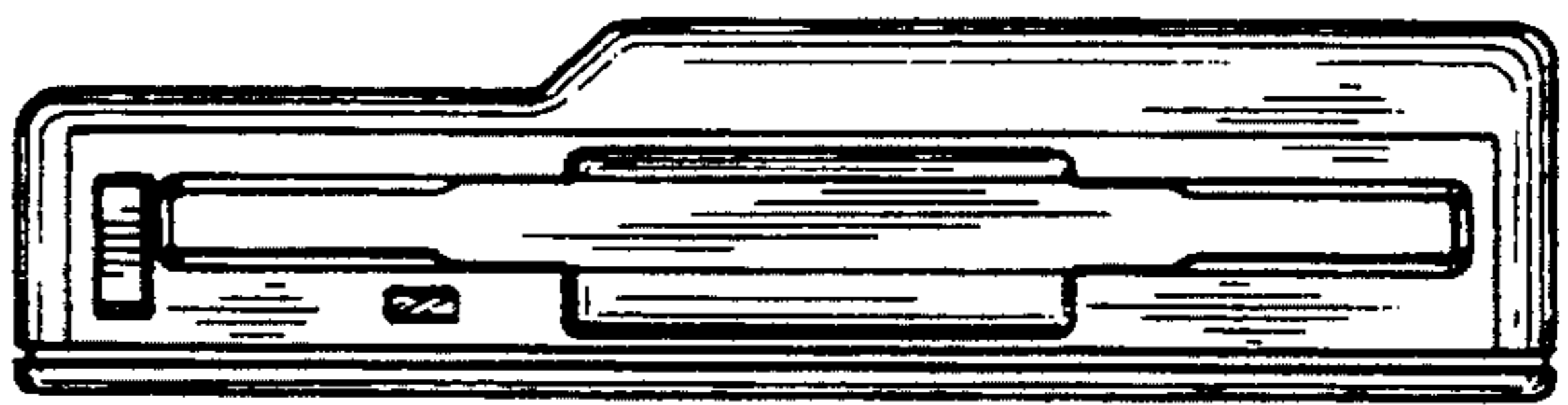


FIG. 6

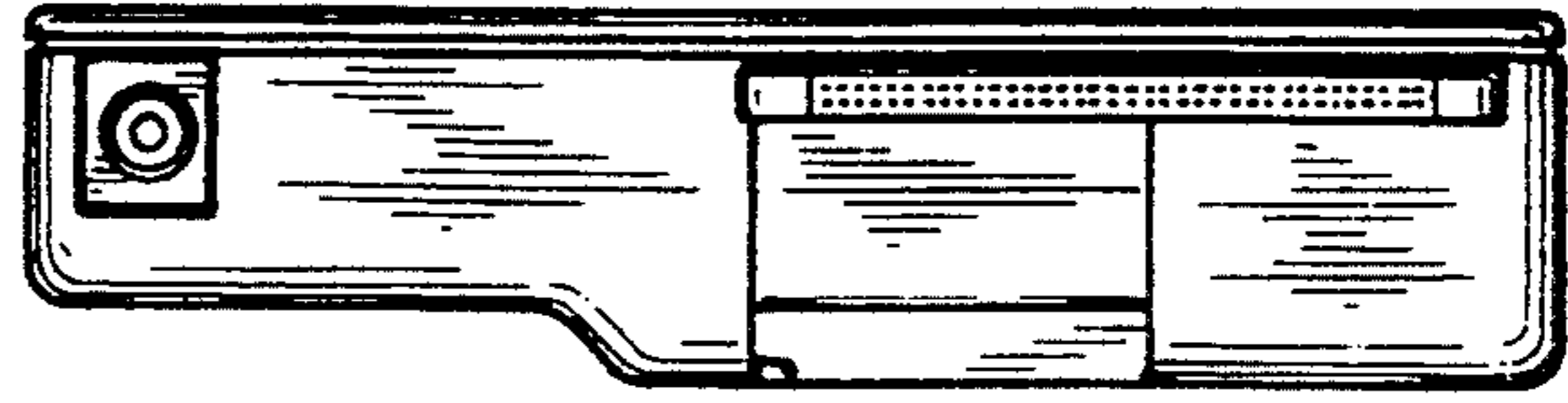
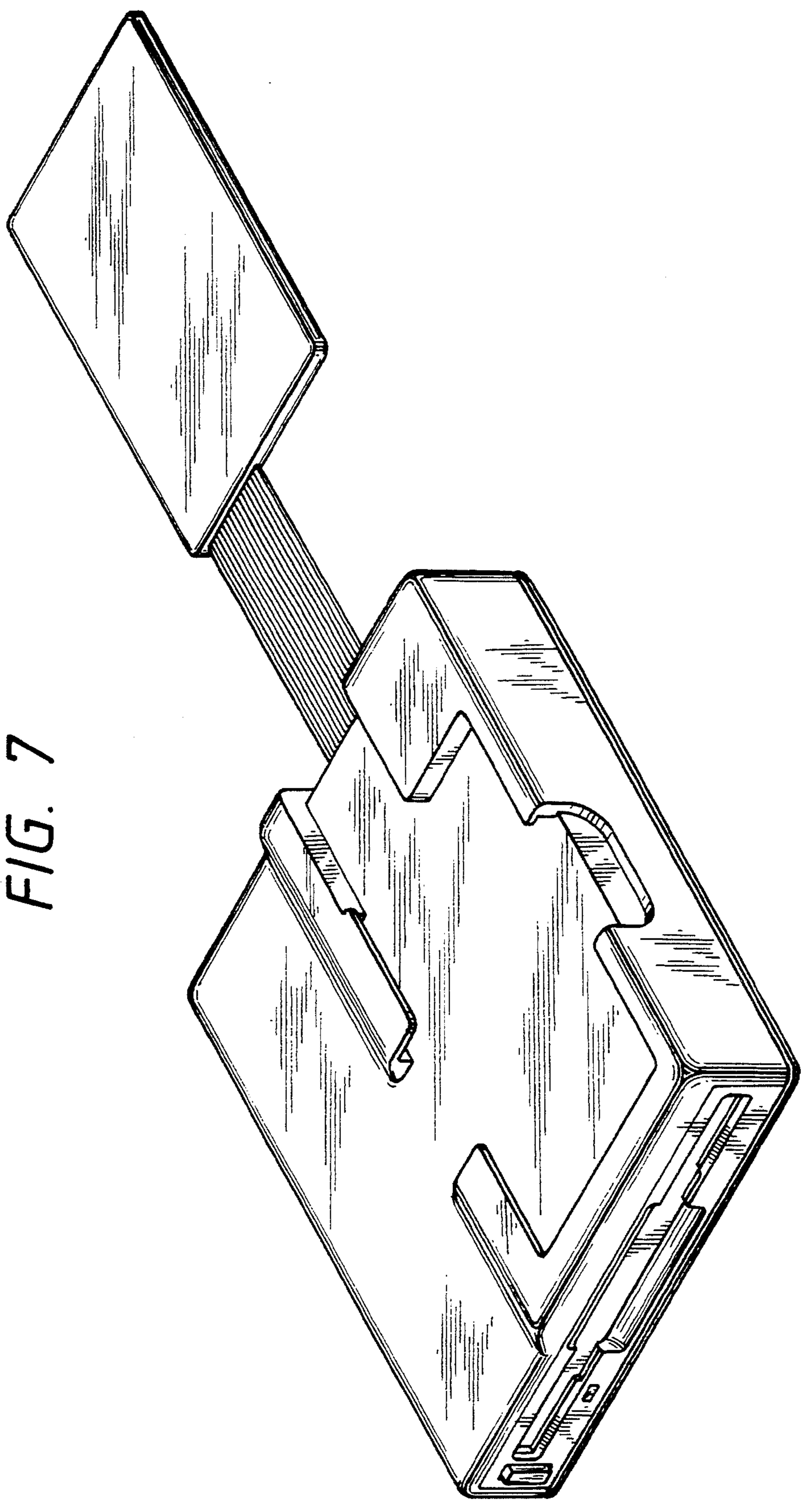


FIG. 7



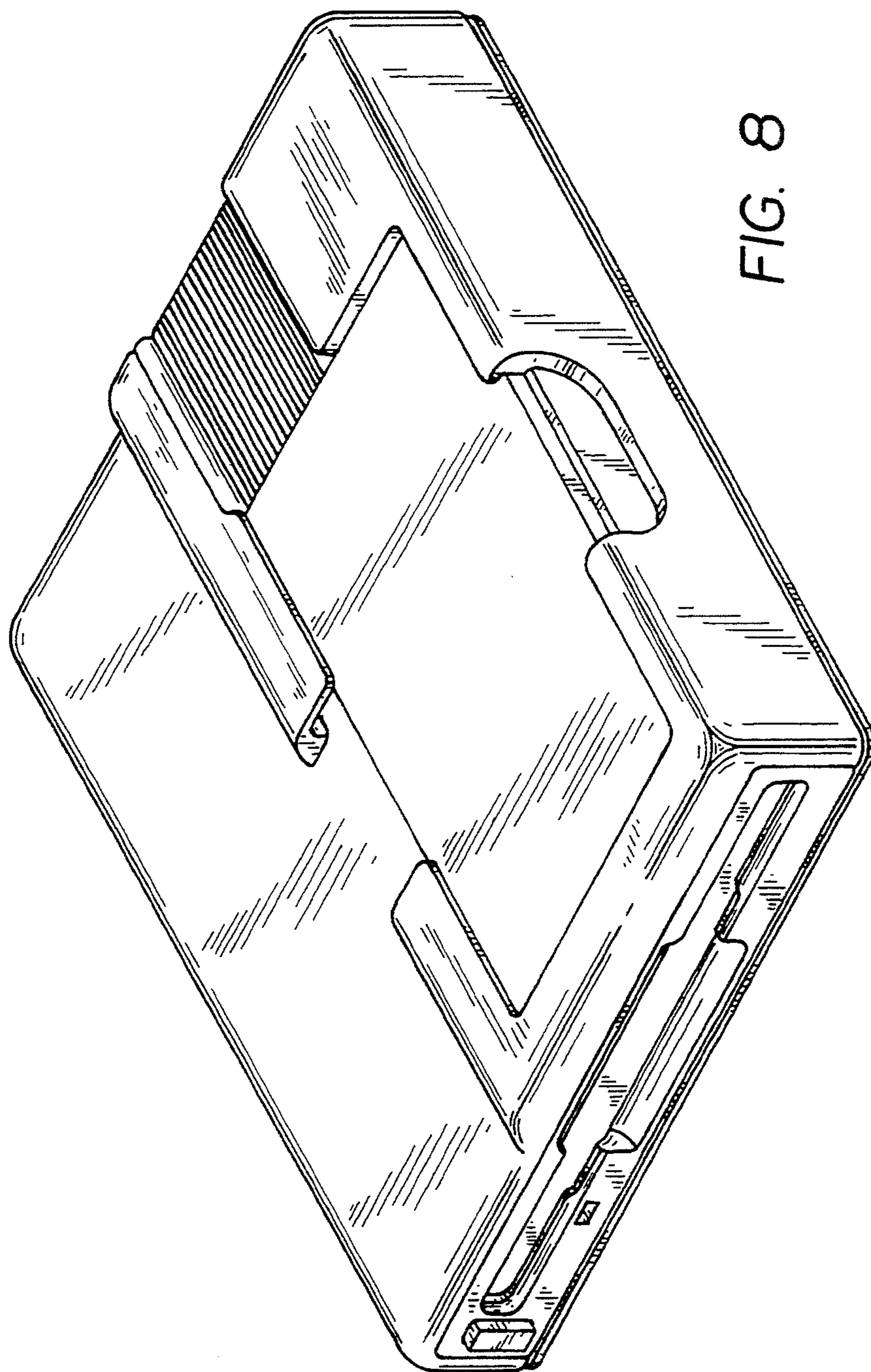


FIG. 8