



US00D359275S

United States Patent [19]
Yamazaki

[11] **Patent Number: Des. 359,275**
[45] **Date of Patent: ** Jun. 13, 1995**

[54] **PORTABLE PERSONAL COMPUTER**
[75] Inventor: **Kazuhiko Yamazaki**, Hiratuka, Japan
[73] Assignee: **International Business Machines Corporation**, Armonk, N.Y.
[**] Term: **14 Years**
[21] Appl. No.: **6,035**
[22] Filed: **Mar. 18, 1993**

[30] **Foreign Application Priority Data**
Sep. 18, 1992 [JP] Japan 4-27302
[52] **U.S. Cl.** **D14/106**
[58] **Field of Search** D14/100, 101, 106, 113,
D14/115; D18/1, 7, 11, 12; 235/145 A, 145 R;
345/168, 169, 172, 173; 341/22, 23; 364/708.1,
709.04, 709.12

[56] **References Cited**
U.S. PATENT DOCUMENTS
D. 333,128 2/1993 Peng et al. D14/106
D. 335,870 5/1993 Yun D14/106
D. 338,660 8/1993 Youens et al. D14/106
D. 341,579 11/1993 Sugihara et al. D14/106
5,243,549 9/1993 Oshiba D14/106 X

5,251,102 10/1993 Kimbel D14/106 X

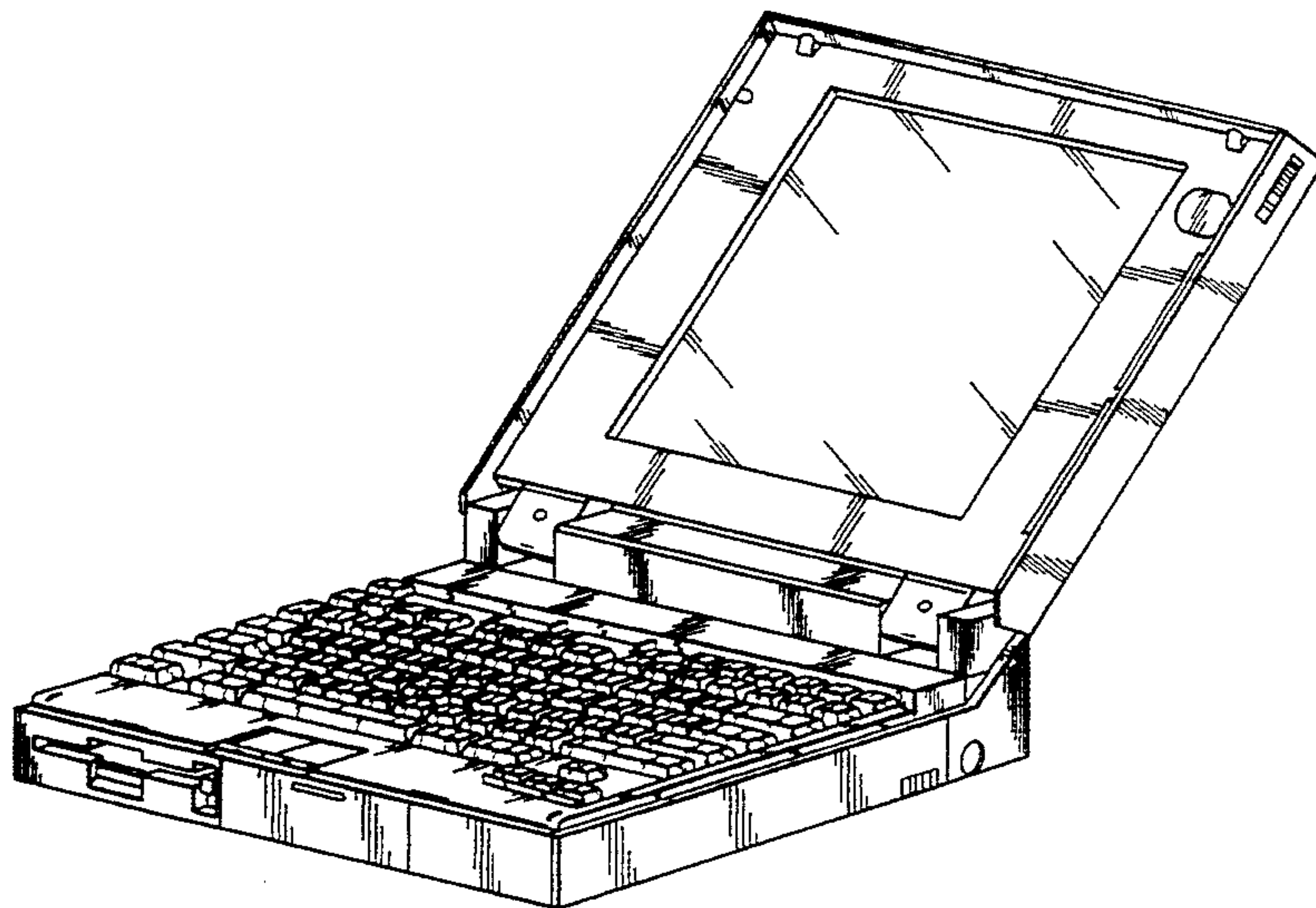
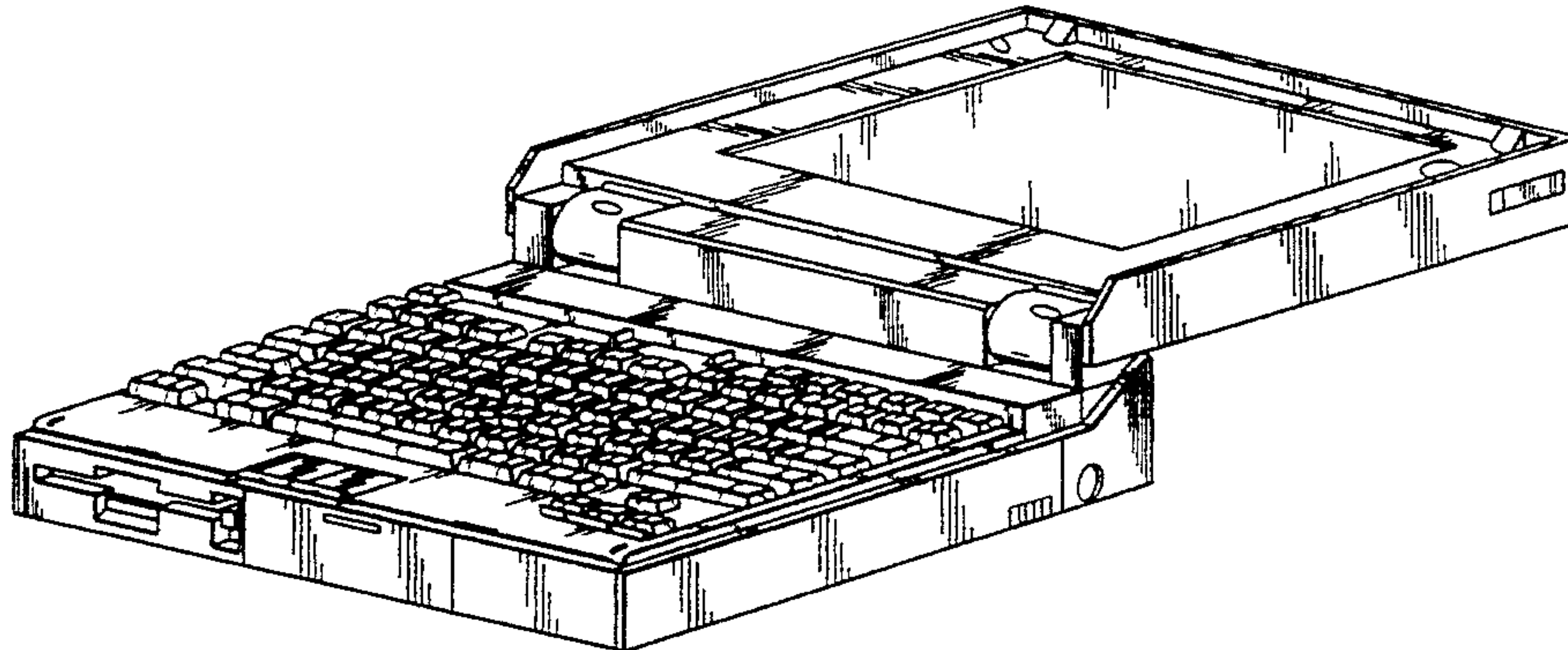
Primary Examiner—Freda S. Nunn
Attorney, Agent, or Firm—Martin J. McKinley

[57] **CLAIM**

The ornamental design for a portable personal computer, as shown and described.

DESCRIPTION

FIG. 1 is a front elevational view of the portable personal computer with the cover closed;
FIG. 2 is a rear elevational view thereof;
FIG. 3 is a top plan view thereof;
FIG. 4 is a bottom plan view thereof;
FIG. 5 is a left side elevational view thereof;
FIG. 6 is a right side elevational view thereof;
FIG. 7 is a left front and top perspective view thereof with the cover opened and in the horizontal position;
FIG. 8 is a left front and top perspective view thereof with the cover opened and in the oblique position;
FIG. 9 is a front elevational view thereof;
FIG. 10 is a rear elevational view thereof;
FIG. 11 is a top plan view thereof;
FIG. 12 is a bottom plan view thereof;
FIG. 13 is a left side elevational view thereof; and,
FIG. 14 is a right side elevational view thereof.



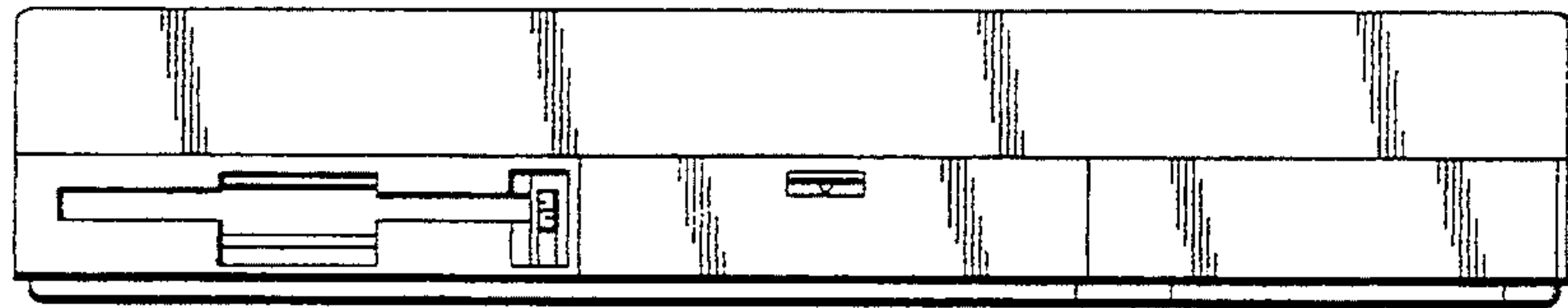


FIG. 1

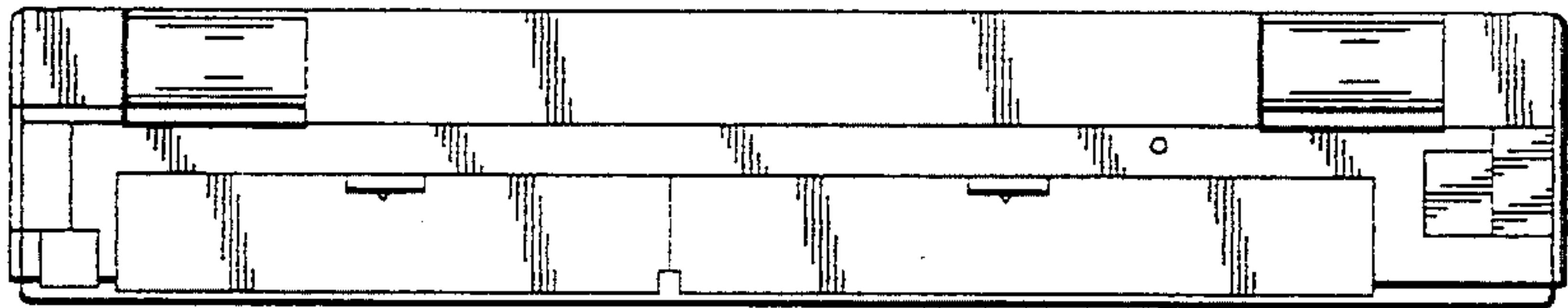


FIG. 2

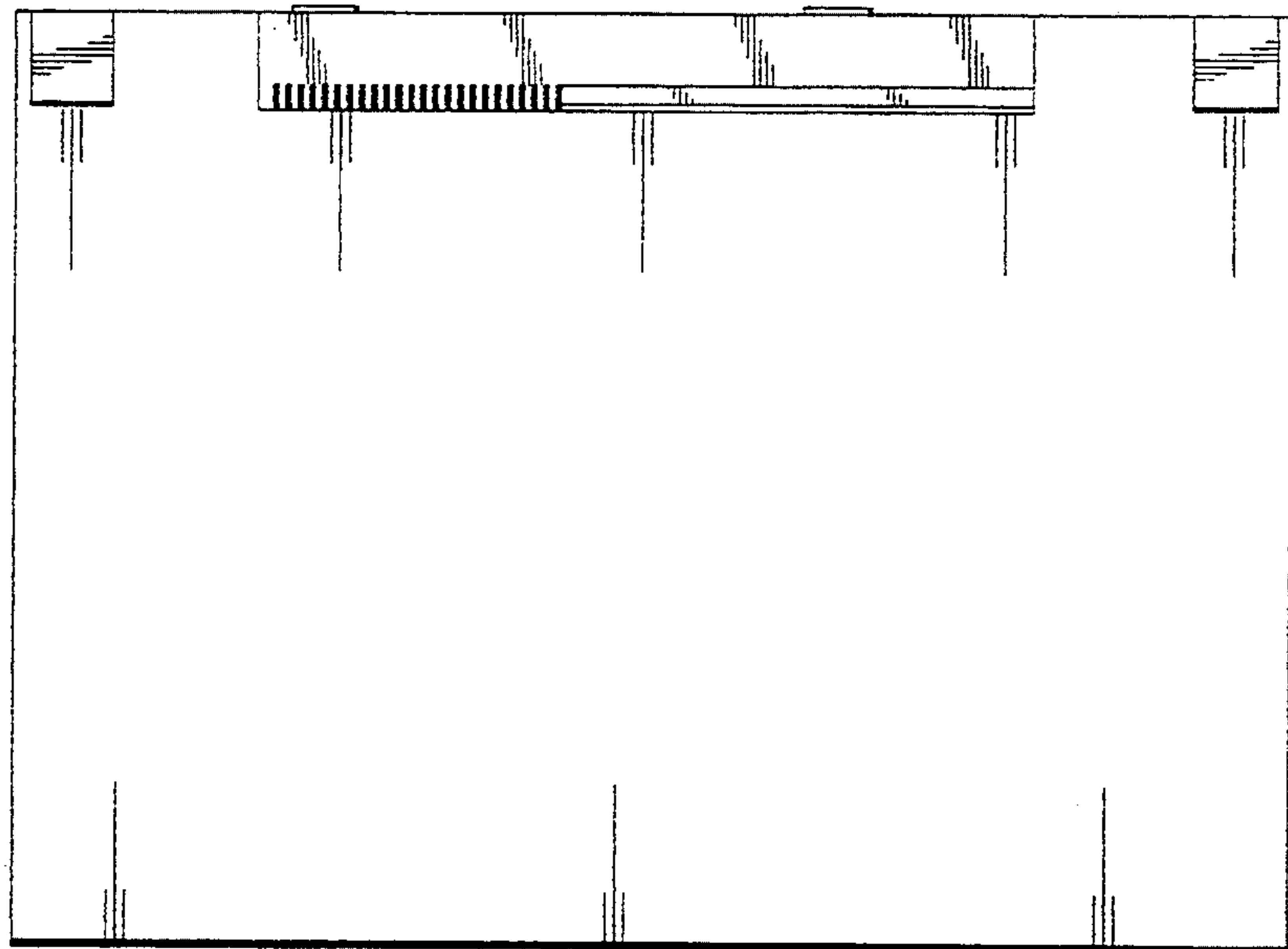


FIG. 3

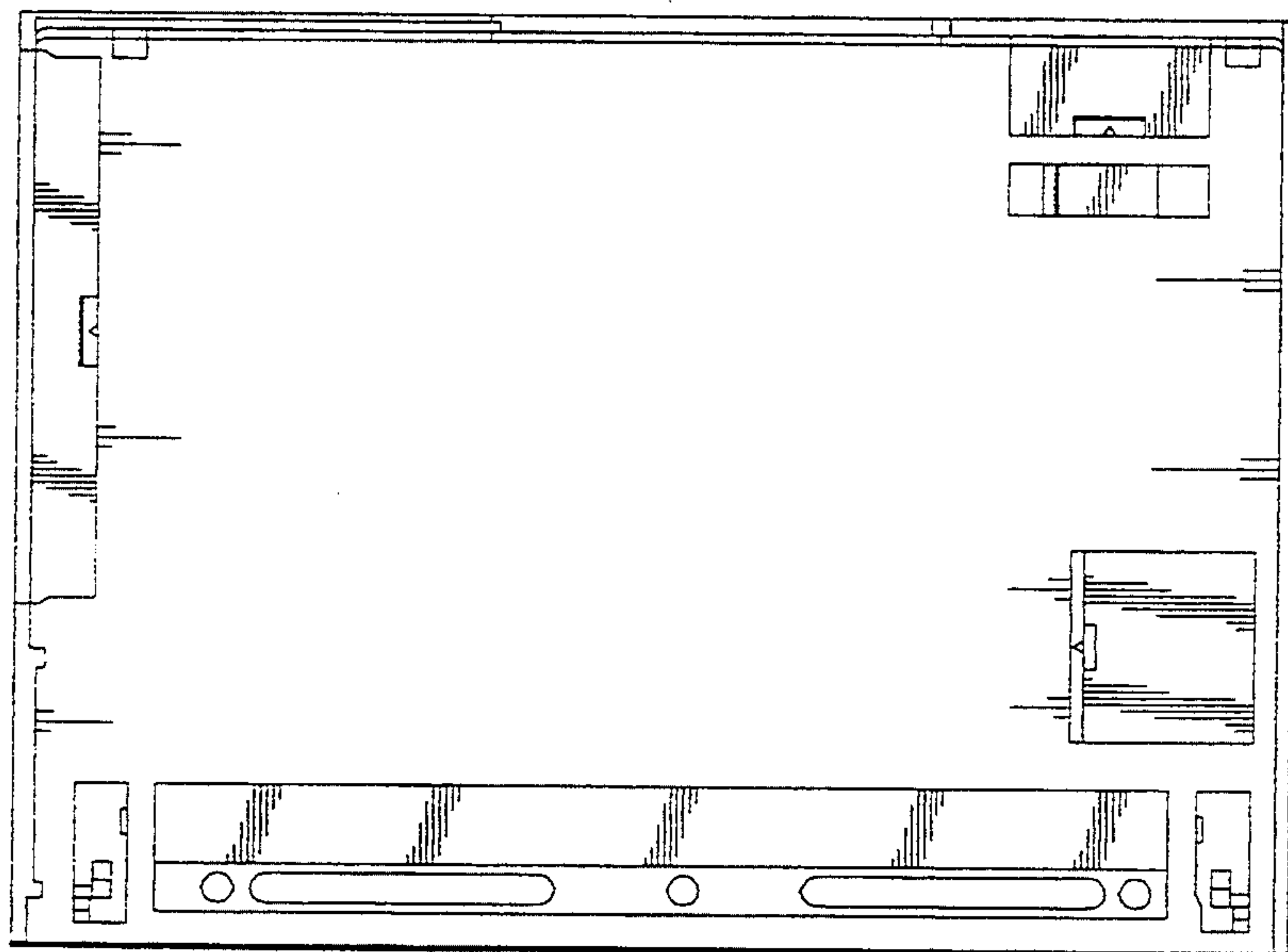


FIG. 4

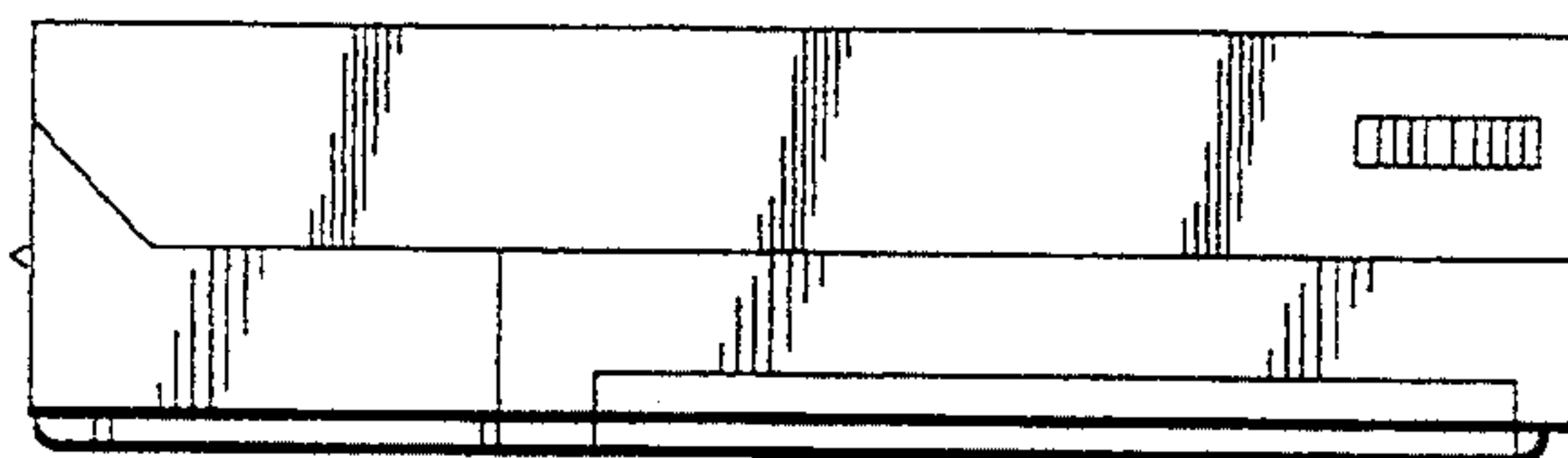


FIG. 5

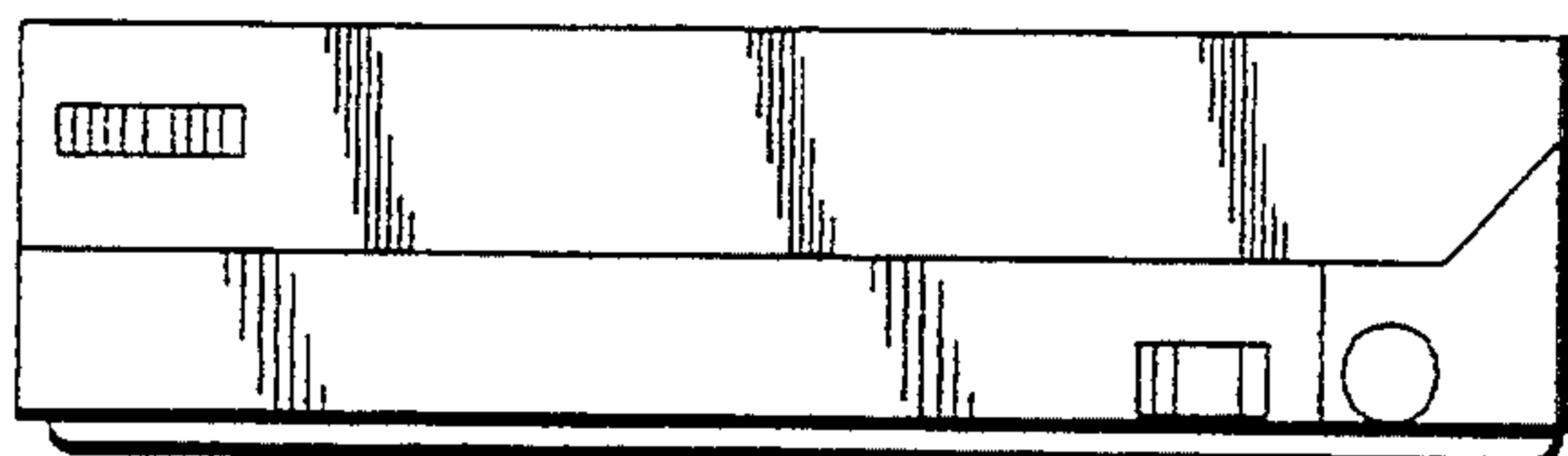


FIG. 6

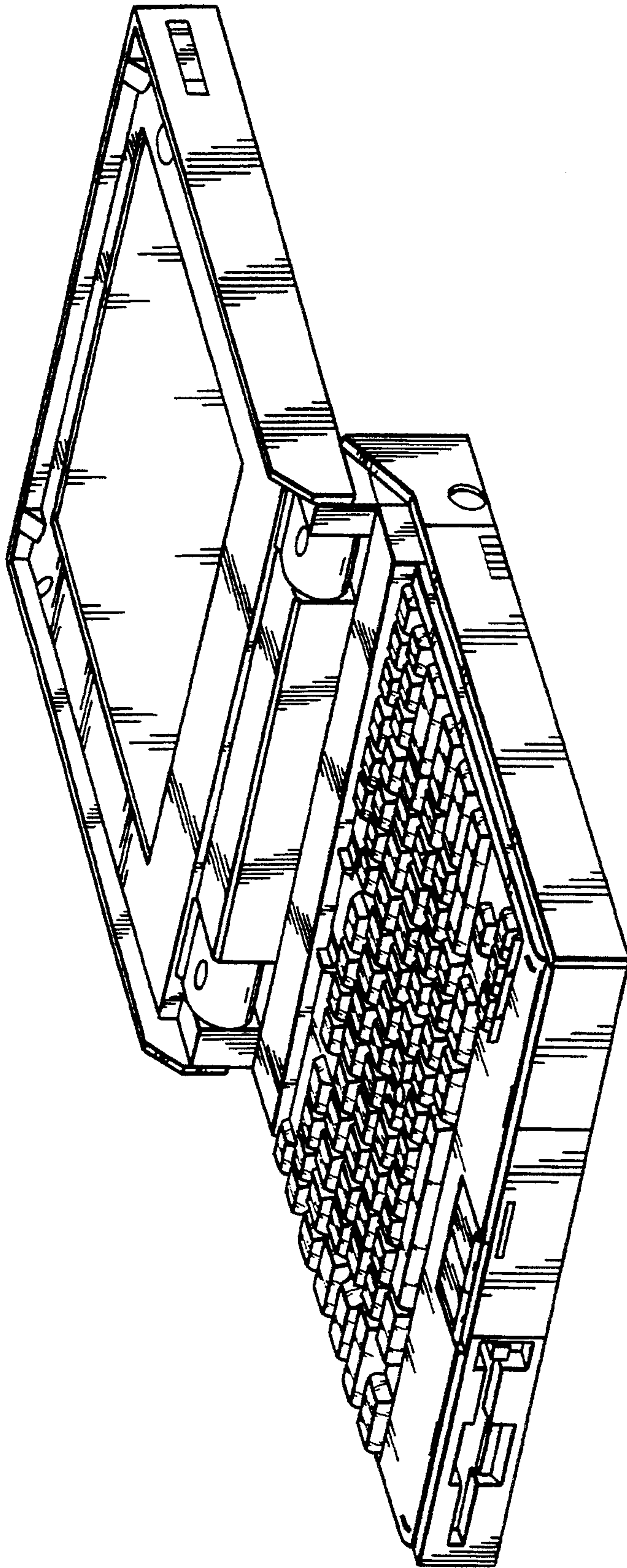


FIG. 7

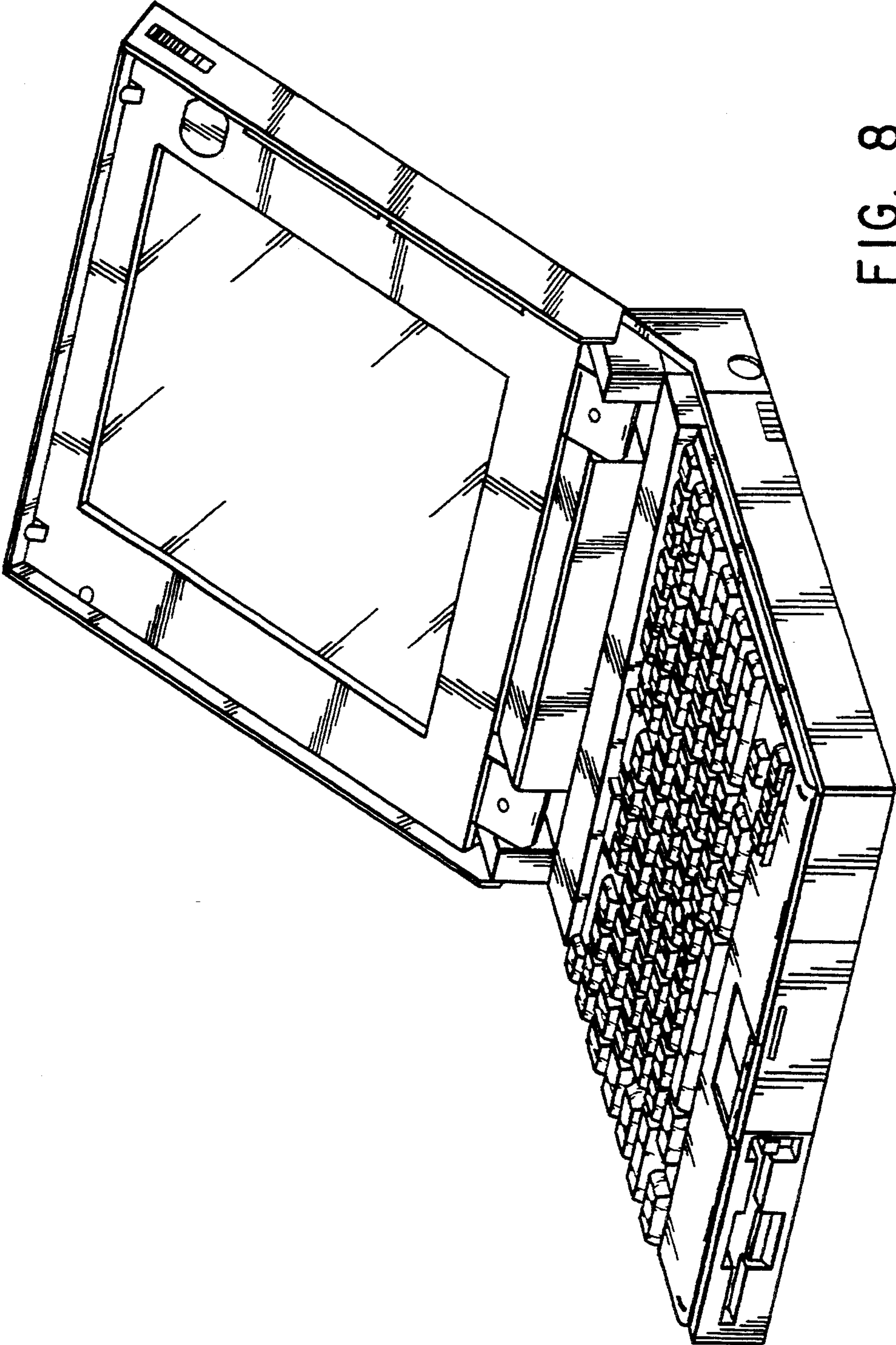


FIG. 8

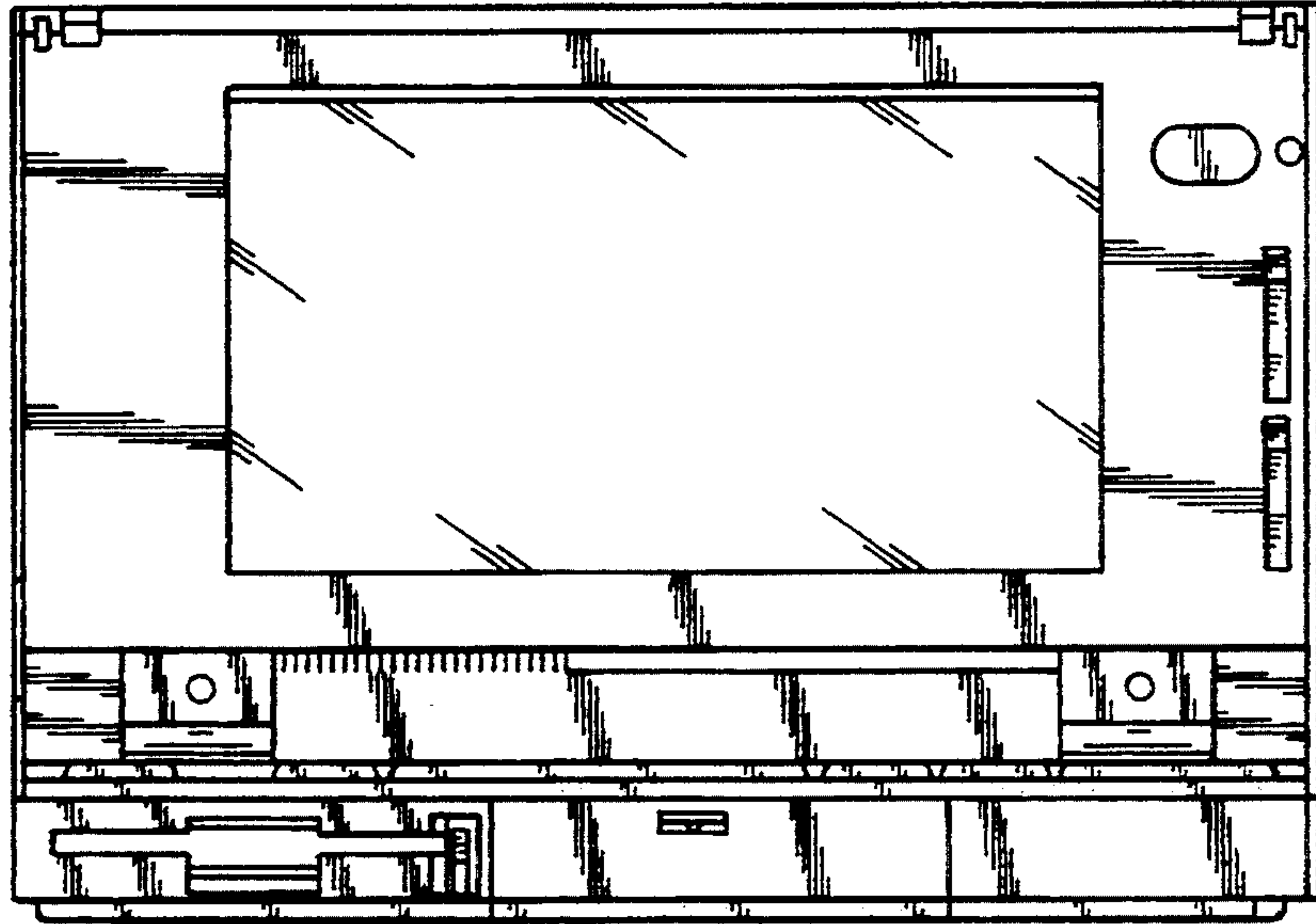


FIG. 9

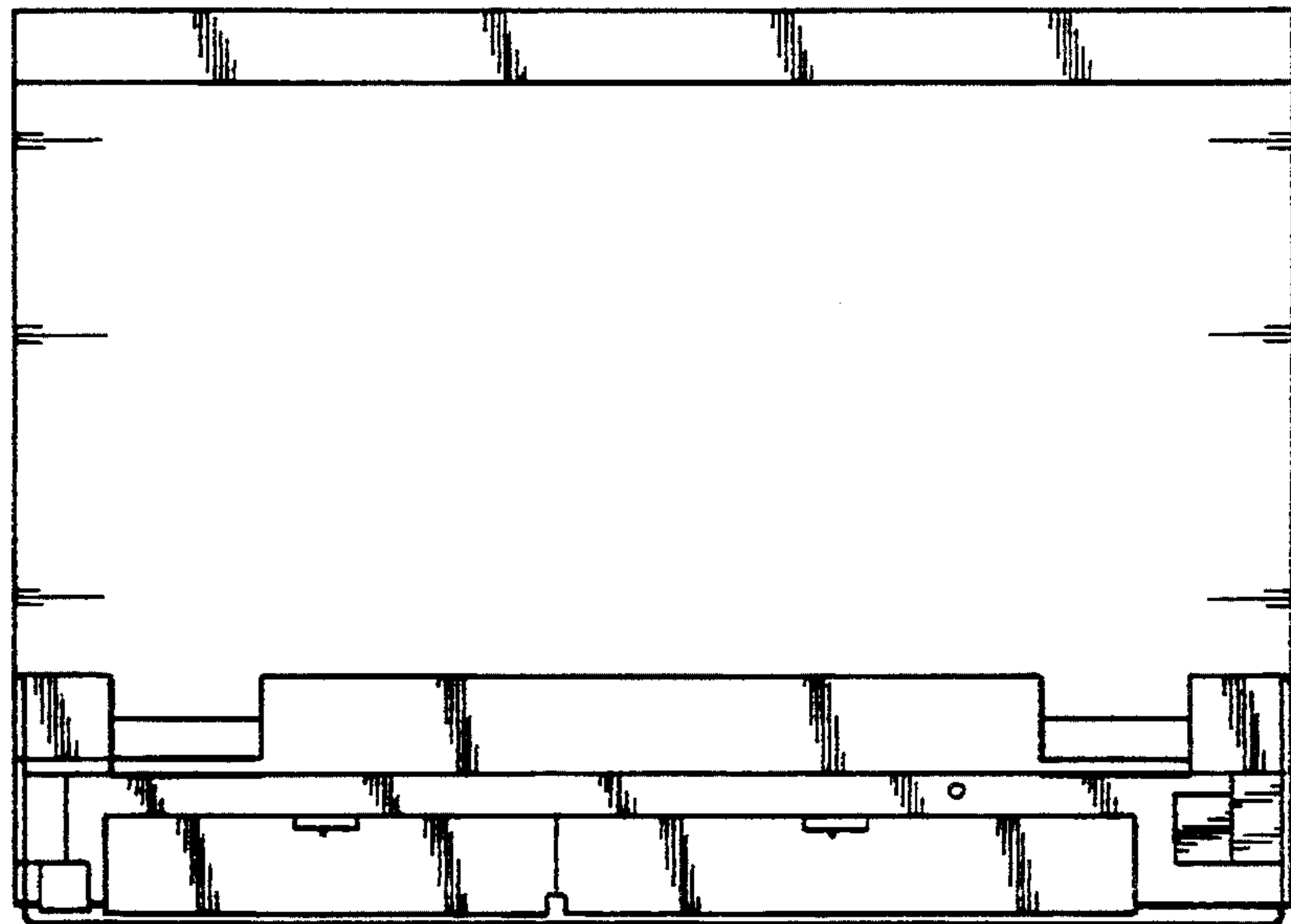


FIG. 10

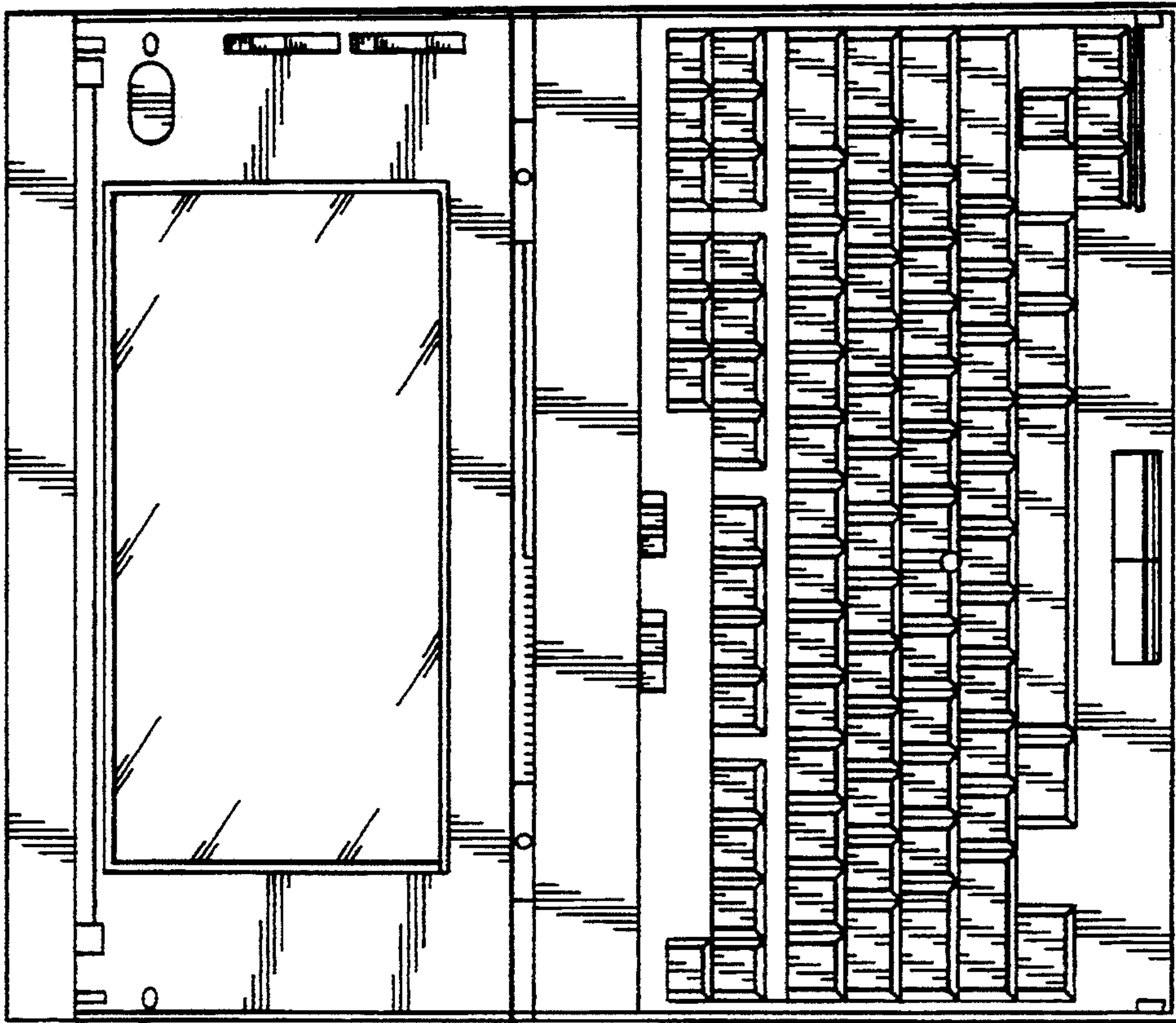


FIG. 11

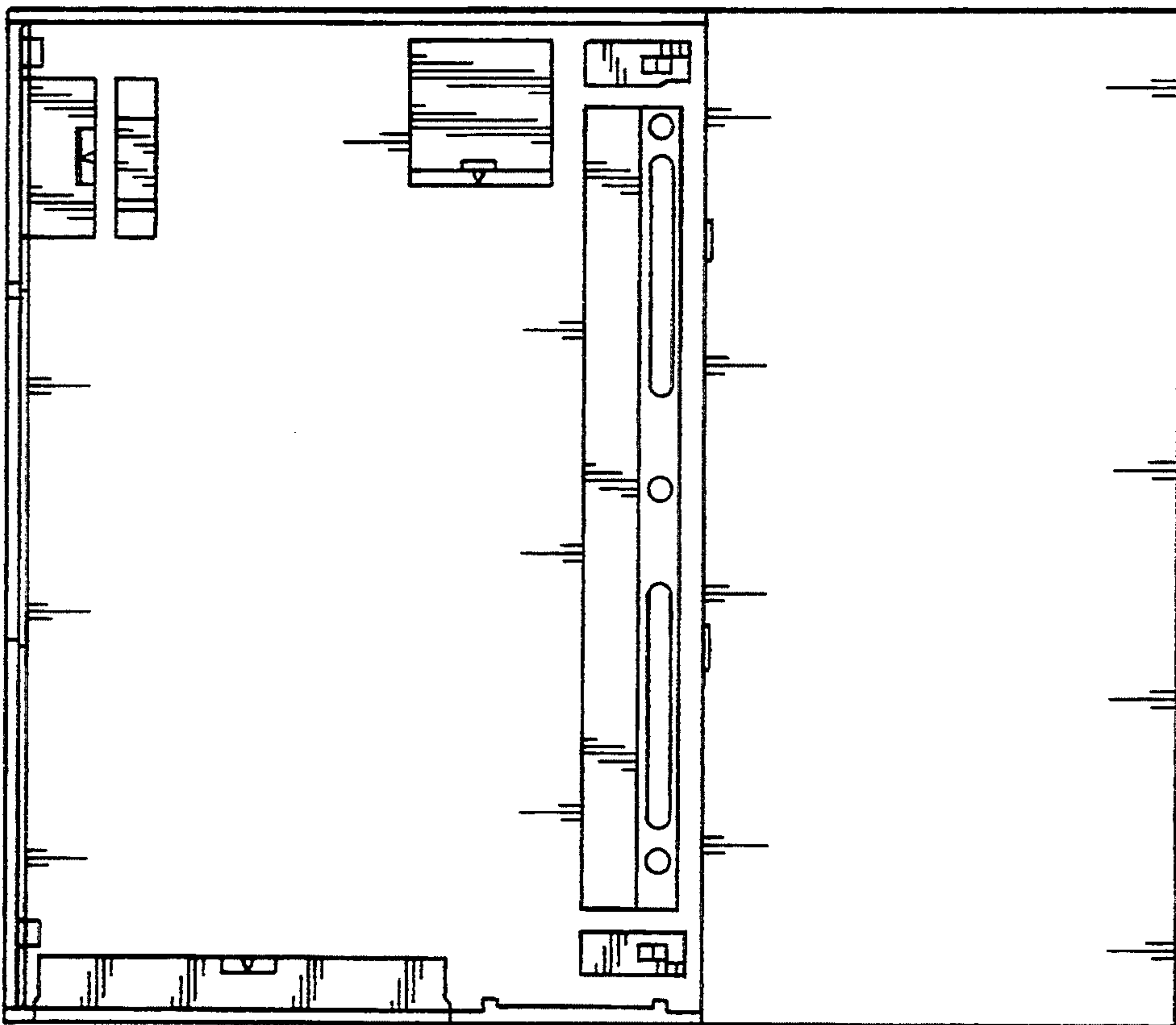


FIG. 12

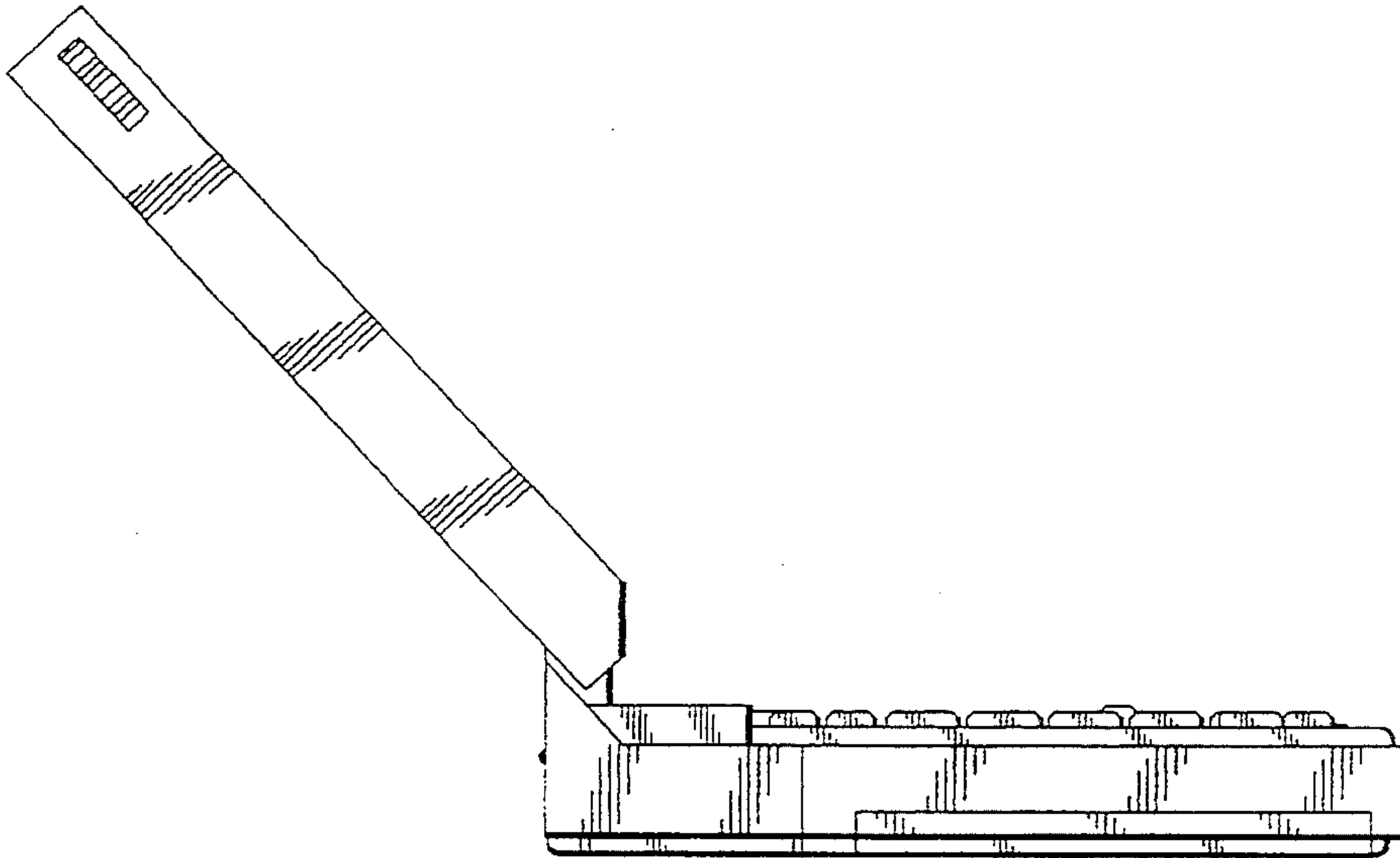


FIG. 13

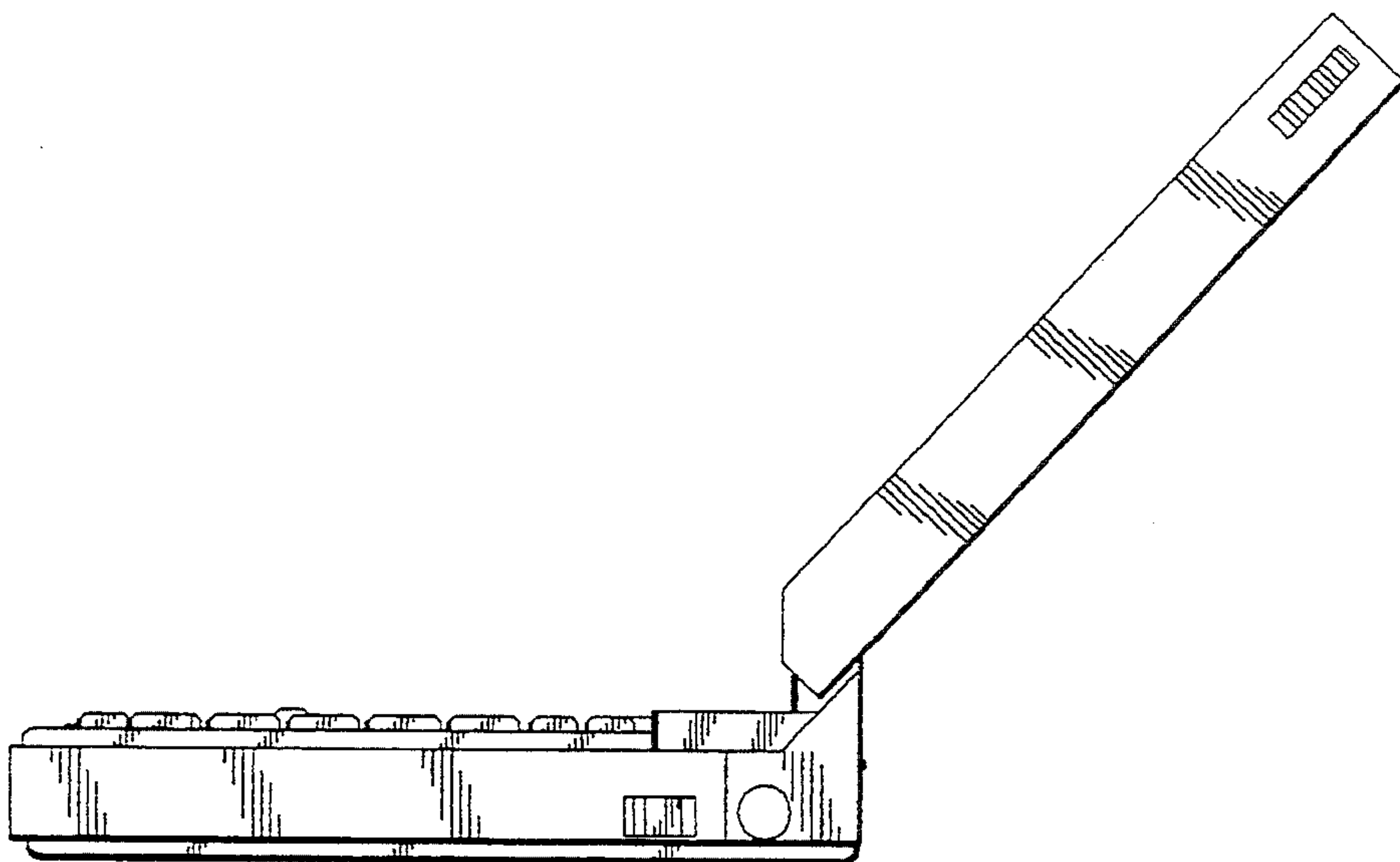


FIG. 14