



US00D359274S

United States Patent [19]

Kennedy et al.

[11] Patent Number: **Des. 359,274**

[45] Date of Patent: **** Jun. 13, 1995**

[54] **COMBINED CARD READER AND CASE**

[75] Inventors: **James K. Kennedy**, Round Rock, Tex.; **James A. Wilson**, North St. Paul, Minn.

[73] Assignee: **Minnesota Mining and Manufacturing Company**, St. Paul, Minn.

[**] Term: **14 Years**

[21] Appl. No.: **15,888**

[22] Filed: **Dec. 1, 1993**

[52] U.S. Cl. **D14/105; D3/230**

[58] Field of Search **D14/100, 105, 107; D18/36, 37, 39, 7; D16/208, 214, 223, 232; 250/566, 568, 569; 355/64, 65, 75, 231, 233; 235/454, 462, 470, 380, 382, 382.5; 348/373-376; 354/80-82; 382/2, 3, 4, 59, 62-65; D3/201, 249, 218, 226, 230; D19/60, 59,**
27

[56] **References Cited**

U.S. PATENT DOCUMENTS

- D. 222,261 10/1971 Hartman et al. D19/60
- D. 306,298 2/1990 Sawada et al. D18/7 X
- D. 312,350 11/1990 Diaz D19/27 X
- D. 322,812 12/1991 Harwin D19/59

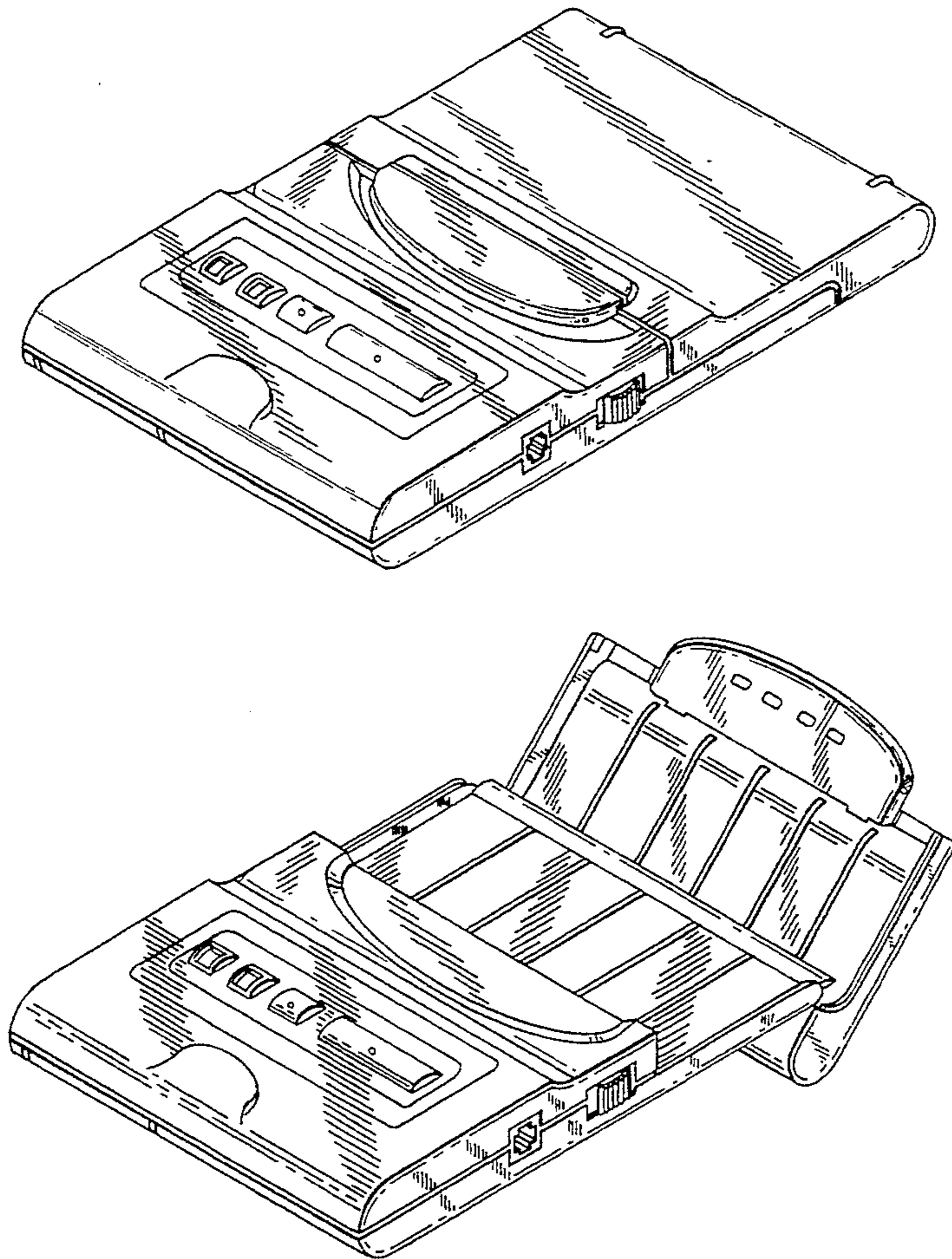
Primary Examiner—Freda S. Nunn
Attorney, Agent, or Firm—Gary L. Griswold; Walter N. Kirn; Jack V. Musgrove

[57] CLAIM

The ornamental design for a combined card reader and case, as shown and described.

DESCRIPTION

FIG. 1 is a perspective view of the combined card reader and case with the cover closed;
FIG. 2 is a top plan view thereof;
FIG. 3 is a right side elevational view thereof;
FIG. 4 is a left side elevational view thereof;
FIG. 5 is a bottom plan view thereof;
FIG. 6 is a rear elevational view thereof;
FIG. 7 is a front elevational view thereof; and,
FIG. 8 is a perspective view thereof with the cover open.



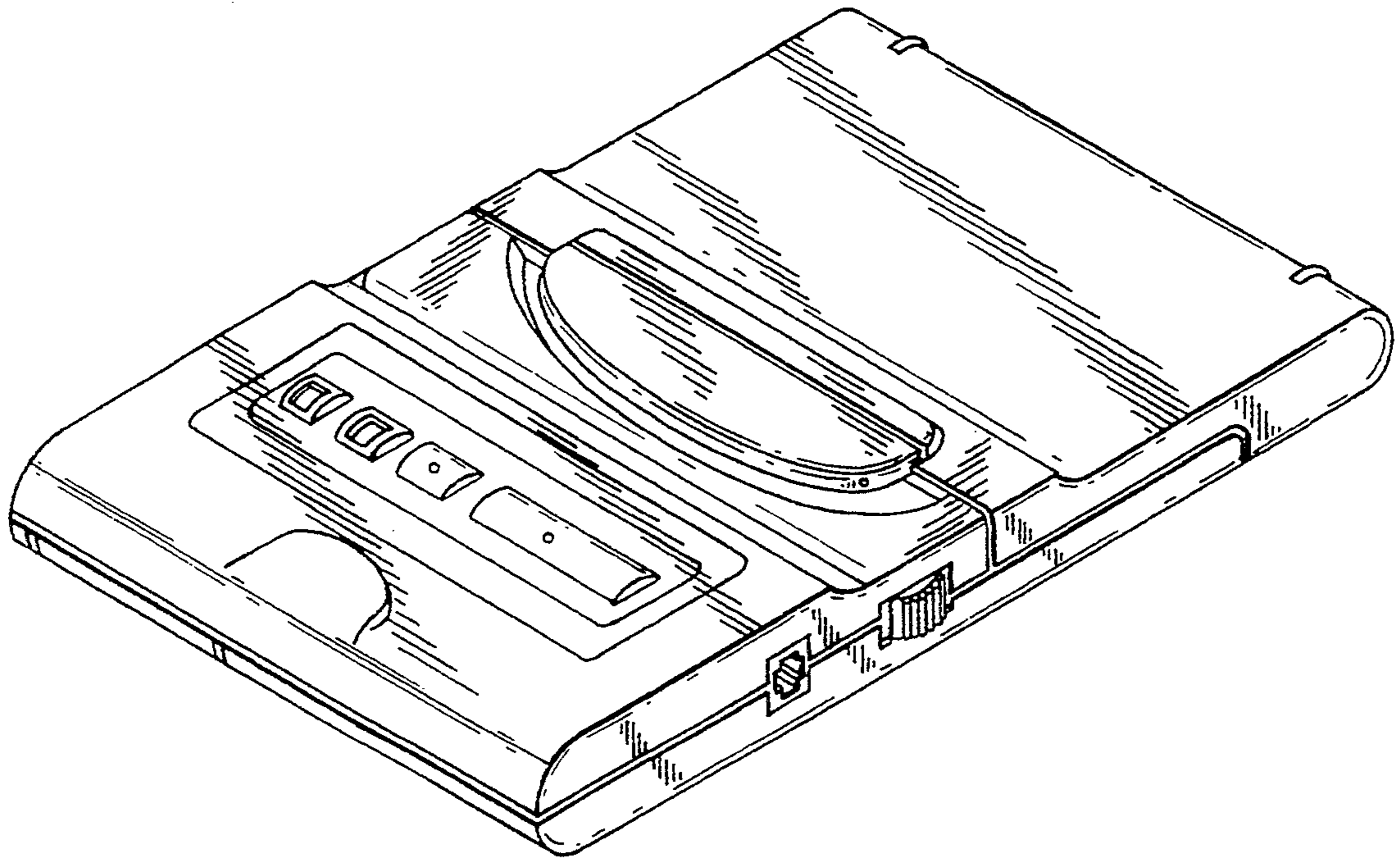


FIG. 1

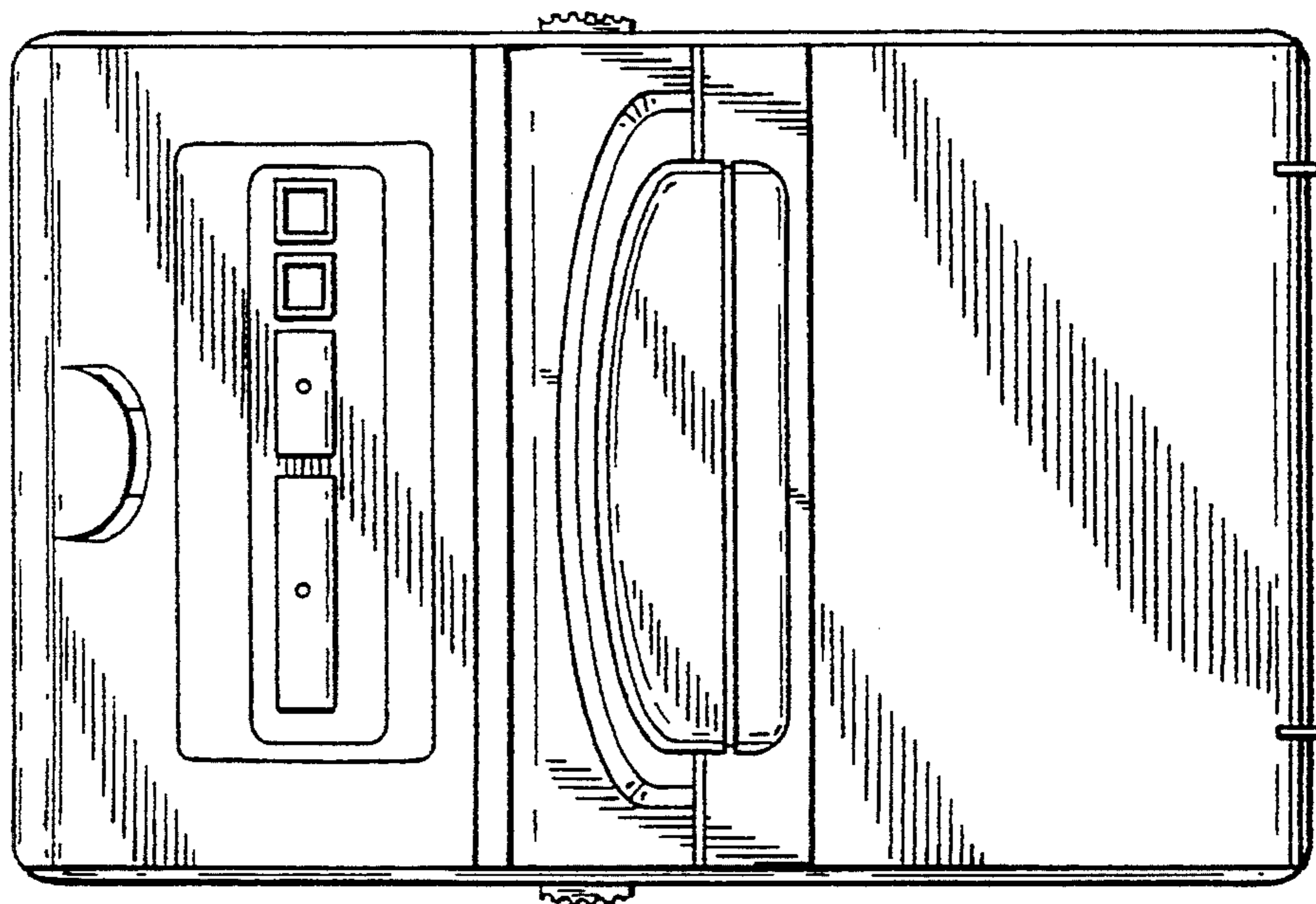


FIG. 2

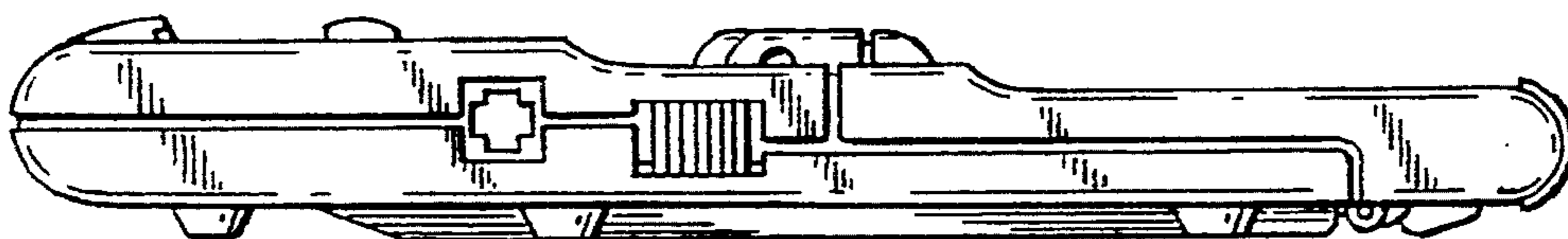


FIG. 3

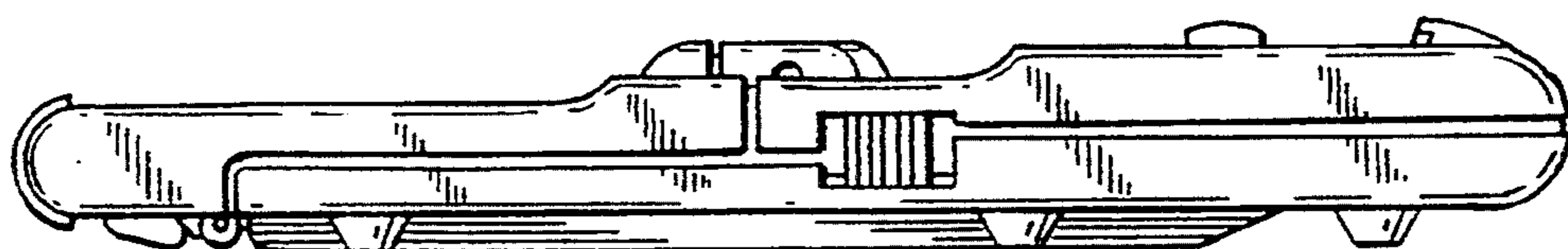


FIG. 4

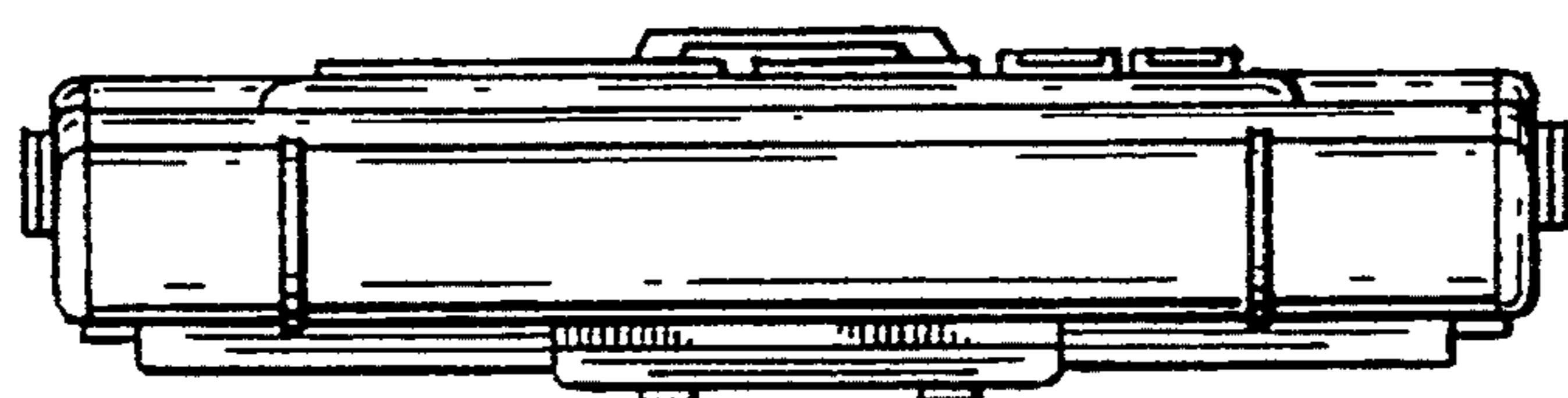


FIG. 6

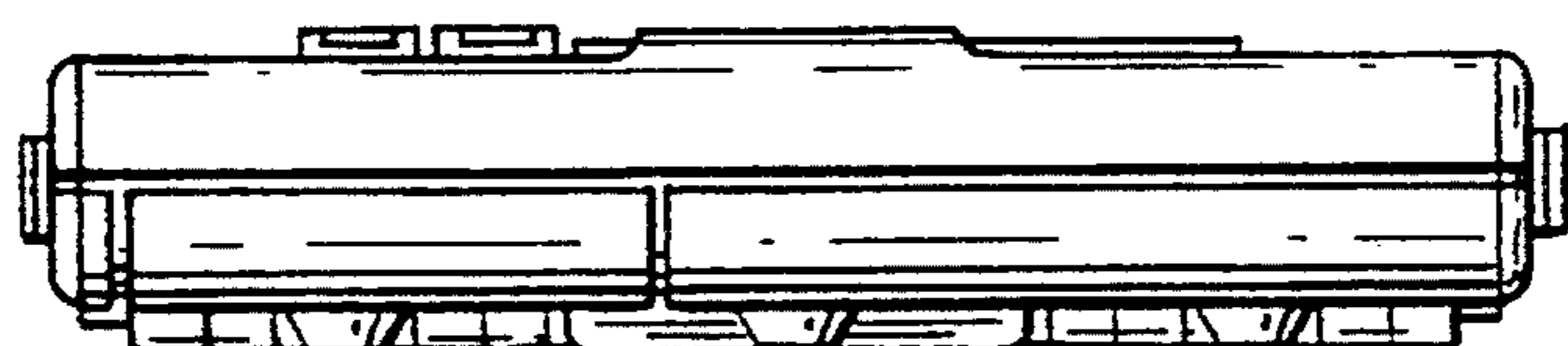


FIG. 7

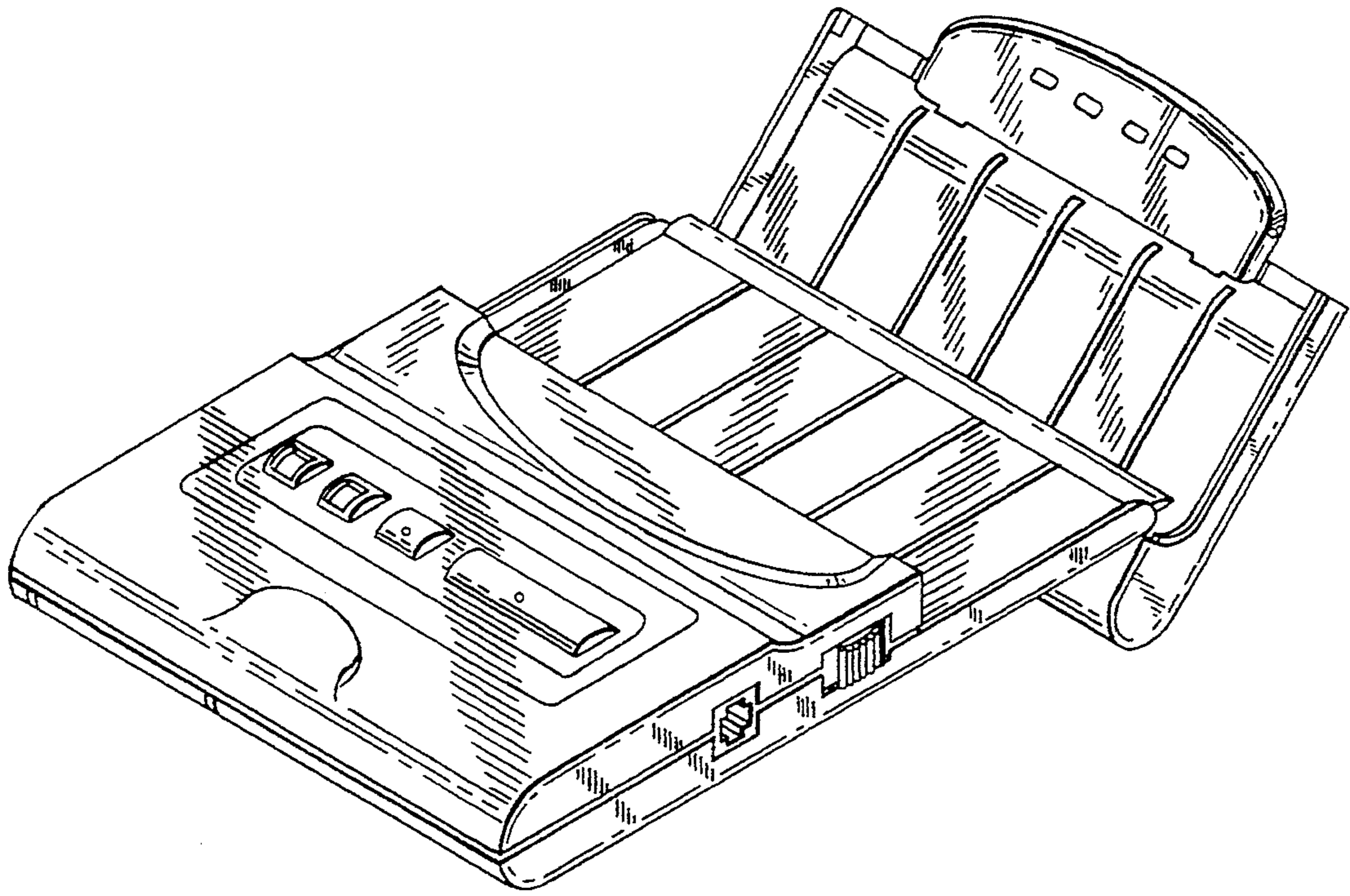


FIG. 8

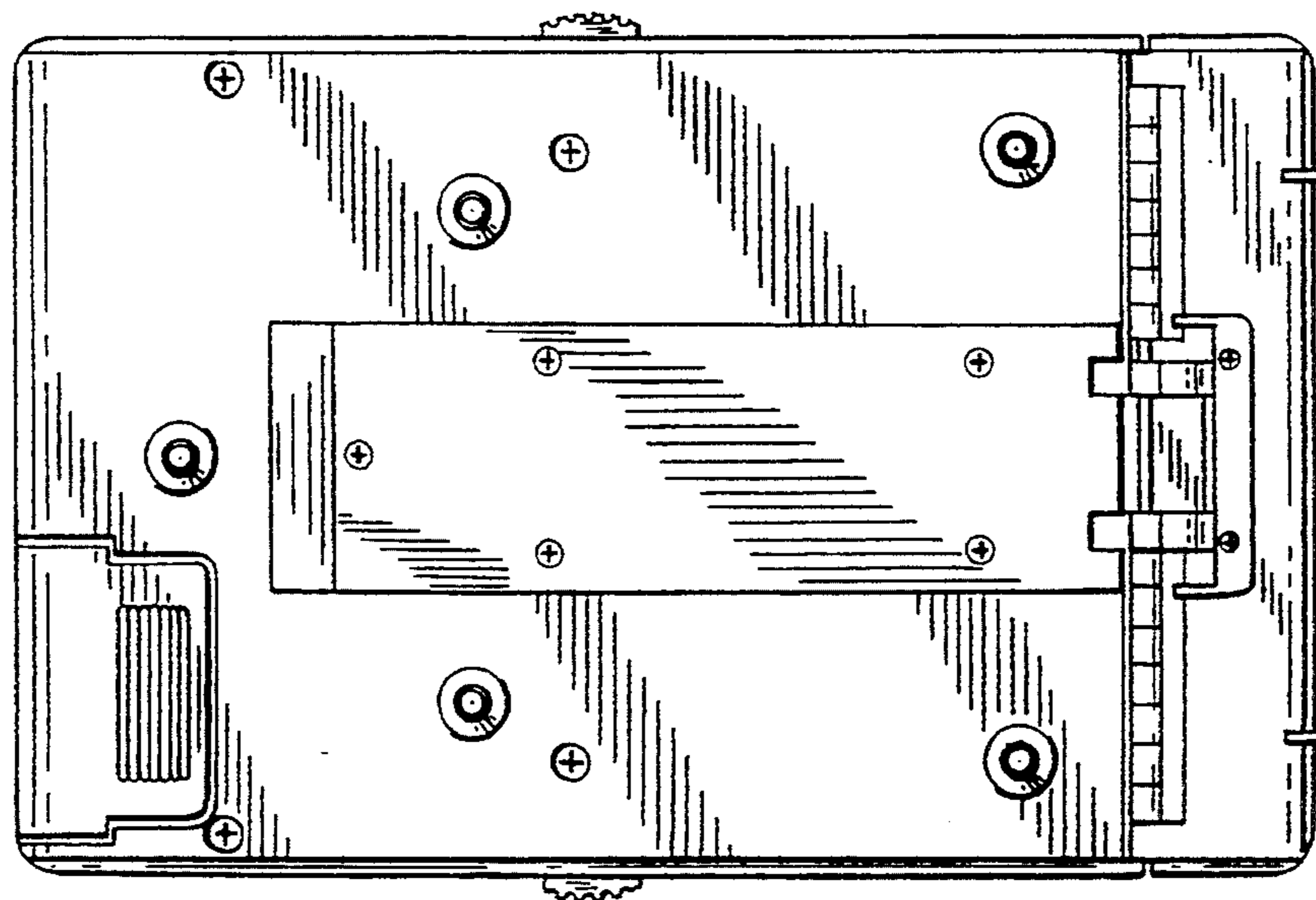


FIG. 5