



US00D359272S

# United States Patent [19] Fahy

[11] Patent Number: Des. 359,272

[45] Date of Patent: \*\* Jun. 13, 1995

[54] CONVERTIBLE UNIVERSAL ANTENNA MOUNT

[76] Inventor: Lawrence T. Fahy, 6364 Congress Ct., Bensalem, Pa. 19120

[\*\*] Term: 14 Years

[21] Appl. No.: 7,115

[22] Filed: Apr. 13, 1993

[52] U.S. Cl. .... D14/238

[58] Field of Search ..... D14/230-238, D14/299; 248/237, 516, 519; 343/878, 880-882

[56] **References Cited**

**U.S. PATENT DOCUMENTS**

- D. 289,163 4/1987 Eriksson ..... D14/230
- D. 292,707 10/1987 Fahy .
- D. 312,257 11/1990 Fahy .
- 2,419,552 4/1947 Himmel et al. .... D14/230 X

Primary Examiner—Terry A. Wallace

Attorney, Agent, or Firm—Dann, Dorfman, Herrell and Skillman

[57] **CLAIM**

The ornamental design for a convertible universal antenna mount, as shown and described.

**DESCRIPTION**

FIG. 1 is a top, front, right hand side, perspective view of a convertible universal antenna mount showing my new design;

FIG. 2 is a front elevational view thereof;

FIG. 3 is a top plan view thereof;

FIG. 4 is a rear elevational view thereof;

FIG. 5 is a bottom plan view thereof;

FIG. 6 is a right hand side elevational view thereof, the left hand side elevational view being a mirror image thereof; and,

FIG. 7 is a top, left hand side perspective view of an alternate configuration of the convertible universal antenna mount of FIG. 1.

The broken line indicating the antenna mast is for illustrating environmental structure only and forms no part of the claimed design.

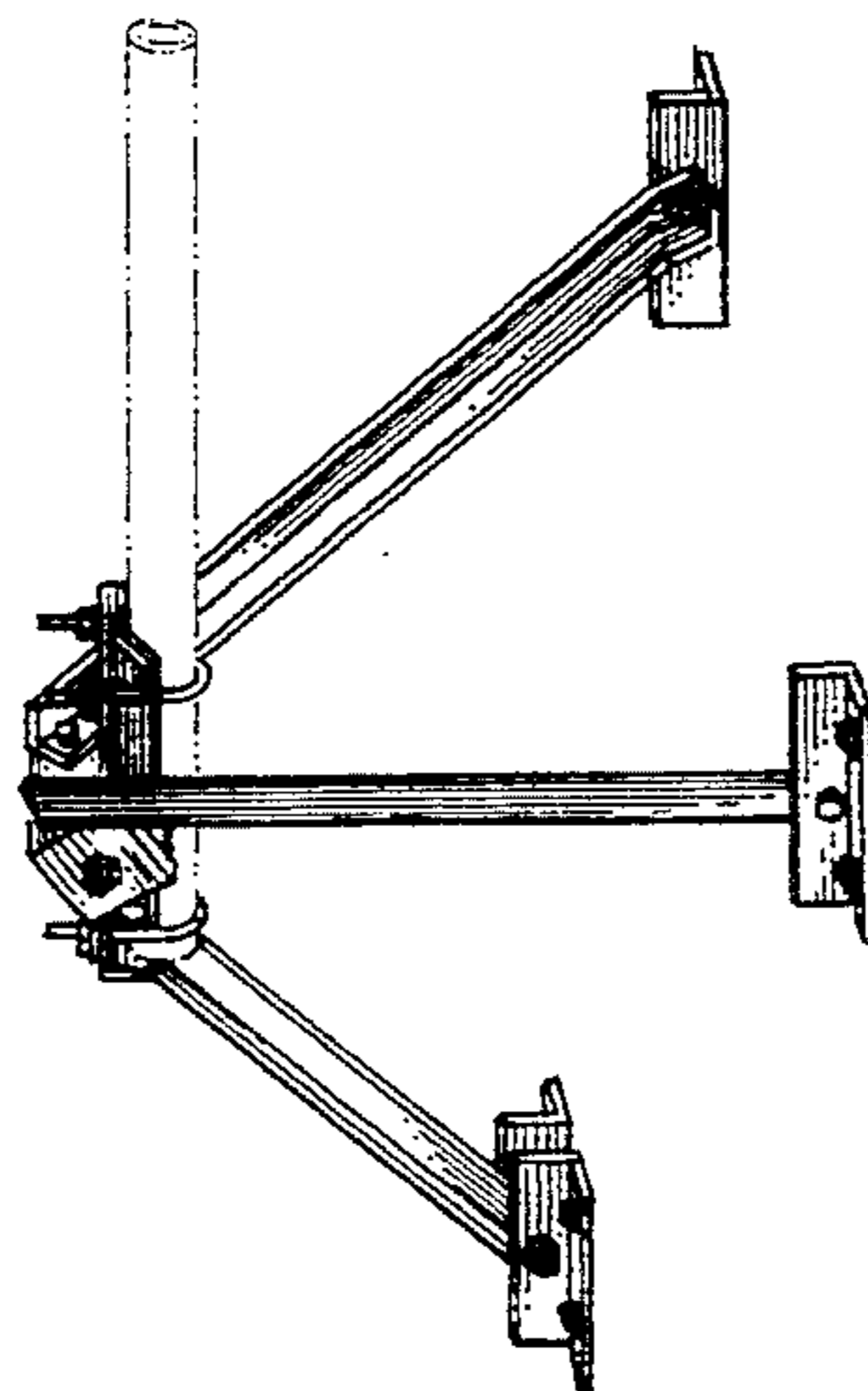
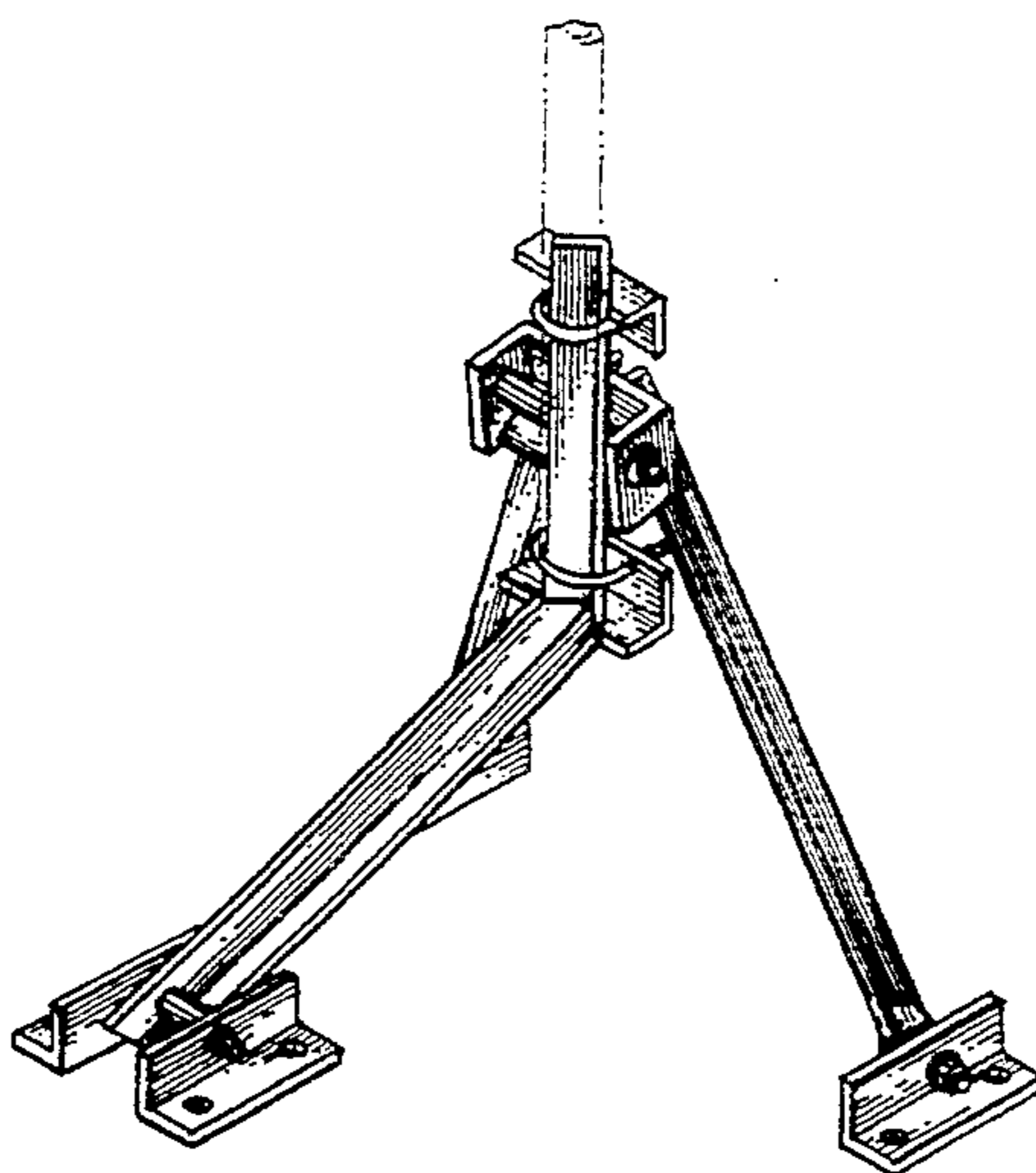


FIG. 1

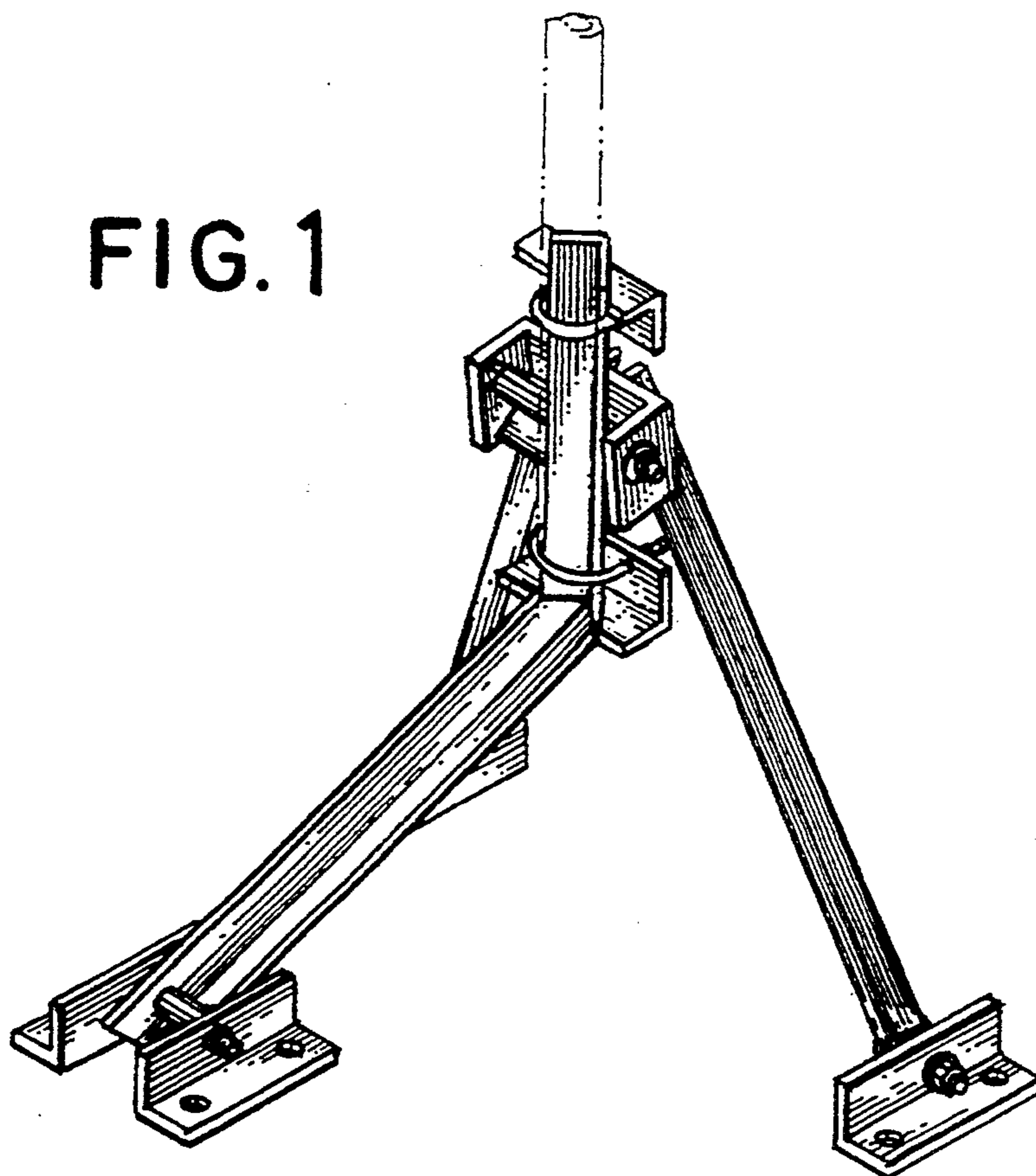
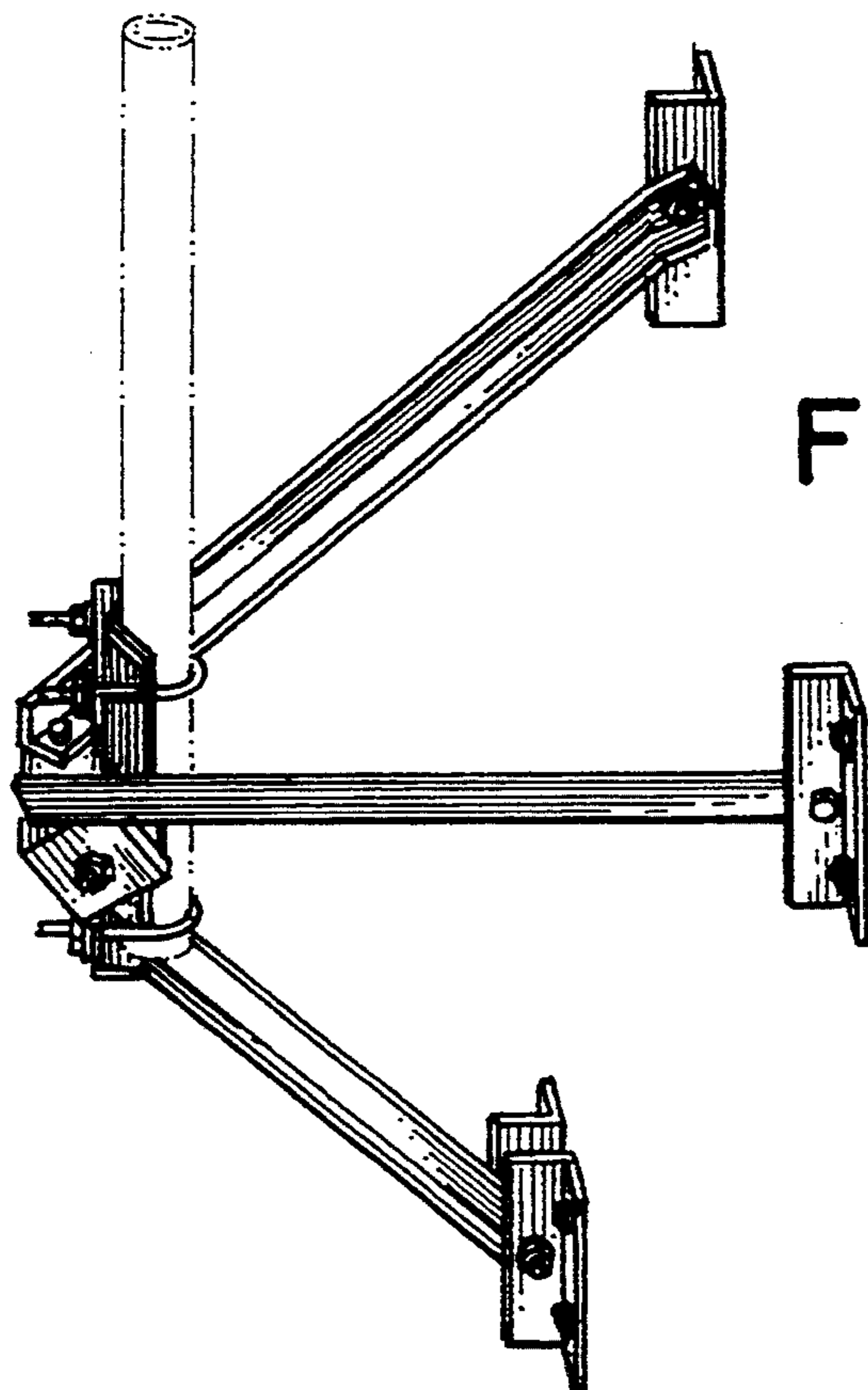


FIG. 7



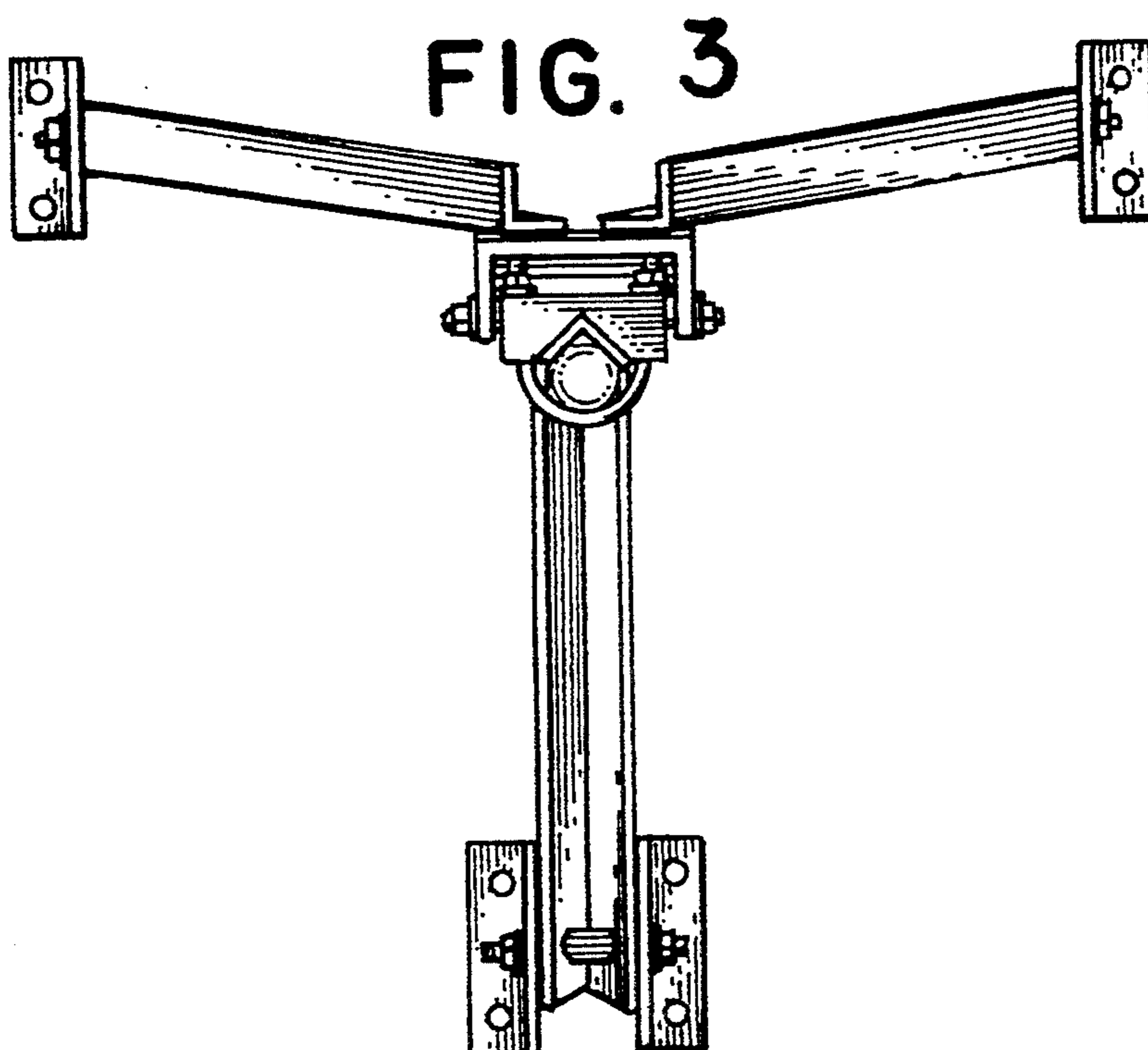
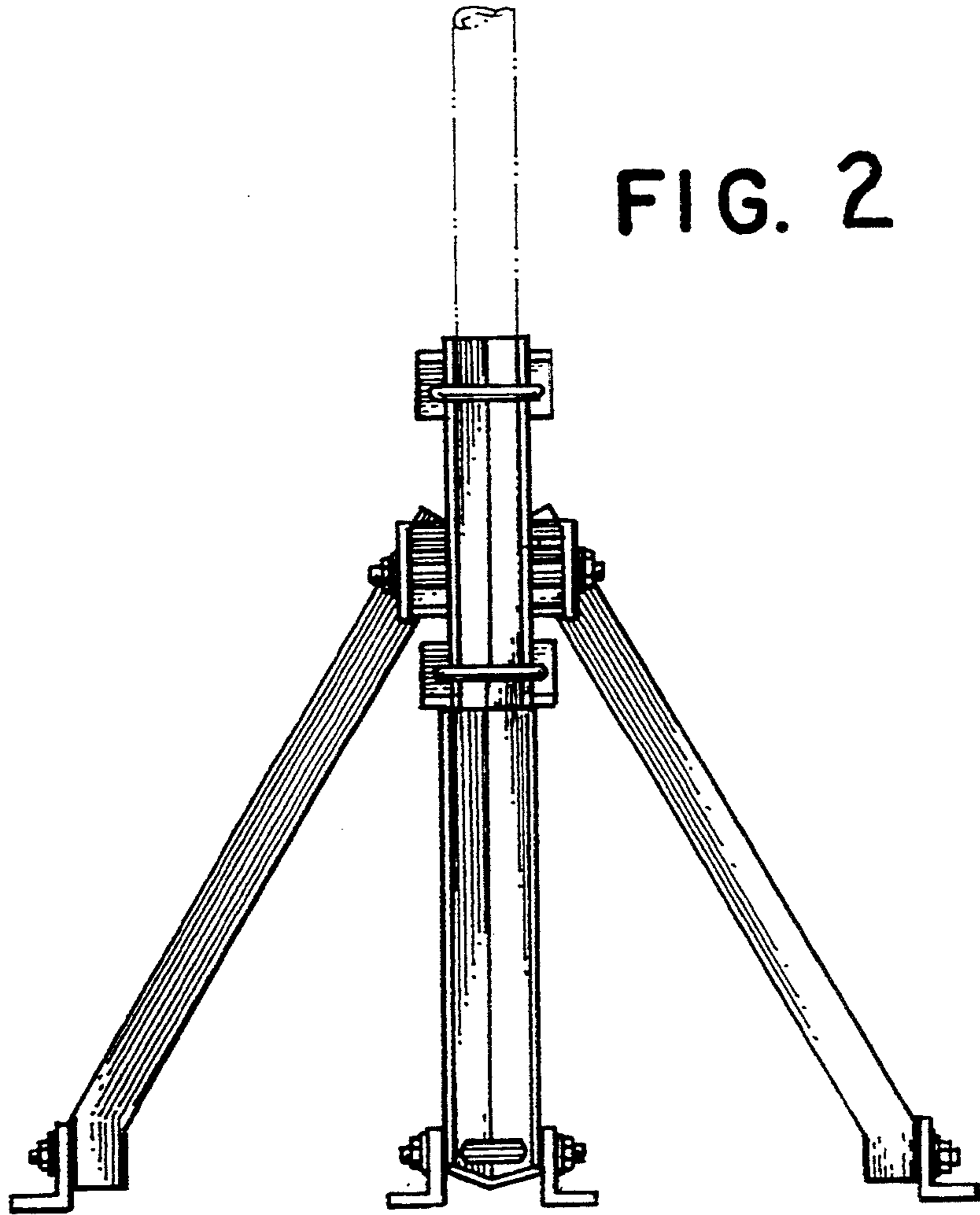


FIG. 4

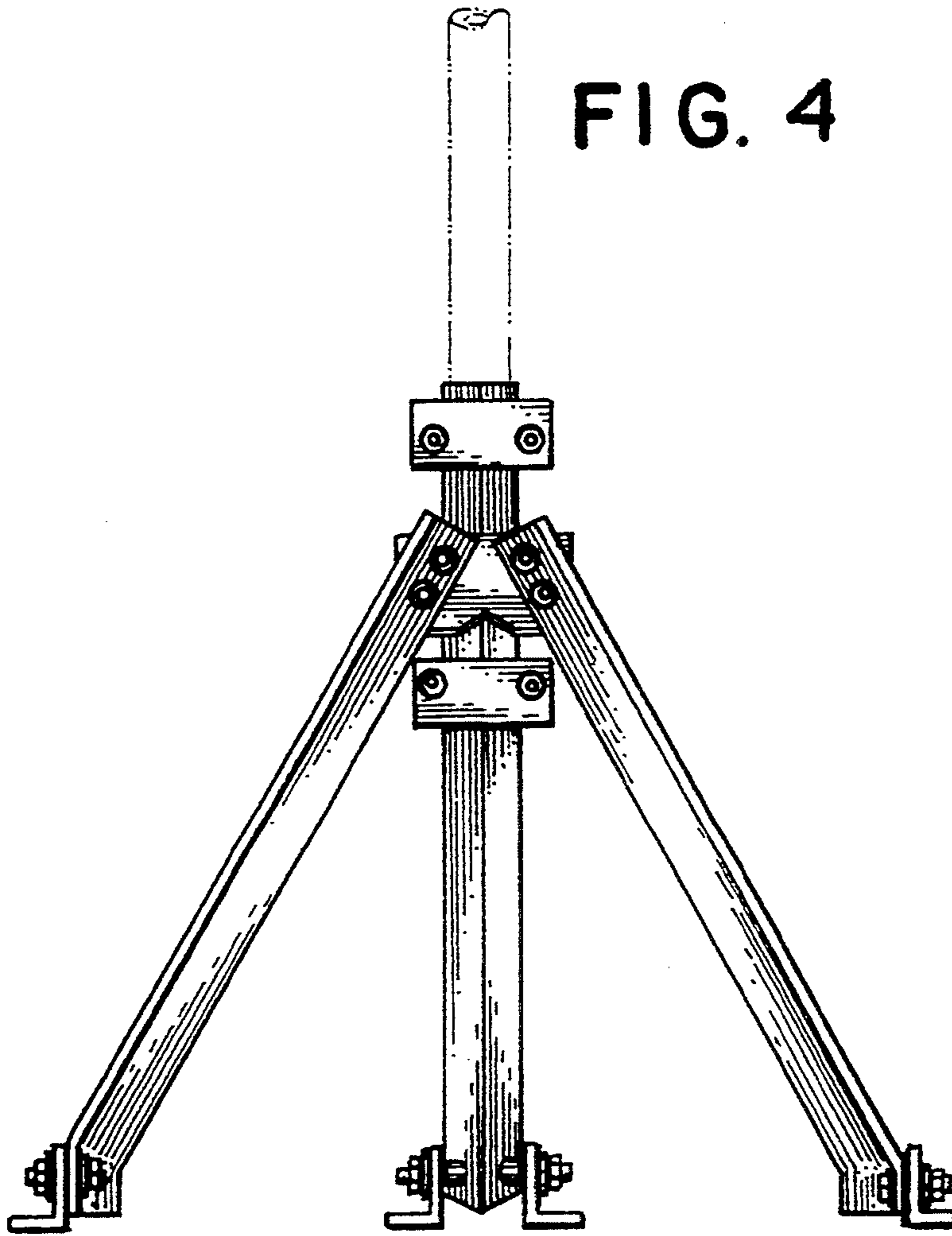


FIG. 5

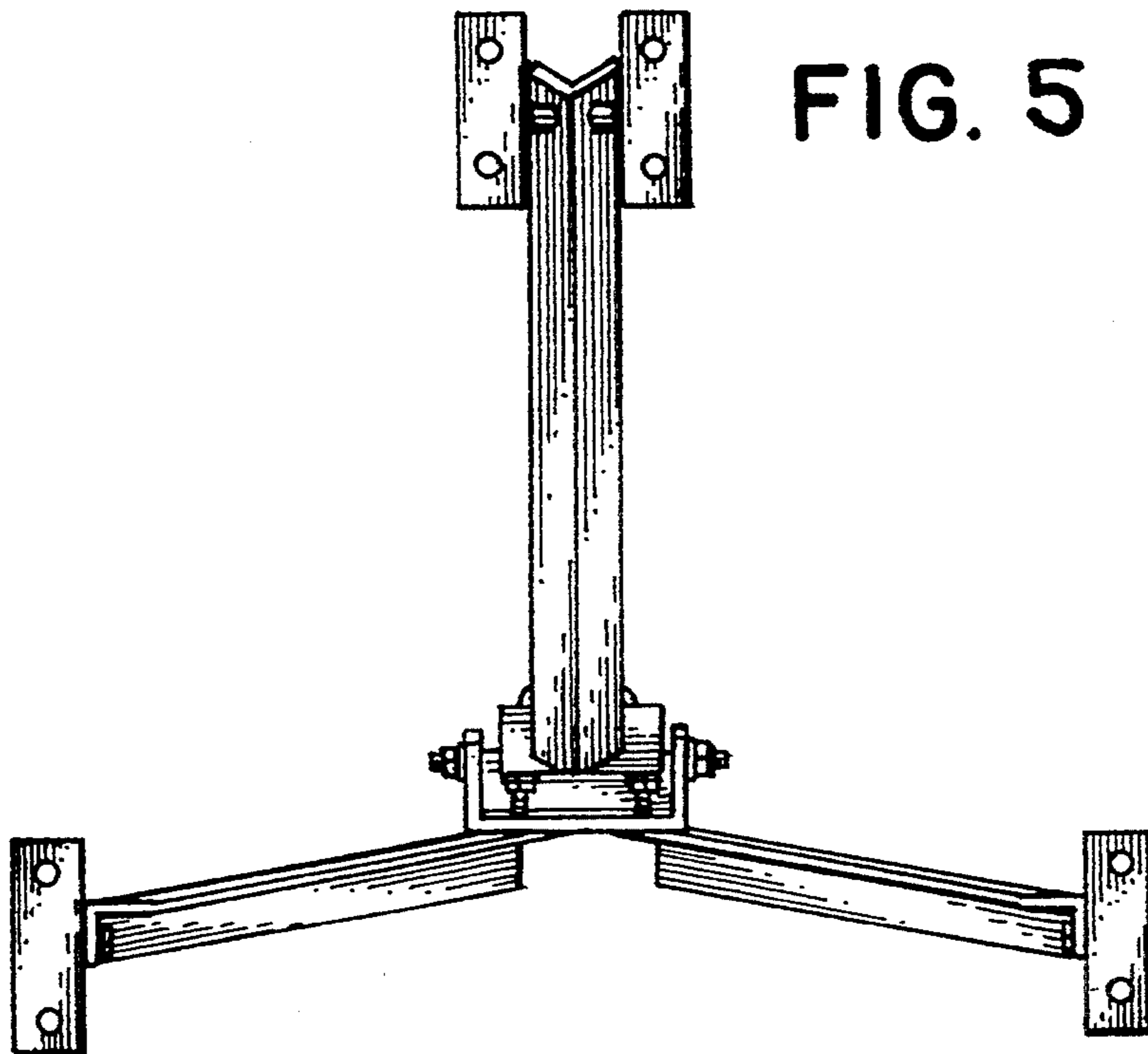




FIG. 6

